

Clash Publish



Clash Computation Specification			
Products Selected		Value	Status
AT632803MQ - FRAME + ALIGNMENT BAR EIL4, SIDE A, SECTOR 1	AT602342MQ - MCB MUON BARREL CHAMBERS DETAILED - SECTOR 16	-721.4 mm	Not inspected
	NMC_0017 - MEI, CSC CHAMBERS - SIMPLIFIED 3-D OBJECT	-39.9 mm	Not inspected
	NMA_0001 - BARREL PROJECTIVE ALIGNMENT. - SIMPLE 3-D MODEL. SECTOR 1	-82.9 mm	Not inspected
	NMA_0009 - END CAP ALIGNMENT SIDE "A". - SIMPLE 3-D MODEL	-99.2 mm	Not inspected
	NTB_0003 - TB WARM STRUCTURE - SIMPLIFIED 3-D OBJECT	-288.9 mm	Not inspected
	NTB_0001 BT16 - TB STANDARD COIL - SECTOR 16	-83.9 mm	Not inspected
	NTB_0001 BT2 - TB STANDARD COIL - SECTOR 2	-9.8 mm	Not inspected

Computation Result:

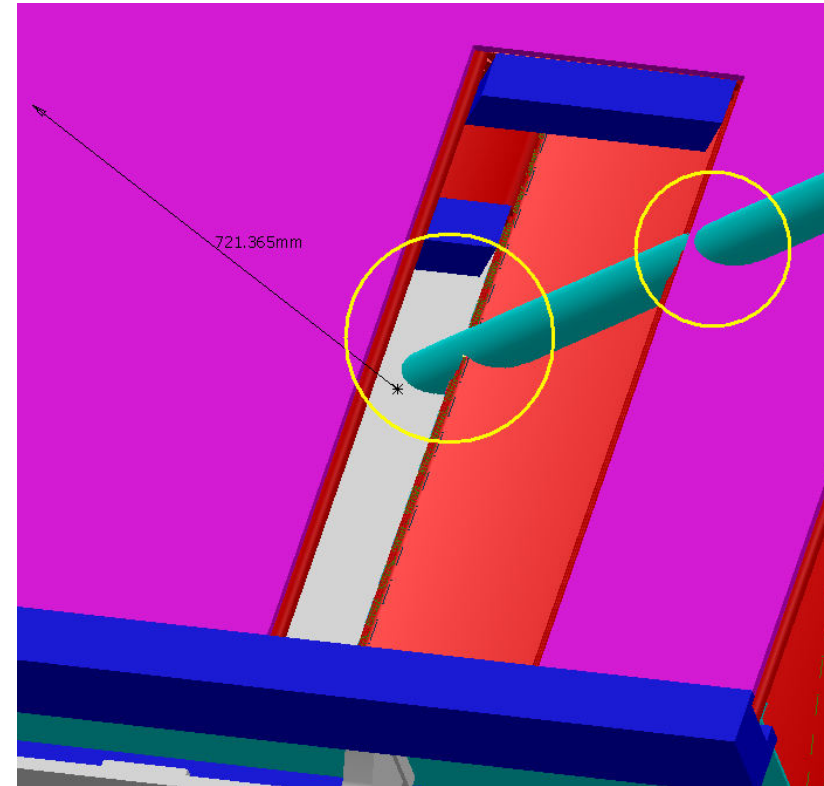
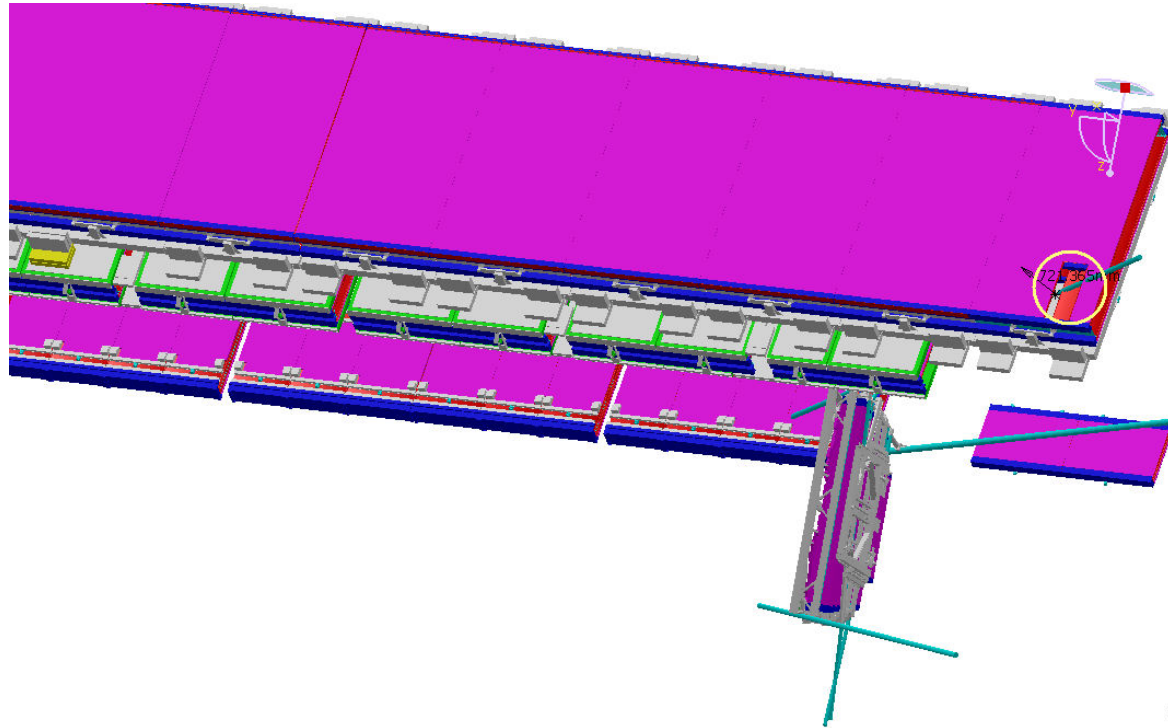
AT632803MQ - FRAME +
ALIGNMENT BAR EIL4, SIDE A,
SECTOR 1

AT602342MQ - MCB MUON BARREL CHAMBERS
DETAILED - SECTOR 16

Clash

-721.4 mm

Not inspected

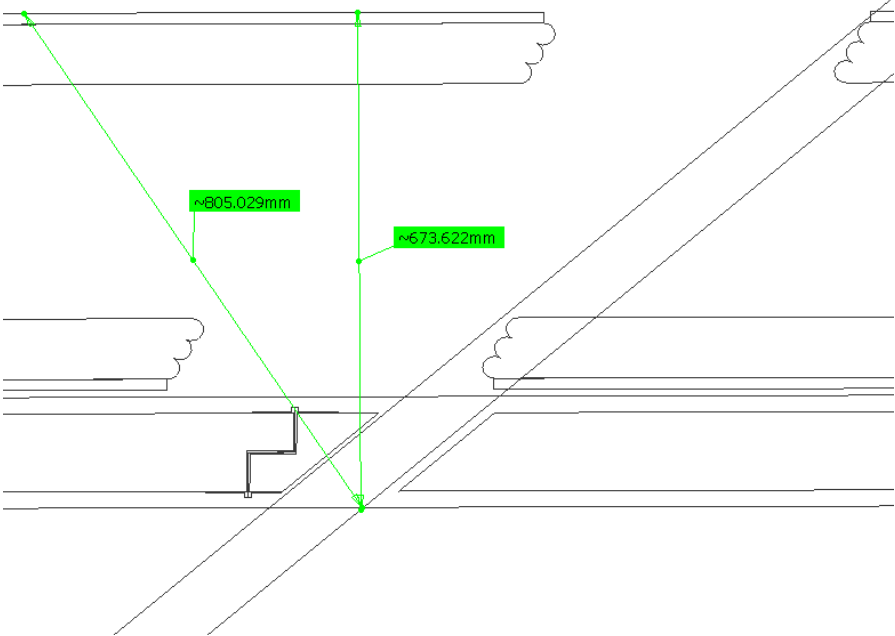
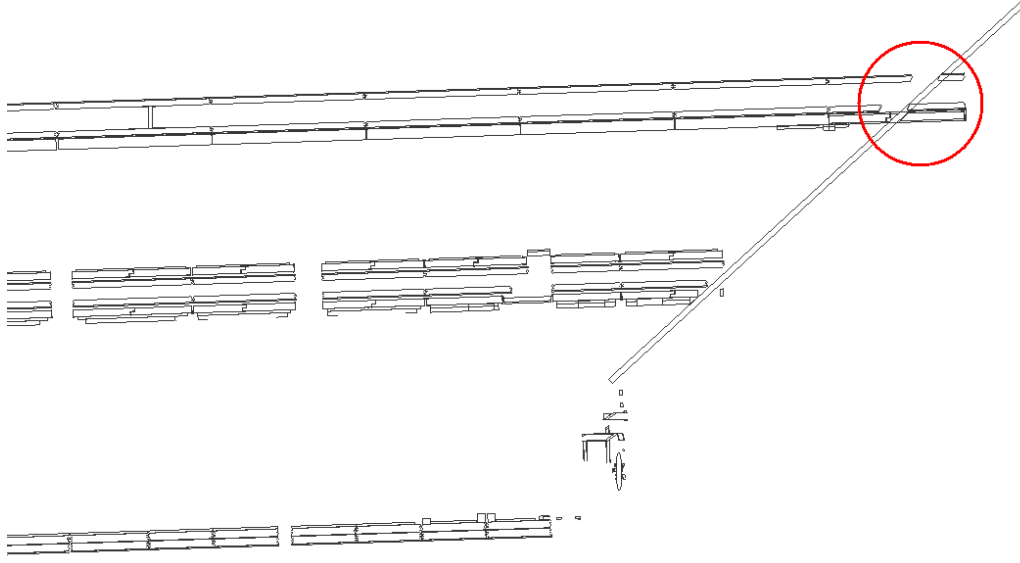
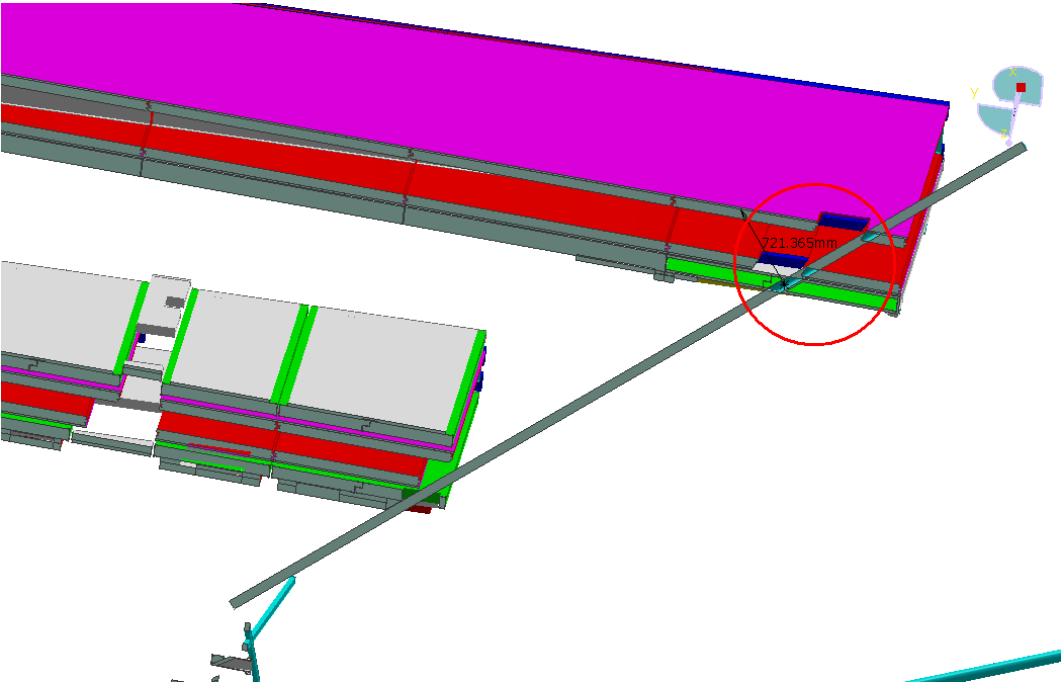


Clash value: ~ 721.4 mm

SIDE A

Sector 1

Clash View:



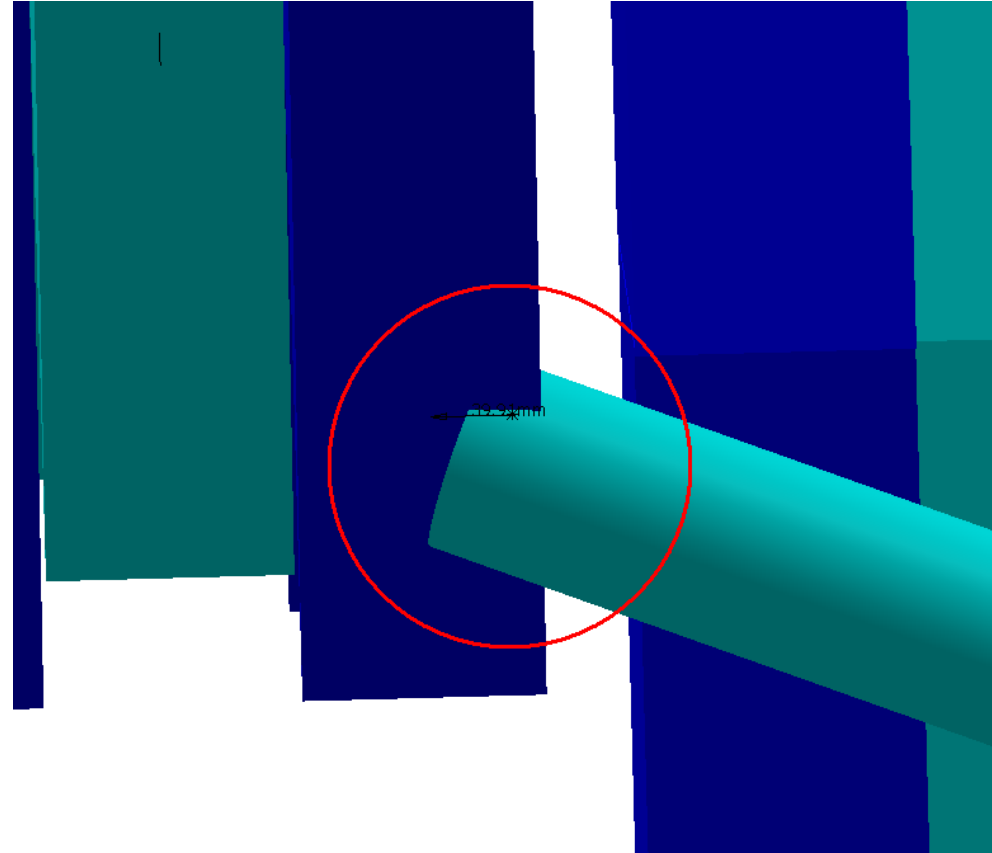
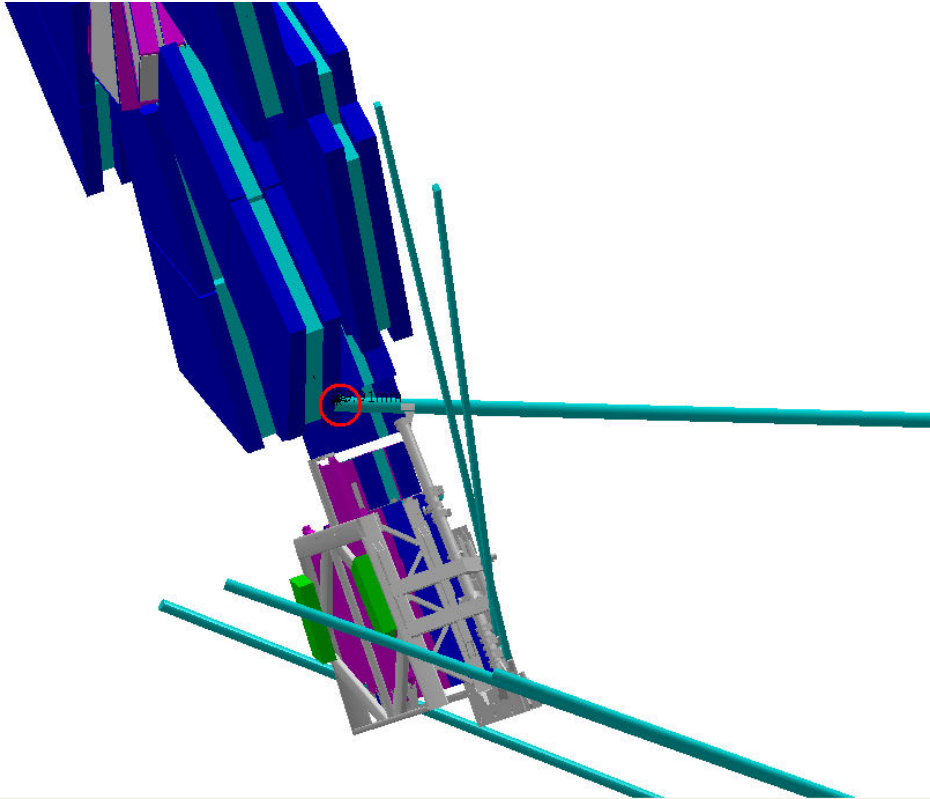
AT632803MQ - FRAME +
ALIGNMENT BAR EIL4, SIDE A,
SECTOR 1

NMC_0017 - MEI, CSC CHAMBERS - SIMPLIFIED
3-D OBJECT

Clash

-39.9 mm

Not inspected

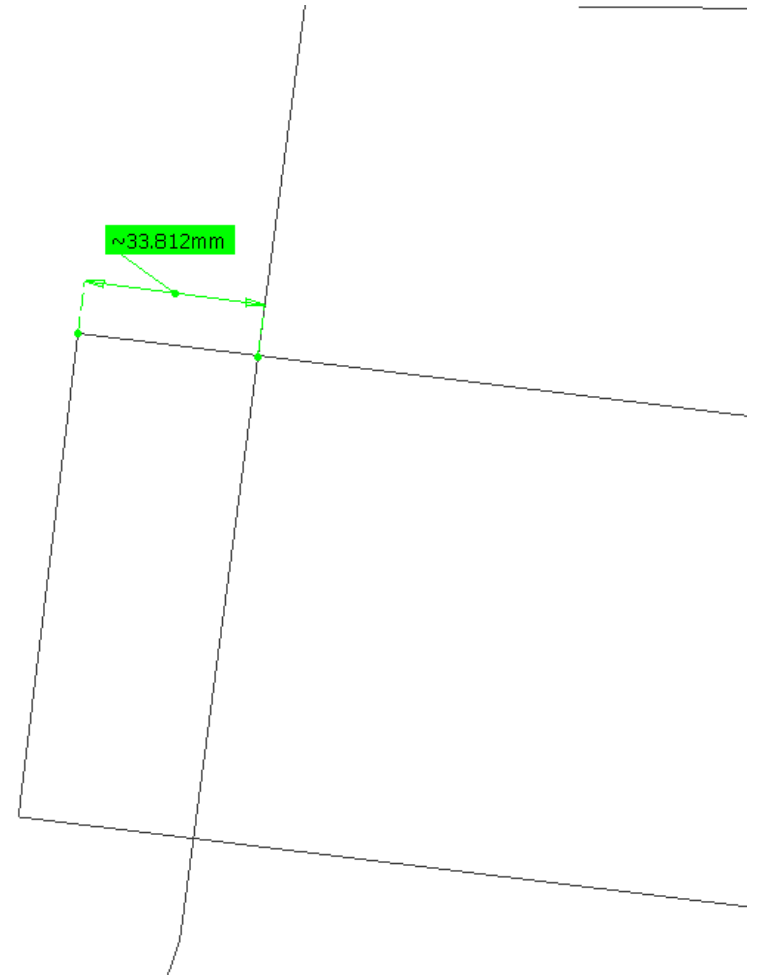
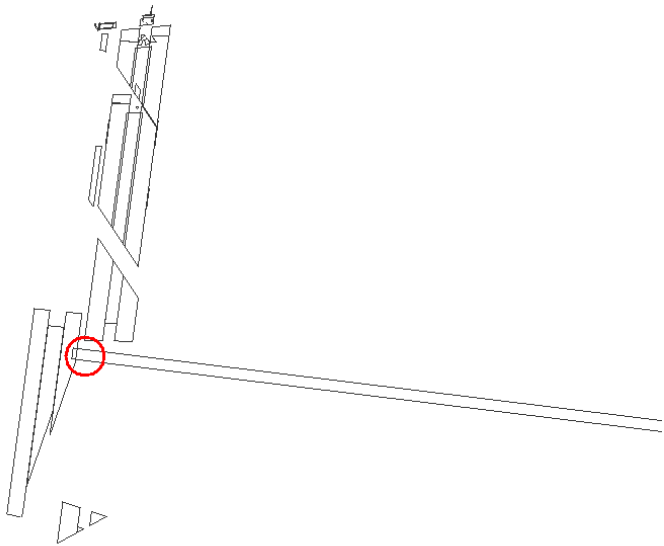
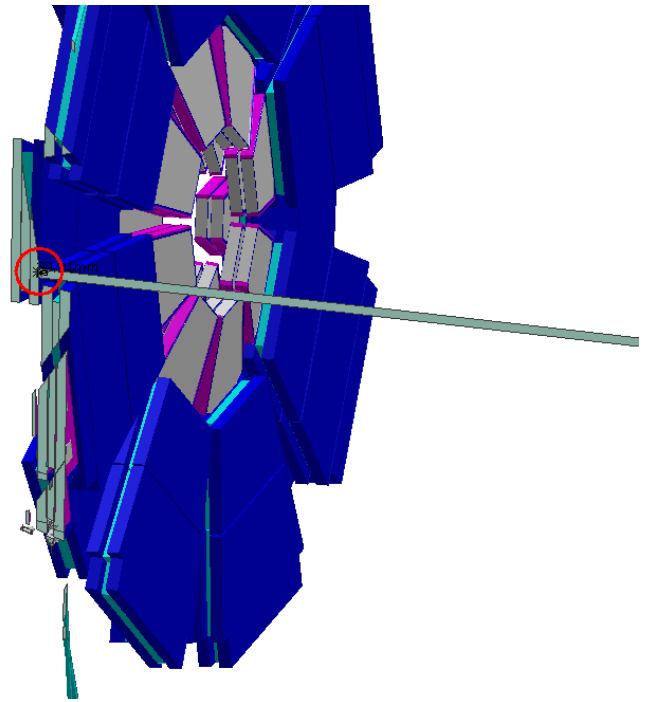


Clash value: ~ 39.9 mm

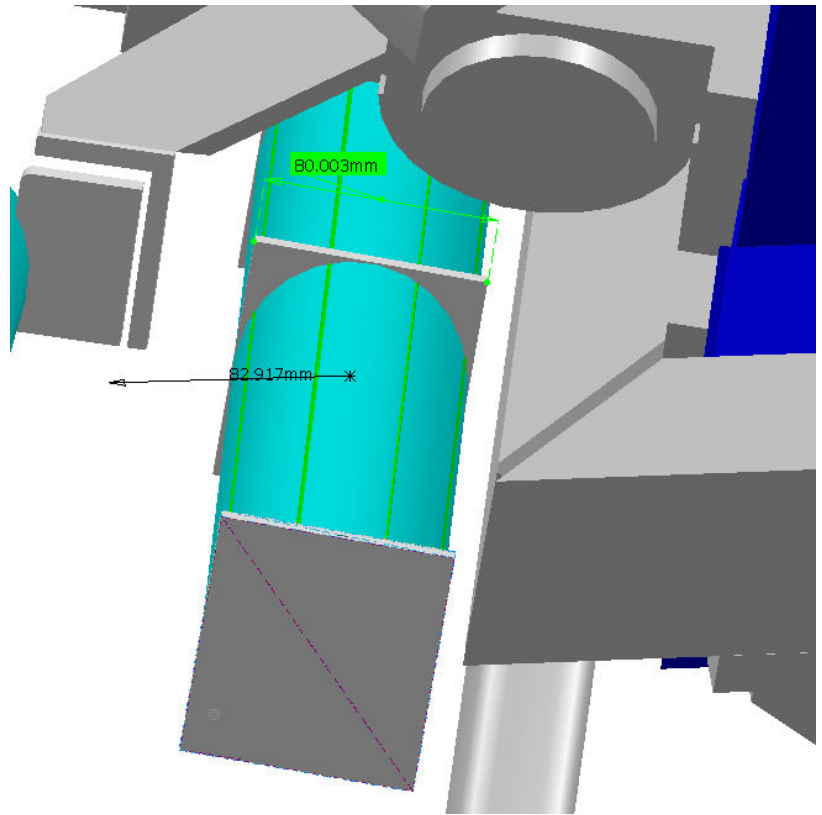
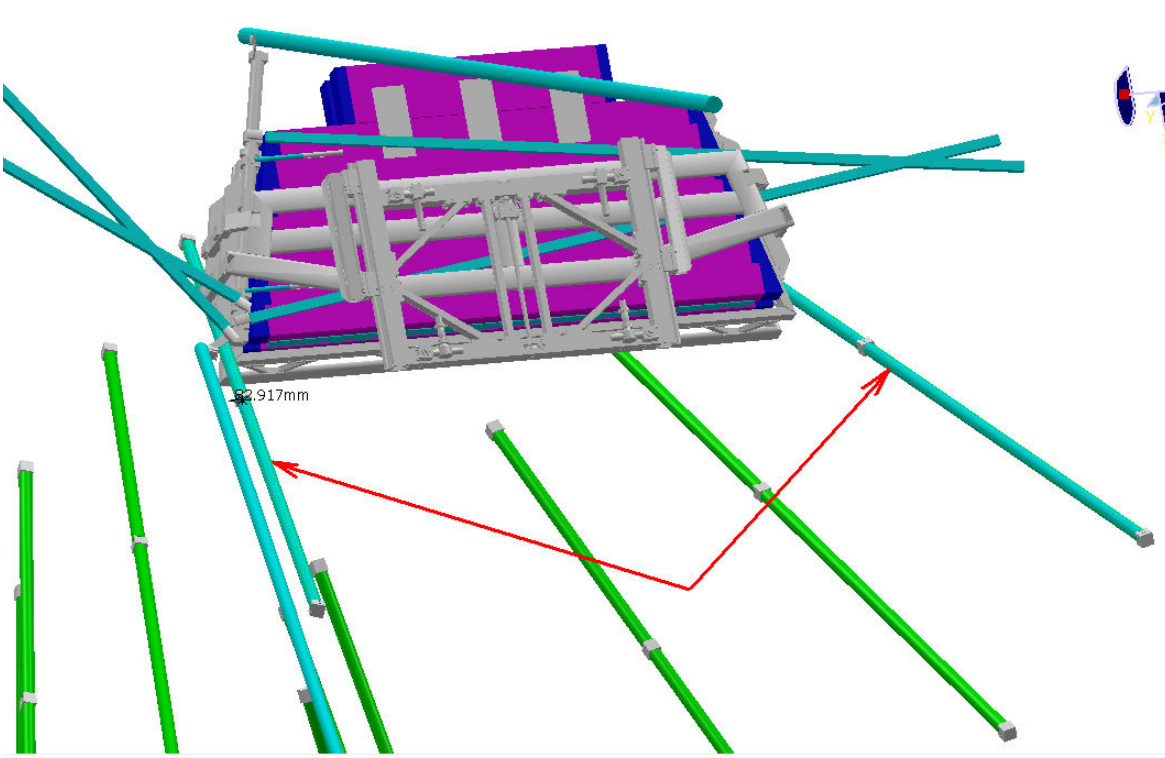
SIDE A

Sector 1

Clash View:



AT632803MQ - FRAME + ALIGNMENT BAR EIL4, SIDE A, SECTOR 1	NMA_0001 - BARREL PROJECTIVE ALIGNMENT. - SIMPLE 3-D MODEL. SECTOR 1	Clash	-82.9 mm	Not inspected
---	---	-------	----------	---------------



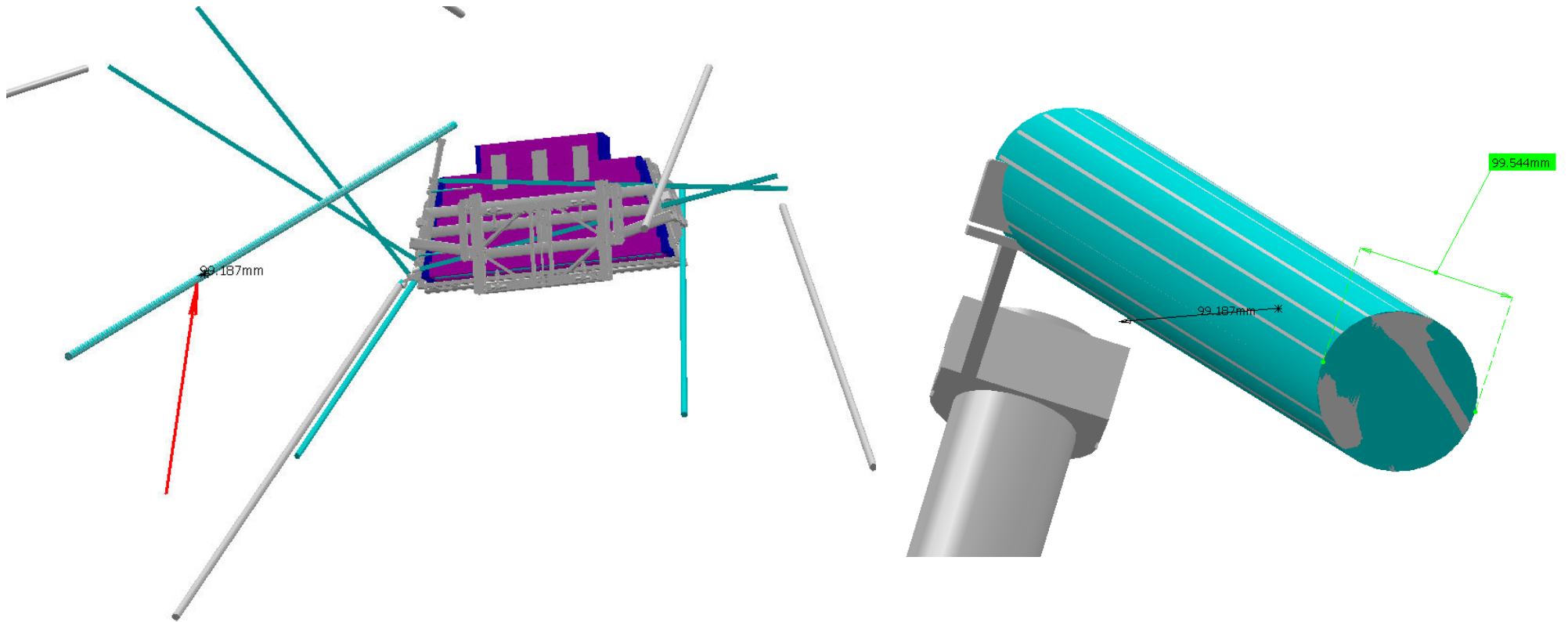
Clash value: ~ 82.9 mm

SIDE A

Sector 1

The indicated pipes belong to the both models

AT632803MQ - FRAME + ALIGNMENT BAR EIL4, SIDE A, SECTOR 1	NMA_0009 - END CAP ALIGNMENT SIDE "A". - SIMPLE 3-D MODEL	Clash	-99.2 mm	Not inspected
---	--	-------	----------	---------------



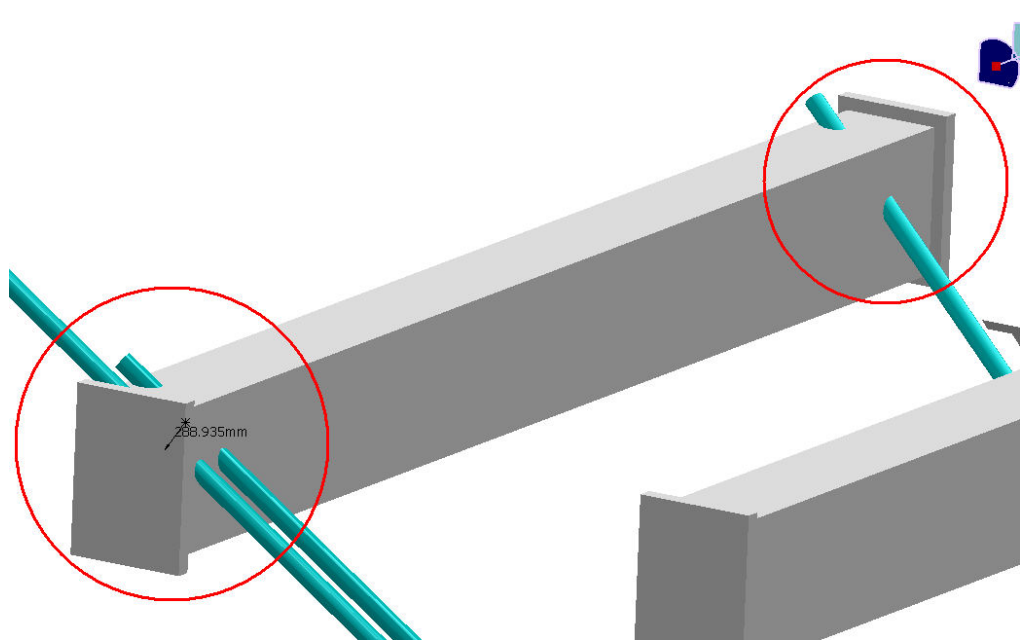
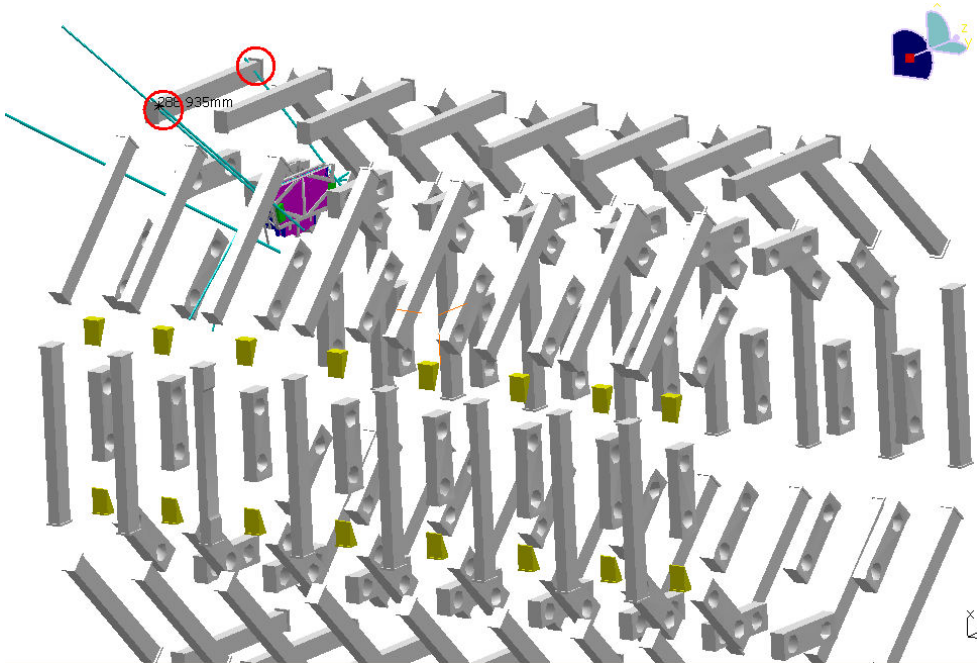
Clash value: ~ 99.2 mm

SIDE A

Sector 1

The indicated pipe belongs to the both models

AT632803MQ - FRAME + ALIGNMENT BAR EIL4, SIDE A, SECTOR 1	NTB_0003 - TB WARM STRUCTURE - SIMPLIFIED 3- D OBJECT	Clash	-288.9 mm	Not inspected
---	--	-------	-----------	---------------



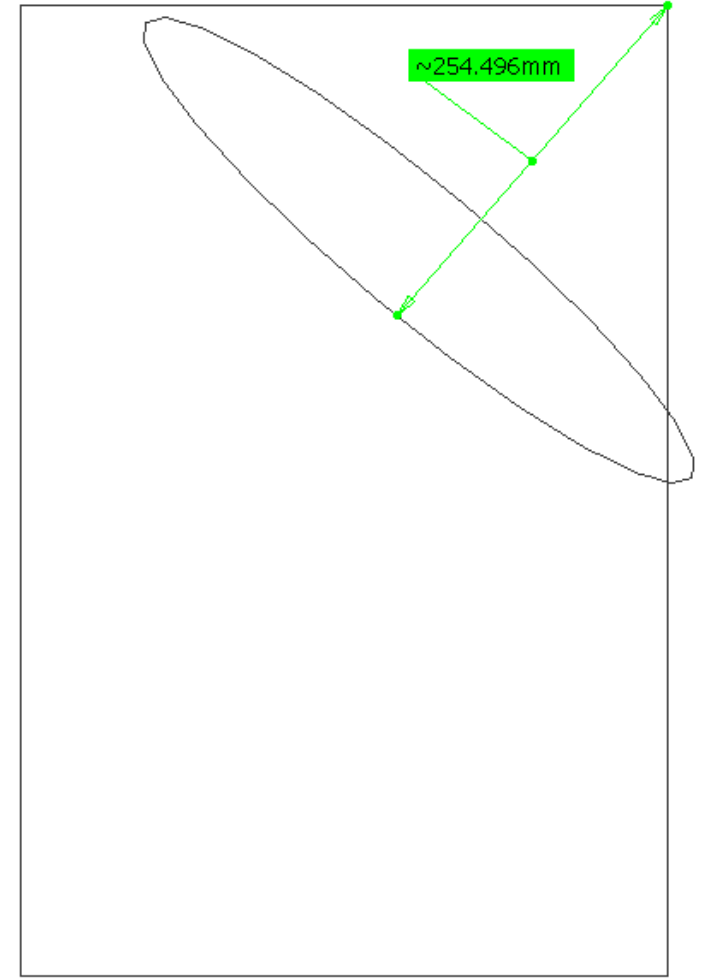
Clash value: ~ 288.9 mm

SIDE A

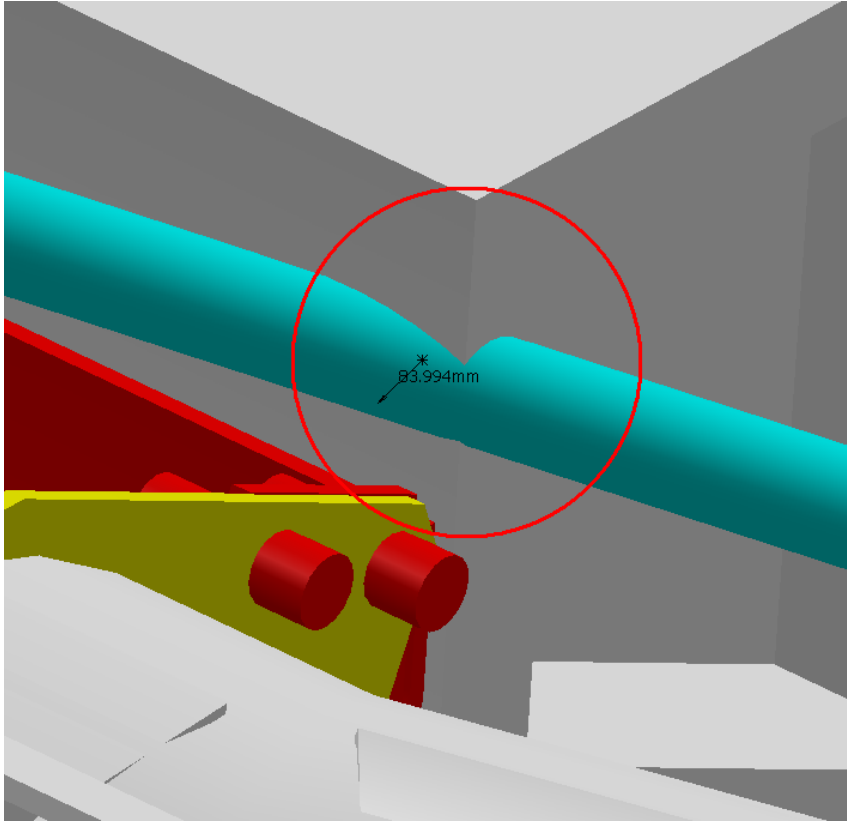
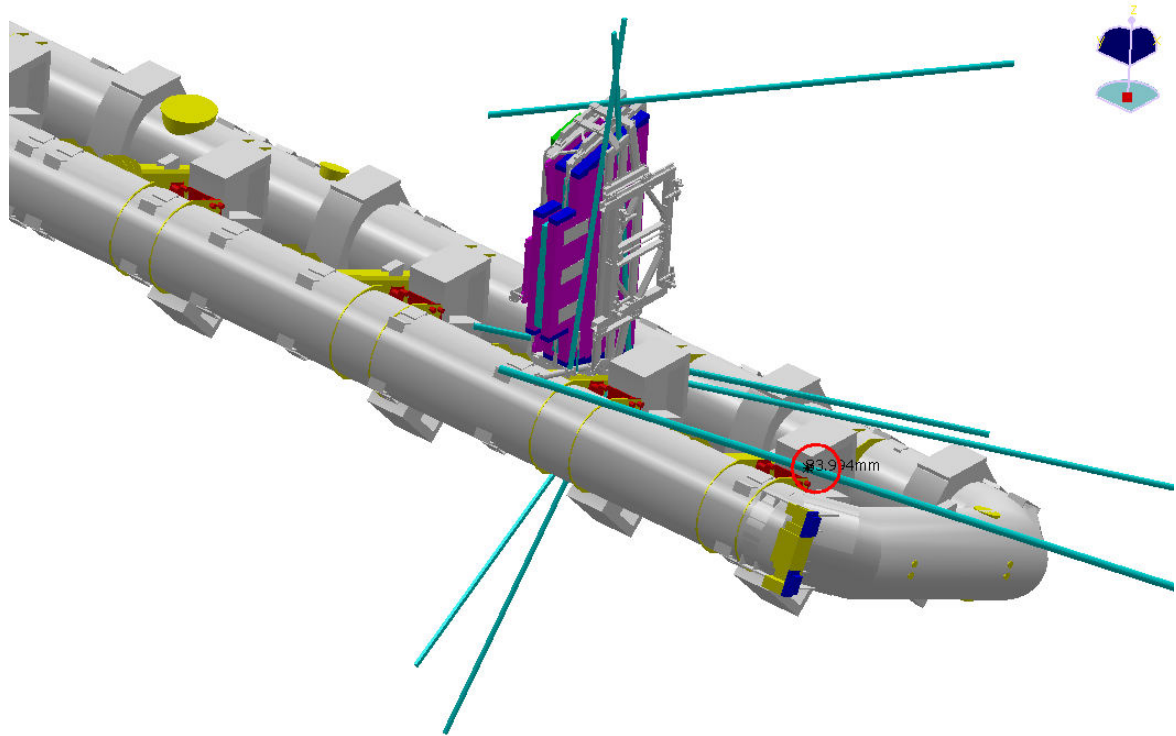
Sector 1



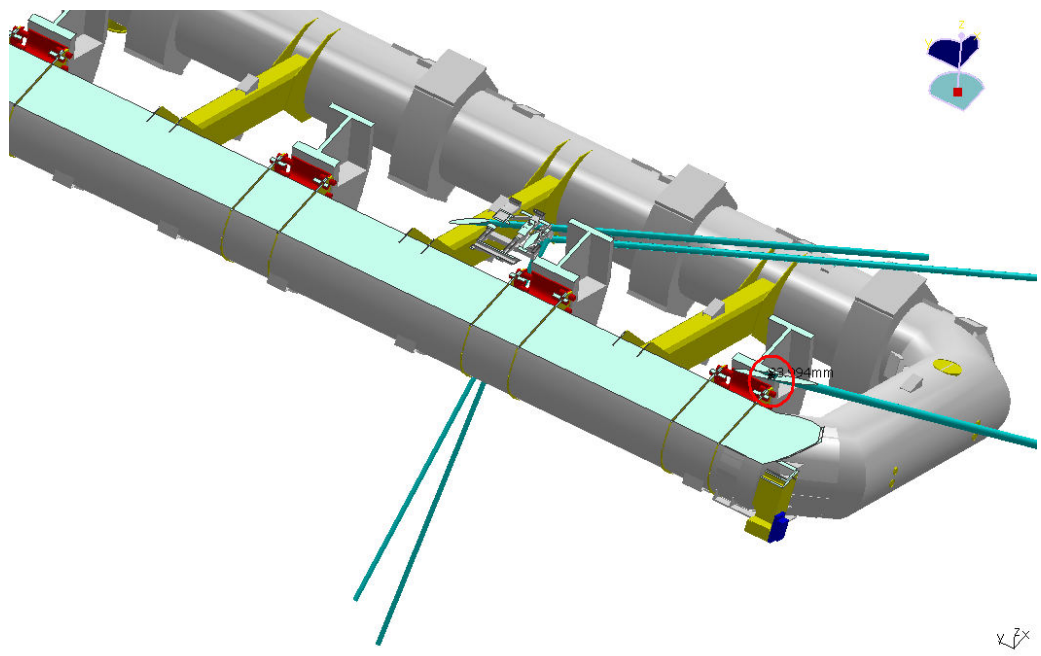
Clash View:



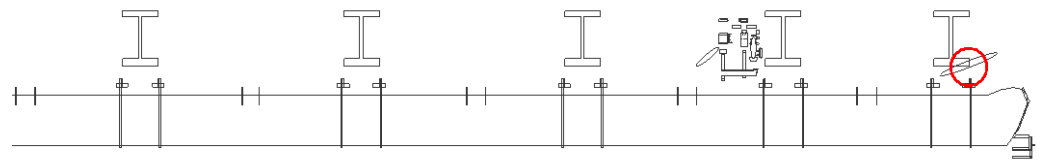
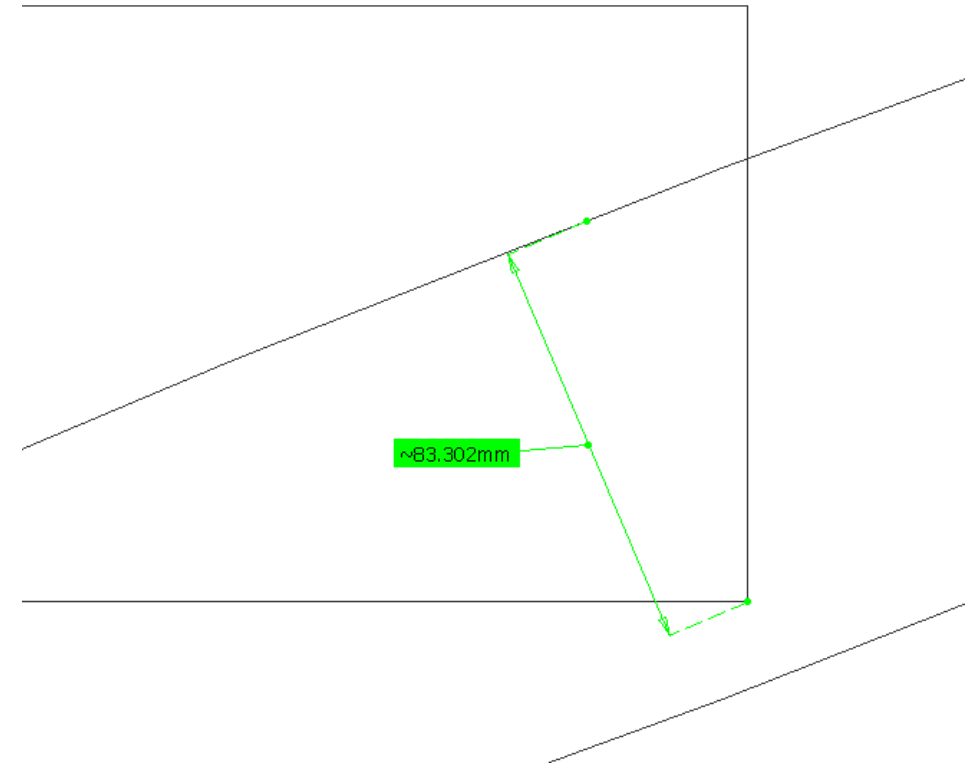
AT632803MQ - FRAME + ALIGNMENT BAR EIL4, SIDE A, SECTOR 1	NTB_0001 BT16 - TB STANDARD COIL - SECTOR 16	Clash	-83.9 mm	Not inspected
---	--	-------	----------	---------------



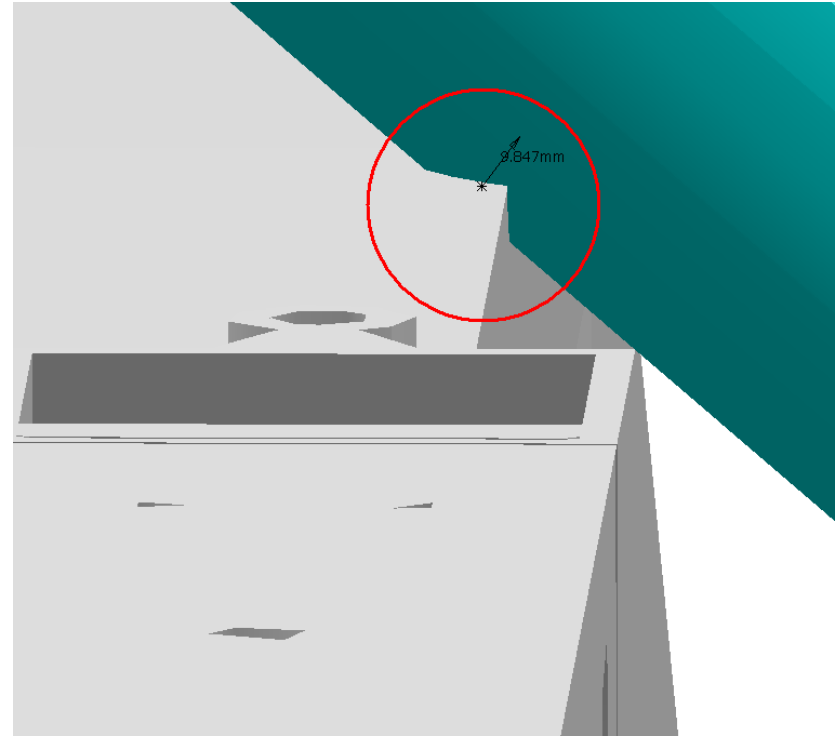
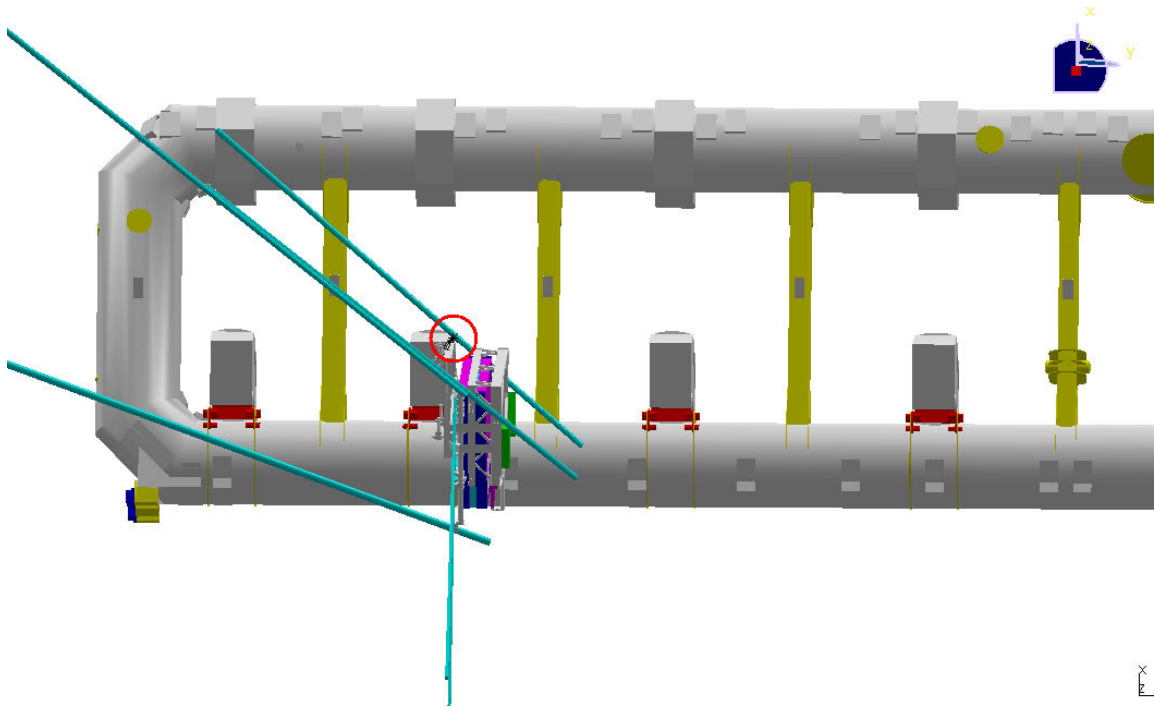
Clash value: ~ 83.9 mm
SIDE A
Sector 1



Clash View:



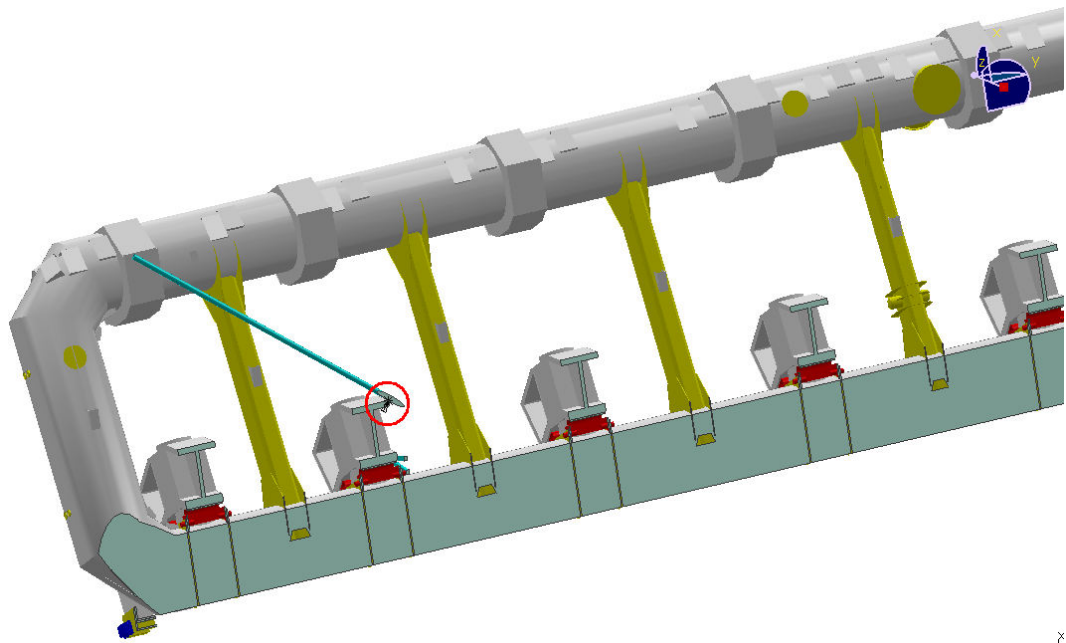
AT632803MQ - FRAME + ALIGNMENT BAR EIL4, SIDE A, SECTOR 1	NTB_0001 BT2 - TB STANDARD COIL - SECTOR 2	Clash	-9.8 mm	Not inspected
---	--	-------	---------	---------------



Clash value: ~ 9.8 mm

SIDE A

Sector 1



Clash View:

