

# Clash Publish

## Clash Computation Specification

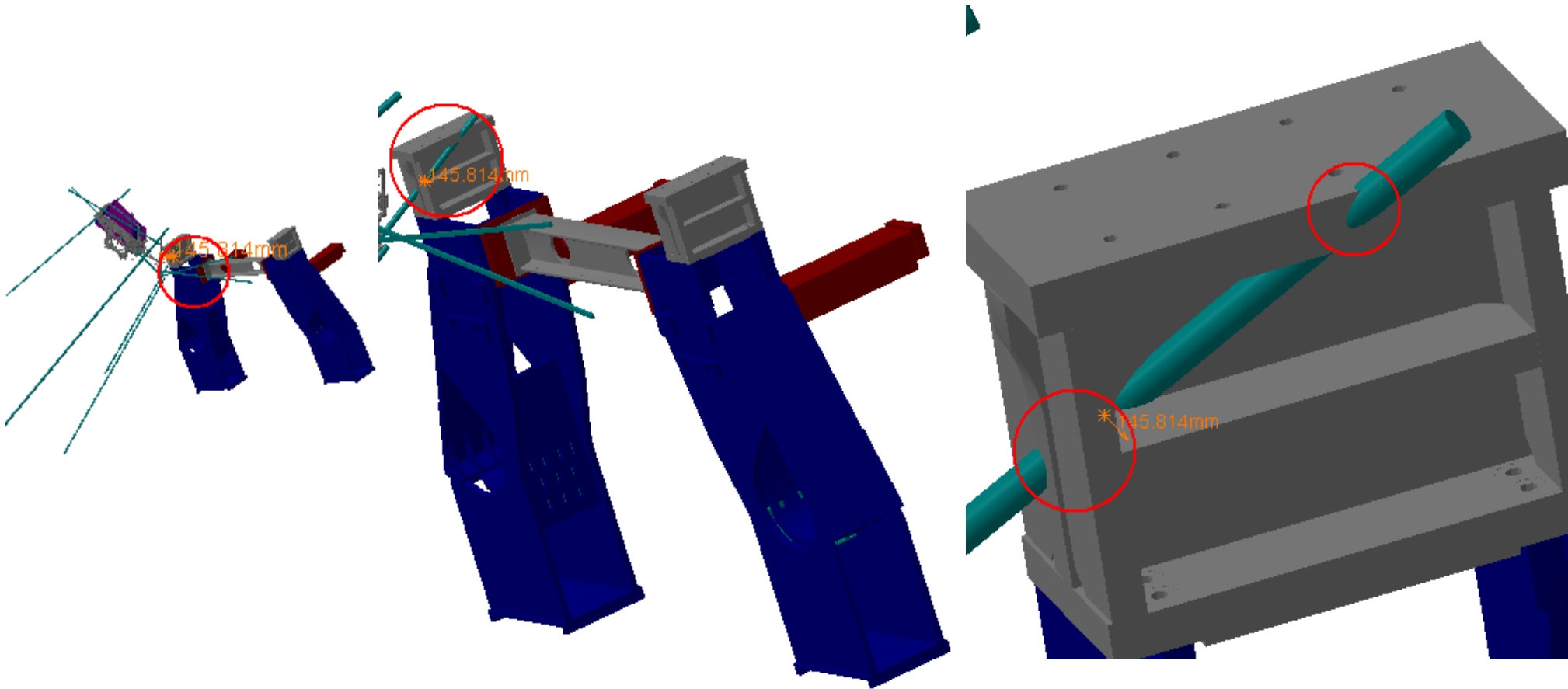
### Products Selected



AT632635 MQ Alignment BAR EIL4, Side C, Sector 15	ATCVHB_0003 M STANDARD PAIR OF FEET A2 (C2) - DETAILED MODEL FOR ANDARDS	-145.81	Not inspected
	ATCVHB_0004 M STANDARD PAIR OF FEET A3 (C3) - DETAILED MODEL FOR TANDARDS	-23.35	Not inspected
	ATCVHB_0005 M EXTREMITY PAIR OF FEET A4 (C4) - DETAILED MODEL FOR ANDARDS	-205.44	Not inspected
	ATCNJ_0003 JD SHIELDING (SIDE C) - WITH TGC MUON CHAMBERS	-42.94	Not inspected
	ATCNMC_0019 MEE CHAMBERS SIDE C - 3D SIMPLIFIED MODEL	-72.66	Not inspected
	ATCNSE_0010 SMALL WHEEL AIR-PAD CHAIN - IN 2 POSITIONS	-10.77	Not inspected
	ATCNTB_0003 TB WARM STRUCTURE - SIMPLIFIED 3-D OBJECT	-246.43	Not inspected
	ATCNTB_0007 TB FEET COIL - SECTOR 14	-83.76	Not inspected
	ATCNTB_0001 BT16 TB STANDARD COIL - SECTORS 16	-9.78	Not inspected
	AT602166MQ MCB Muon Barrel Chambers Detailed Sec 14	-530.05	Not inspected
	AT592057 MQ SW outer Chains	-68.04	Not inspected
ATCZ5_0001 Z5 GLOBAL ENVELOPE (SIDE C) - AND LOCATION INTERFACES <b>UNDER CONSTRUCTION</b>	----	---	

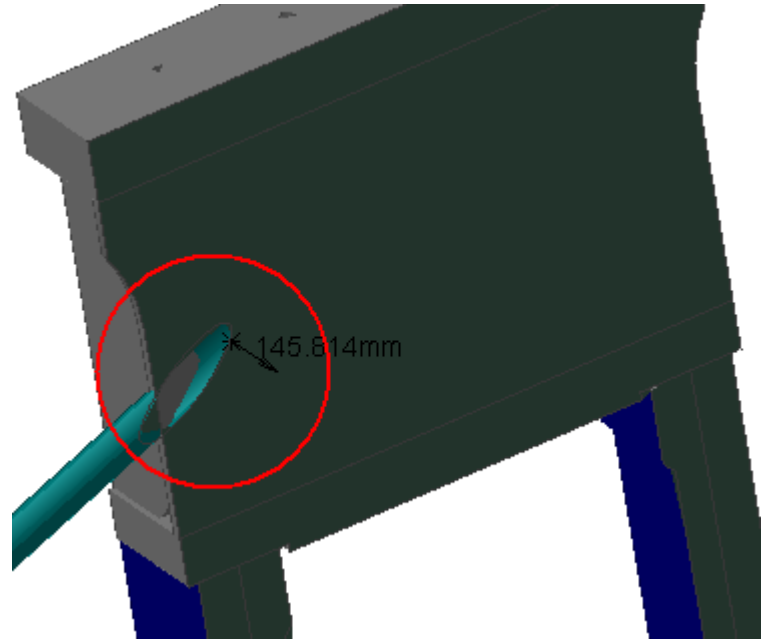
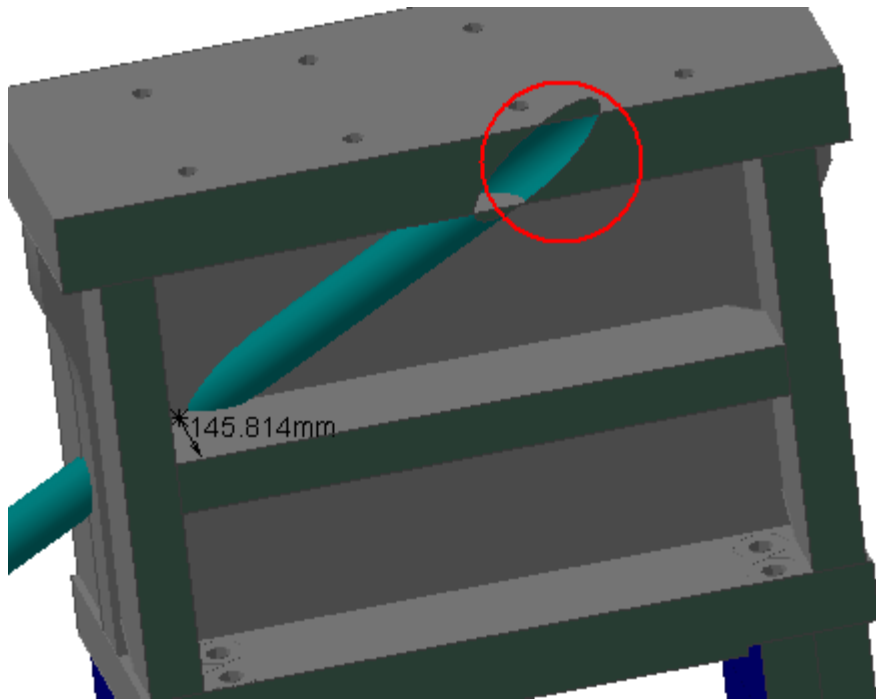
**Computation Result:**

AT632635 MQ Alignment BAR EIL4, Side C, Sector 15	ATCVHB_0003 M STANDARD PAIR OF FEET A2 (C2) - DETAILED MODEL FOR ANDARDS	Clash	-145.81mm	Not inspected
--	--	-------	-----------	---------------

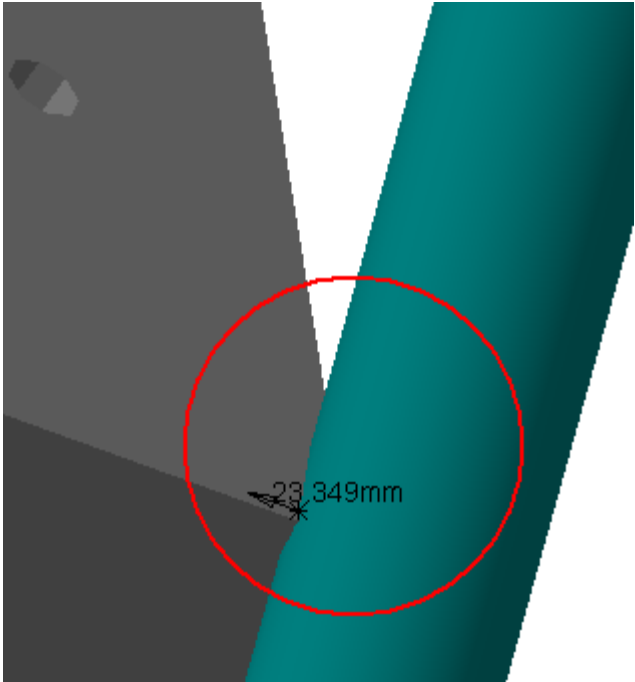
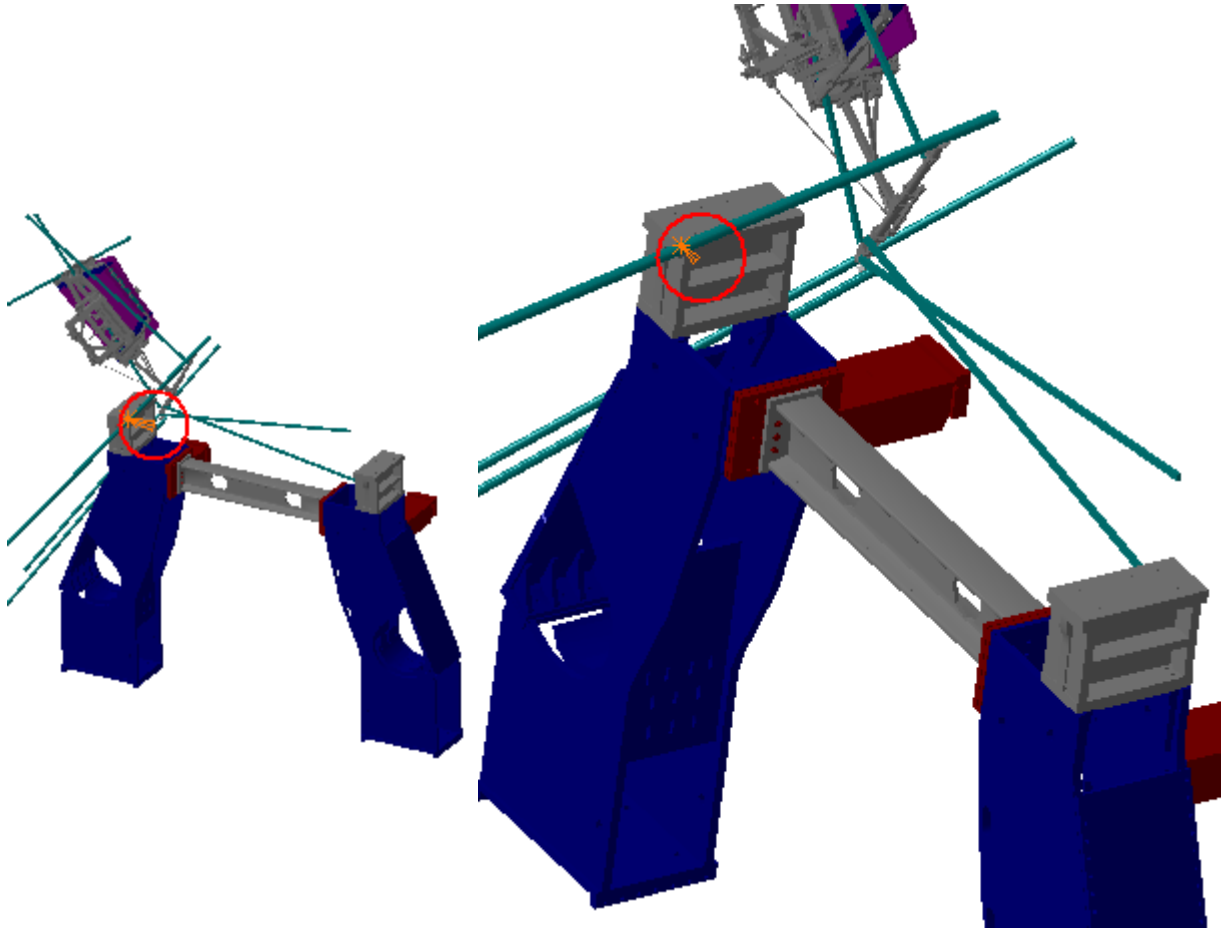


Side C  
Sector 15

# Clash View 1:

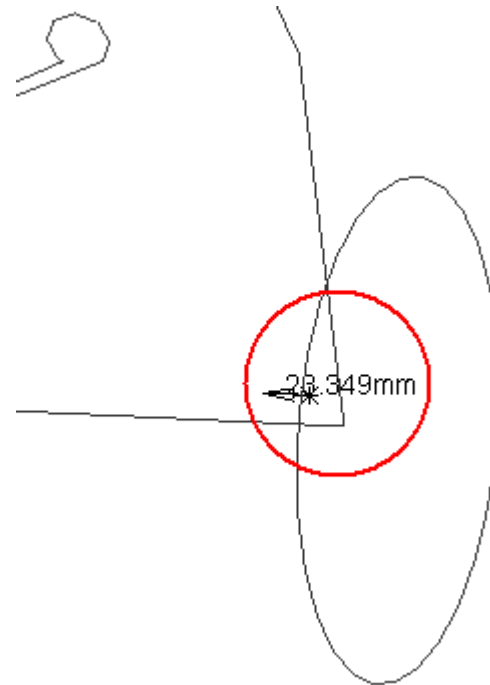
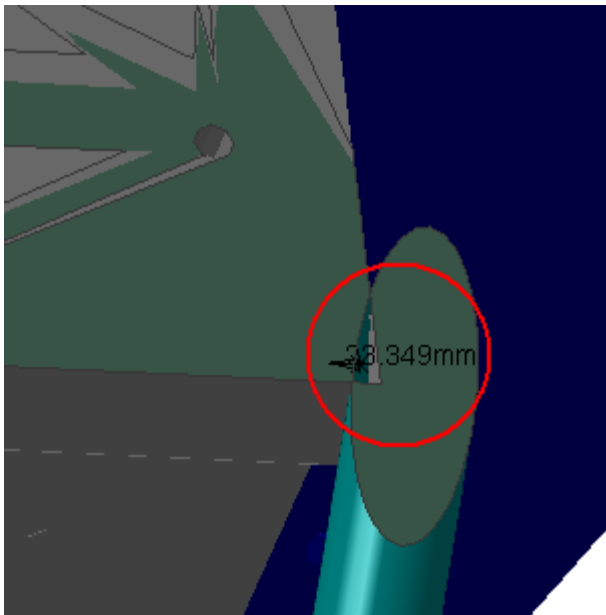


AT632635 MQ Alignment BAR EIL4, Side C, Sector 15	ATCVHB_0004 M STANDARD PAIR OF FEET A3 (C3) - DETAILED MODEL FOR TANDARDS	Clash	-23.35mm	Not inspected
--	---	-------	----------	---------------

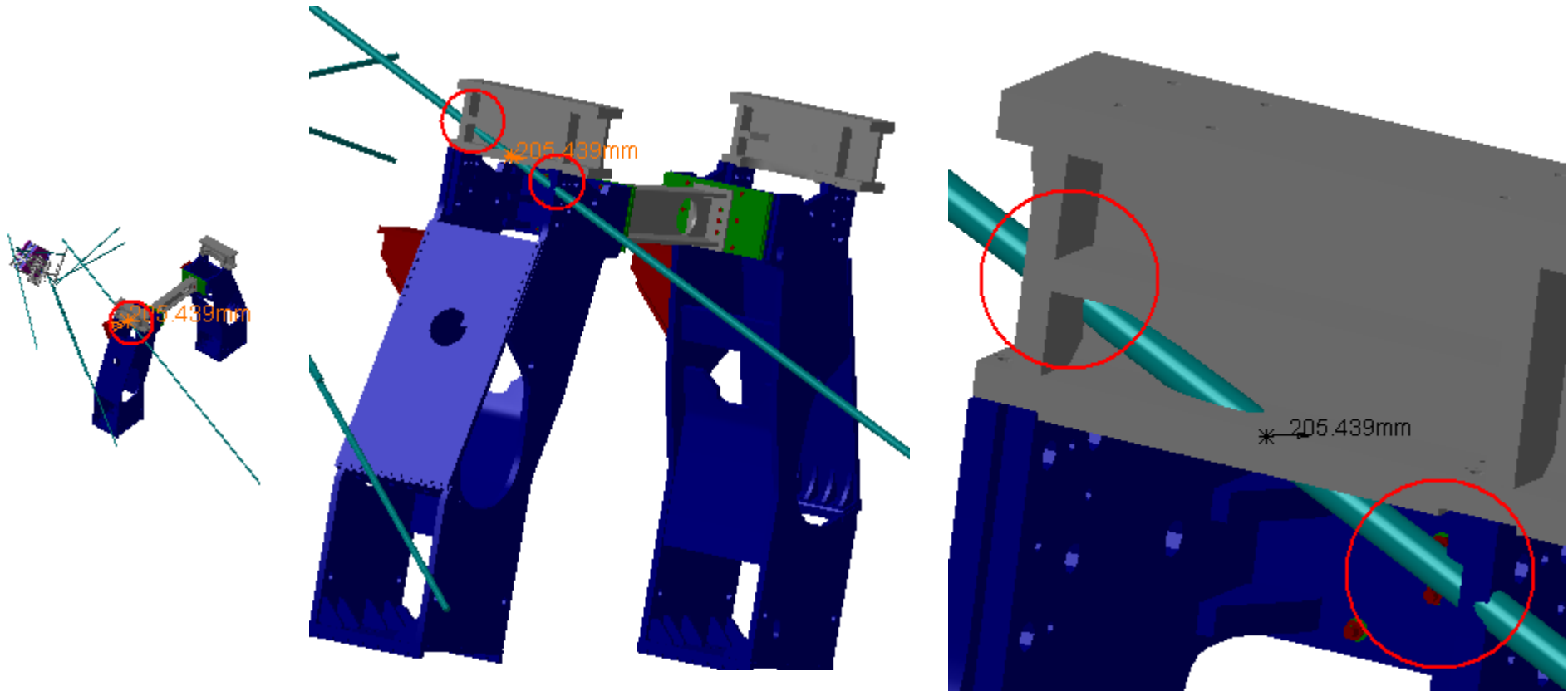


Side C  
Sector 15

# Clash View 1:

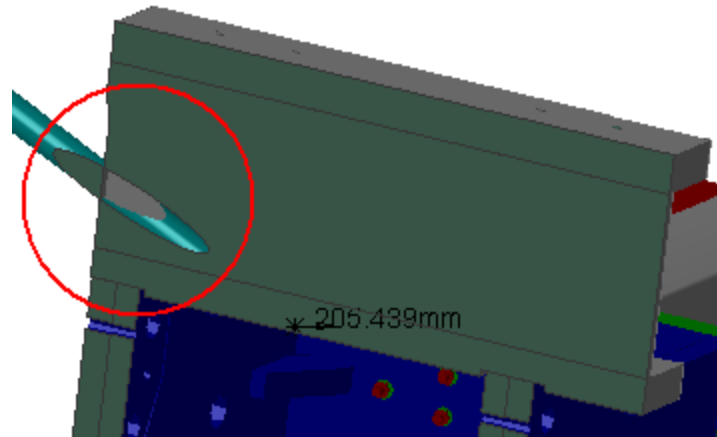
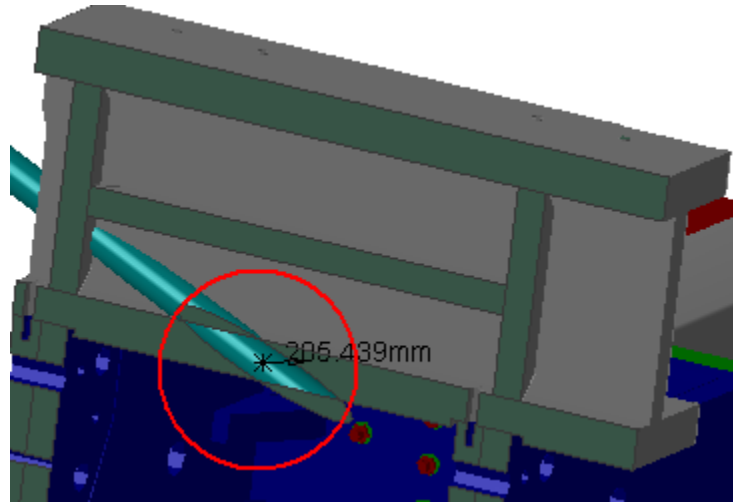
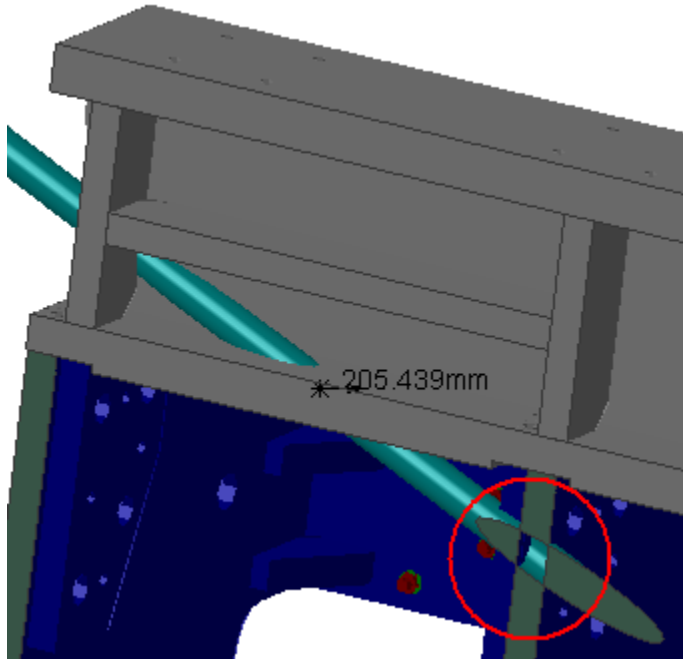


AT632635 MQ Alignment BAR EIL4, Side C, Sector 15	ATCVHB_0005 M EXTREMITY PAIR OF FEET A4 (C4) - DETAILED MODEL FOR ANDARDS	Clash	-205.44mm	Not inspected
--	--	-------	-----------	---------------

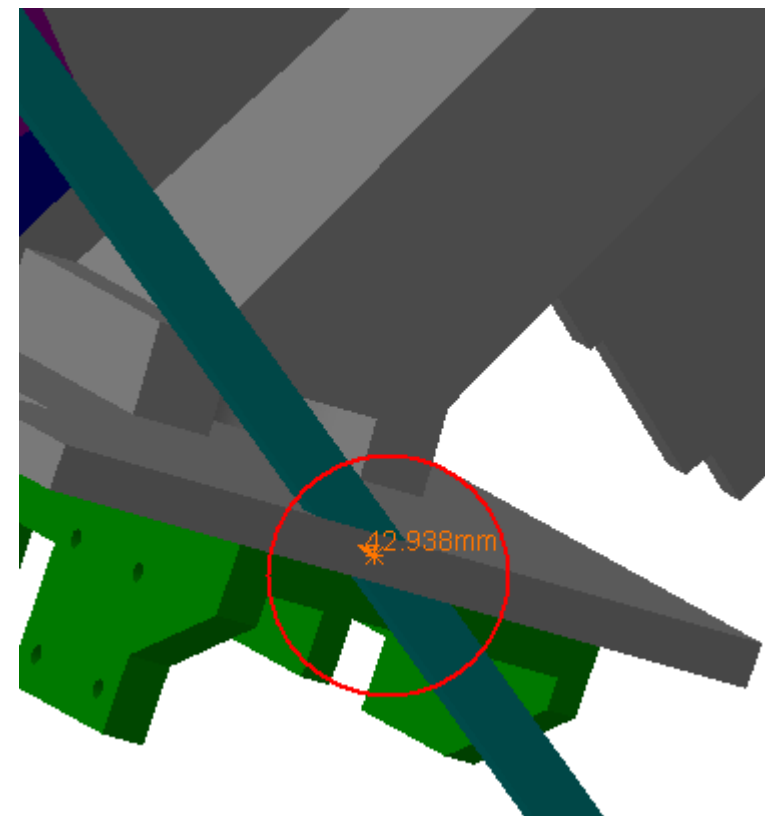
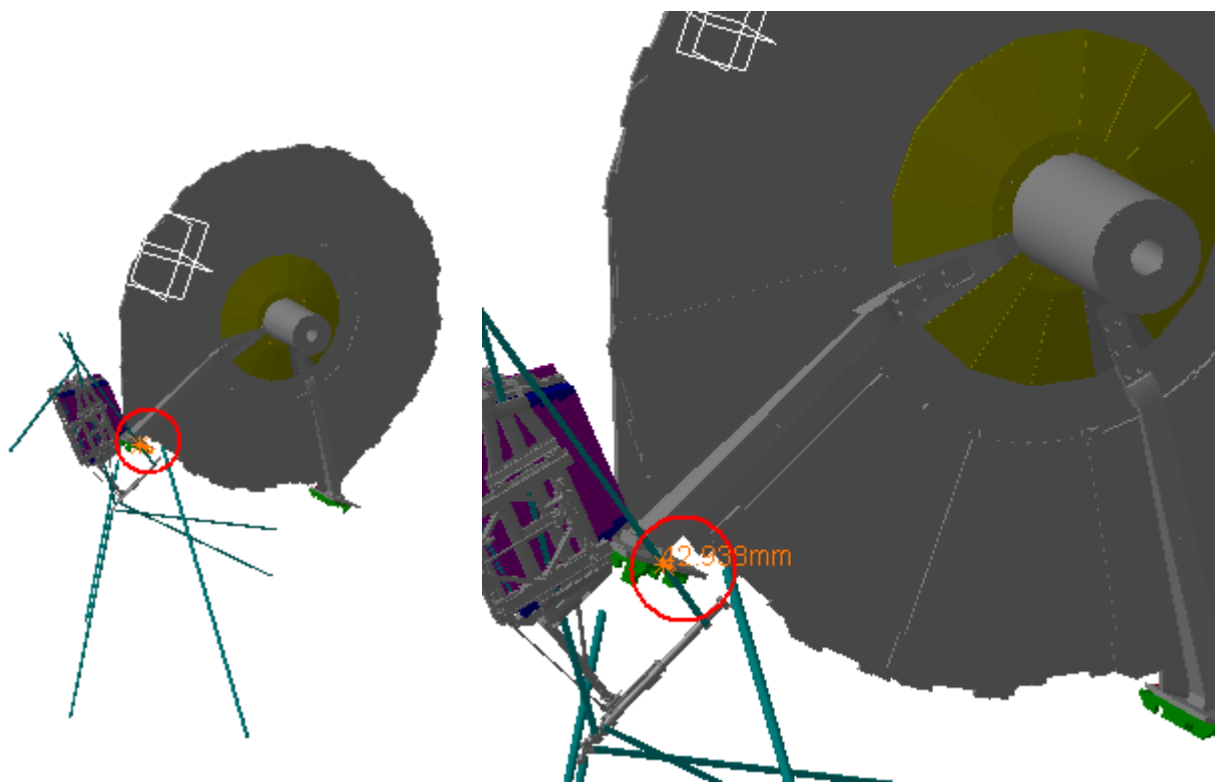


Side C  
Sector 15

# Clash View 1:



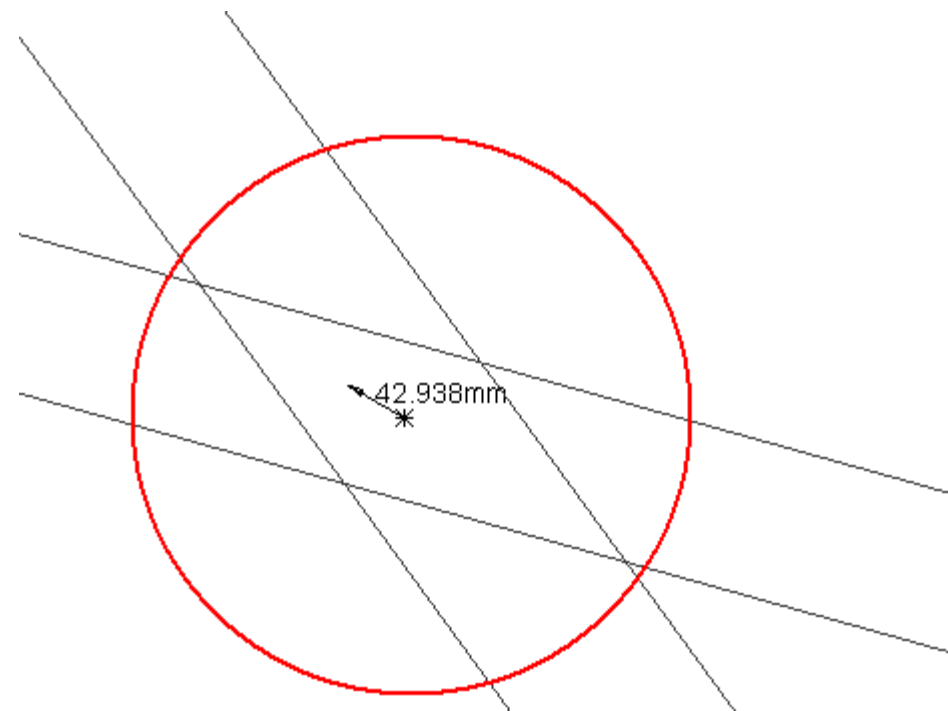
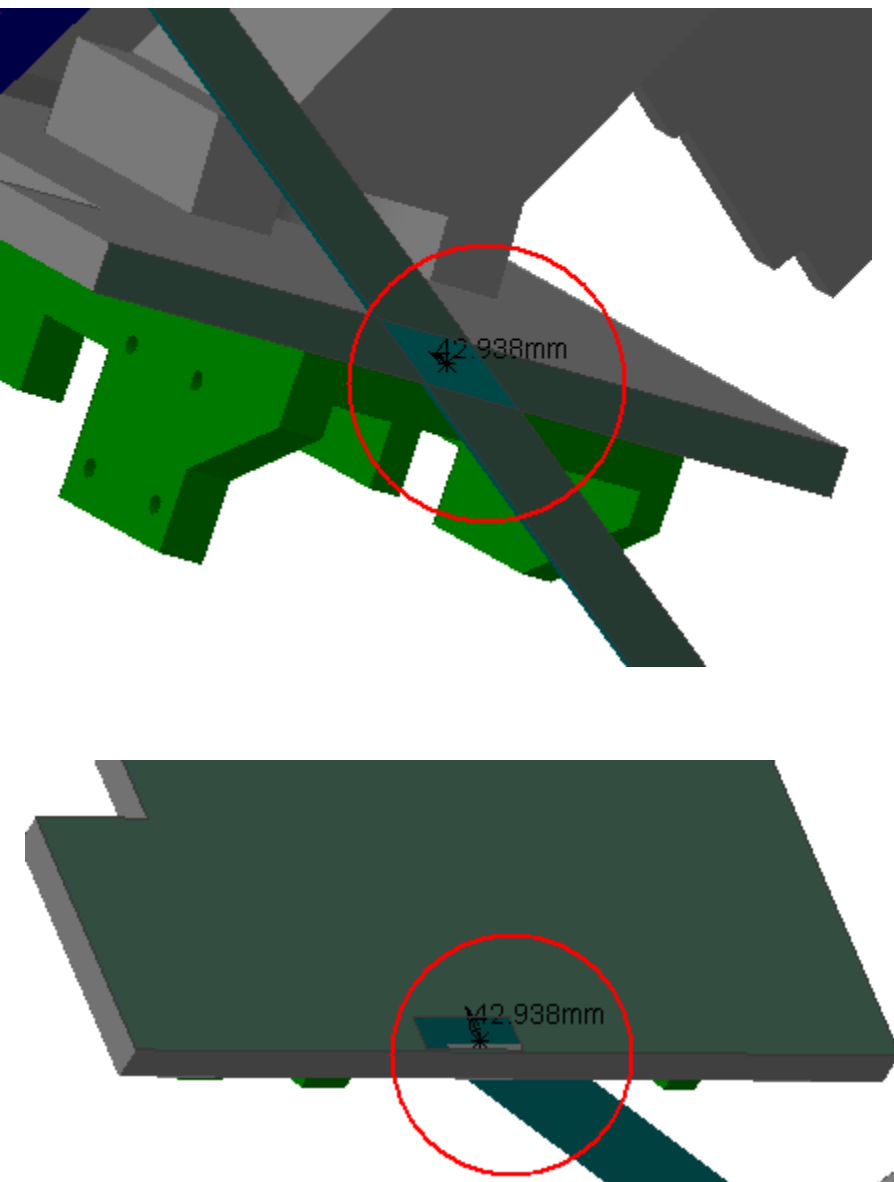
AT632635 MQ Alignment BAR EIL4, Side C, Sector 15	ATCNJ_0003 JD SHIELDING (SIDE C) - WITH TGC MUON CHAMBERS	Clash	-42.94mm	Not inspected
--	---	-------	----------	---------------



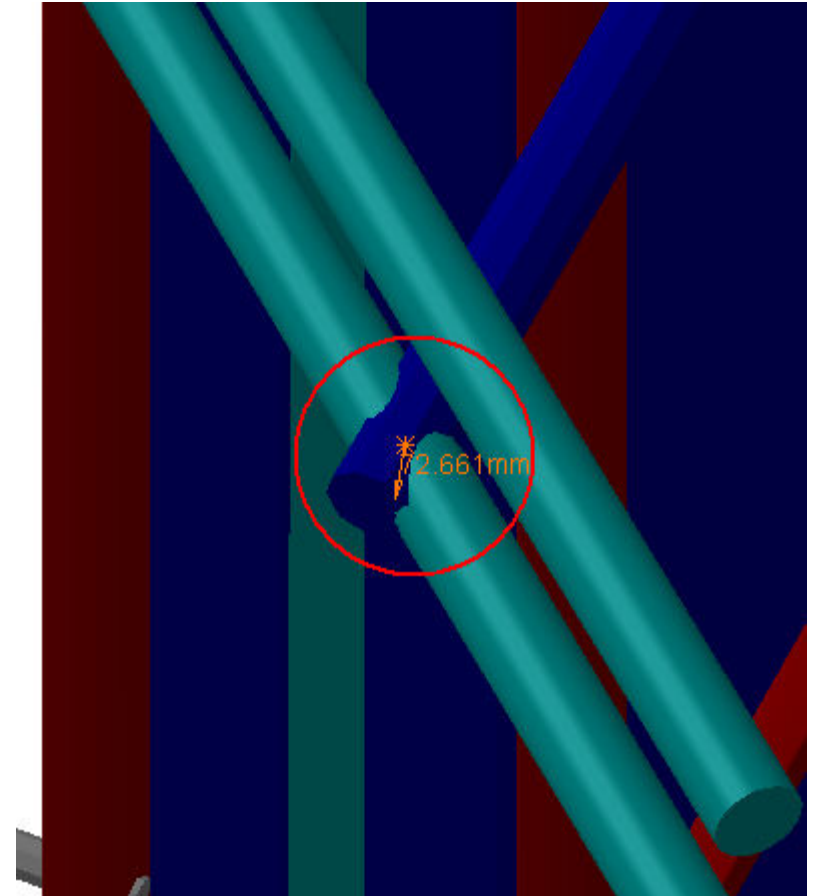
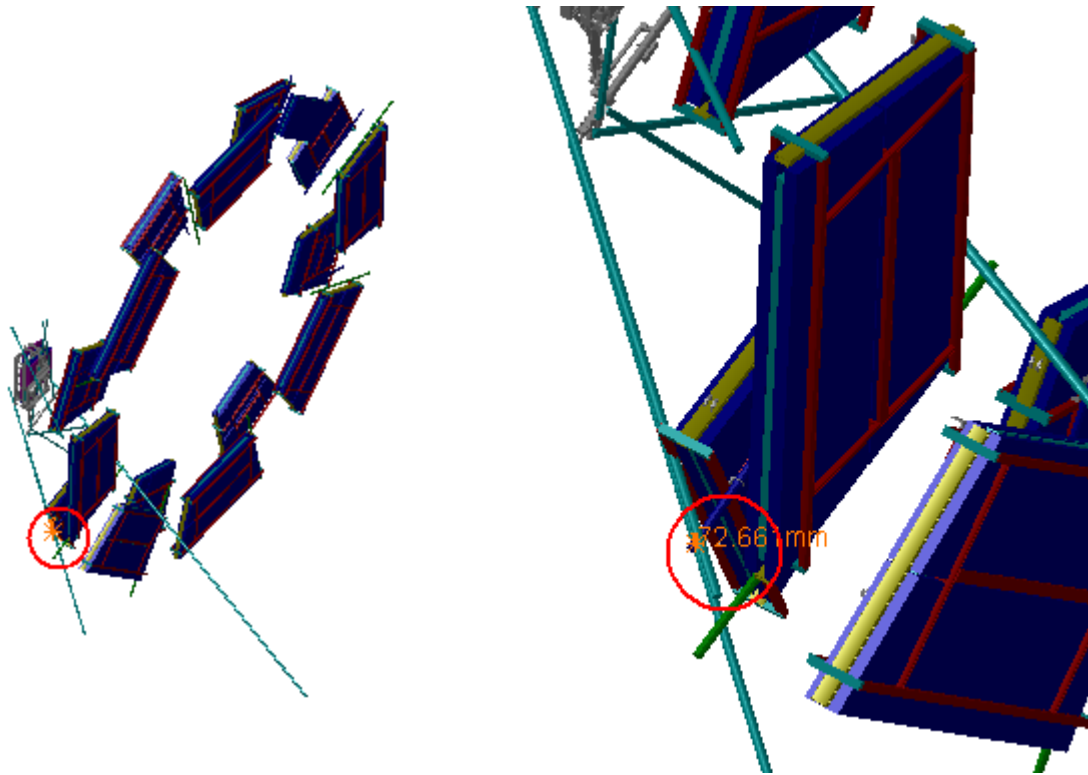
Side C  
Sector 15



# Clash View 1:

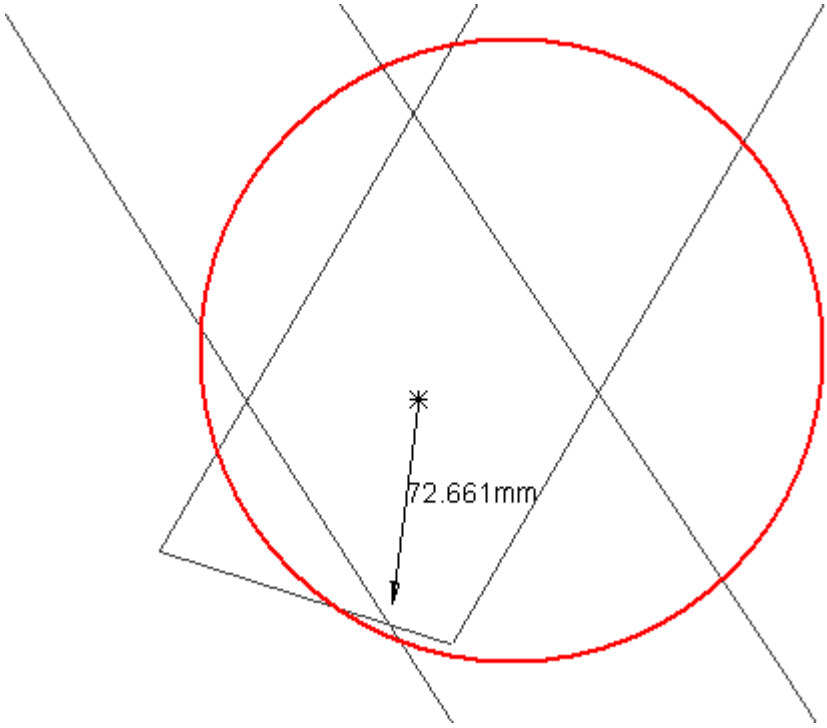
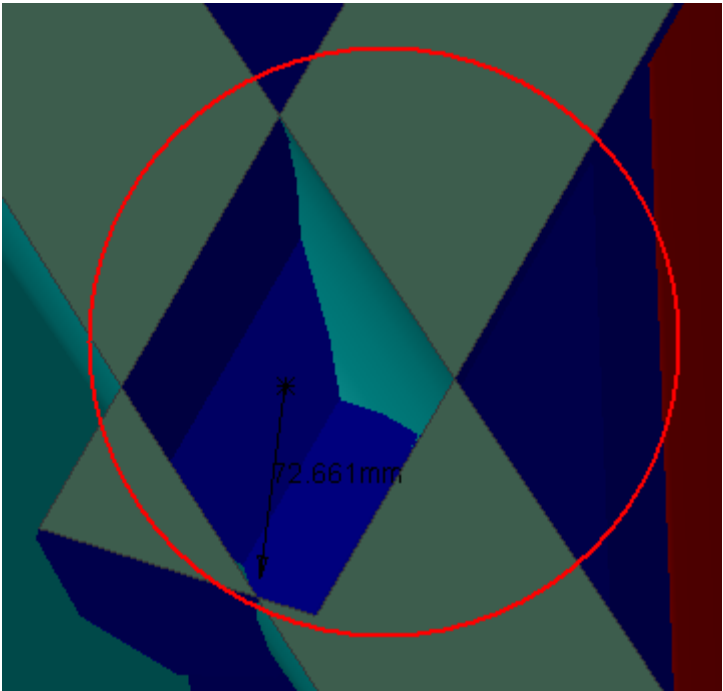
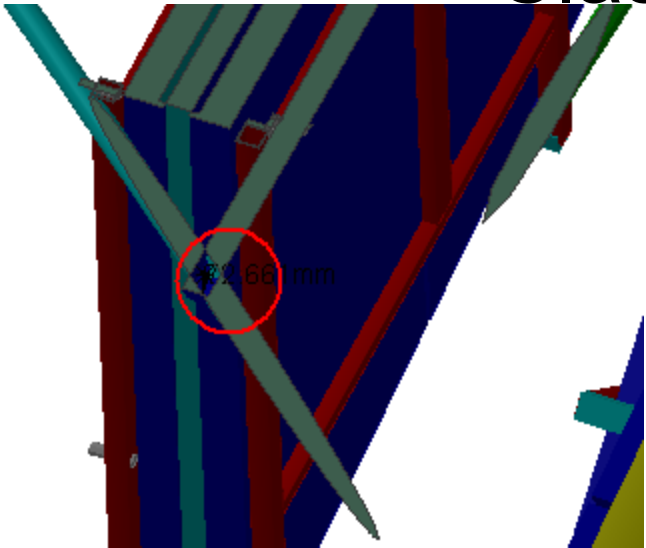


AT632635 MQ Alignment BAR EIL4, Side C, Sector 15	ATCNMC_0019 MEE CHAMBERS SIDE C - 3D SIMPLIFIED MODEL	Clash	-72.66mm	Not inspected
--	--	-------	----------	---------------

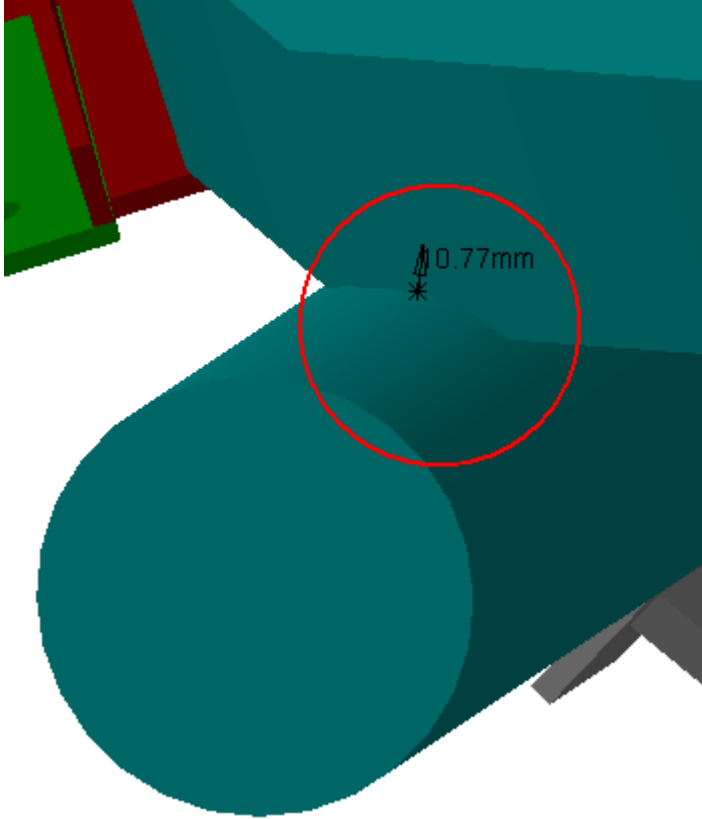
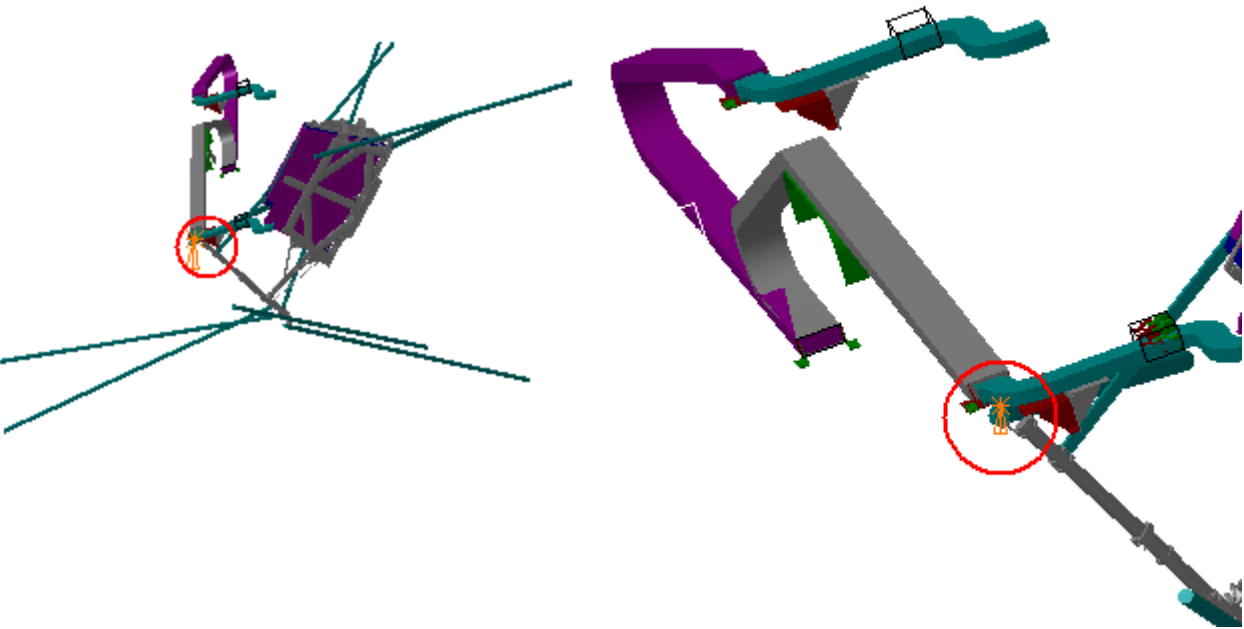


Side C  
Sector 15

# Clash View 1:

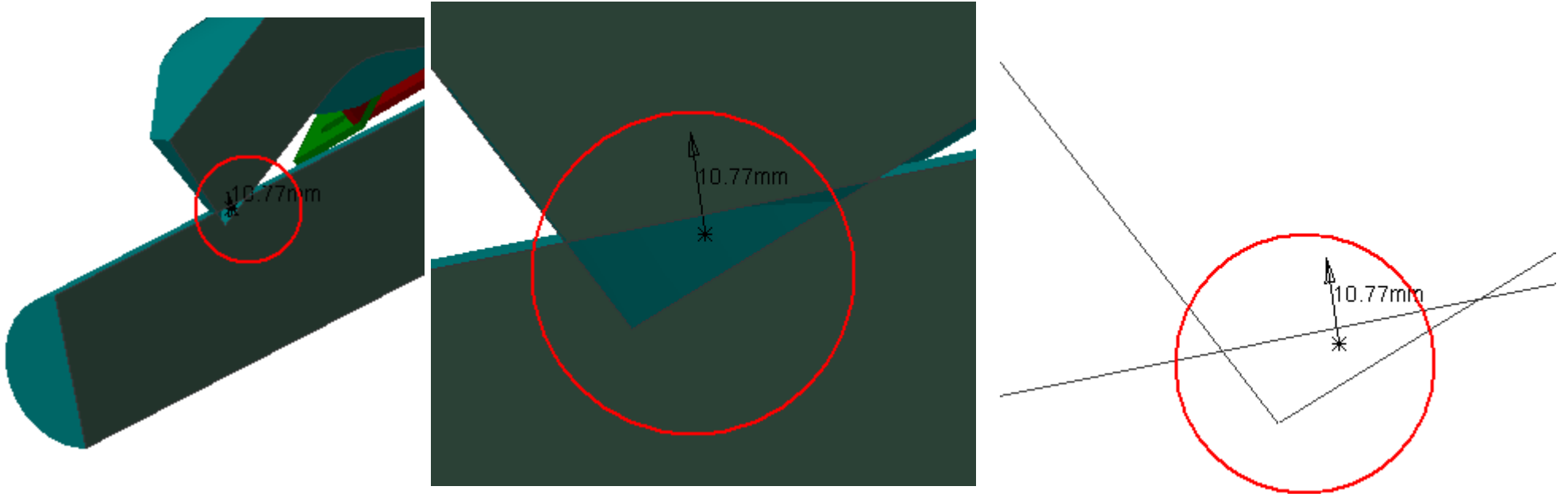


AT632635 MQ Alignment BAR EIL4, Side C, Sector 15	ATCNSE_0010 SMALL WHEEL AIR-PAD CHAIN - IN 2 POSITIONS	Clash	-10.77mm	Not inspected
--	--	-------	----------	---------------

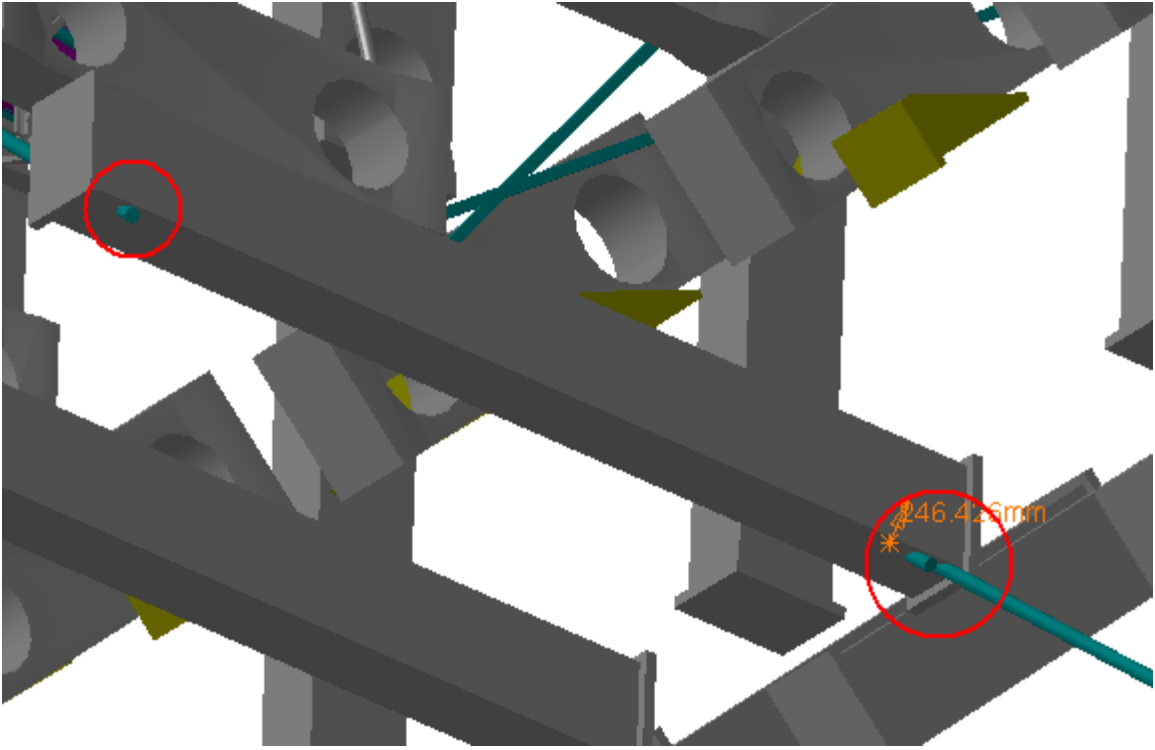
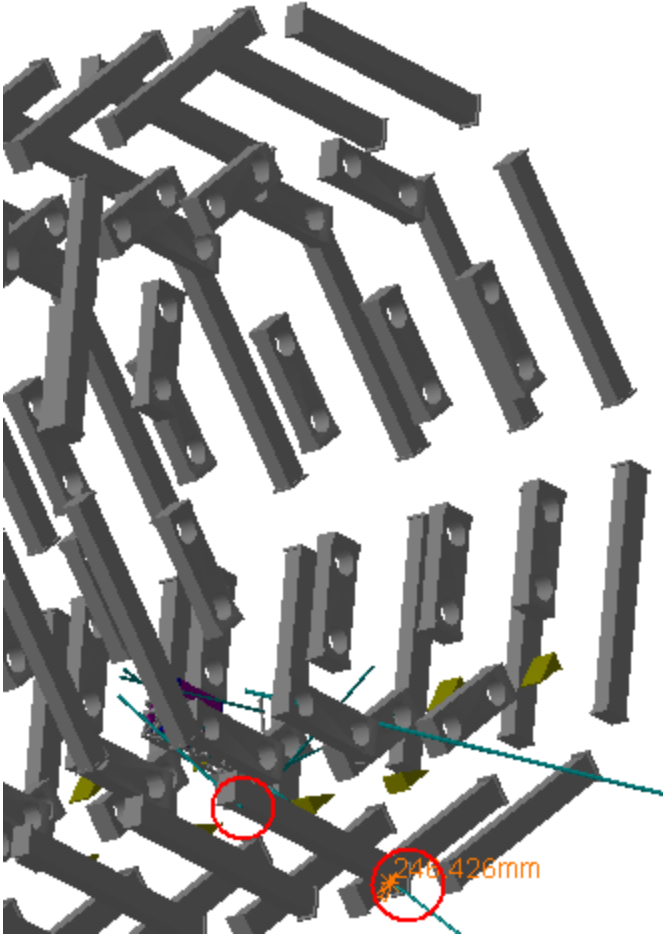


Side C  
Sector 15

# Clash View 1:

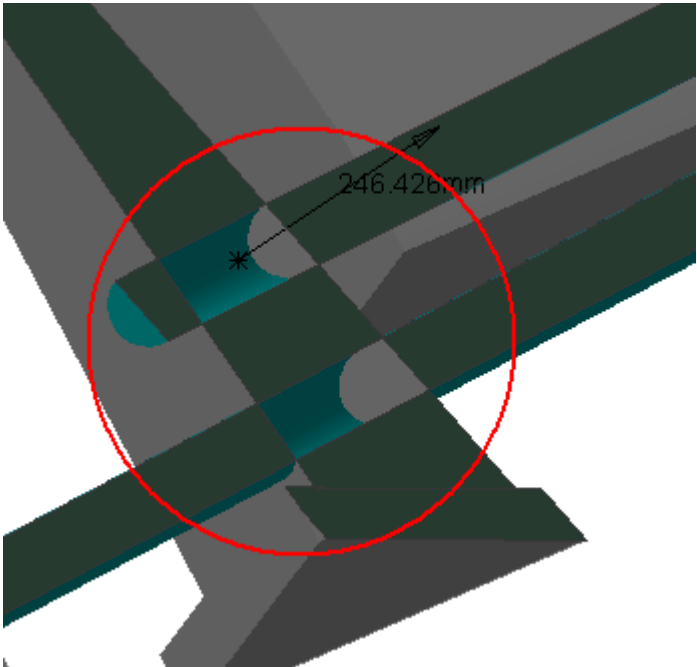
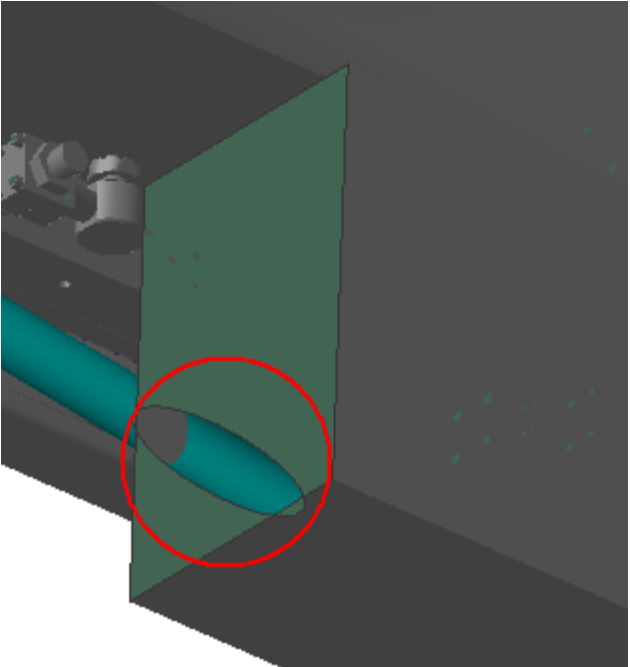


AT632635 MQ Alignment BAR EIL4, Side C, Sector 15	ATCNTB_0003 TB WARM STRUCTURE - SIMPLIFIED 3-D OBJECT	Clash	-246.43mm	Not inspected
--	---	-------	-----------	---------------

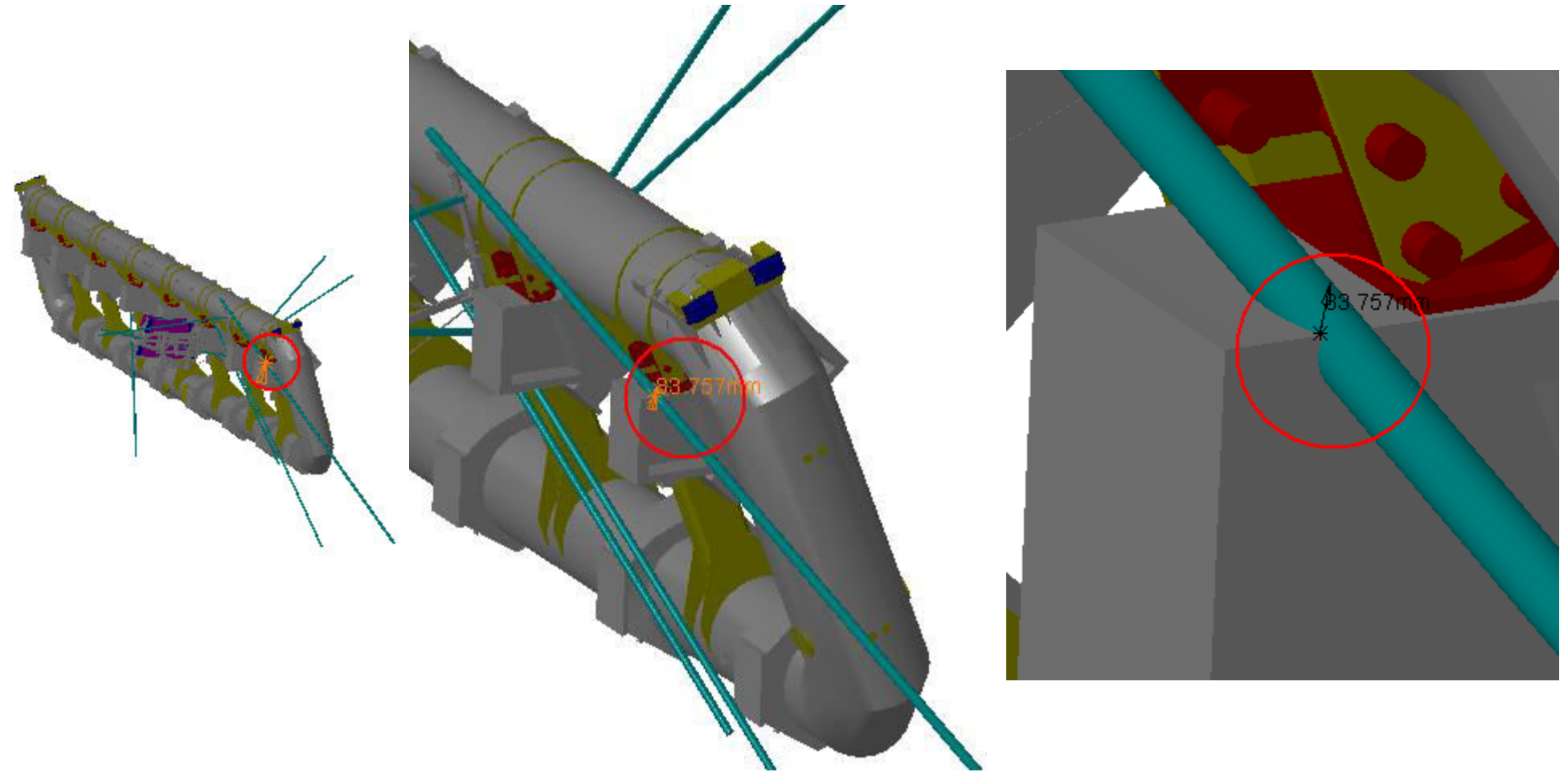


Side C  
Sector 15

# Clash View 1:



AT632635 MQ Alignment BAR EIL4, Side C, Sector 15	ATCNTB_0007 TB FEET COIL - SECTOR 14	Clash	-83.76mm	Not inspected
--	---	-------	----------	---------------

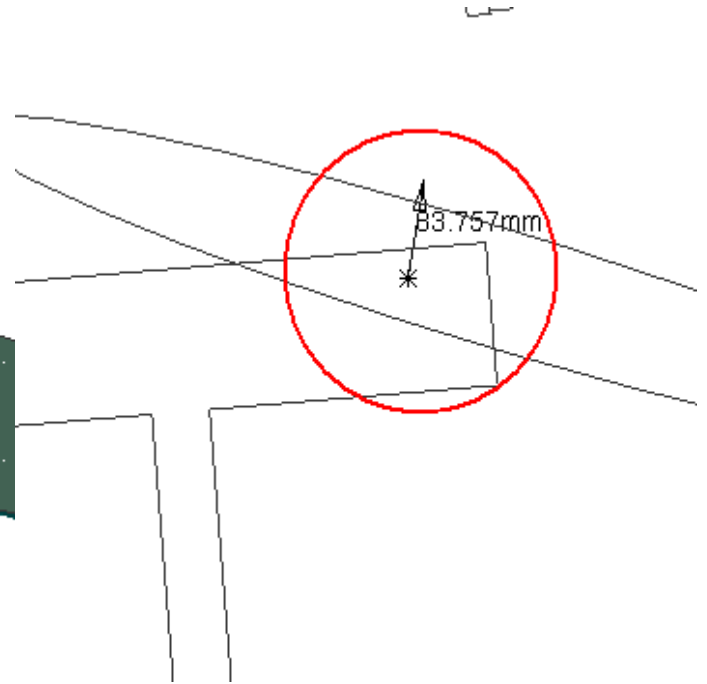
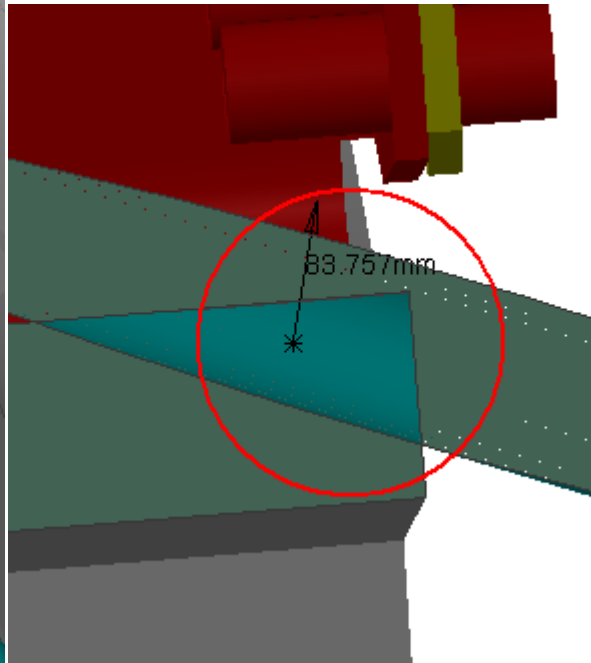


Side C

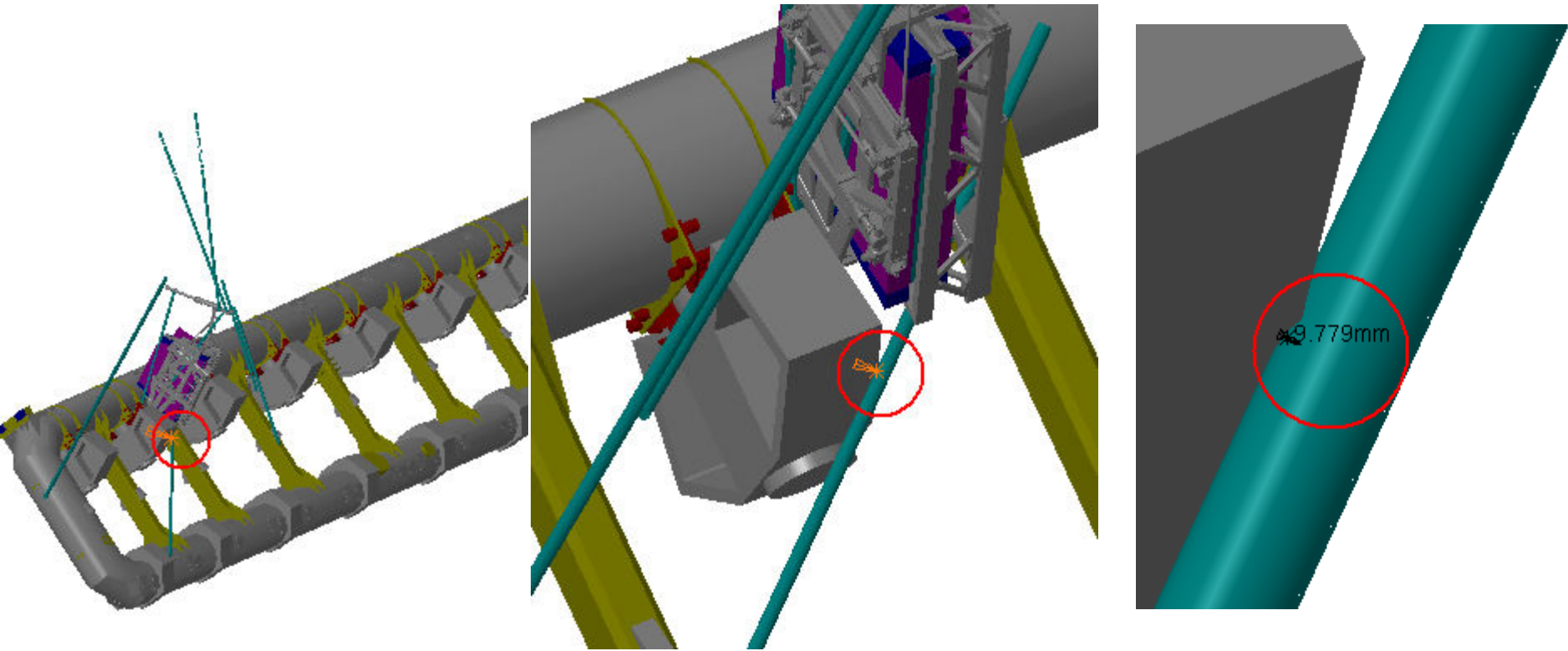
Sector 15



# Clash View 1:

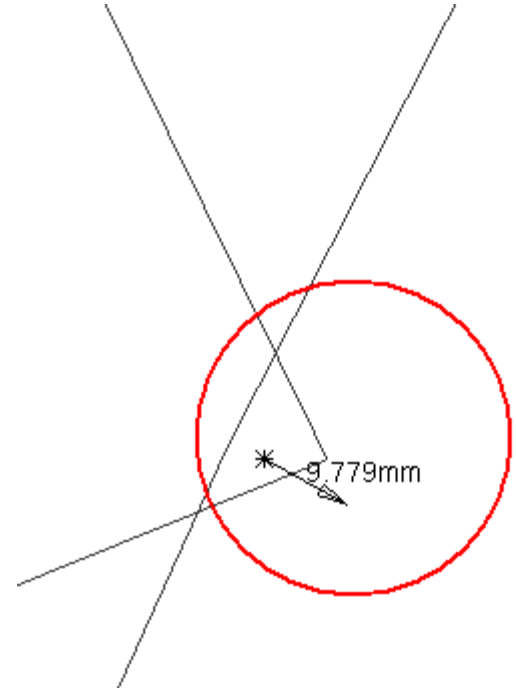
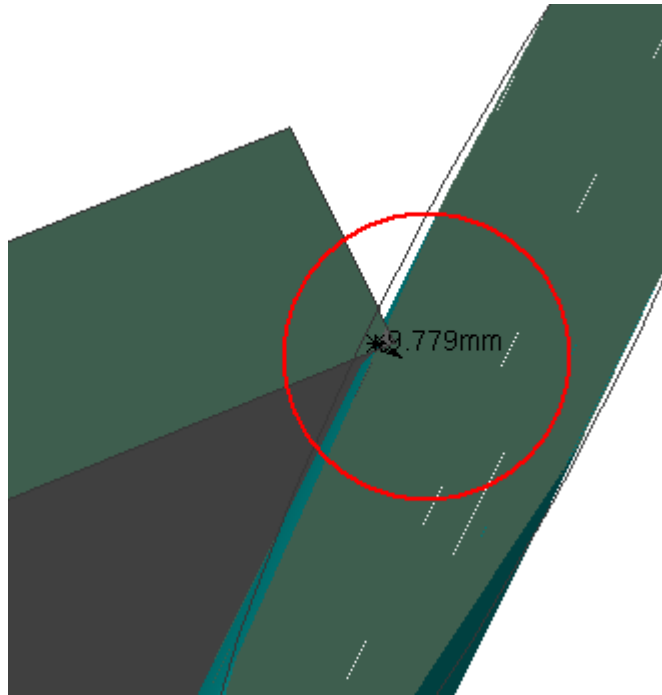
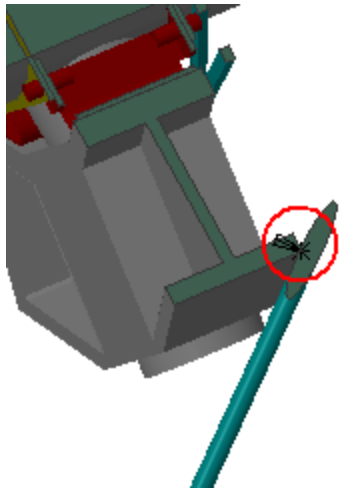


AT632635 MQ Alignment BAR EIL4, Side C, Sector 15	ATCNTB_0001 BT16 TB STANDARD COIL - SECTORS 16	Clash	-9.78mm	Not inspected
--	---	-------	---------	---------------

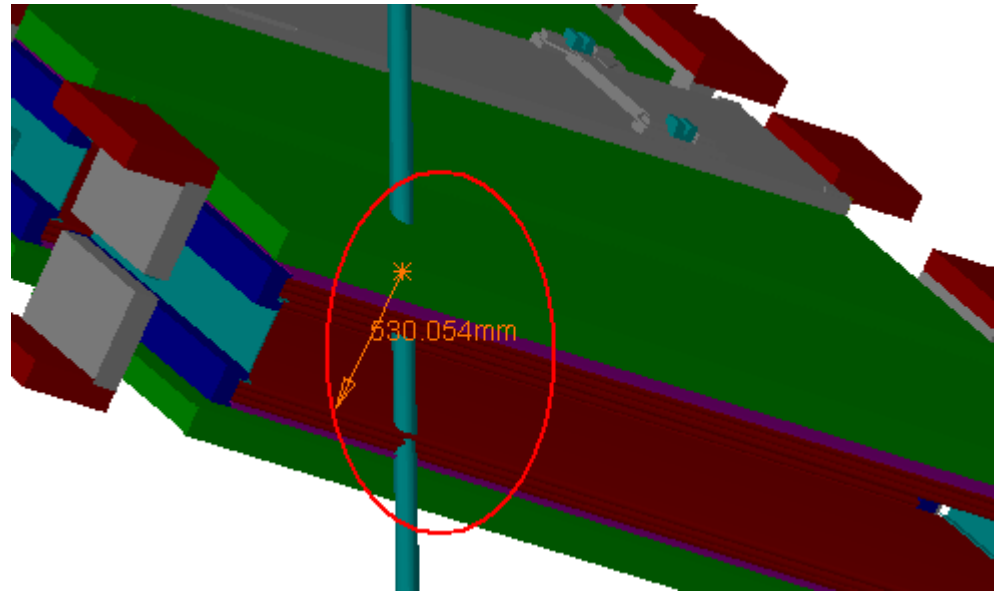
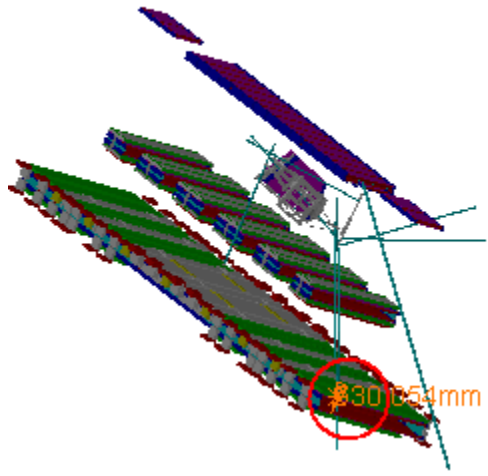


Side C  
Sector 15

# Clash View 1:

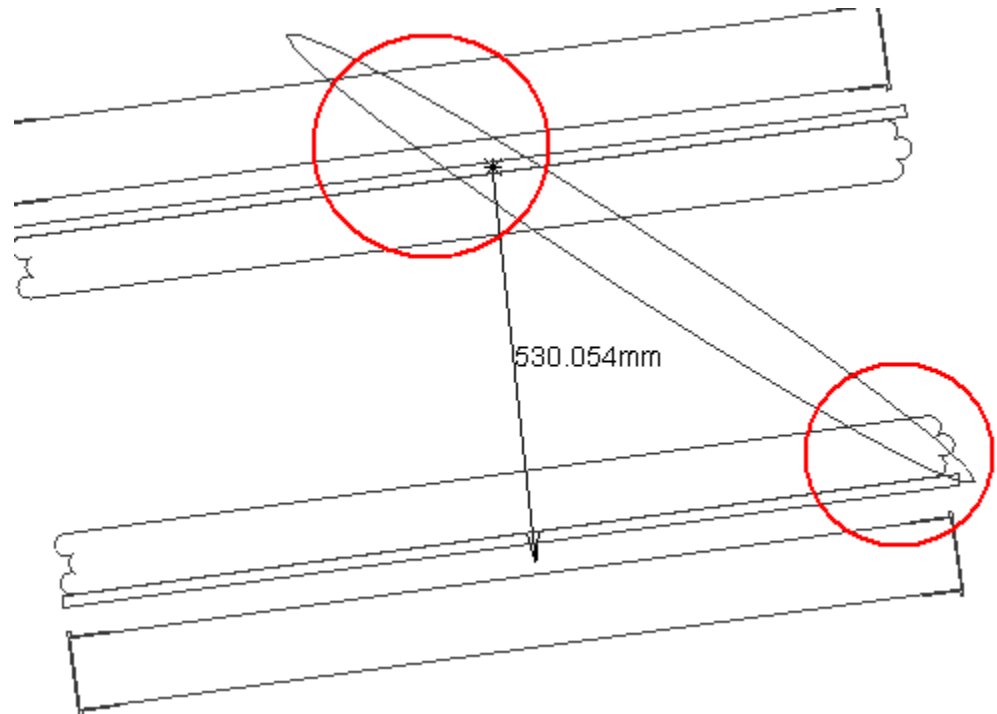
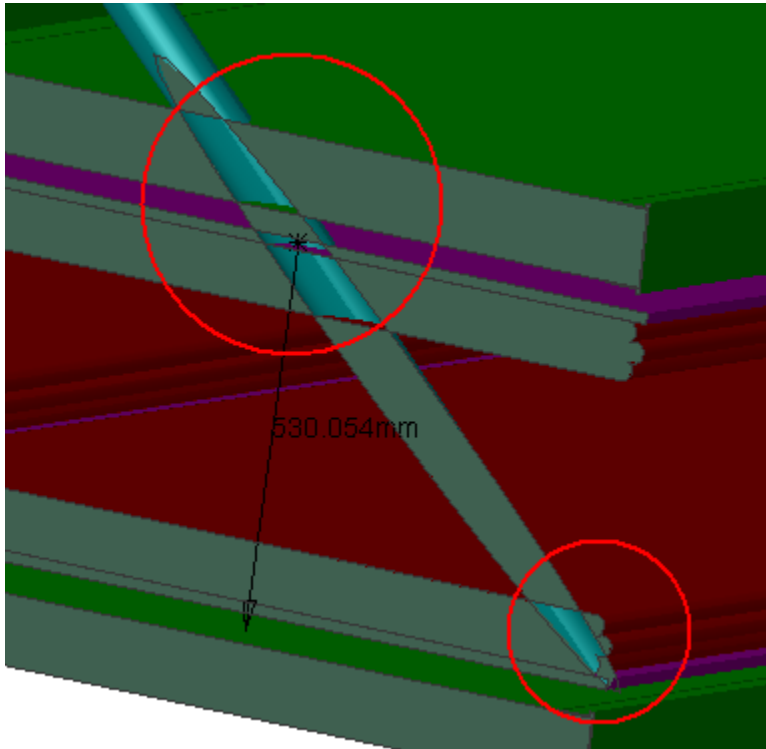


AT632635 MQ Alignment BAR EIL4, Side C, Sector 15	AT602166MQ MCB Muon Barrel Chambers Detailed Sec 14	Clash	-530.05mm	Not inspected
--	--	-------	-----------	---------------

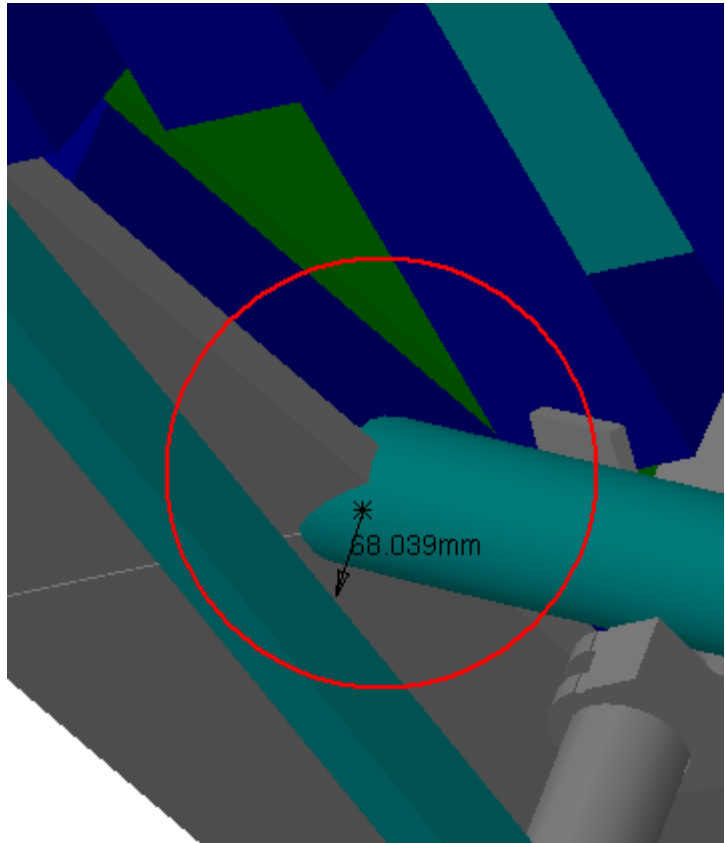
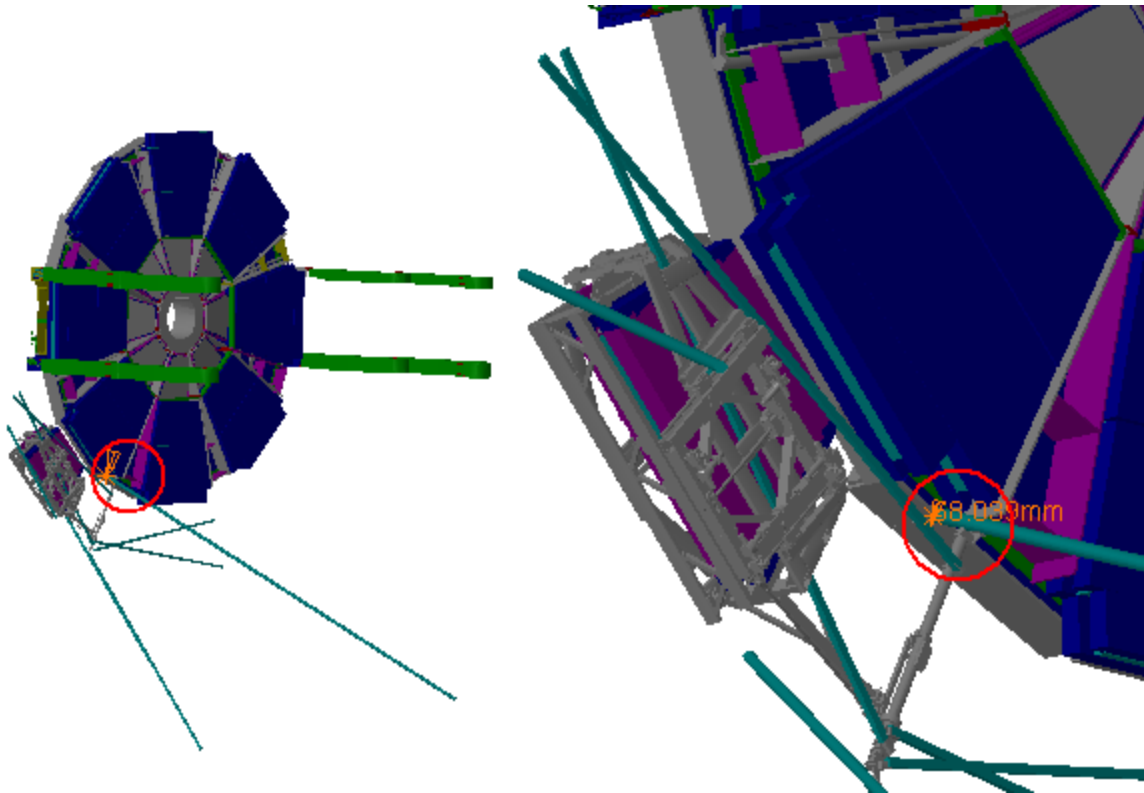


Side C  
Sector 15

# Clash View 1:



AT632635 MQ Alignment BAR EIL4, Side C, Sector 15	AT592057 MQ SW outer Chains	Clash	-68.04mm	Not inspected
--	-----------------------------	-------	----------	---------------



Side C  
Sector 15

# Clash View 1:

