

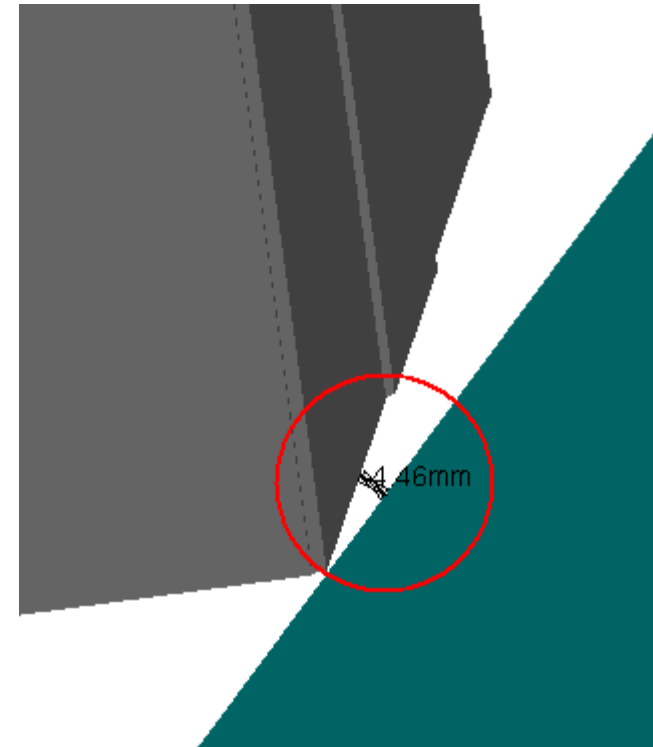
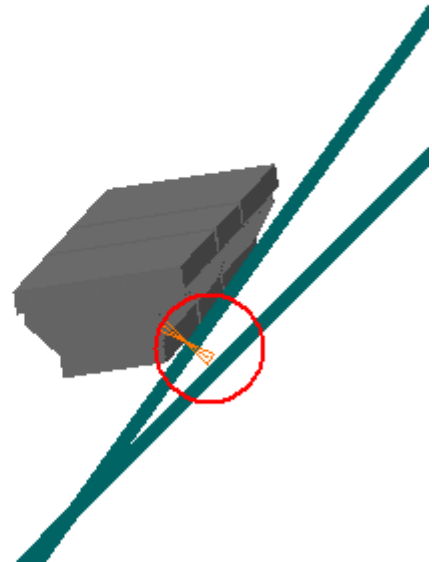
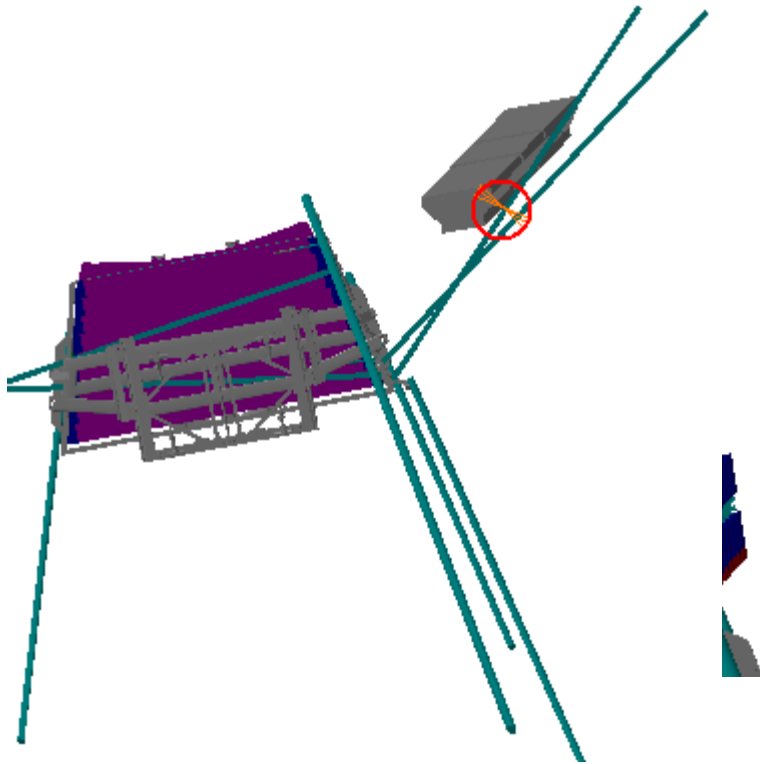
# Clearance Publish

Clearance=50mm



Clearance Computation Specification			
Products Selected			
AT632634 MQ Alignment BAR EIL4, Side C, Sector 13	ATCVHB_0006 CENTRAL PAIR OF FEET B - DETAILED MODEL FOR STANDARDS	4.46	Relevant
	AT602165MQ MCB Muon Barrel Chambers Detailed Sec 13	0	Warning

AT632634 MQ Alignment BAR EIL4, Side C, Sector 13	ATCVHB_0006 CENTRAL PAIR OF FEET B - DETAILED MODEL FOR STANDARDS	Vector coordinate $\Delta X=3.19\text{mm}$ $\Delta Y=-0.04\text{mm}$ $\Delta Z=3.12\text{mm}$	4.46mm	Relevant
--	---	--	--------	----------



Side C  
Sector 13

Olga: To be contacted with Jim Bensinger

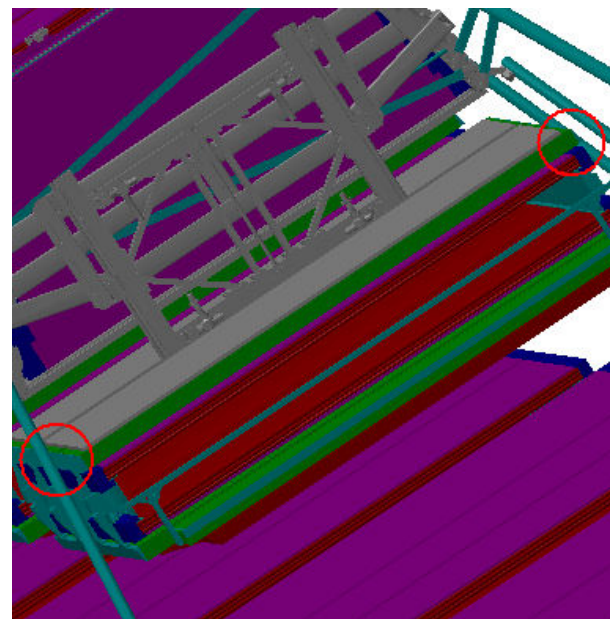
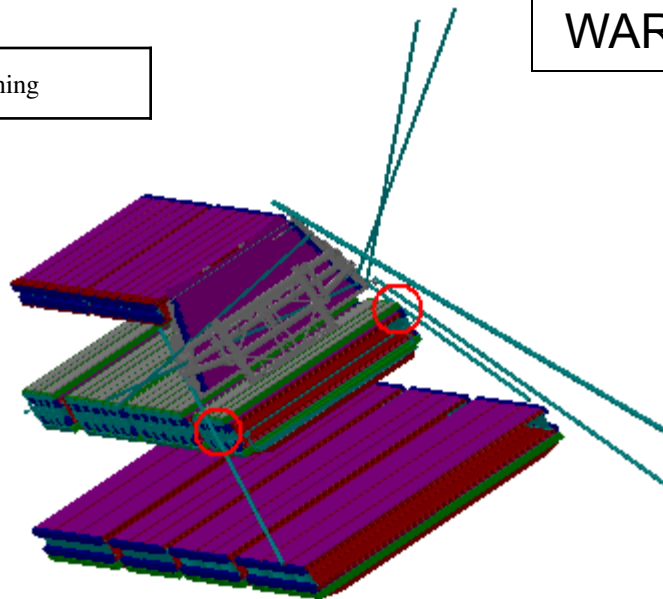
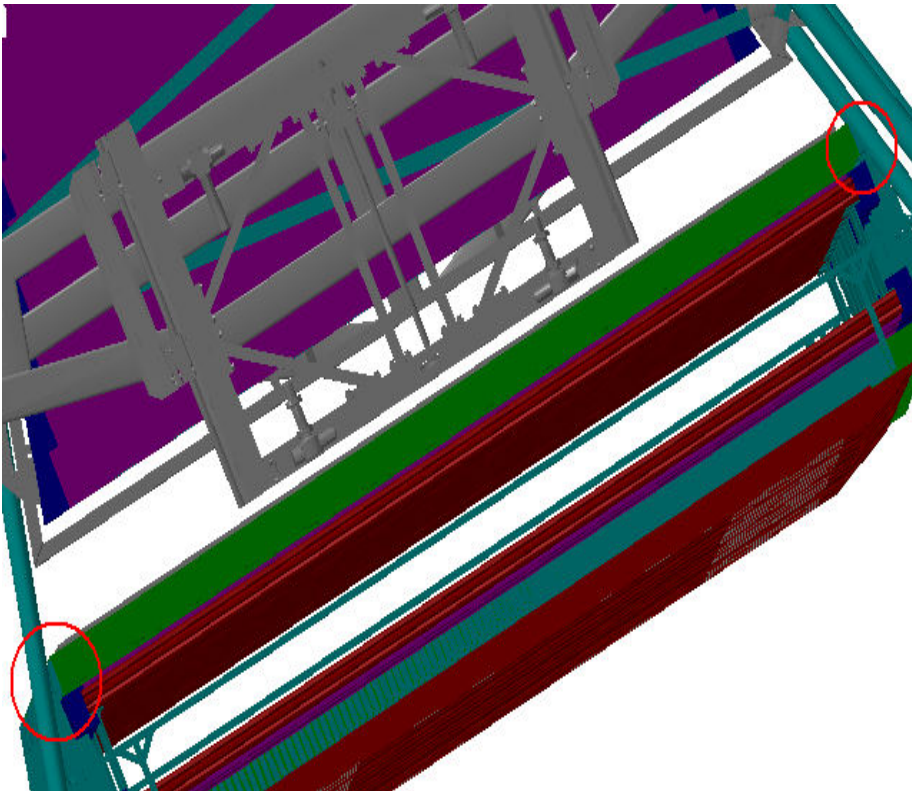
AT632634 MQ Alignment BAR EIL4,  
Side C, Sector 13

AT602165MQ MCB Muon Barrel  
Chambers Detailed Sec 13

Contact

Warning

WARNING



Olga: EndCap Alignment +  
BAL6 Chambers

Side C  
Sector 13