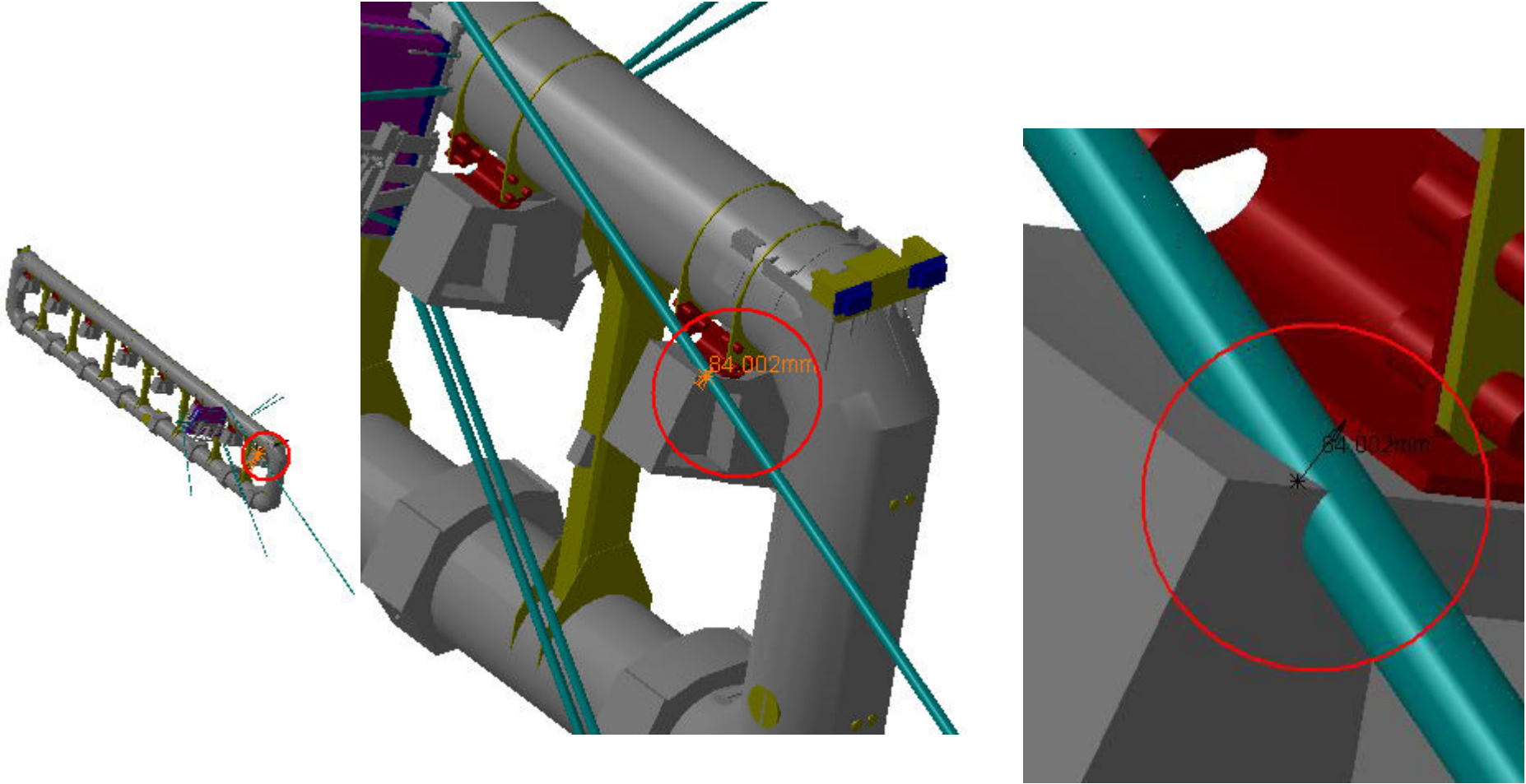


Clash Publish



Clash Computation Specification			
Products Selected			
AT632634 MQ Alignment BAR EIL4, Side C, Sector 13	ATCNTB_0002 TB FEET COIL - SECTOR 12	-84	Not Relevant
	ATCNTB_0003 TB WARM STRUCTURE - SIMPLIFIED 3-D OBJECT	-326.02	Not Relevant
	ATCNTB_0007 TB FEET COIL - SECTOR 14	-9.57	Not Relevant
	ATCNSE_0004 DRAIN PIPE FOR - LAR END-CAP CALORIMETER	-69.89	Not Relevant
	ATCNM_0016 BT HEATER CABLE DISTRIBUTION - FOR FOOT REGION	-117.23	Relevant
	ATCNMC_0019 MEE CHAMBERS SIDE C - 3D SIMPLIFIED MODEL	-71.93	Warning
	ATCNH_0001 HF TRUCK IN ACCESS POSITION SIDE C - SIMPLIFIED 3-D OBJECT	-441.51	Not Relevant
	AT602164MQ MCB Muon Barrel Chambers Detailed Sec 12	-530.05	Relevant
	AT592057MQ MQ SW outer Chains	-70.45	Not Relevant
	ATCVHB_0005 M EXTREMITY PAIR OF FEET A4 (C4) - DETAILED MODEL FOR STANDARDS	-16.94	Warning

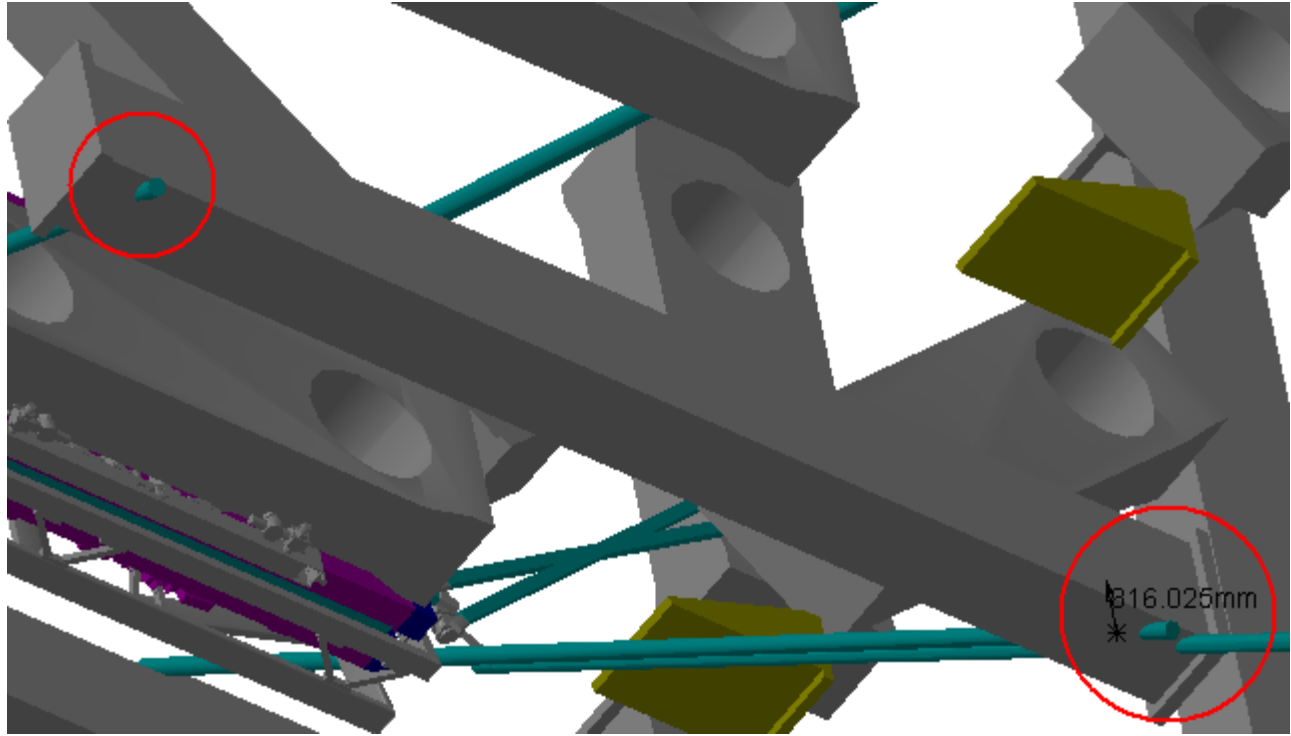
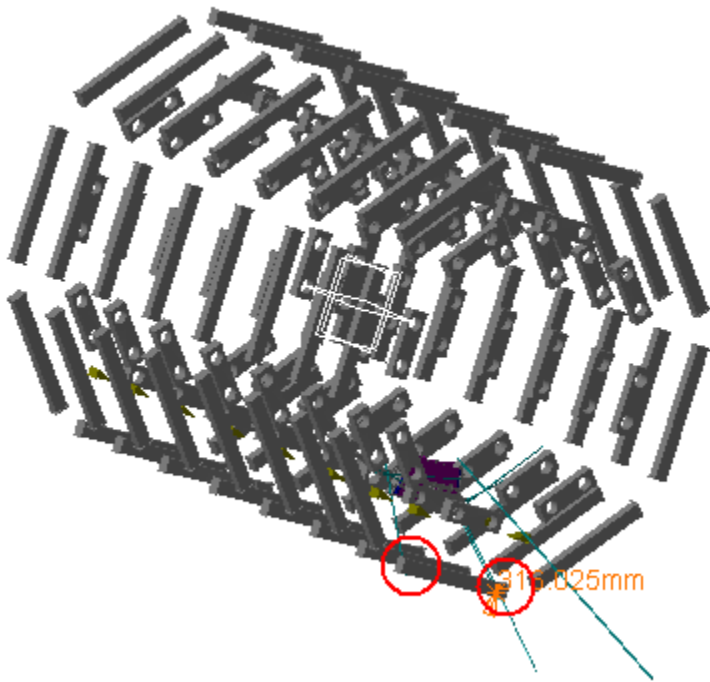
AT632634 MQ Alignment BAR EIL4, Side C, Sector 13	ATCNTB_0002 TB FEET COIL - SECTOR 12	Clash	-84mm	Not Relevant
------------------------------------------------------	--------------------------------------	-------	-------	--------------



Side C
Sector 13

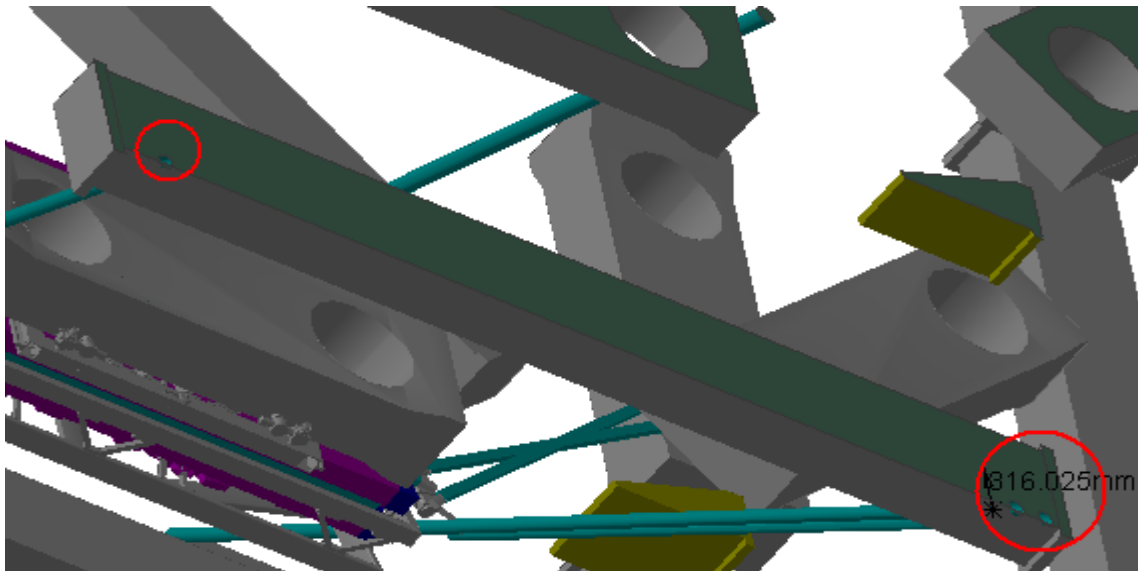
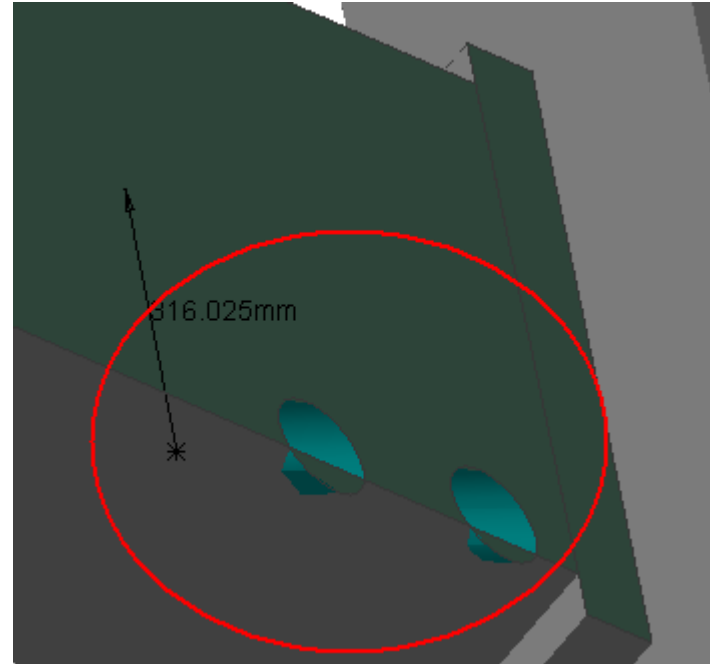
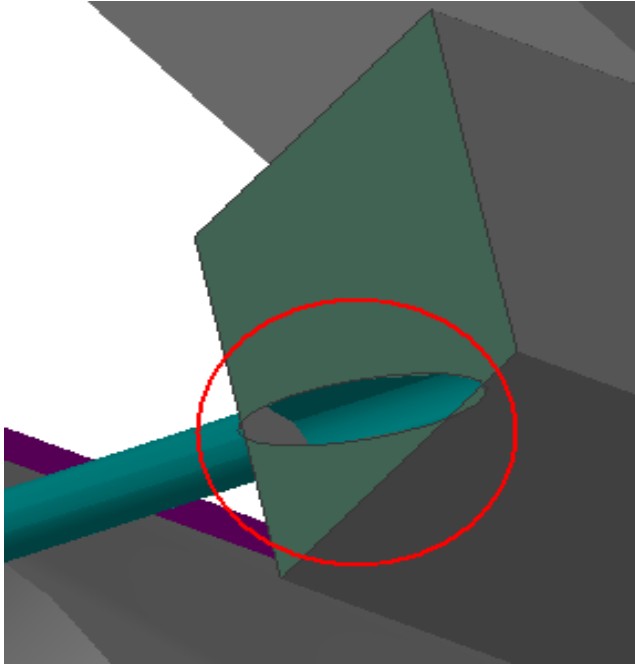
Lasha: I have checked in Cavern and cutout exists. So, it is N.R.

AT632634 MQ Alignment BAR EIL4, Side C, Sector 13	ATCNTB_0003 TB WARM STRUCTURE - SIMPLIFIED 3-D OBJECT	Clash	-326.02mm	Not Relevant
------------------------------------------------------	-------------------------------------------------------------	-------	-----------	--------------

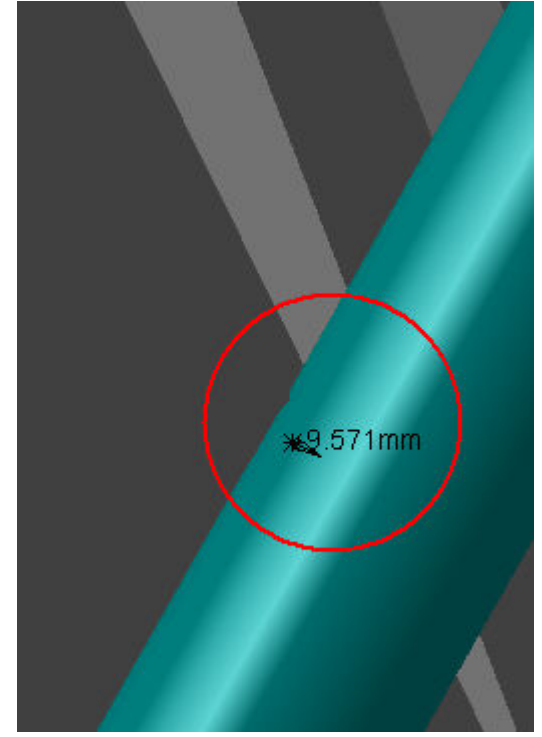
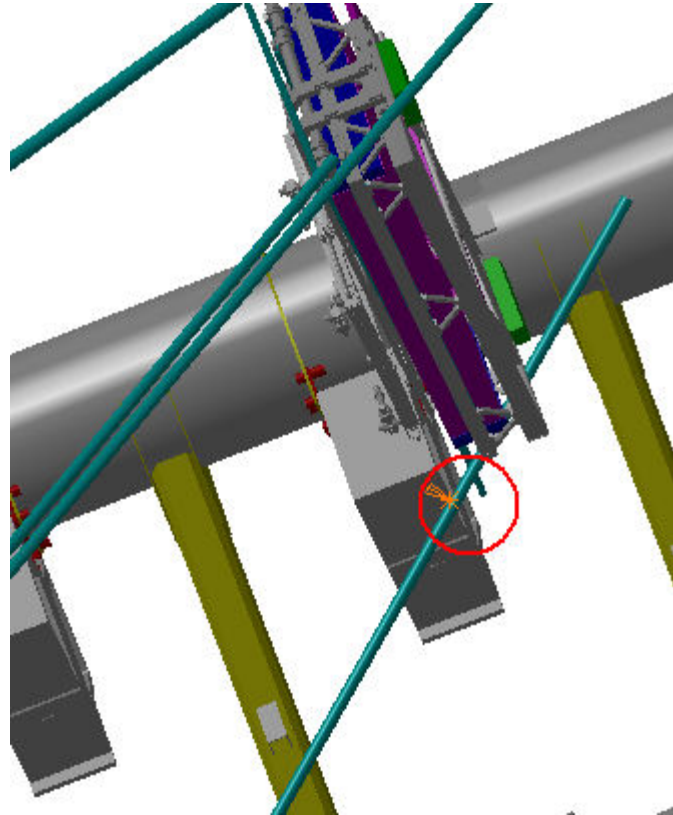
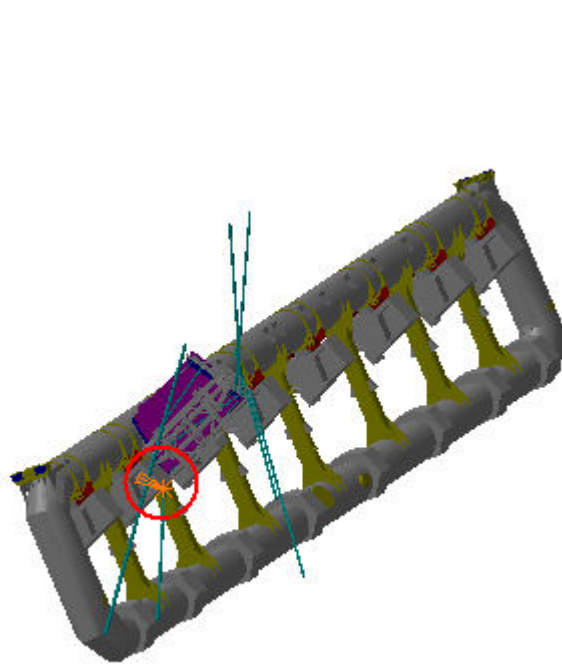


Olga: Holes exsist

Clash View 1:



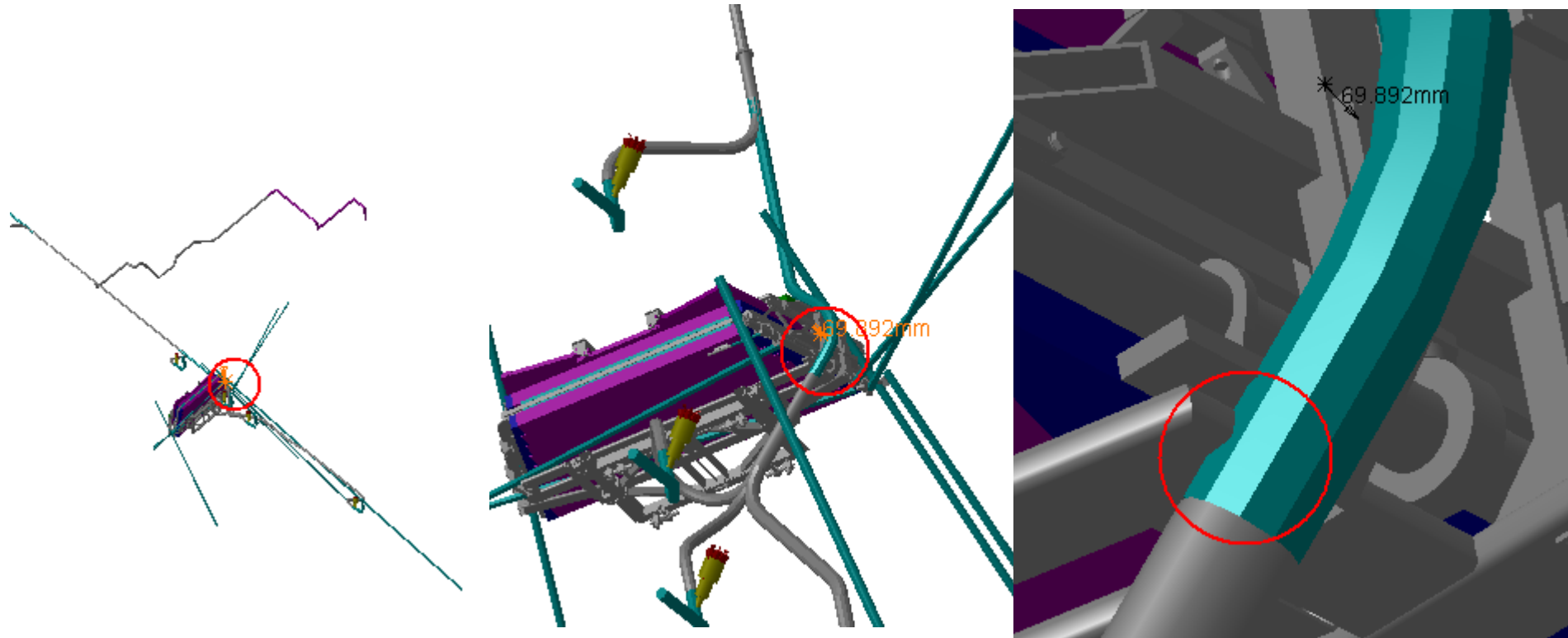
AT632634 MQ Alignment BAR EIL4, Side C, Sector 13	ATCNTB_0007 TB FEET COIL - SECTOR 14	Clash	9.57mm	Not Relevant
------------------------------------------------------	-----------------------------------------	-------	--------	--------------



Side C
Sector 13

Lasha: I have checked in Cavern and cutout exists. So it is N.R.

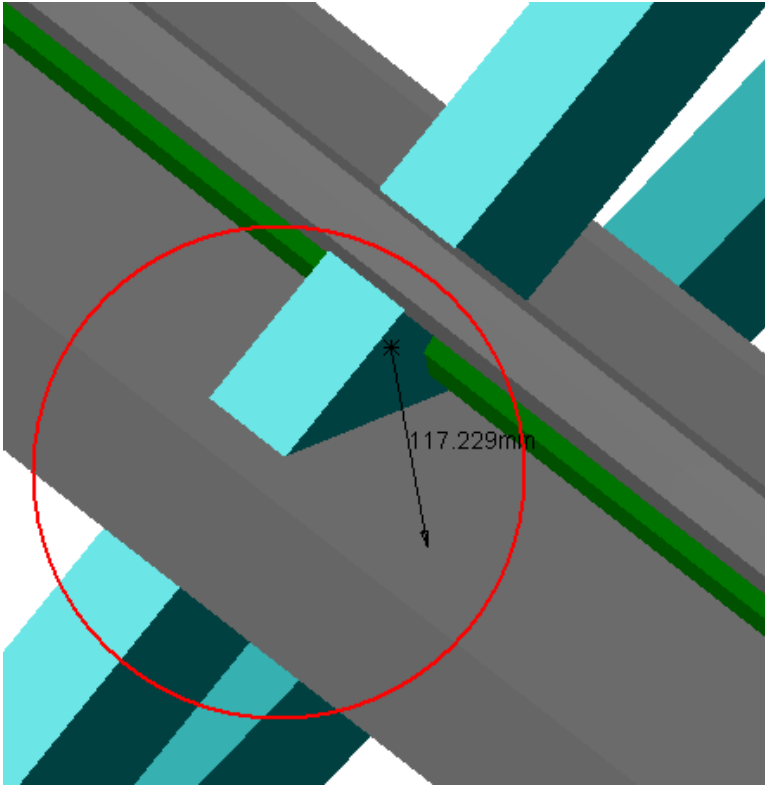
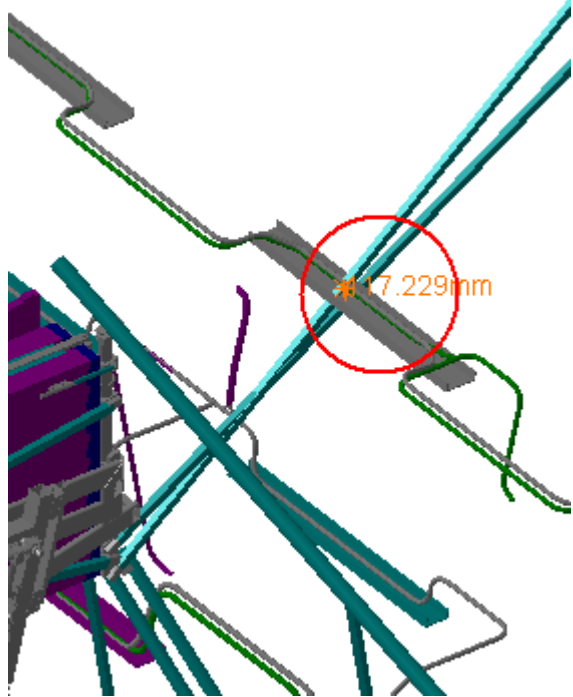
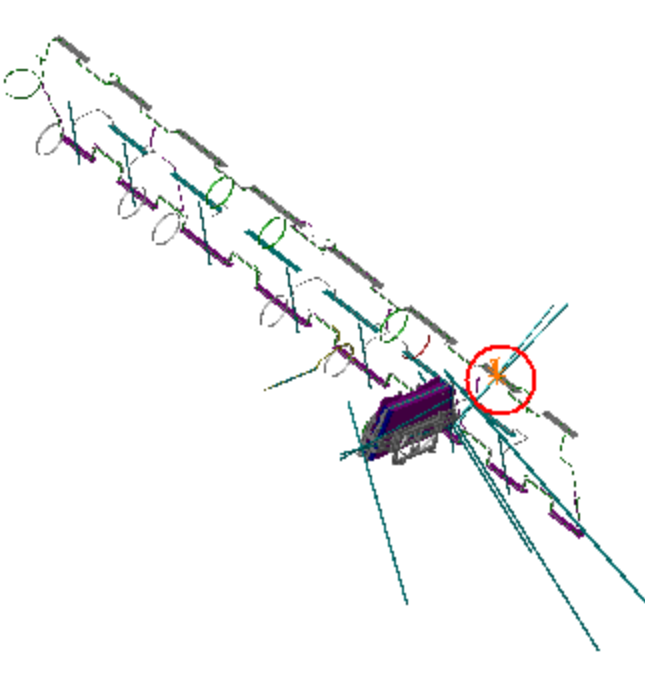
AT632634 MQ Alignment BAR EIL4, Side C, Sector 13	ATCNSE_0004 DRAIN PIPE FOR - LAR END-CAP CALORIMETER	Clash	-69.89mm	Not Relevant
------------------------------------------------------	---------------------------------------------------------	-------	----------	--------------



Side C
Sector 13

Denis Dyakov: During interaction the EIL4 chambers will be in other position then Drain pipes

AT632634 MQ Alignment BAR EIL4, Side C, Sector 13	ATCNSM_0016 BT HEATER CABLE DISTRIBUTION - FOR FOOT REGION	Clash	-177.23mm	Relevant
------------------------------------------------------	------------------------------------------------------------------	-------	-----------	----------

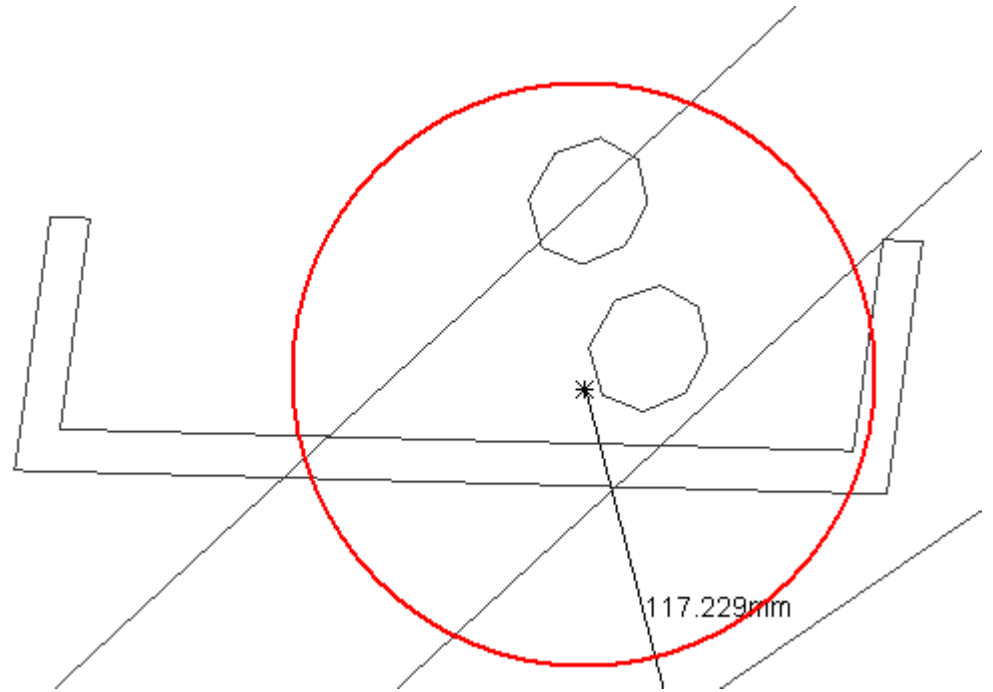
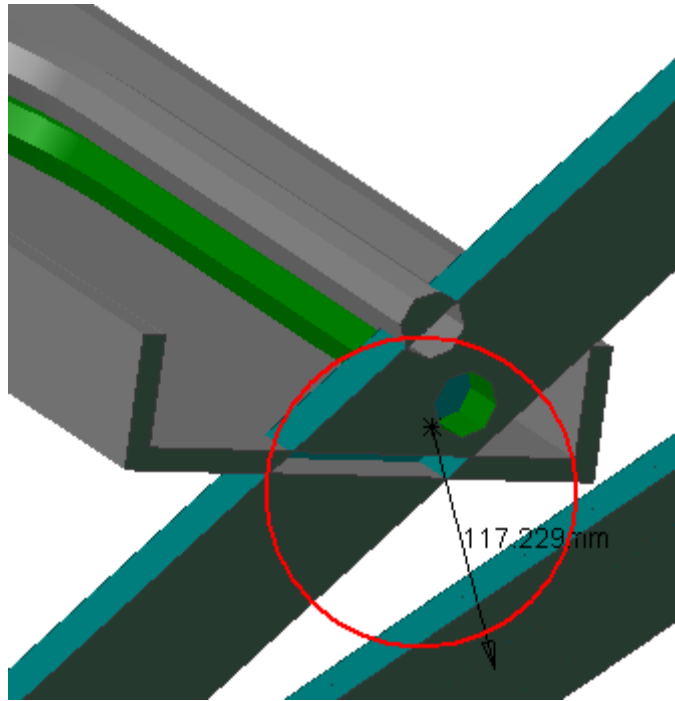


Lasha: Needs to discuss with responsible designer of BT Heater Cable

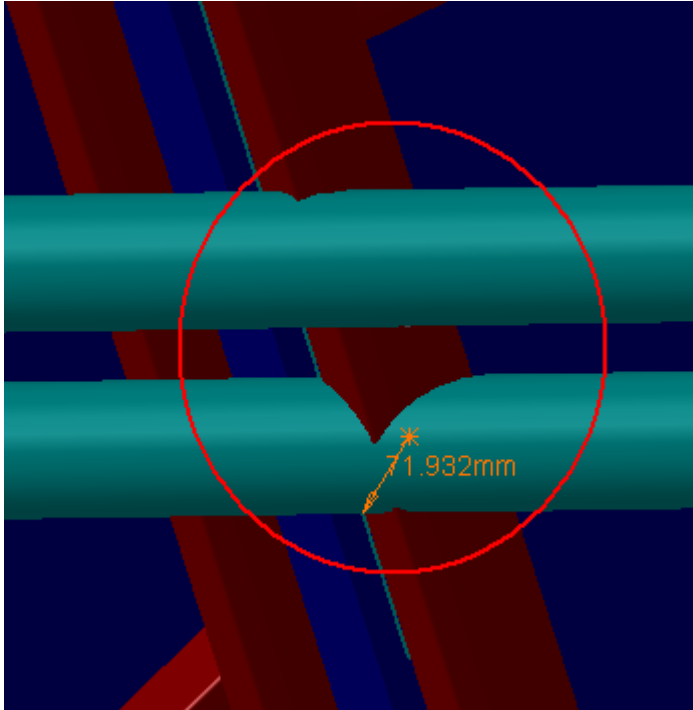
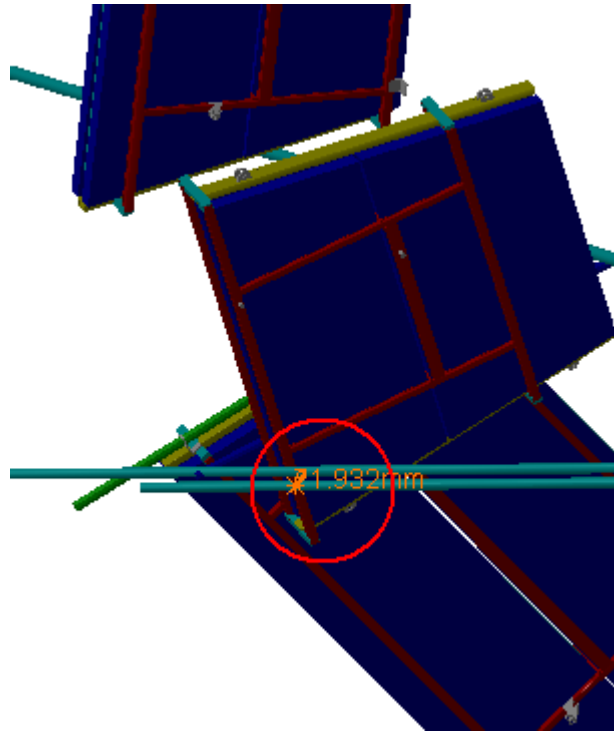
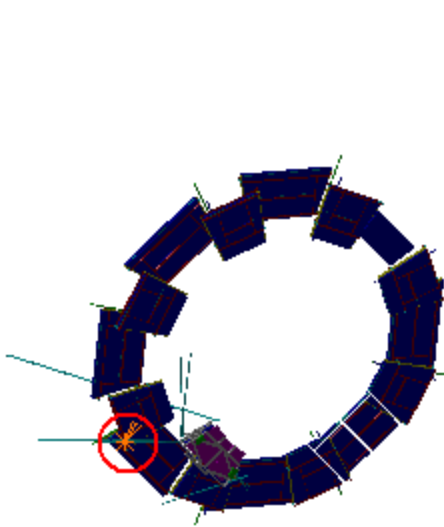
Side C
Sector 13

Lasha: Lioudmila Nikitina already checked but she has no solution

Clash View 1:



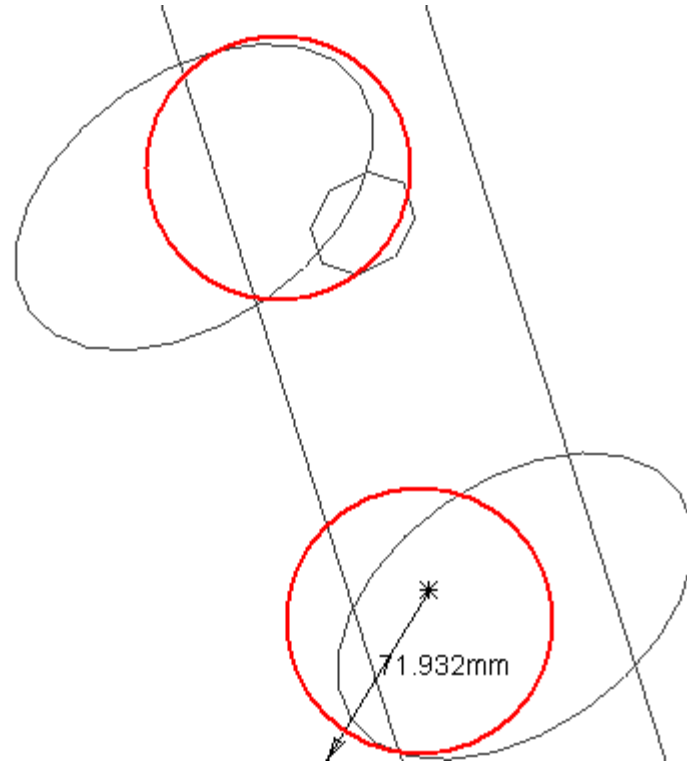
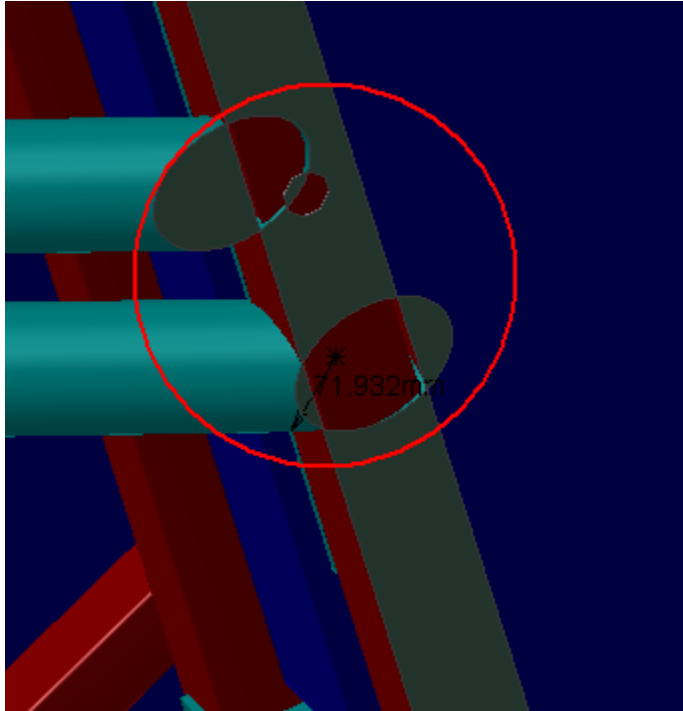
AT632634 MQ Alignment BAR EIL4, Side C, Sector 13	ATCNMC_0019 MEE CHAMBERS SIDE C - 3D SIMPLIFIED MODEL	Clash	-71.93mm	Relevant/Warning
------------------------------------------------------	-------------------------------------------------------------	-------	----------	------------------



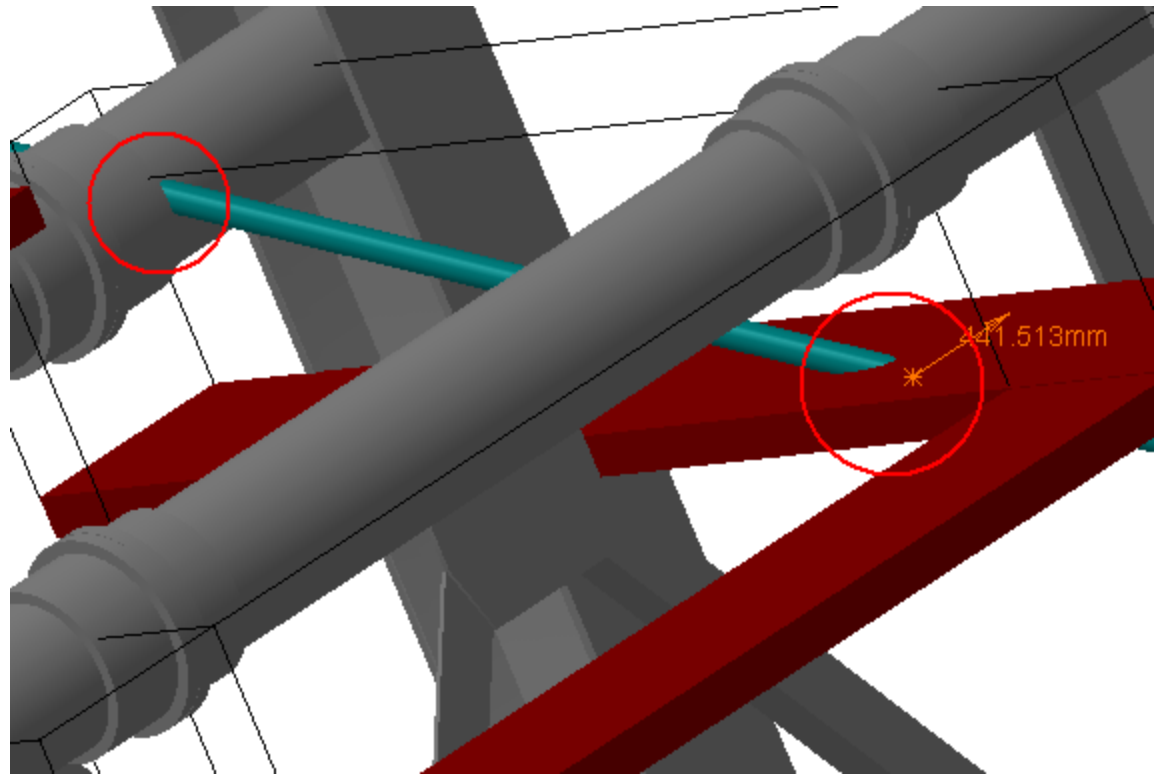
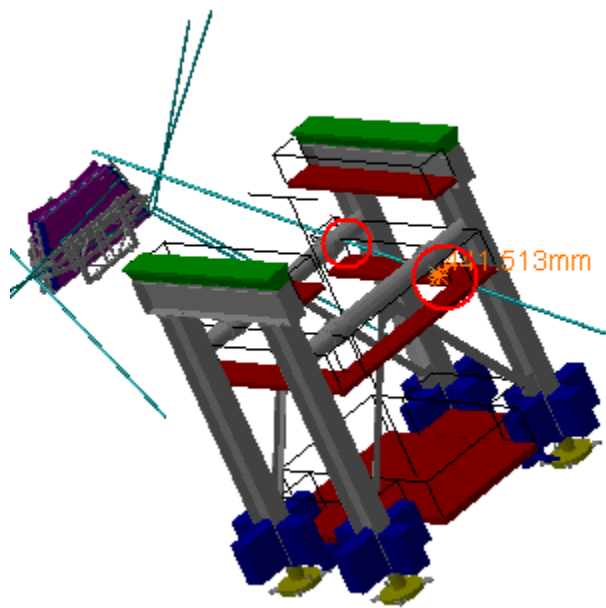
Side C
Sector 13

Giancarlo: Warning for future

Clash View 1:

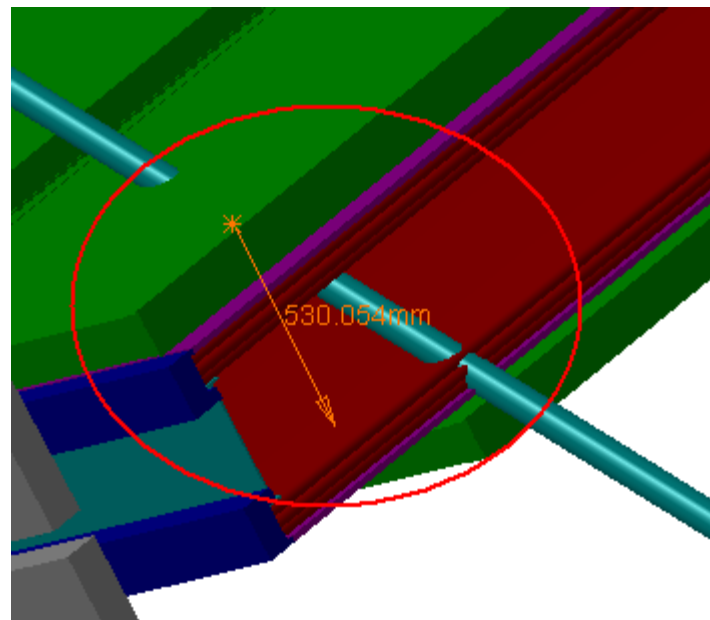
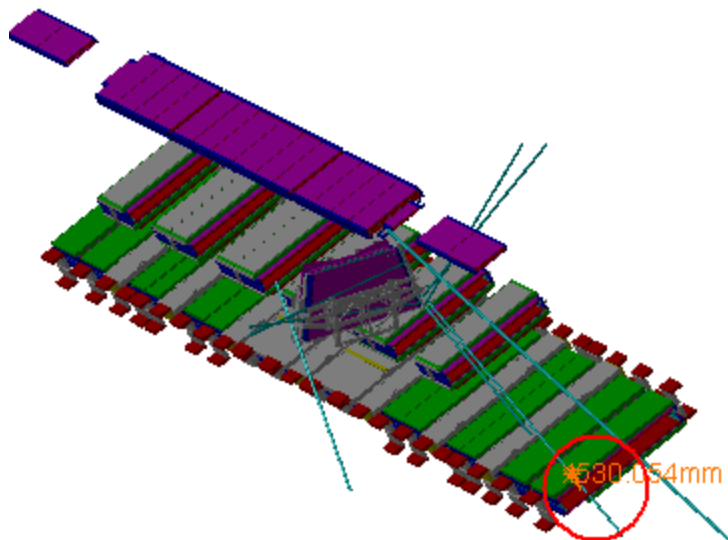


AT632634 MQ Alignment BAR EIL4, Side C, Sector 13	ATCNH_0001 HF TRUCK IN ACCESS POSITION SIDE C - SIMPLIFIED 3-D OBJECT	Clash	-441.513mm	Not Relevant
------------------------------------------------------	-----------------------------------------------------------------------------	-------	------------	--------------



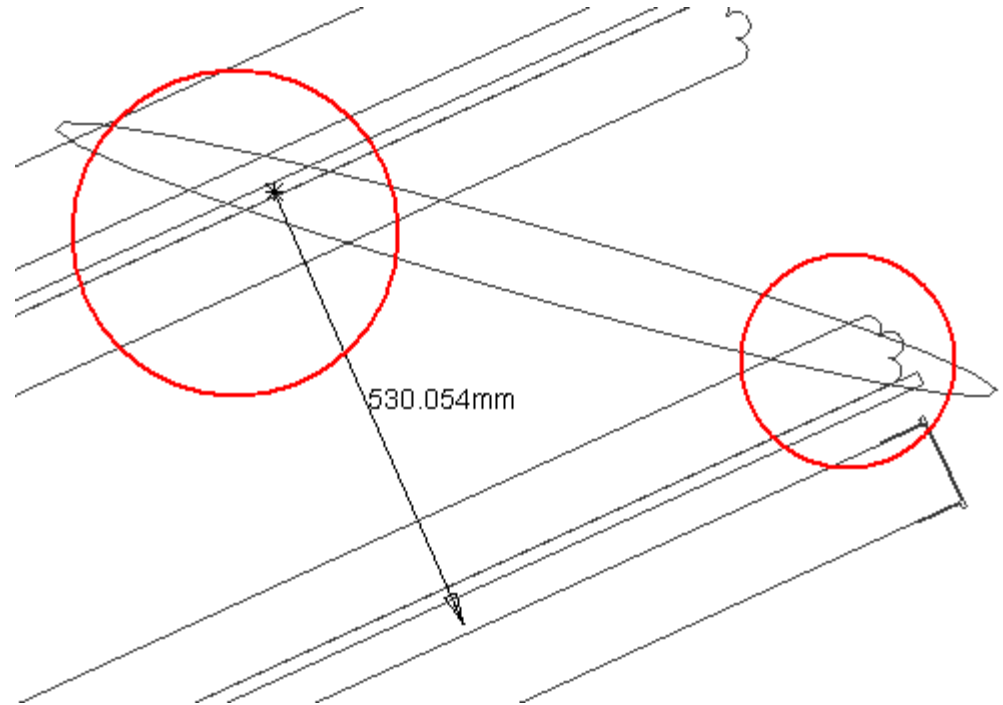
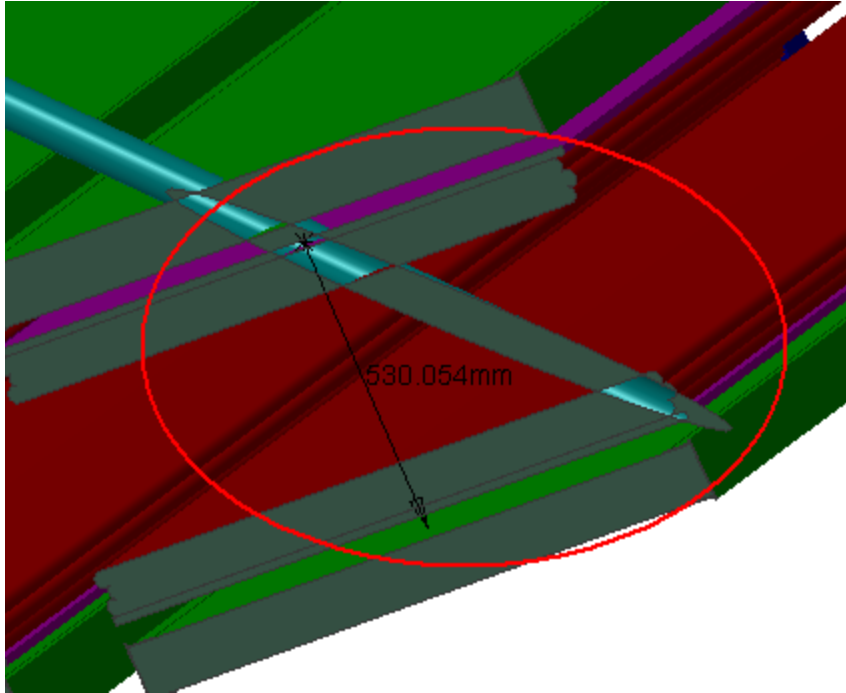
Side C
Sector 13

AT632634 MQ Alignment BAR EIL4, Side C, Sector 13	AT602164MQ MCB Muon Barrel Chambers Detailed Sec 12	Clash	-530.05mm	Relevant
---------------------------------------------------	-----------------------------------------------------	-------	-----------	----------

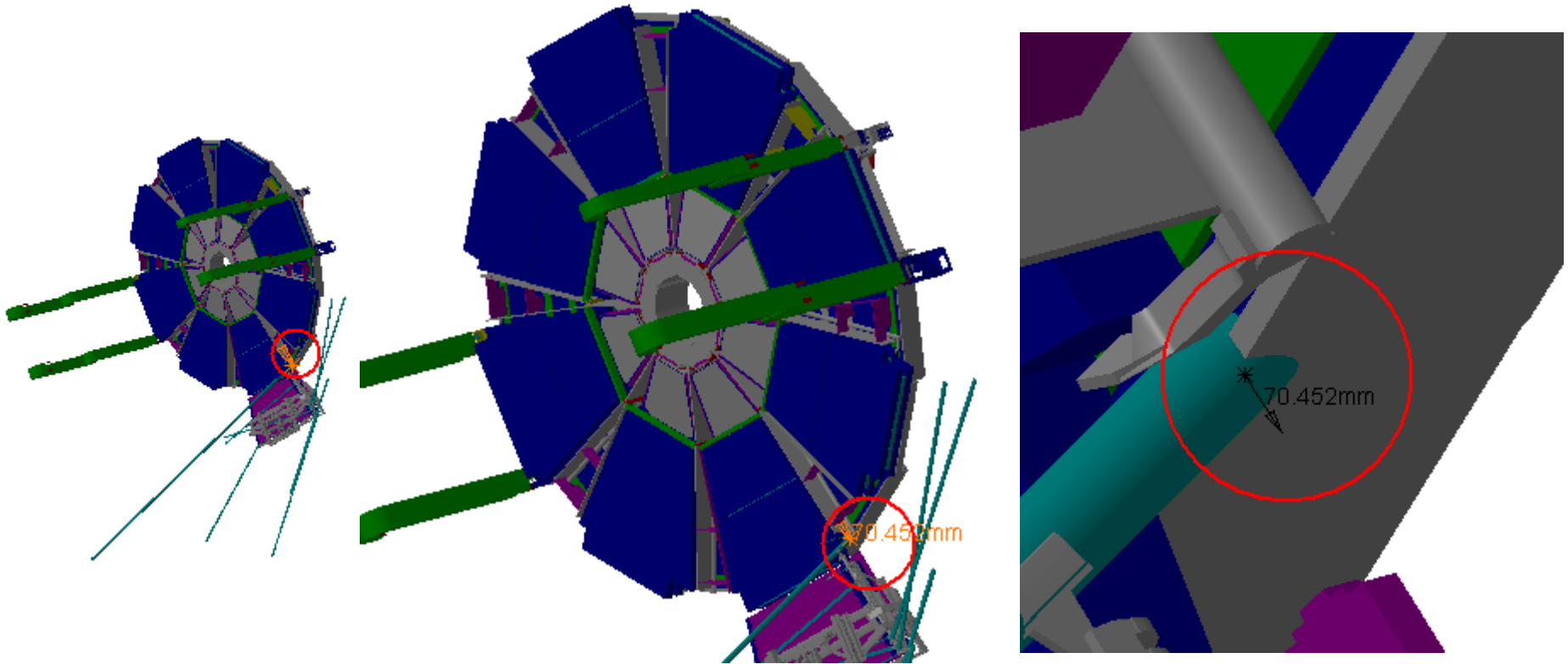


Olga: Relevant holes defined in parameter book
 – BOS model to be updated

Clash View 1:



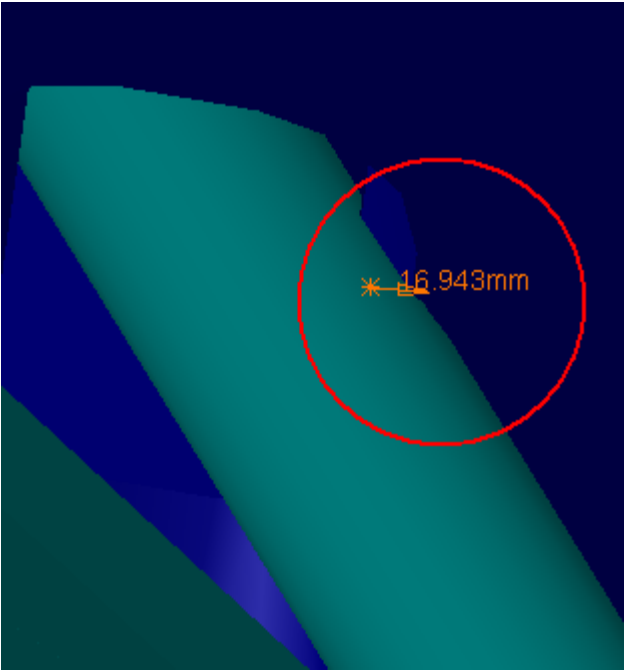
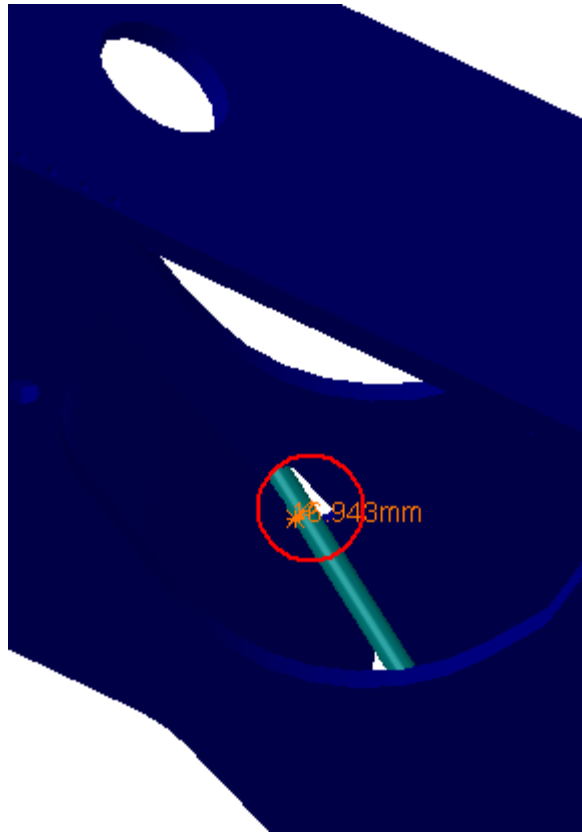
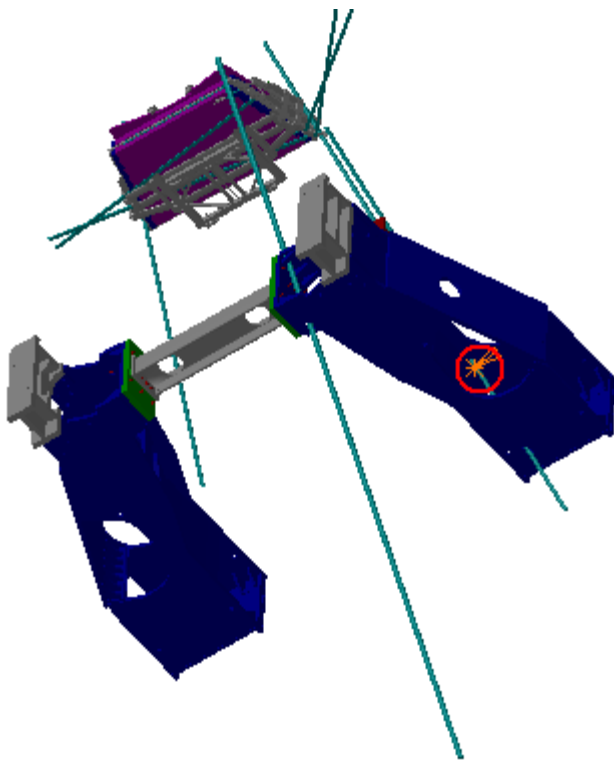
AT632634 MQ Alignment BAR EIL4, Side C, Sector 13	AT592057MQ MQ SW outer Chains	Clash	-70.45mm	Not Relevant
------------------------------------------------------	----------------------------------	-------	----------	--------------



Side C
Sector 13

WARNING

AT632634 MQ Alignment BAR EIL4, Side C, Sector 13	ATCVHB_0005 M EXTREMITY PAIR OF FEET A4 (C4) - DETAILED MODEL FOR STANDARDS	Clash	-16.94mm	Relevant/ Warning
------------------------------------------------------	-----------------------------------------------------------------------------------	-------	----------	----------------------



Side C
Sector 13

Olga: To be carefully checked by alignment installation team

Clash View 1:

