

Clearance Publish

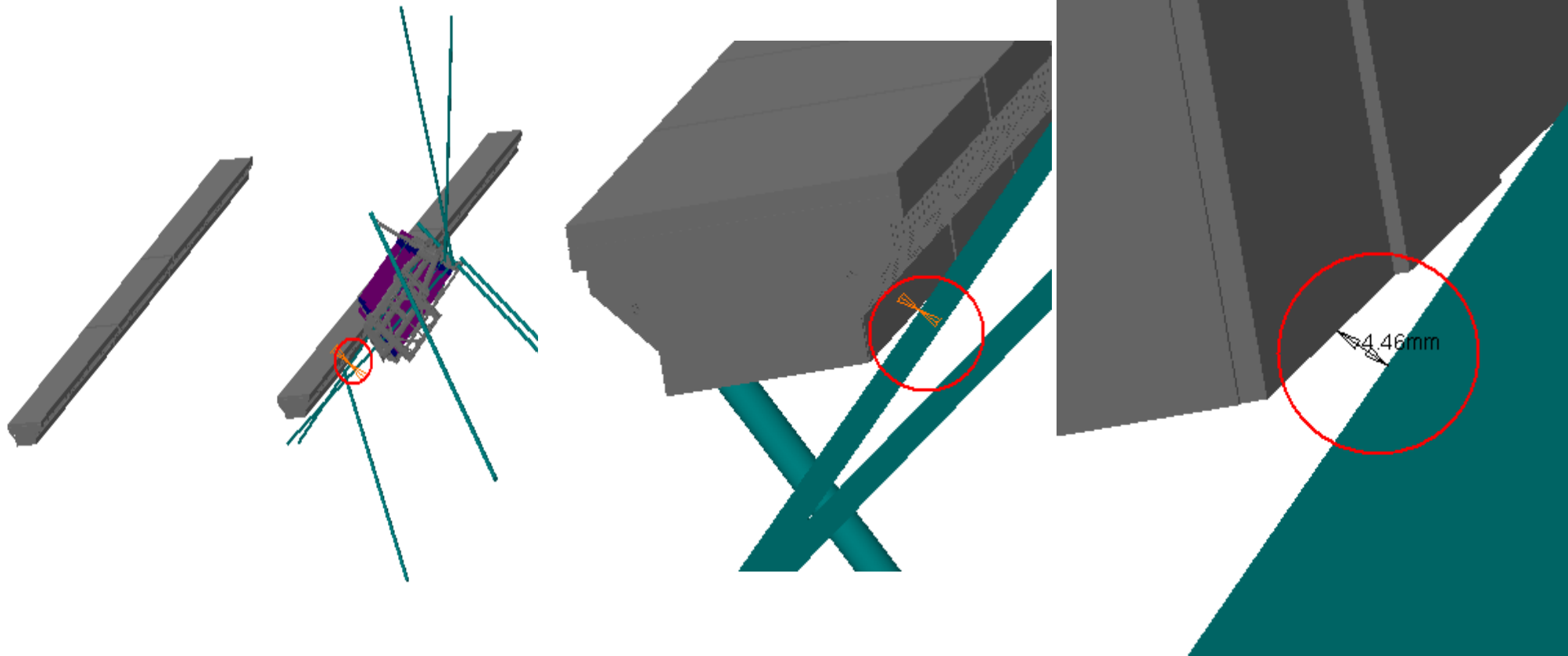
Clearance=50mm



Clearance Computation Specification			
Products Selected			
AT632633 MQ Alignment BAR EIL4, Side C, Sector 11	ATCVHB_0006 CENTRAL PAIR OF FEET B - DETAILED MODEL FOR STANDARDS	4.46	Not inspected
	ATCZ5_0001 Z5 GLOBAL ENVELOPE (SIDE C) - AND LOCATION INTERFACES UNDER CONSTRUCTION	---	--
	AT602161MQ MCB Muon Barrel Chambers Detailed Sec 2	0	Not inspected

Computation Result:

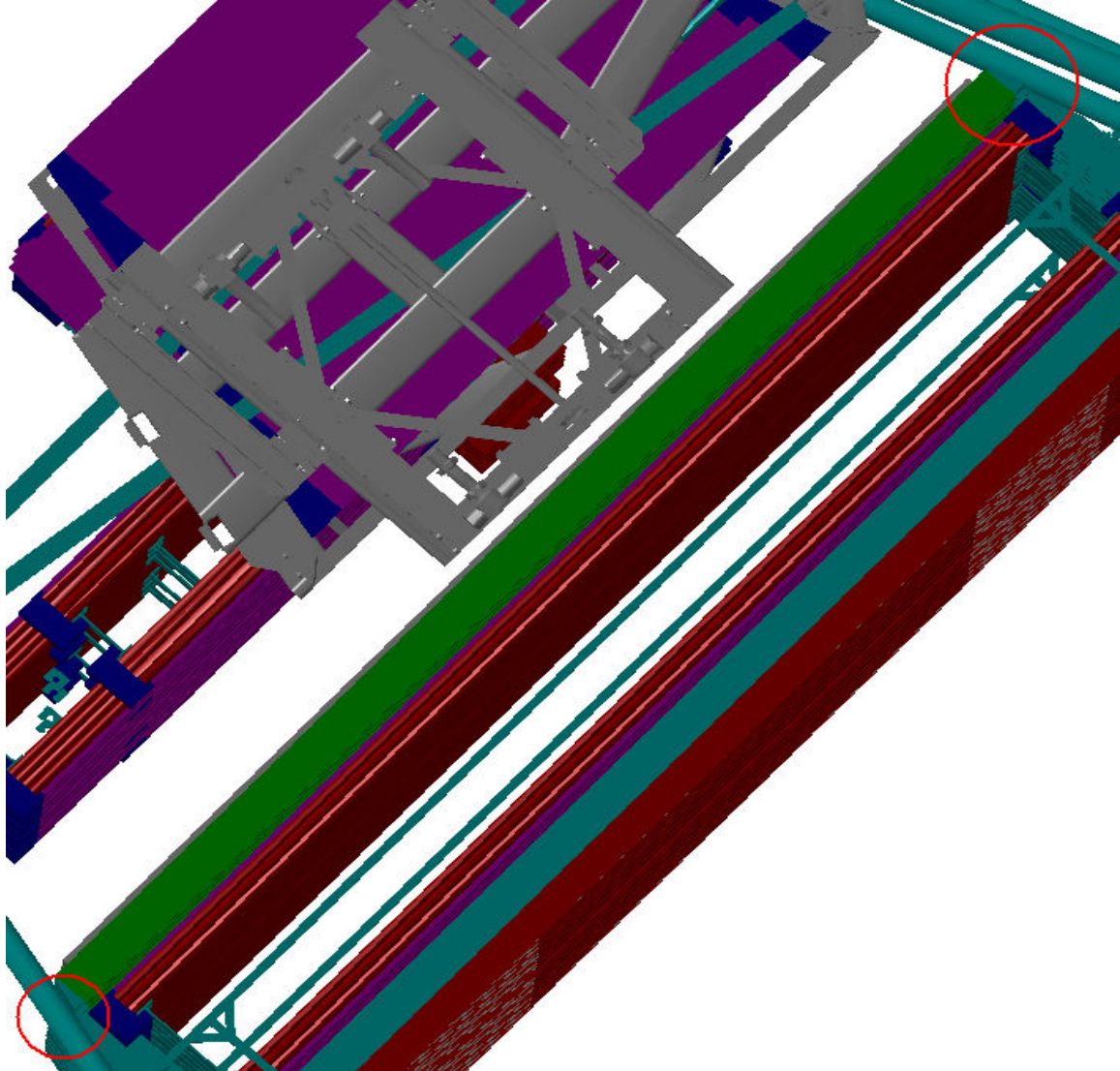
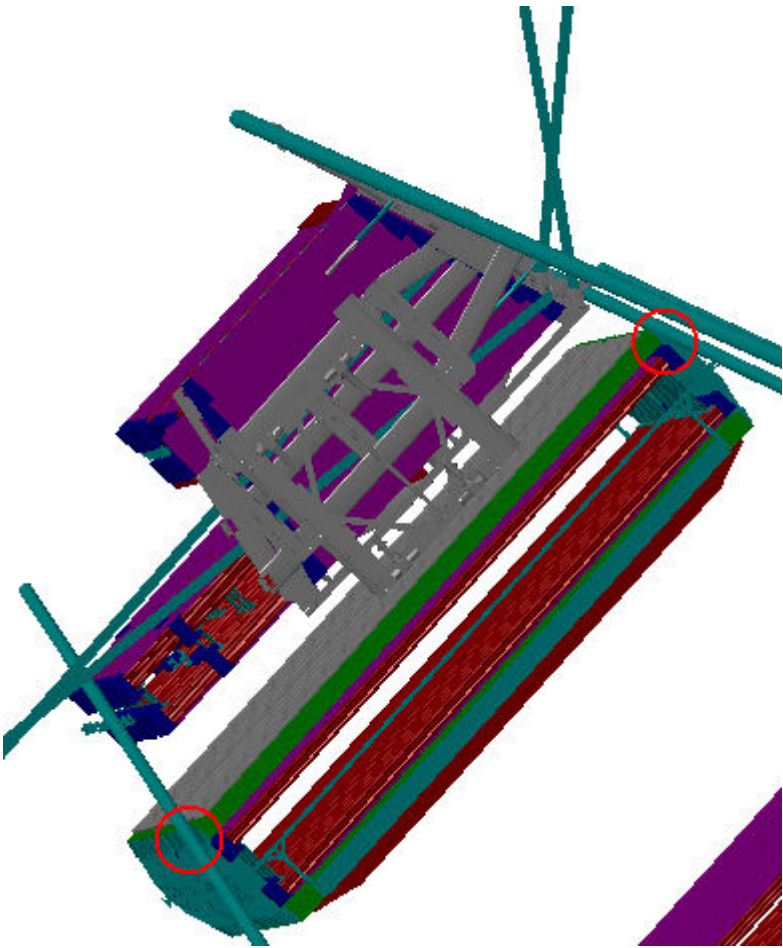
AT632633 MQ Alignment BAR EIL4, Side C, Sector 11	ATCVHB_0006 CENTRAL PAIR OF FEET B - DETAILED MODEL FOR STANDARDS	Vector coordinate $\Delta X=3.19\text{mm}$ $\Delta Y=-0.04\text{mm}$ $\Delta Z=3.12\text{mm}$	4.46mm	Not inspected
--	---	--	--------	---------------



Side C

Sector 11

AT632633 MQ Alignment BAR EIL4, Side C, Sector 11	AT602161MQ MCB Muon Barrel Chambers Detailed Sec 11	Contact	Not inspected
--	--	---------	---------------



Side C
Sector 11