

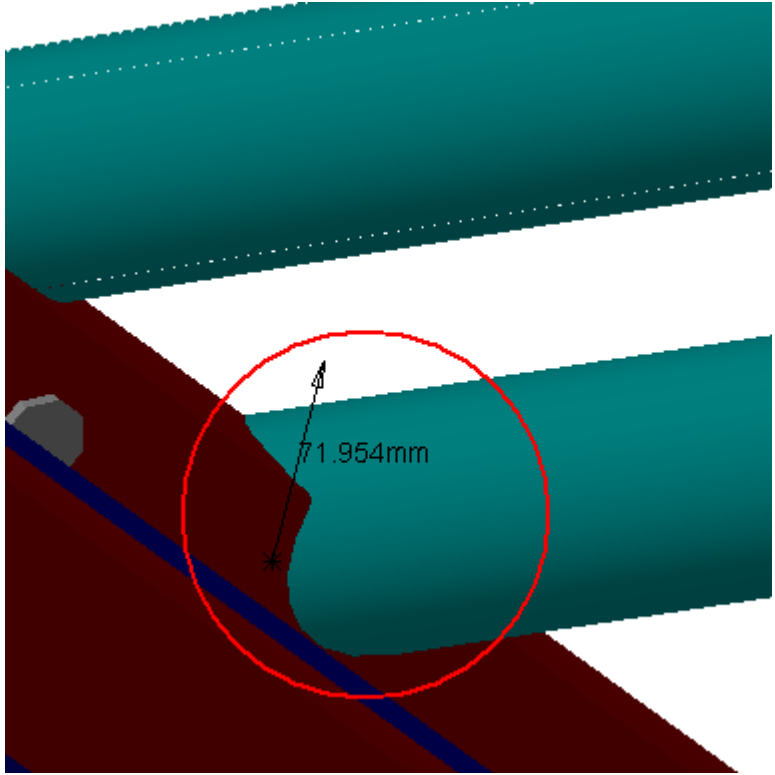
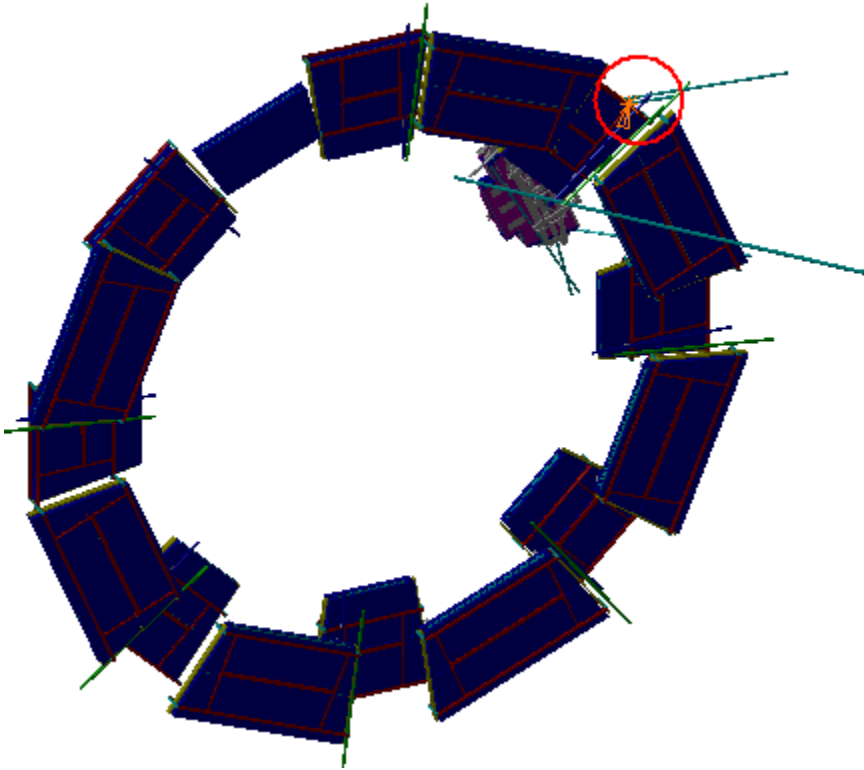
# Clash Publish



Clash Computation Specification			
Products Selected			
AT632632MQ Alignment BAR EIL4, Side C, Sector 9	ATCNMC_0019 MEE CHAMBERS SIDE C - 3D SIMPLIFIED MODEL	-71.95	Not inspected
	ATCNTB_0003 TB WARM STRUCTURE - SIMPLIFIED 3-D OBJECT	-319.28	Not inspected
	ATCNTB_0001 BT8 TB STANDARD COIL - SECTORS 8	-83.92	Not inspected
	ATCNTB_0001 BT10 TB STANDARD COIL - SECTORS 10	-9.63	Not inspected
	AT592057MQ SW outer Chains	-69.07	Not inspected

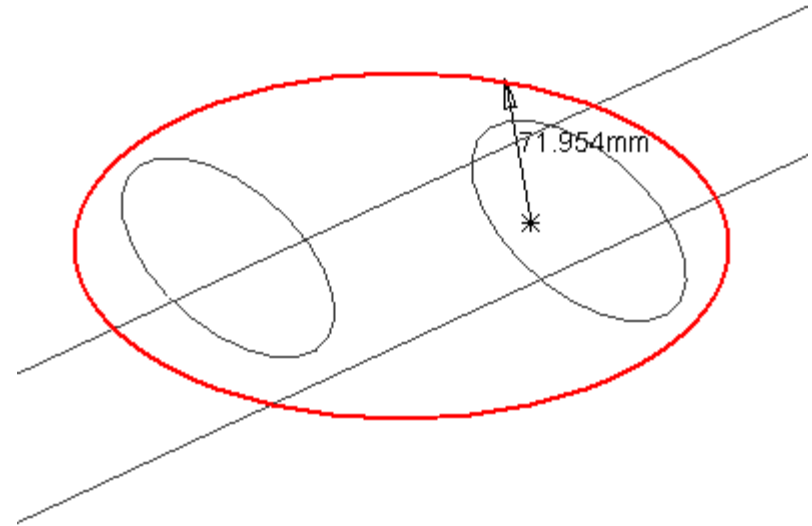
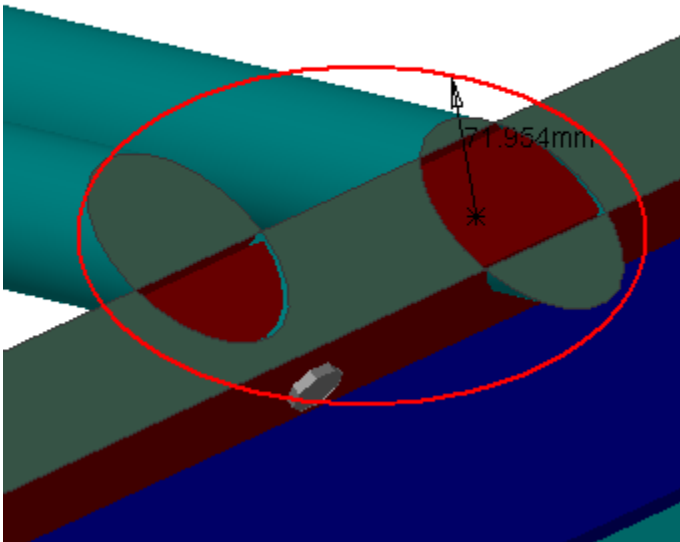
**Computation Result:**

AT632632MQ Alignment BAR EIL4, Side C, Sector 9	ATCNMC_0019 MEE CHAMBERS SIDE C - 3D SIMPLIFIED MODEL	Clash	-71.95	Not inspected
--	--	-------	--------	---------------

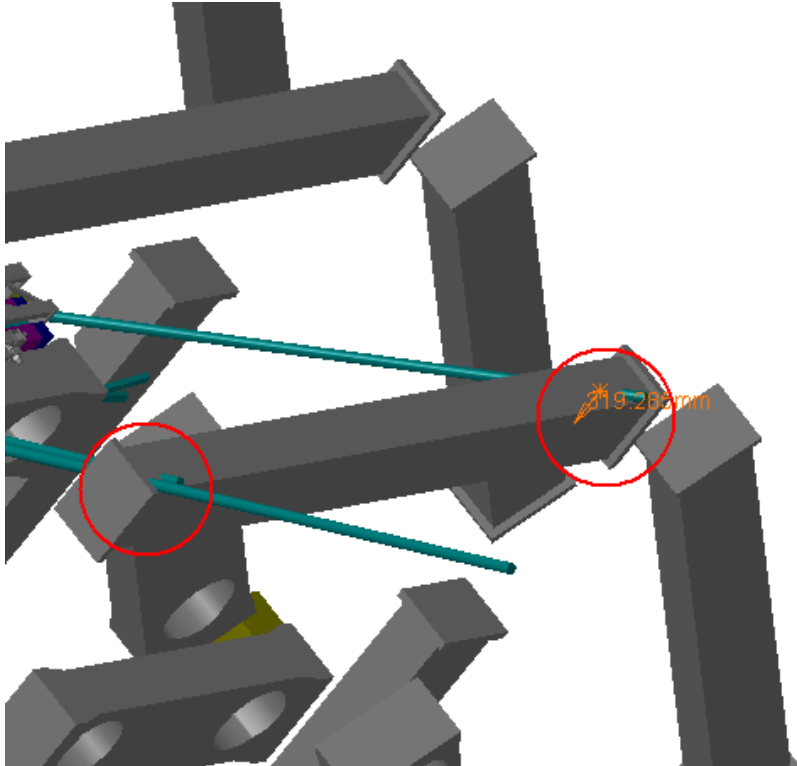
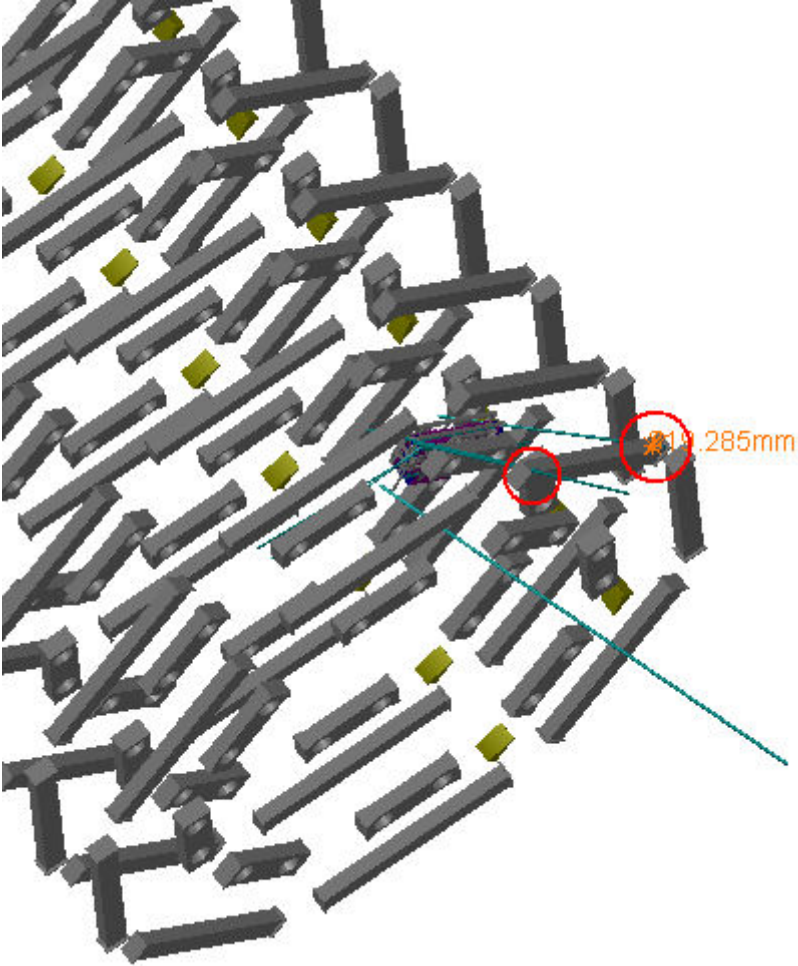


Side C  
Sector 9

# Clash View 1:

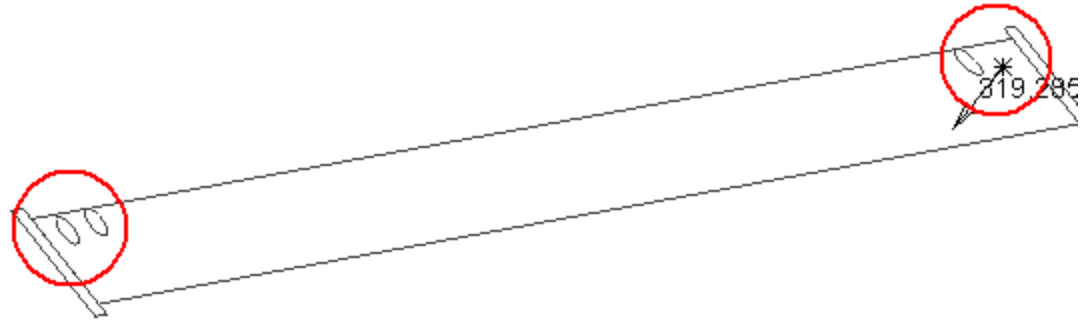
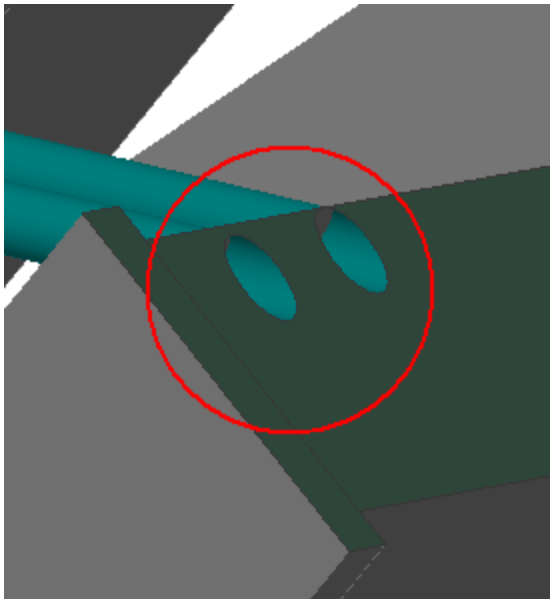
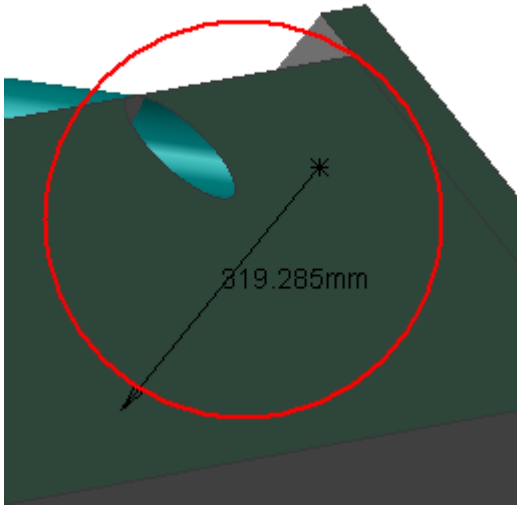


AT632632MQ Alignment BAR EIL4, Side C, Sector 9	ATCNTB_0003 TB WARM STRUCTURE - SIMPLIFIED 3-D OBJECT	Clash	-319.28mm	Not inspected
--	---	-------	-----------	---------------

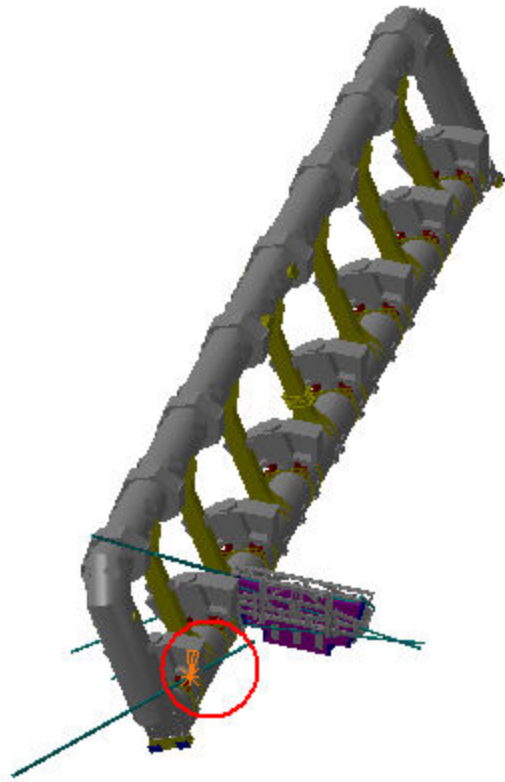


Side C  
Sector 9

# Clash View 1:



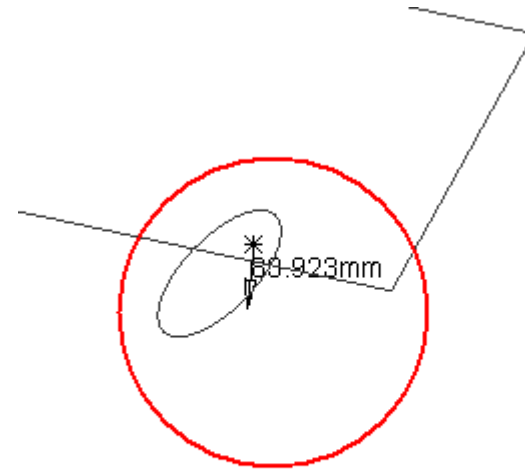
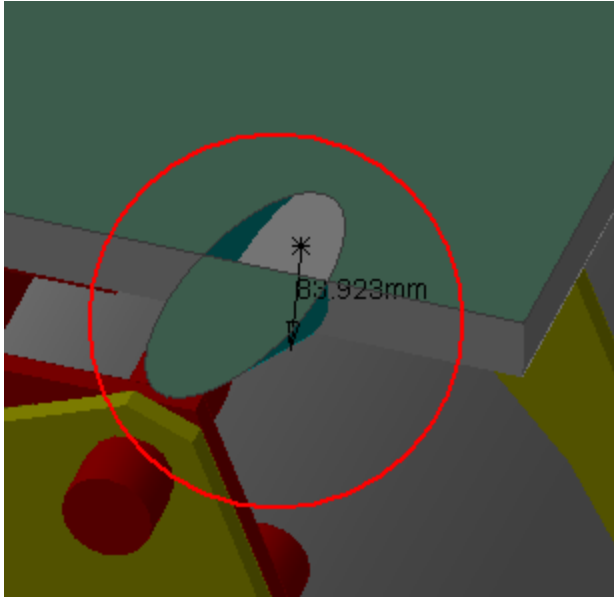
AT632632MQ Alignment BAR EIL4, Side C, Sector 9	ATCNTB_0001 BT8 TB STANDARD COIL - SECTORS 8	Clash	-83.92mm	Not inspected
--	---	-------	----------	---------------



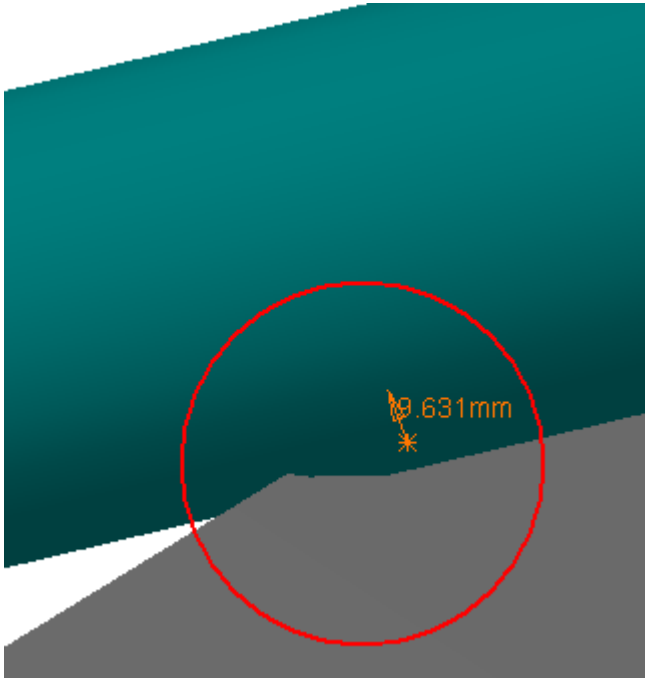
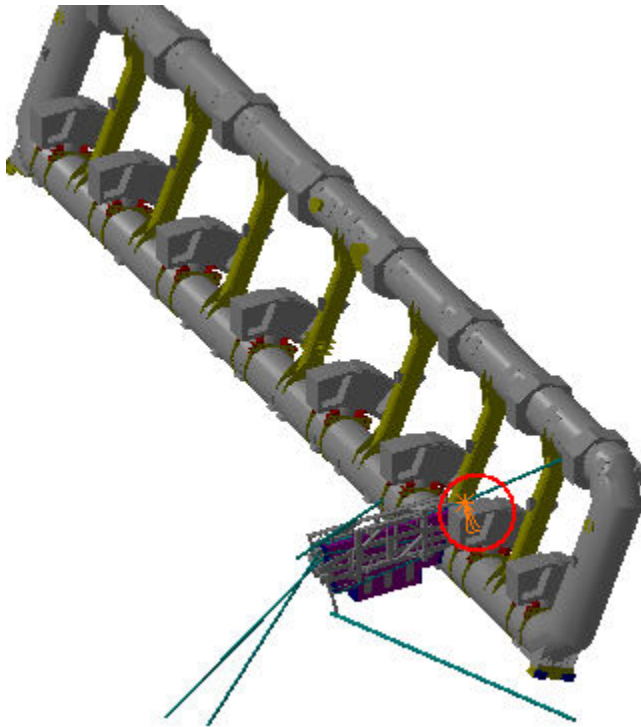
Side C

Sector 9

# Clash View 1:



AT632632MQ Alignment BAR EIL4, Side C, Sector 9	ATCNTB_0001 BT10 TB STANDARD COIL - SECTORS 10	Clash	-9.63mm	Not inspected
--	---	-------	---------	---------------

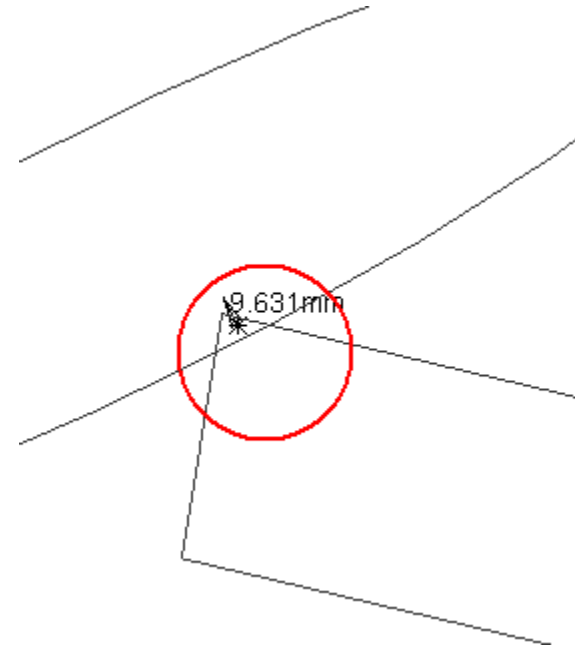
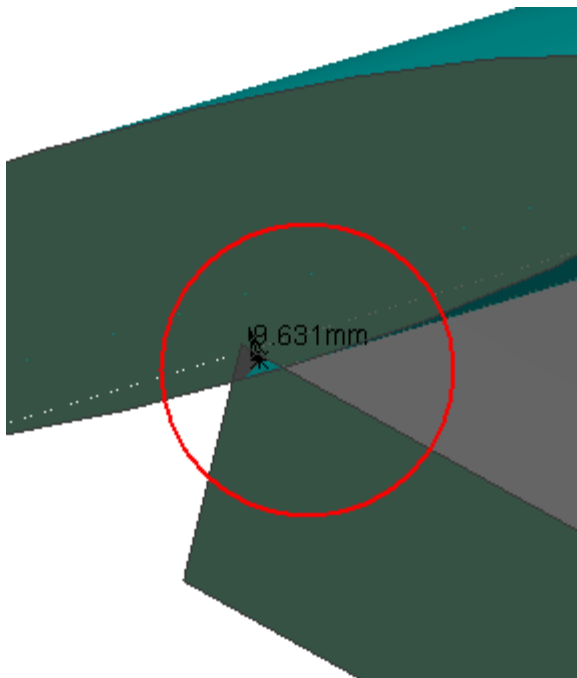


Side C

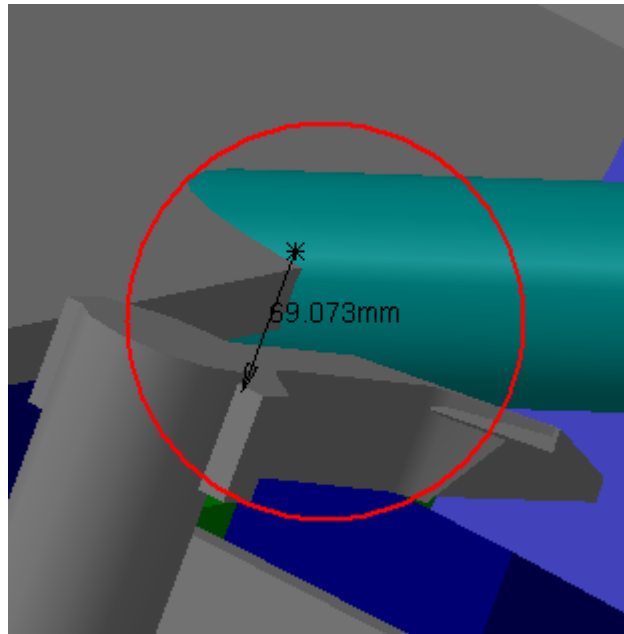
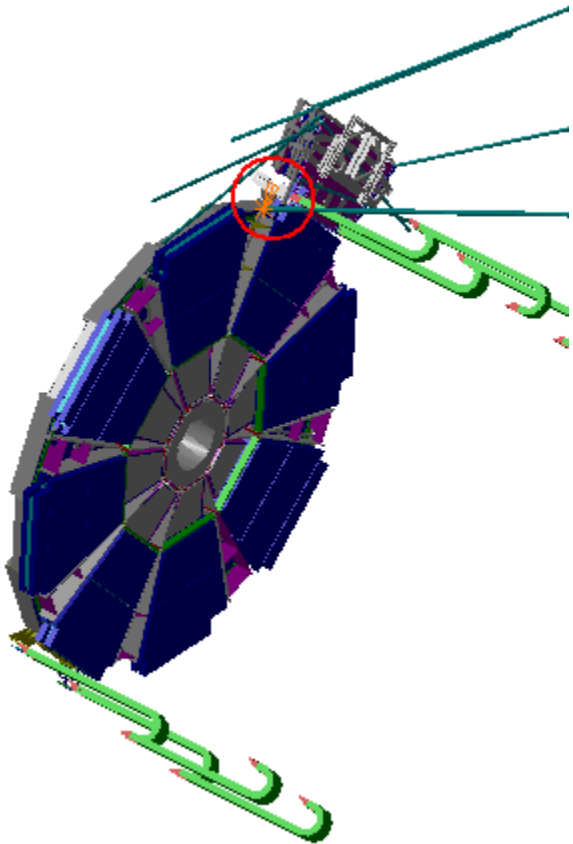
Sector 9



# Clash View 1:



AT632632MQ Alignment BAR EIL4, Side C, Sector 9	AT592057MQ SW outer Chains	Clash	-69.07mm	Not inspected
--	-------------------------------	-------	----------	---------------



Side C  
Sector 9

# Clash View 1:

