

Clearance Publish

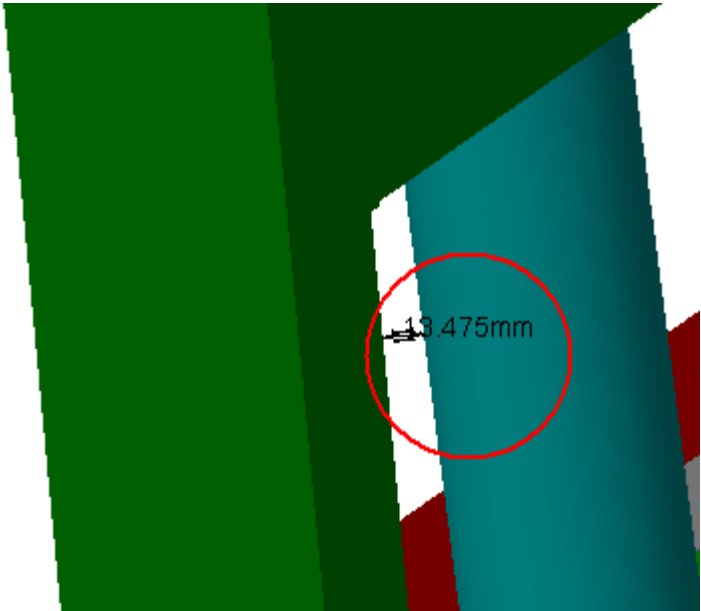
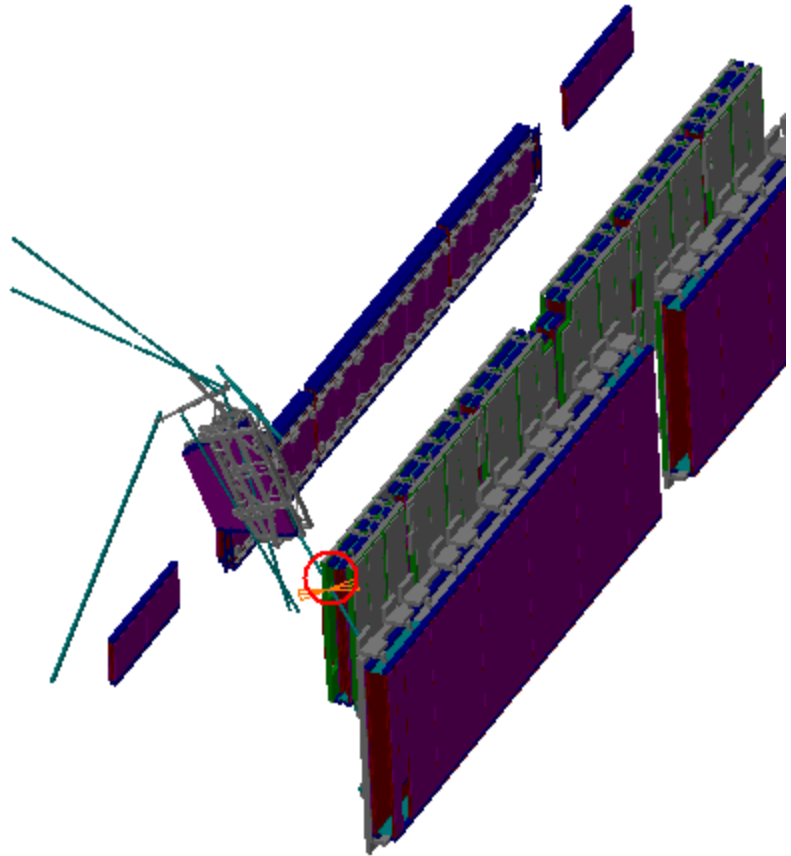
Clearance=50mm



Clearance Computation Specification			
Products Selected			
AT632631 MQ Alignment BAR EIL4, Side C, Sector 7	AT602159MQ MCB Muon Barrel Chambers Detailed Sec 8	13.47	Not inspected
	ATCZ5_0001 Z5 GLOBAL ENVELOPE (SIDE C) - AND LOCATION INTERFACES UNDER CONSTRUCTION	---	---
	AT602157MQ MCB Muon Barrel Chambers Detailed Sec 7	0	Not inspected

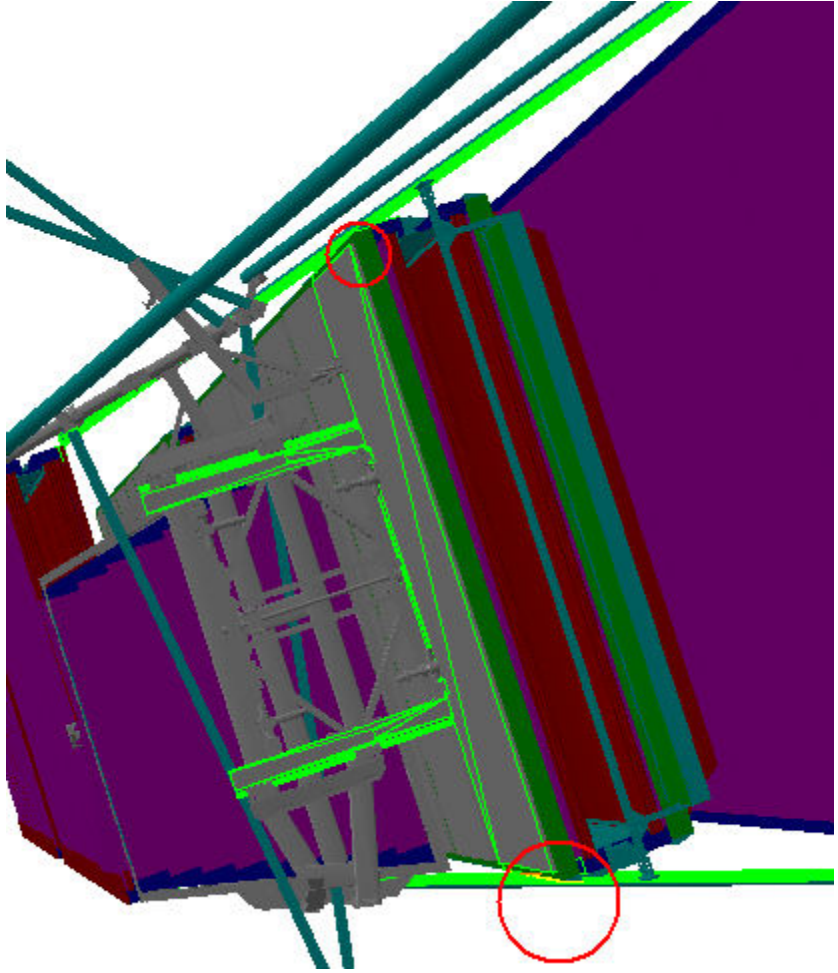
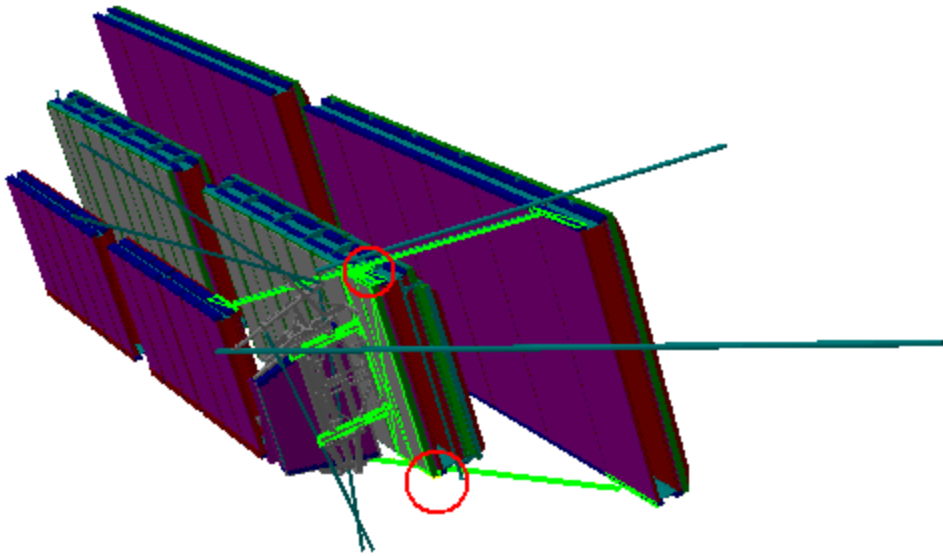
Computation Result:

AT632631 MQ Alignment BAR EIL4, Side C, Sector 7	AT602159MQ MCB Muon Barrel Chambers Detailed Sec 8	Vector coordinate $\Delta X=9.47\text{mm}$ $\Delta Y=8.79\text{mm}$ $\Delta Z=-3.82\text{mm}$	13.41mm	Not inspected
---	---	--	---------	---------------



Side C
Sector 7

AT632631 MQ Alignment BAR EIL4, Side C, Sector 7	AT602157MQ MCB Muon Barrel Chambers Detailed Sec 7	Contact	Not inspected
---	---	---------	---------------



Side C
Sector 7