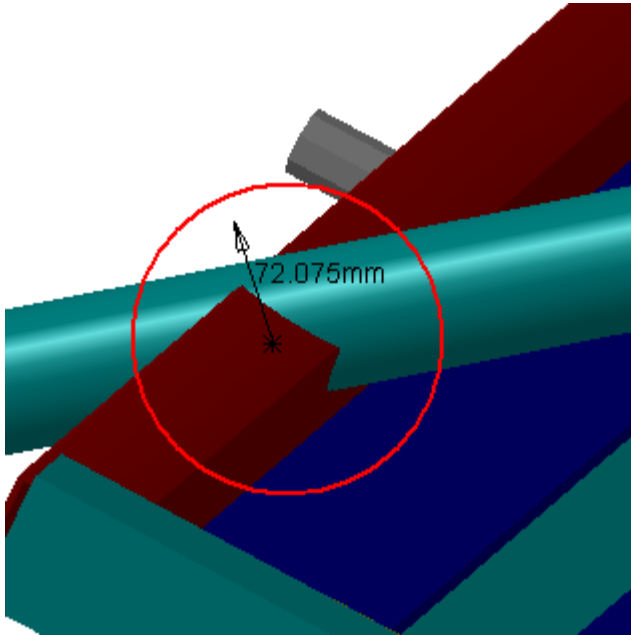
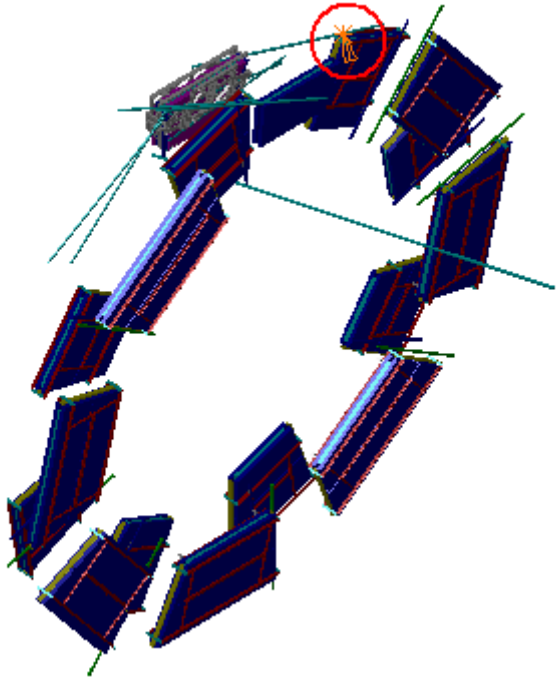


Clash Publish



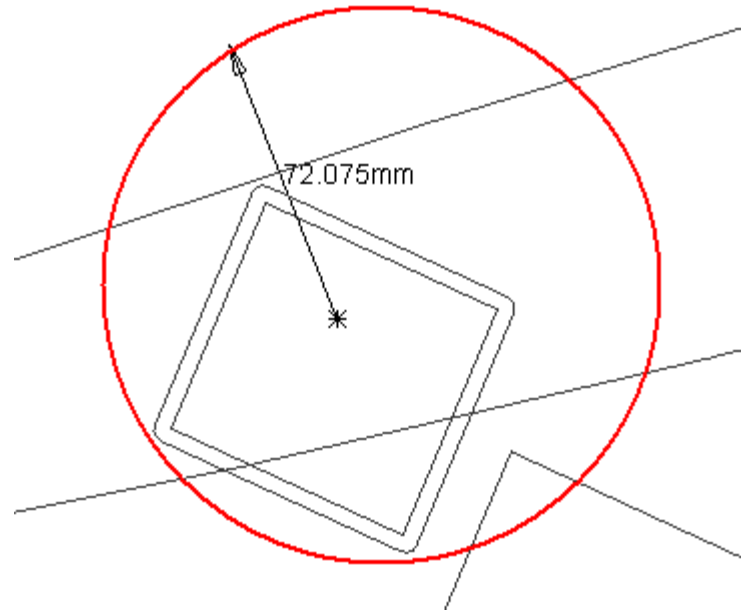
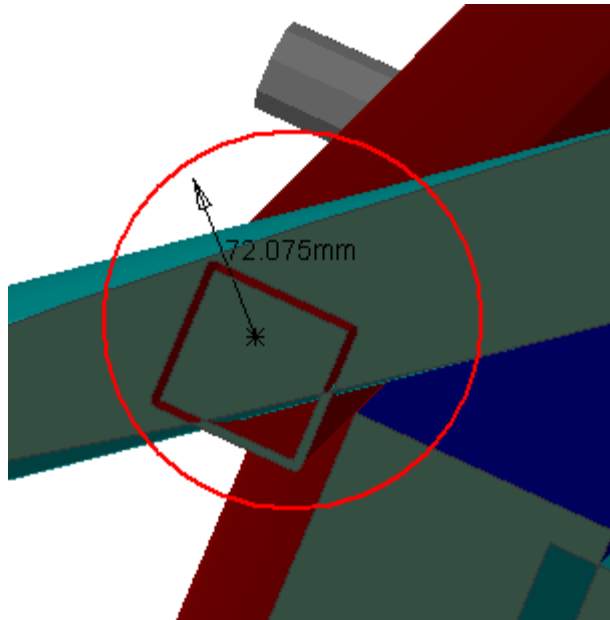
Clash Computation Specification			
Products Selected			
AT632630 MQ Alignment BAR EIL4, Side C, Sector 5	ATCNMC_0019 MEE CHAMBERS SIDE C - 3D SIMPLIFIED MODEL	-72.07	Warning
	ATCNTB_0003 TB WARM STRUCTURE - SIMPLIFIED 3-D OBJECT	-322.66	Not Relevant
	ATCNTB_0001 BT4 TB STANDARD COIL - SECTORS 4	-83.92	Relevant
	ATCNTB_0001 BT6 TB STANDARD COIL - SECTORS 6	-9.63	Not Relevant
	AT592057MQ MQ SW outer Chains	-70.4	Not Relevant

AT632630 MQ Alignment BAR EIL4, Side C, Sector 5	ATCNMC_0019 MEE CHAMBERS SIDE C - 3D SIMPLIFIED MODEL	Clash	-72.07mm	Warning
---	--	-------	----------	---------

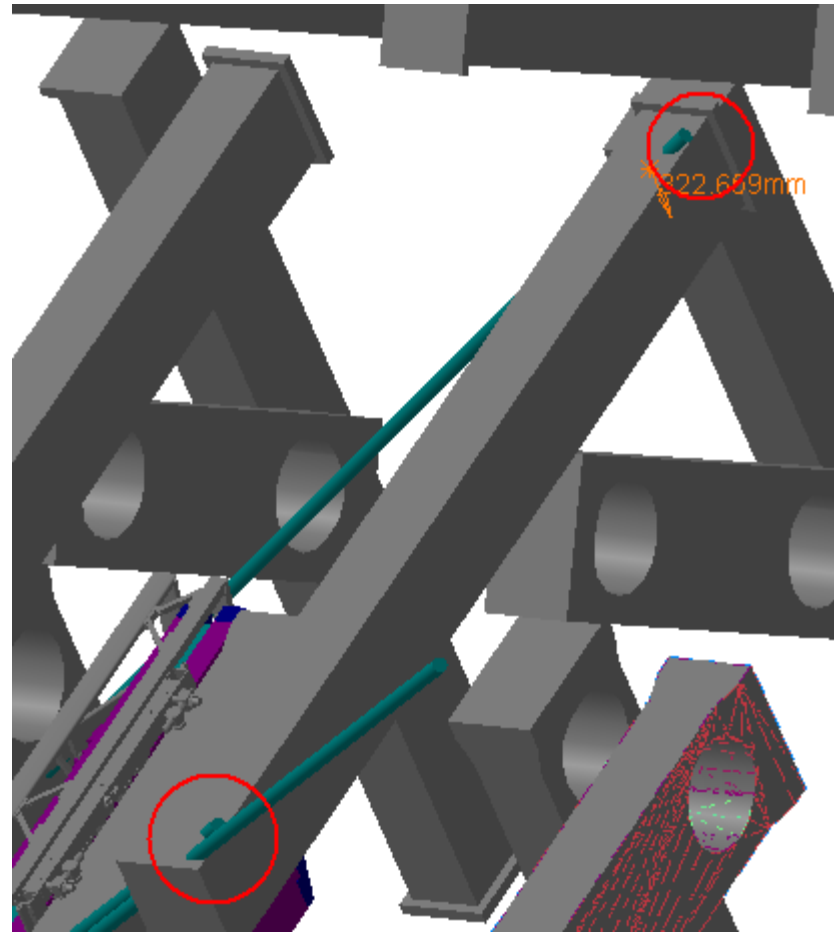
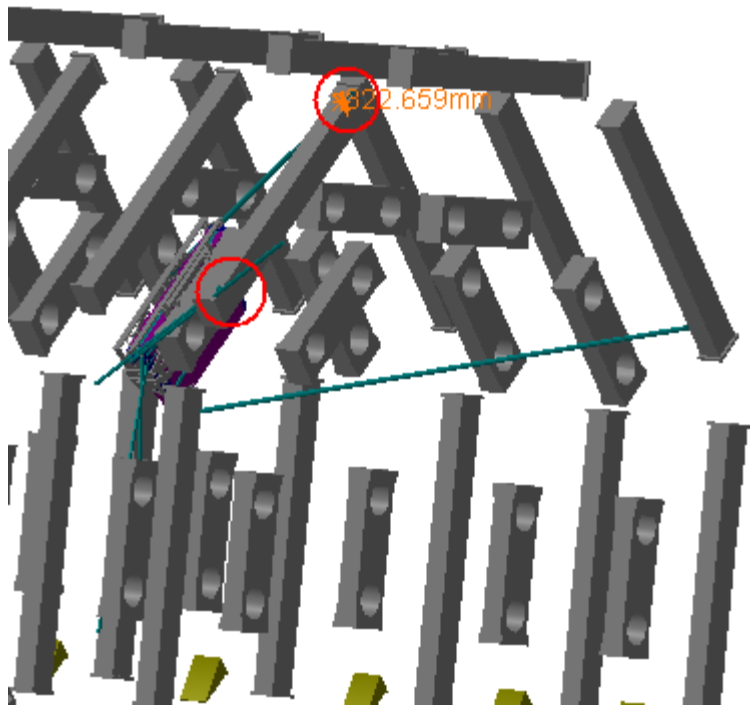


Giancarlo: Warning for future

Clash View 1:



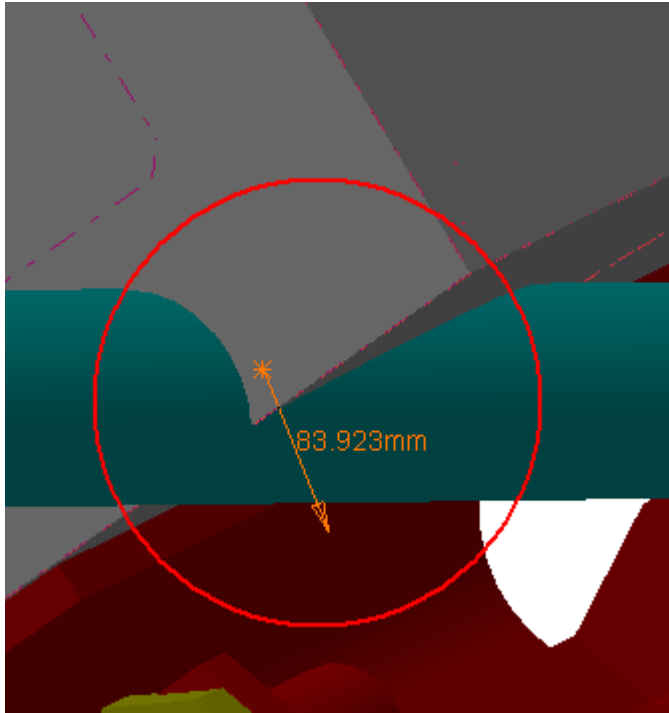
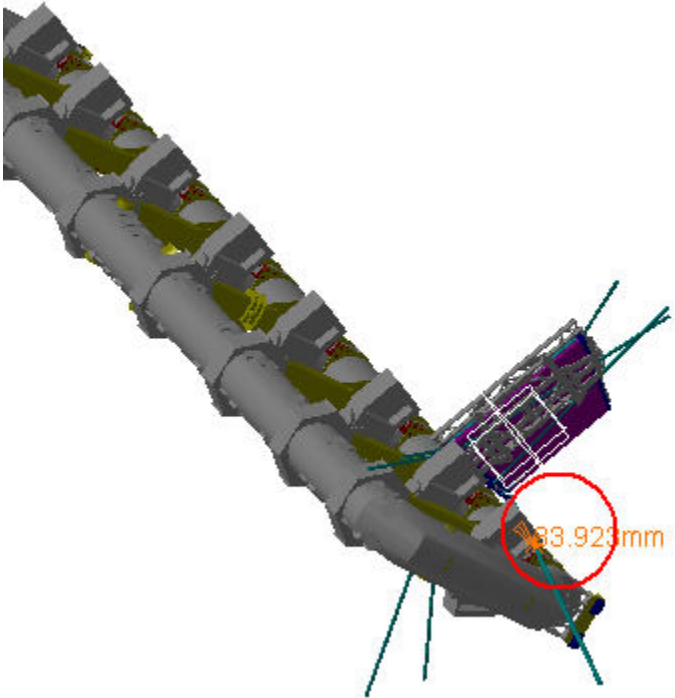
AT632630 MQ Alignment BAR EIL4, Side C, Sector 5	ATCNTB_0003 TB WARM STRUCTURE - SIMPLIFIED 3-D OBJECT	Clash	-322.66mm	Not Relevant
---	---	-------	-----------	--------------



Side C
Sector 5

RELEVANT

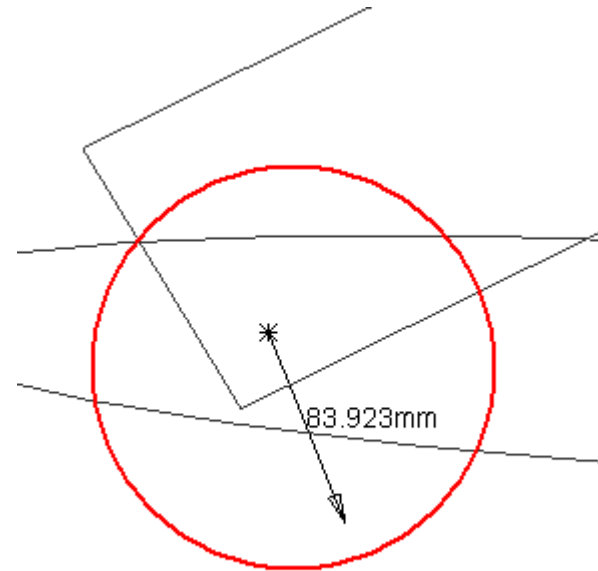
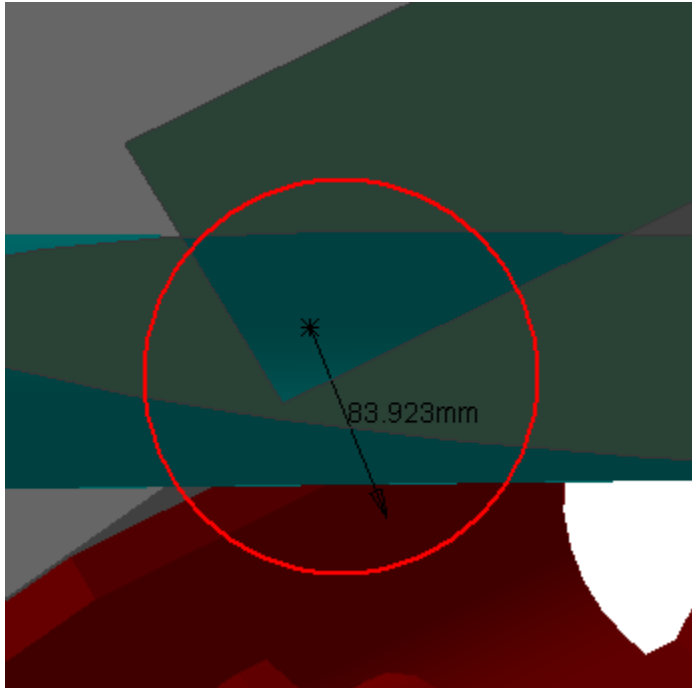
AT632630 MQ Alignment BAR EIL4, Side C, Sector 5	ATCNTB_0001 BT4 TB STANDARD COIL - SECTORS 4	Clash	-83.92mm	Relevant
---	---	-------	----------	----------



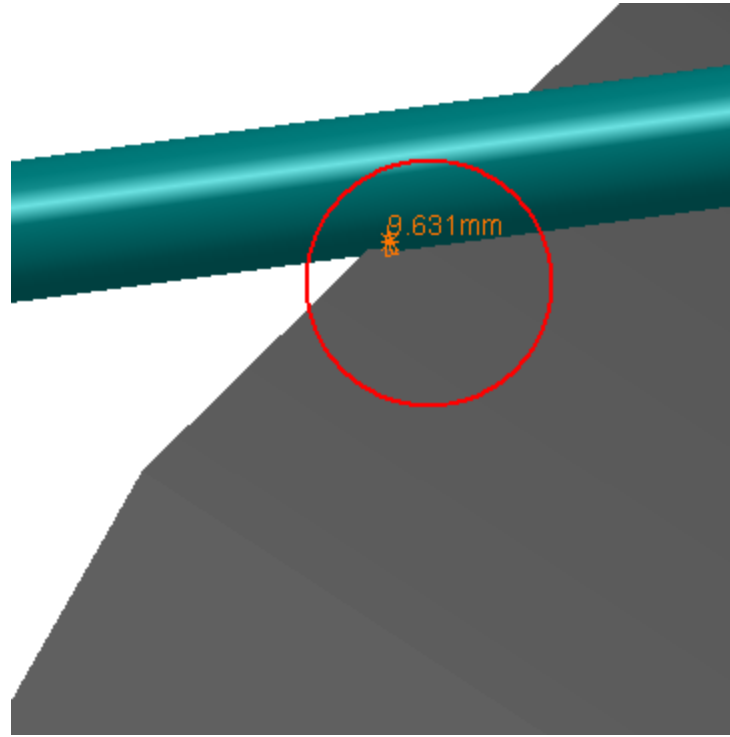
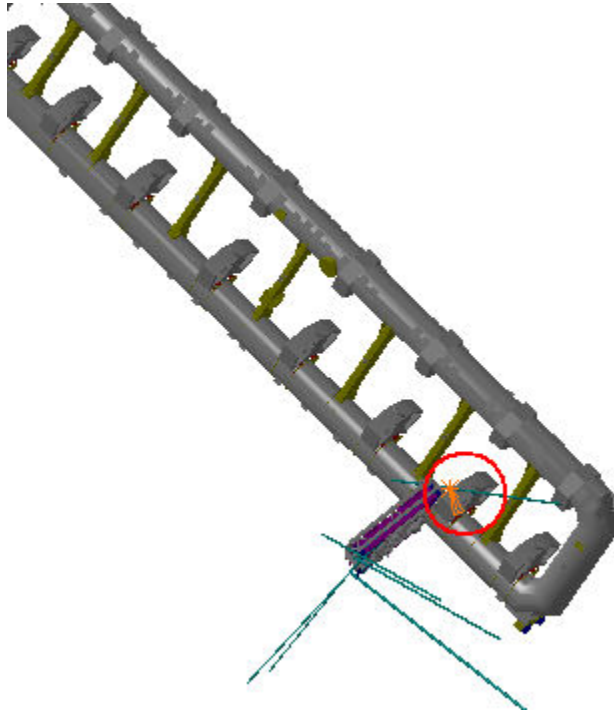
Side C
Sector 5

Lasha: To be checked in Cavern

Clash View 1:



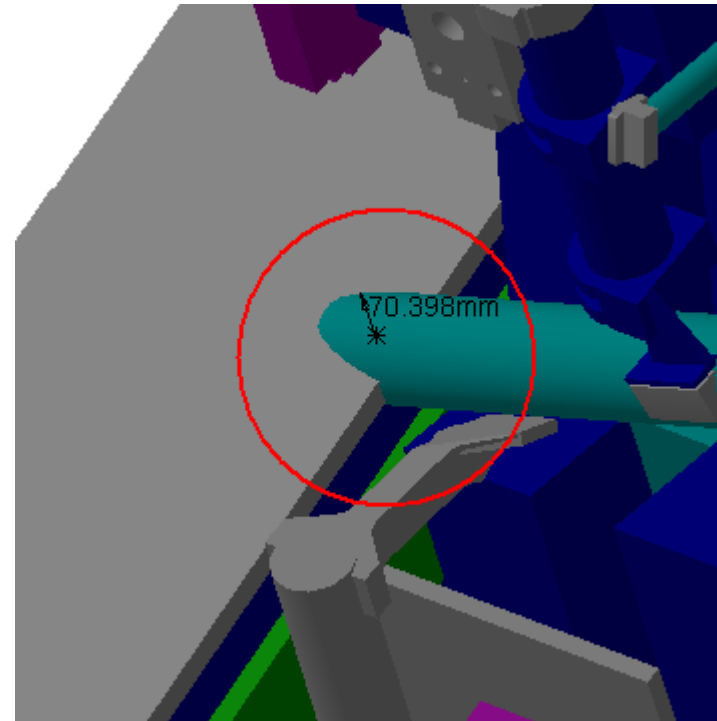
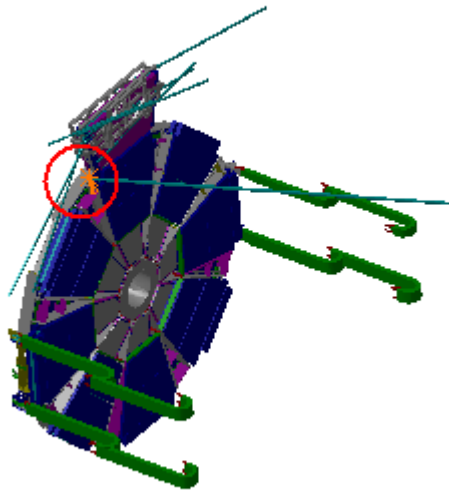
AT632630 MQ Alignment BAR EIL4, Side C, Sector 5	ATCNTB_0001 BT6 TB STANDARD COIL - SECTORS 6	Clash	-9.63mm	Not Relevant
---	---	-------	---------	--------------



Side C
Sector 5

Lasha: I have checked in Cavern and cutout exists. So it is N.R.

AT632630 MQ Alignment BAR EIL4, Side C, Sector 5	AT592057MQ MQ SW outer Chains	Clash	-70.4mm	Not Relevant
---	----------------------------------	-------	---------	--------------



Side C
Sector 5