

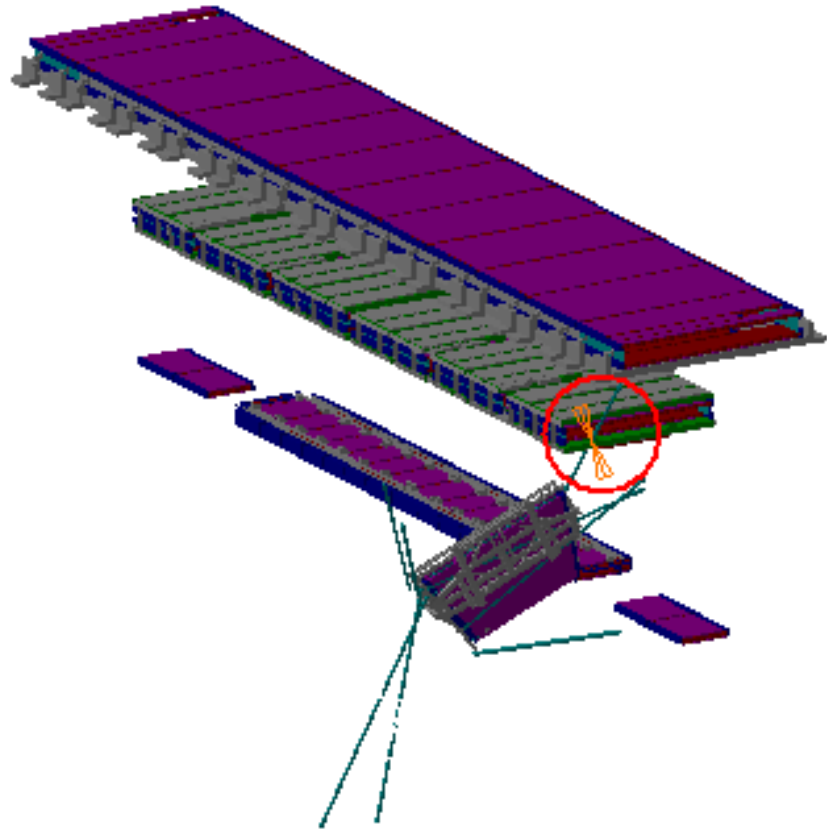
Clearance Publish

Clearance=50mm



Clearance Computation Specification			
Products Selected			
AT632629 MQ Alignment BAR EIL4, Side C, Sector 3	AT602154MQ MCB Muon Barrel Chambers Detailed Sec 2	13.47	Relevant
	ATCZ5_0001 Z5 GLOBAL ENVELOPE (SIDE C) - AND LOCATION INTERFACES UNDER CONSTRUCTION	---	Waiting New Version
	AT602155MQ MCB Muon Barrel Chambers Detailed Sec 3	0	Relevant

AT632629 MQ Alignment BAR EIL4, Side C, Sector 3	AT602154MQ MCB Muon Barrel Chambers Detailed Sec 2	Vector coordinate $\Delta X=-3.92\text{mm}$ $\Delta Y=8.86\text{mm}$ $\Delta Z=-9.36\text{mm}$	13.47mm	Relevant
---	---	---	---------	----------



Sector 3

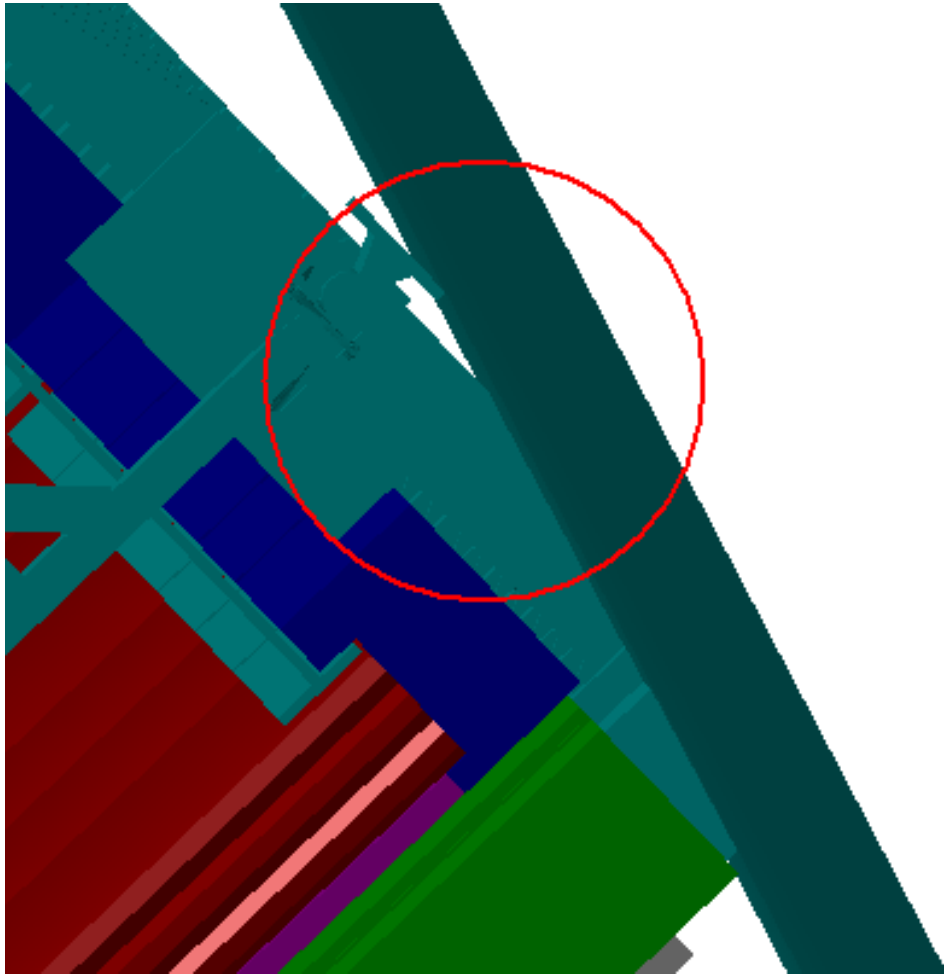
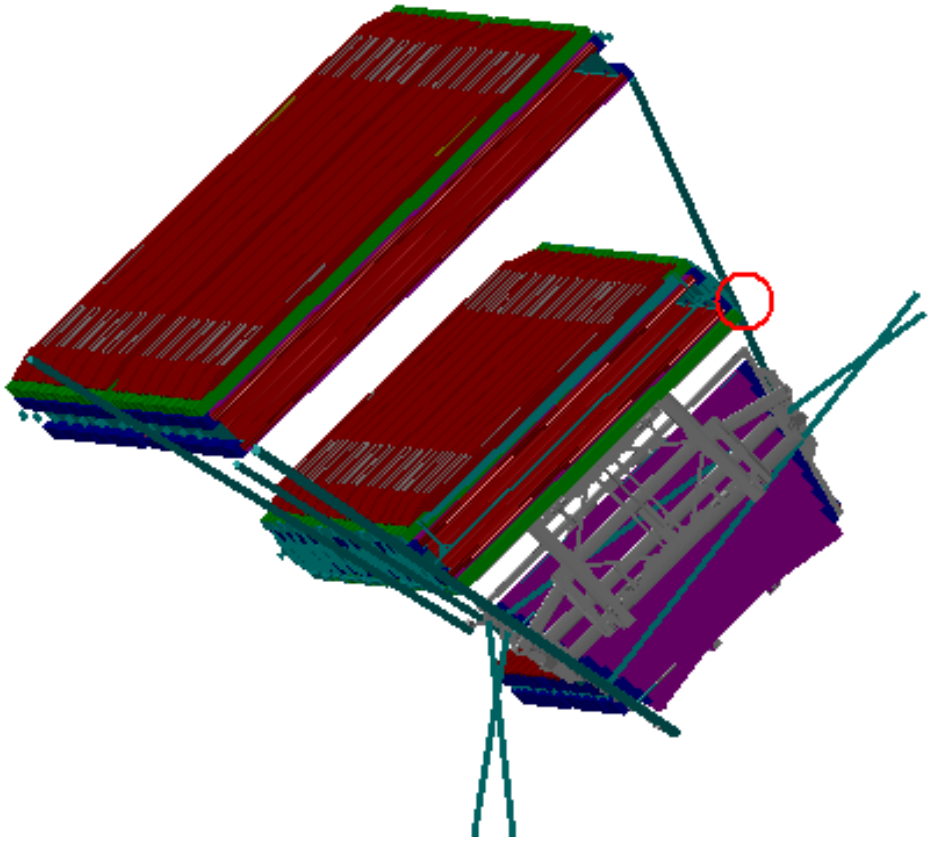
AT632629 MQ Alignment BAR EIL4,
Side C, Sector 3

AT602155MQ MCB Muon Barrel
Chambers Detailed Sec 3

Contact

0mm

Relevant



Side C
Sector 3