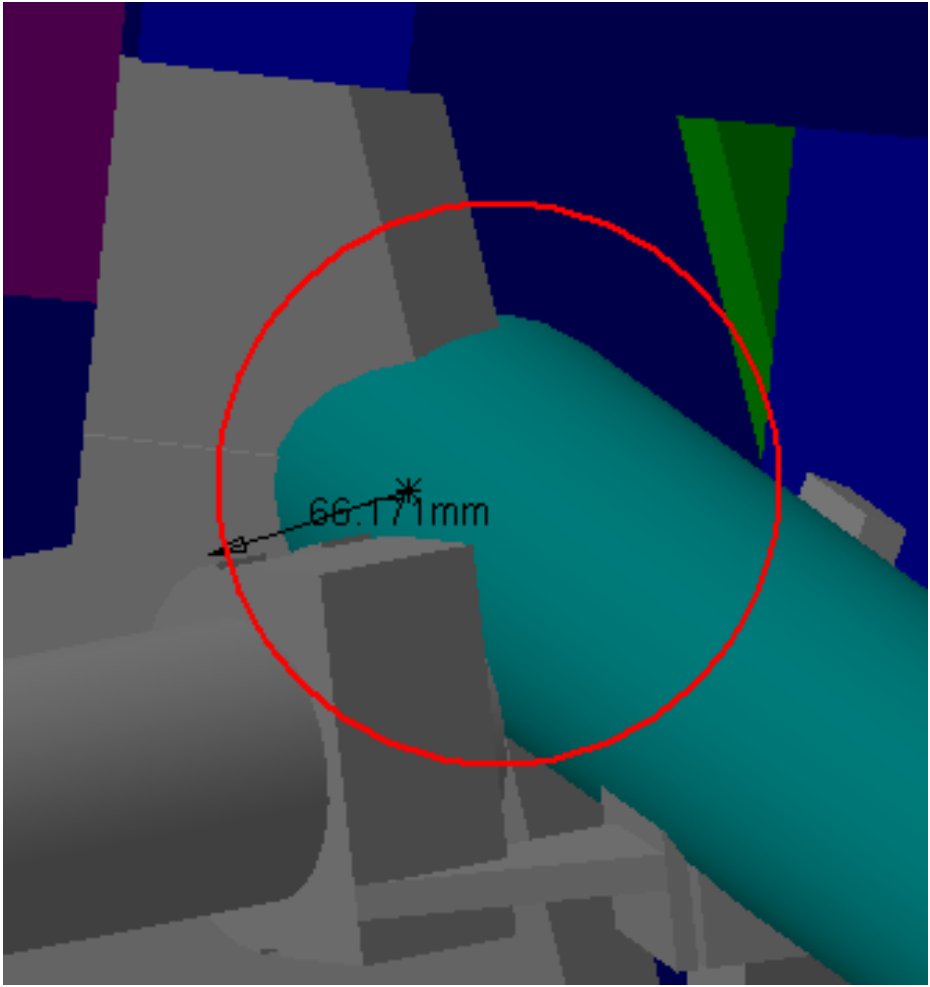
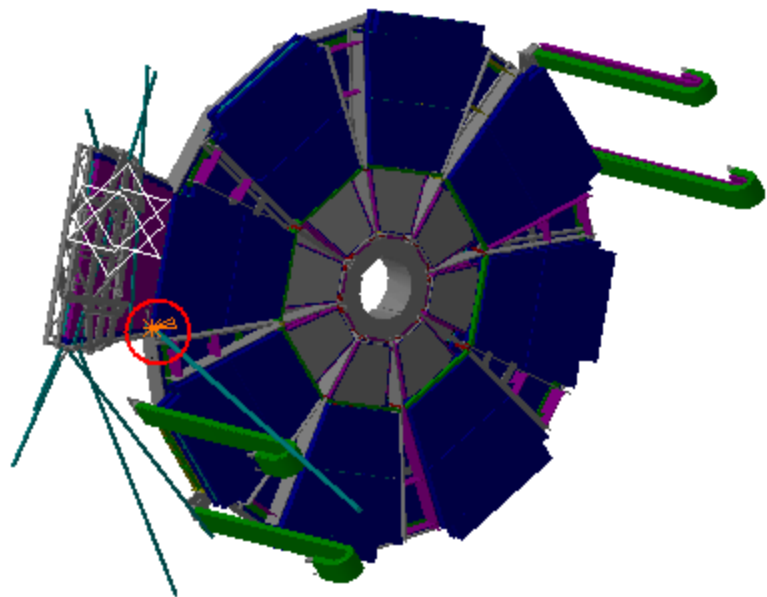


Clash Publish



Clash Computation Specification			
Products Selected			
AT632629 MQ Alignment BAR EIL4, Side C, Sector 3	ATCNMC_0018 SMALL WHEEL (SIDE C) - SIMPLIFIED 3-D OBJECT	-66.17	Not Relevant
	ATCNMC_0019 MEE CHAMBERS SIDE C - 3D SIMPLIFIED MODEL	-72	Warning
	ATCNMA_0002 BARREL PROJECTIVE ALIGNMENT. - SIMPLE 3-D MODEL. SECTOR 3.	-91.44	Not Relevant
	ATCNMA__0010 END CAP ALIGNMENT SIDE "C" - SIMPLE 3-D MODEL	-99.27	Not Relevant
	ATCNTB_0003 TB WARM STRUCTURE - SIMPLIFIED 3-D OBJECT	-374.51	Not Relevant
	ATCNTB_0001 BT2 TB STANDARD COIL - SECTORS 2	-83.93	Not Relevant
	ATCNTB_0001 BT4 TB STANDARD COIL - SECTORS 4	-9.63	Not Relevant
	AT592057MQ SW outer Chains	-66.39	Not Relevant
	AT602154MQ MCB Muon Barrel Chambers Detailed Sector 2	-720.69	Relevant

AT632629 MQ Alignment BAR EIL4, Side C, Sector 3	ATCNMC_0018 SMALL WHEEL (SIDE C) - SIMPLIFIED 3-D OBJECT	Clash	-66.17	Not Relevant
---	---	-------	--------	--------------



Side C
Sector 3

WARNING

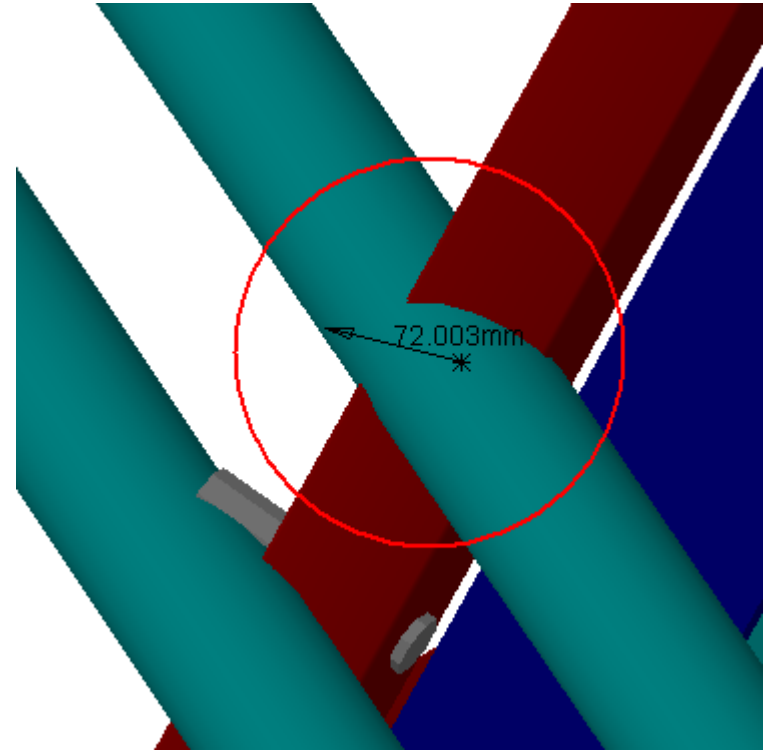
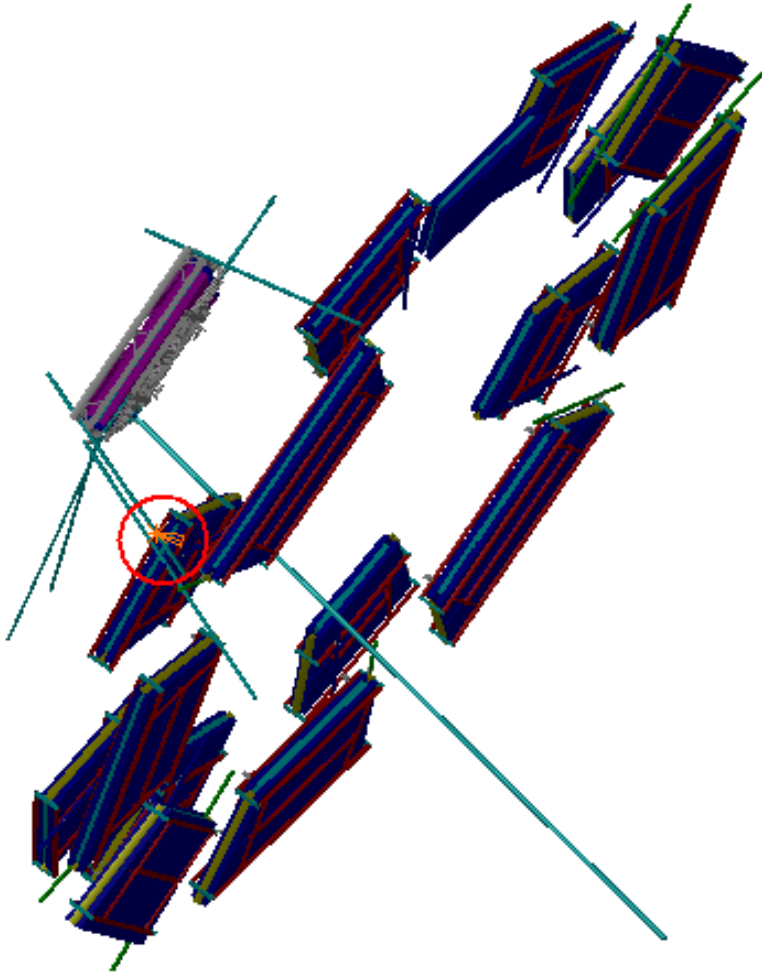
AT632629 MQ Alignment BAR
EIL4, Side C, Sector 3

ATCNMC_0019 MEE
CHAMBERS SIDE C - 3D
SIMPLIFIED MODEL

Clash

-72mm

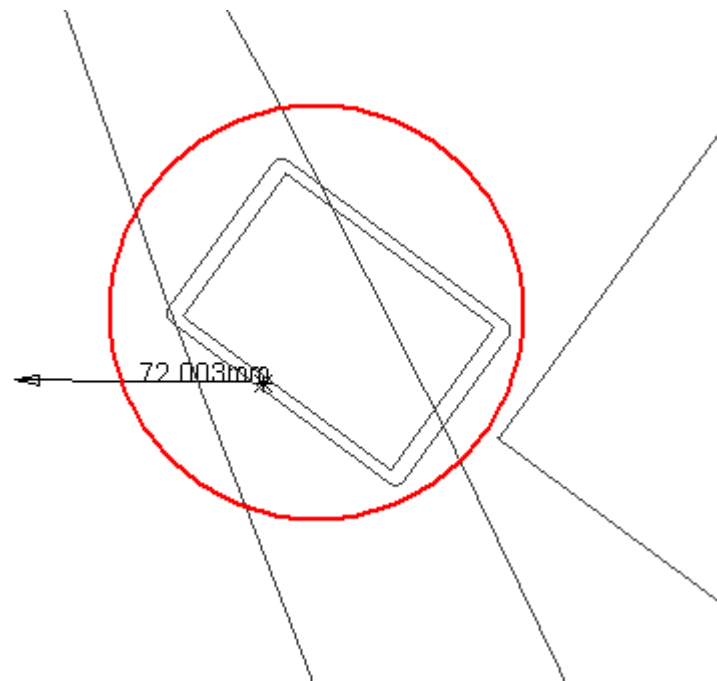
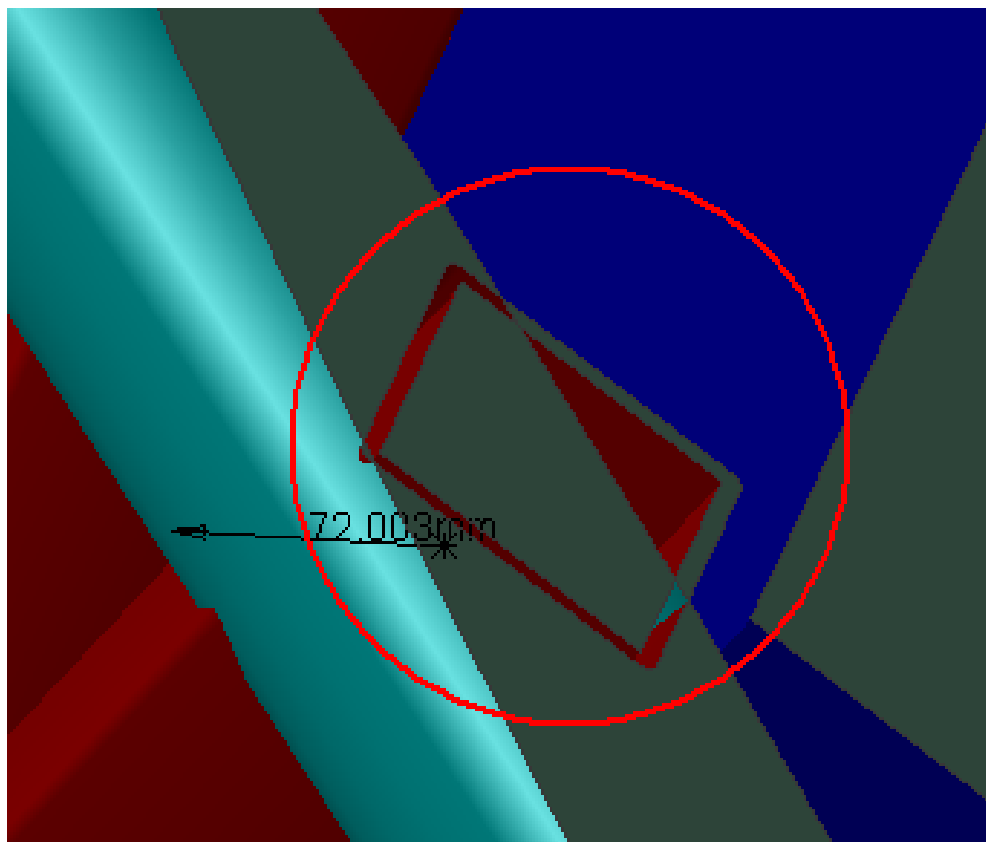
Warning



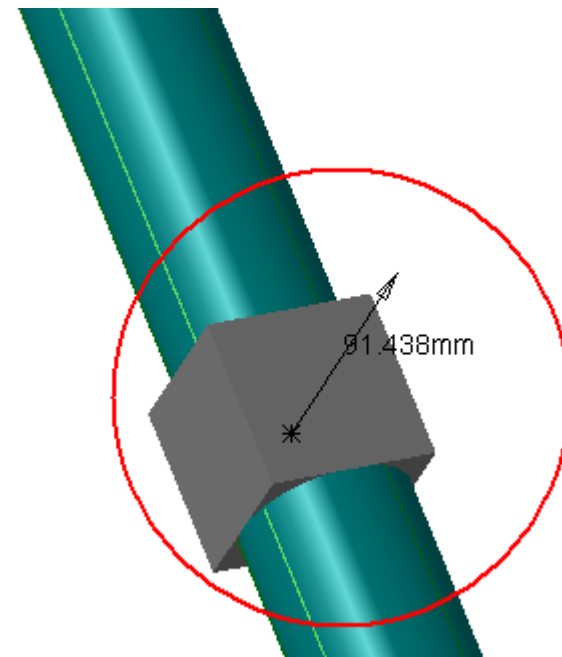
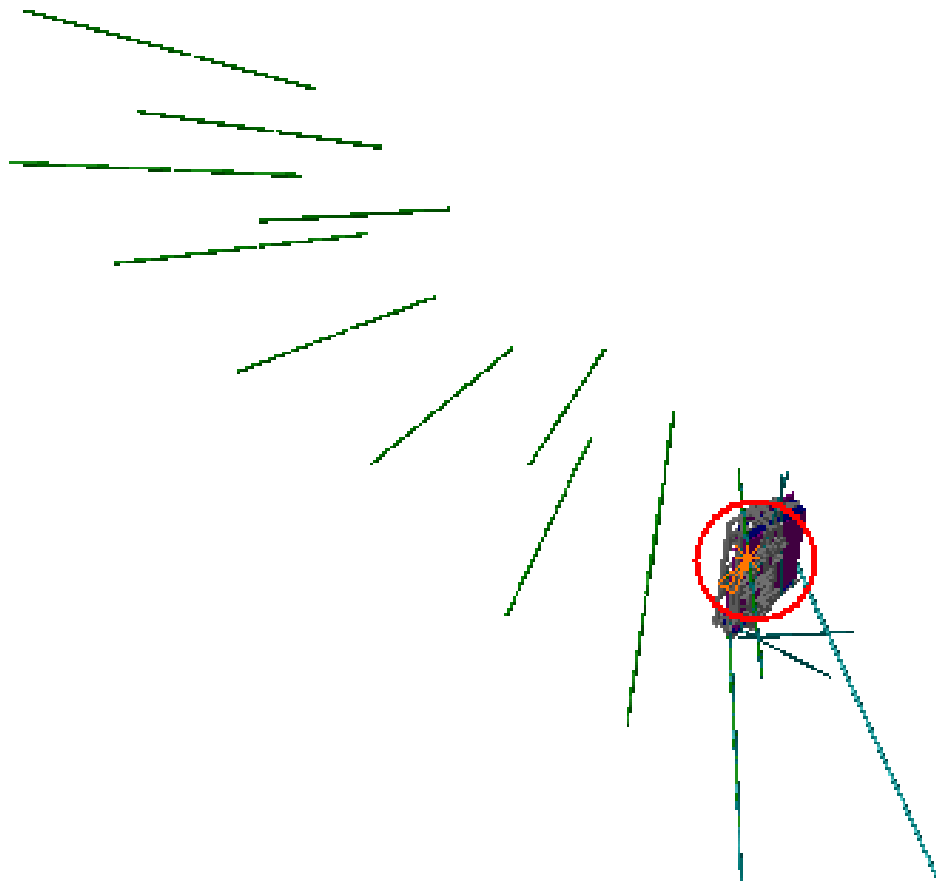
Side C
Sector 3

Giancarlo: Warning for future

Clash View 1:



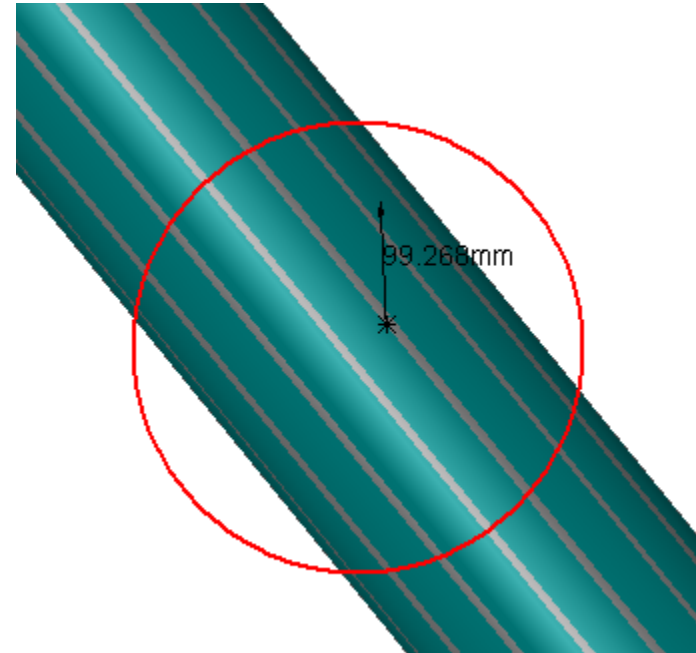
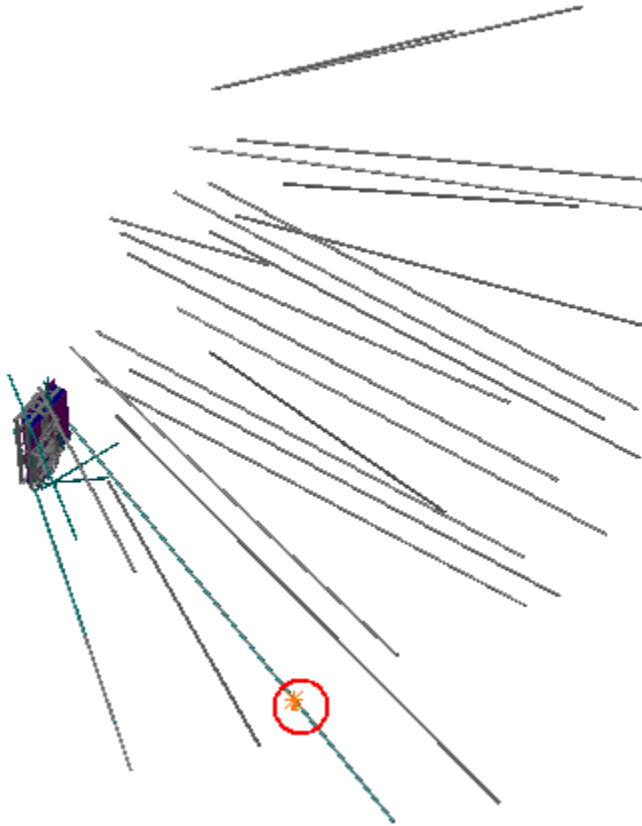
AT632629 MQ Alignment BAR EIL4, Side C, Sector 3	ATCNMA_0002 BARREL PROJECTIVE ALIGNMENT. - SIMPLE 3-D MODEL. SECTOR 3.	Clash	-91.44mm	Not Relevant
---	--	-------	----------	--------------



Side C

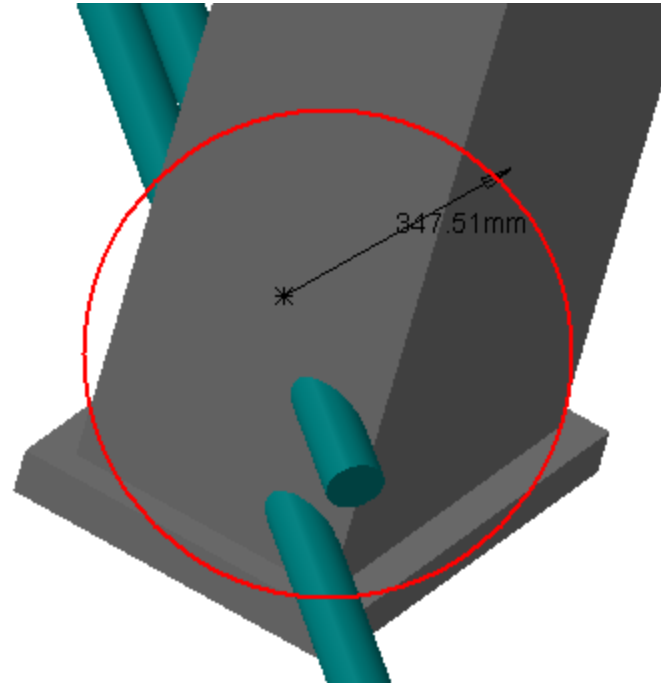
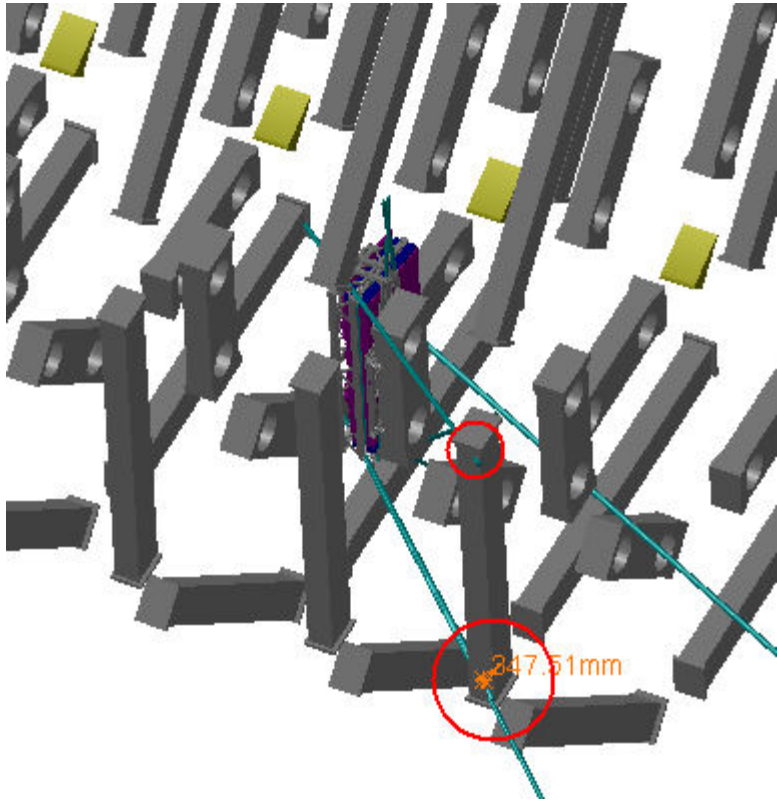
Sector 3

AT632629 MQ Alignment BAR EIL4, Side C, Sector 3	ATCNMA_0010 END CAP ALIGNMENT SIDE "C" - SIMPLE 3-D MODEL	Clash	-99.27mm	Not Relevant
---	---	-------	----------	--------------



Side C
Sector 3

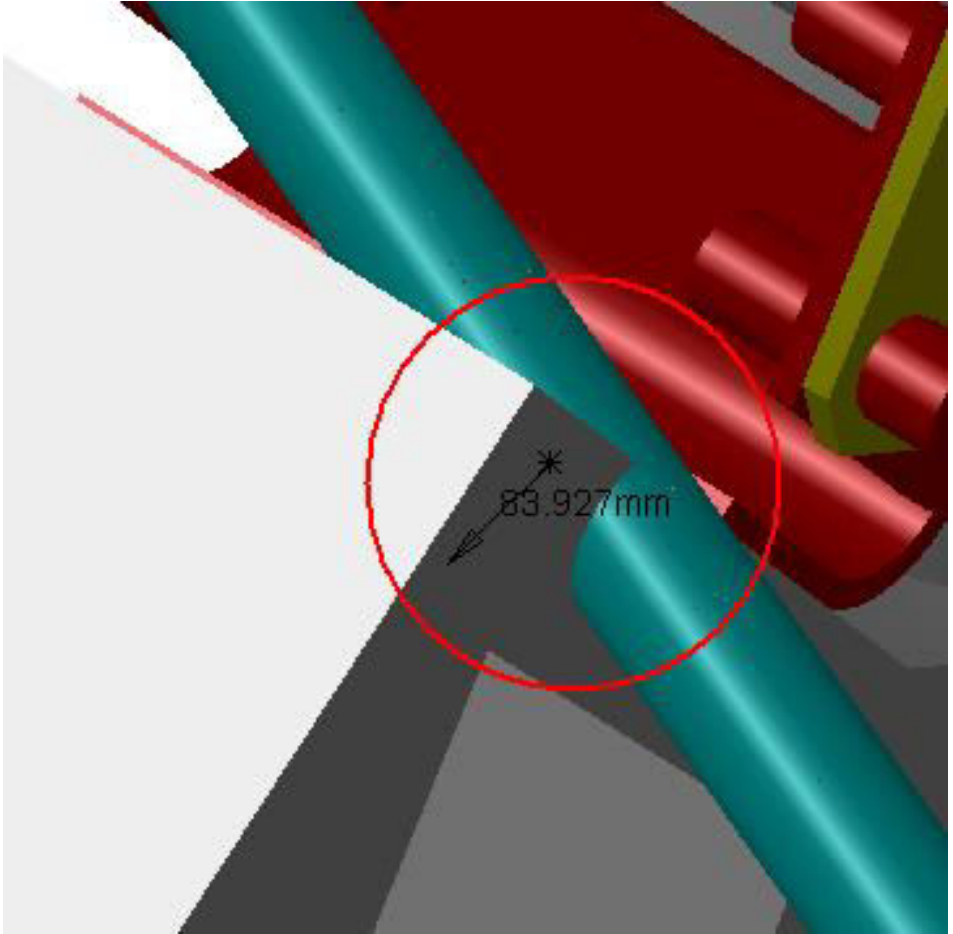
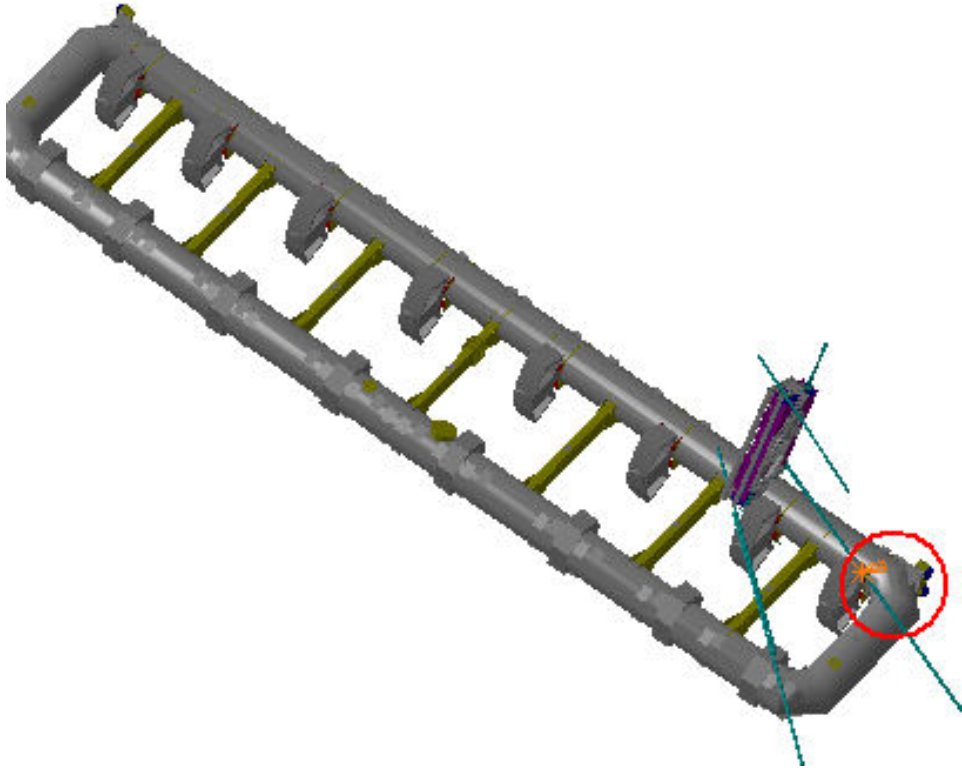
AT632629 MQ Alignment BAR EIL4, Side C, Sector 3	ATCNTB_0003 TB WARM STRUCTURE - SIMPLIFIED 3-D OBJECT	Clash	-374.51mm	Not Relevant
---	---	-------	-----------	--------------



Side C
Sector 3

Olga: Holes exist

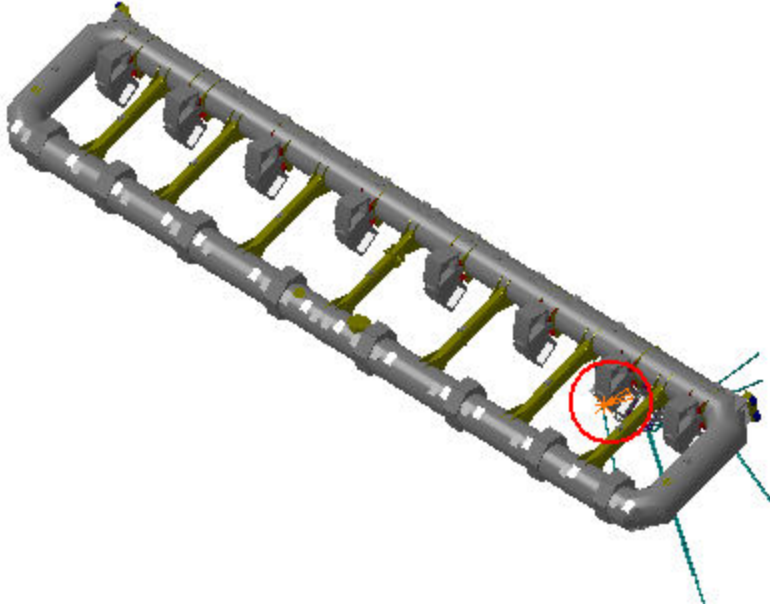
AT632629 MQ Alignment BAR EIL4, Side C, Sector 3	ATCNTB_0001 BT2 TB STANDARD COIL - SECTORS 2	Clash	-83.93mm	Not Relevant
---	---	-------	----------	--------------



Side C
Sector 3

Lasha: I have already checked in Cavern and cutout exists. So, it is N.R.

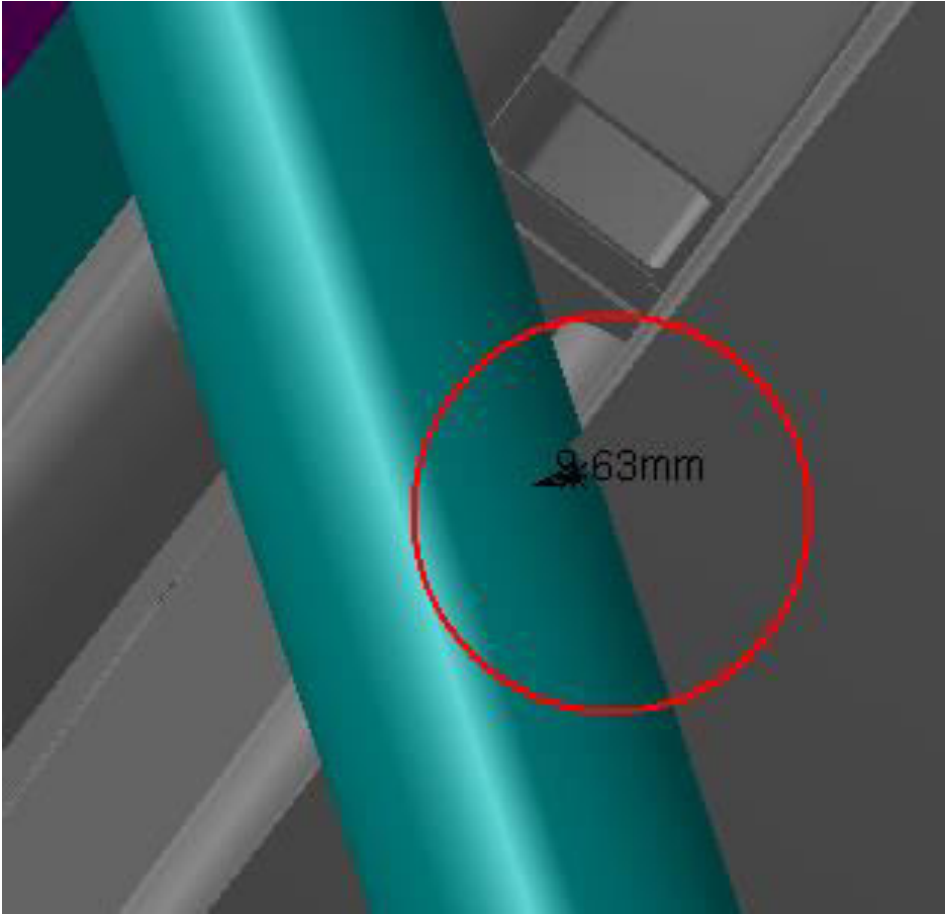
AT632629 MQ Alignment BAR EIL4, Side C, Sector 3	ATCNTB_0001 BT4 TB STANDARD COIL - SECTORS 4	Clash	-9.63mm	Not Relevant
---	---	-------	---------	--------------



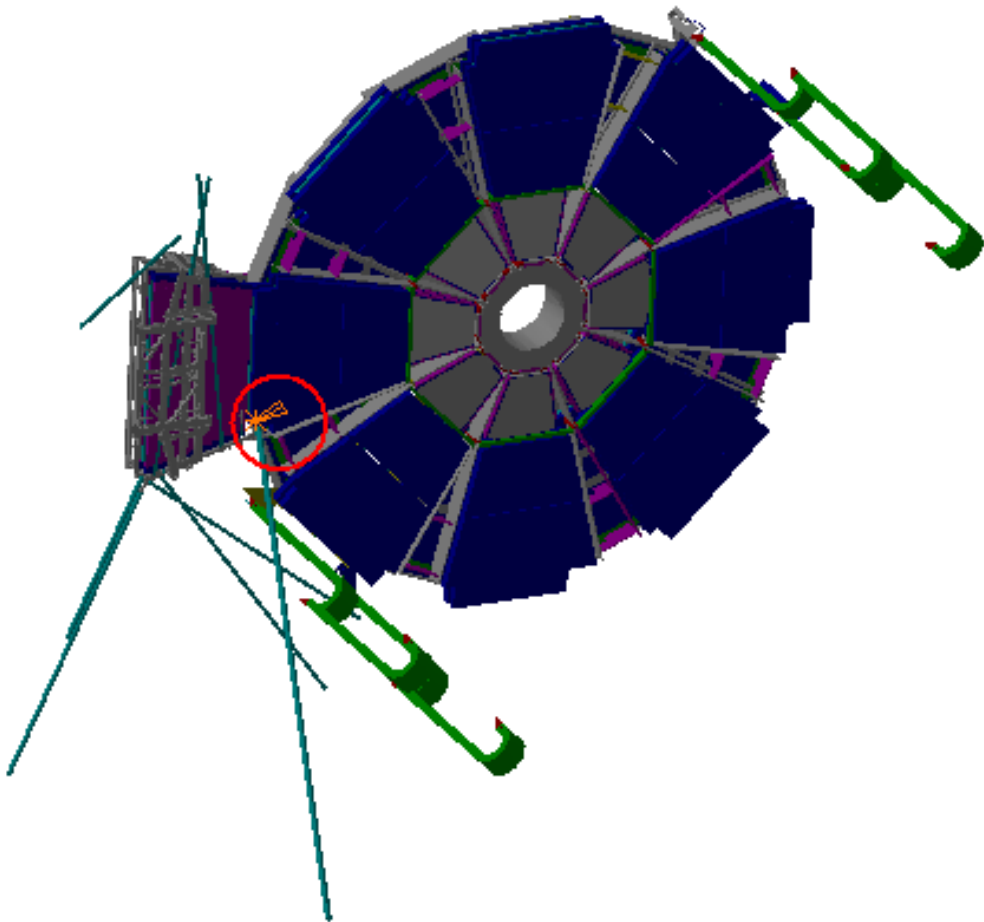
Lasha: I have checked in Cavern and cutout exists. So it is N.R

Side C

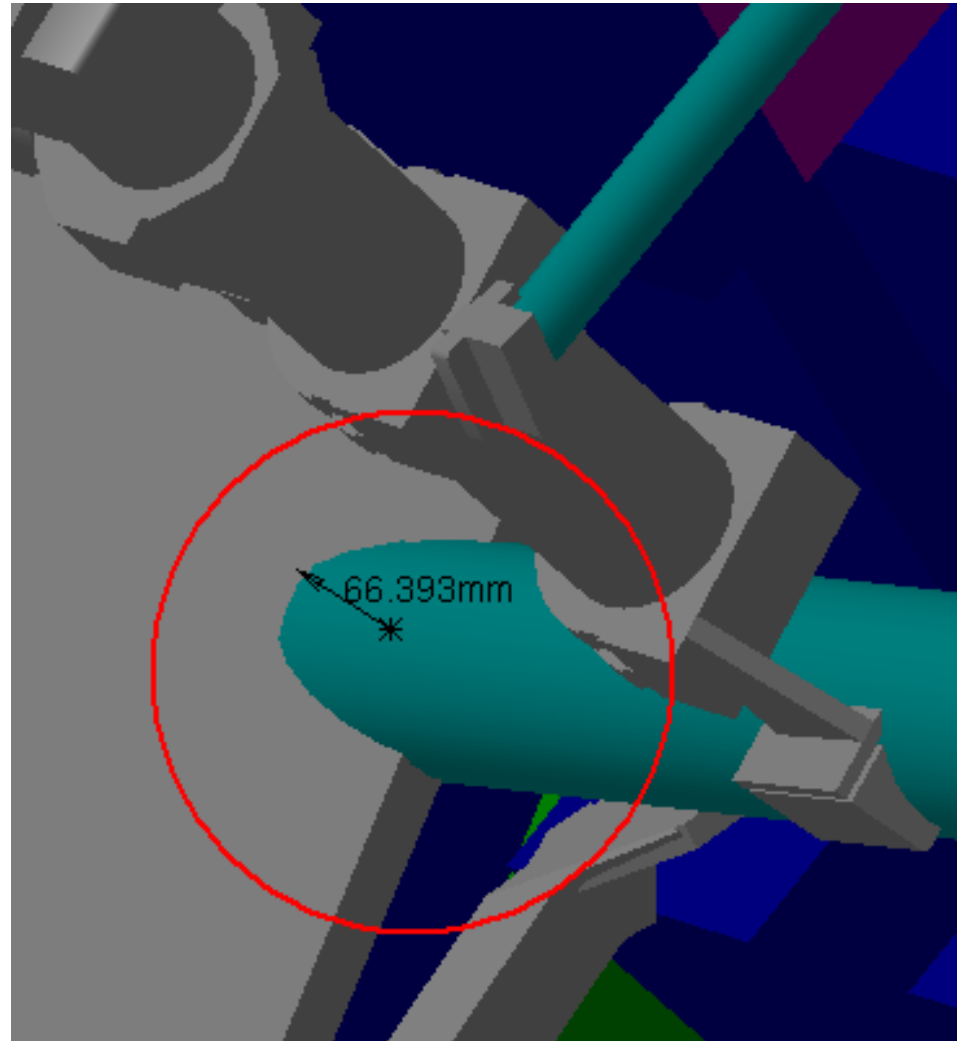
Sector 3



AT632629 MQ Alignment BAR EIL4, Side C, Sector 3	AT592057MQ SW outer Chains	Clash	-66.39	Not Relevant
---	----------------------------	-------	--------	--------------

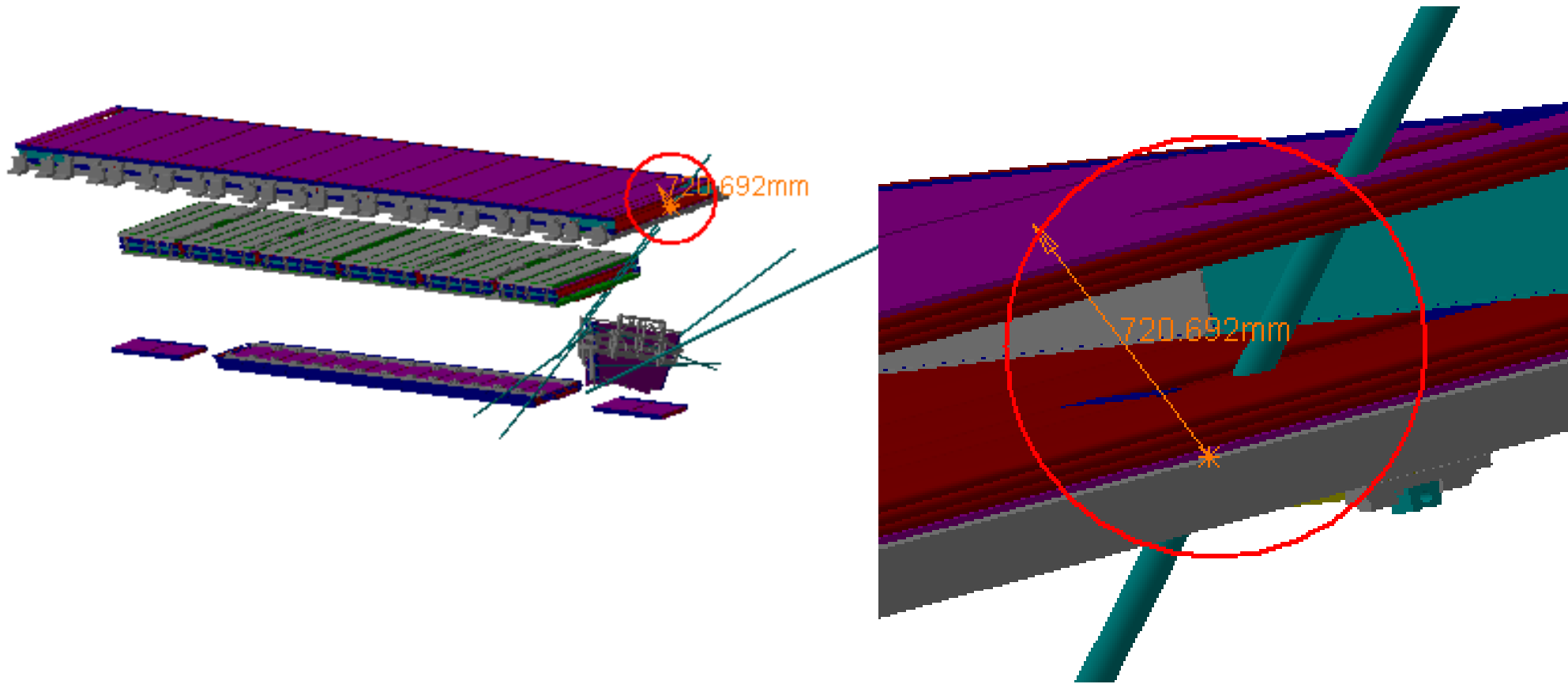


Side C
Sector 3



RELEVANT

AT632629 MQ Alignment BAR EIL4, Side C, Sector 3	AT602154MQ MCB Muon Barrel Chambers Detailed Sector 2	Clash	-720.69mm	Relevant
---	--	-------	-----------	----------



Side C
Sector 3

Olga: BOS model to be updated

Clash View 1:

