

Clearance Publish

Clearance=50mm

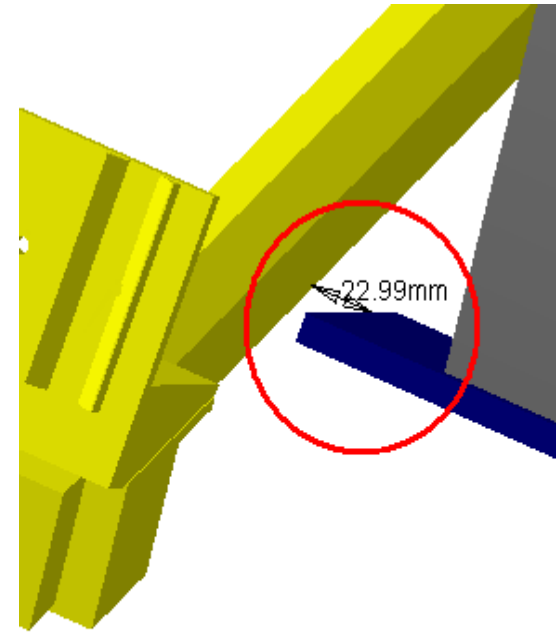
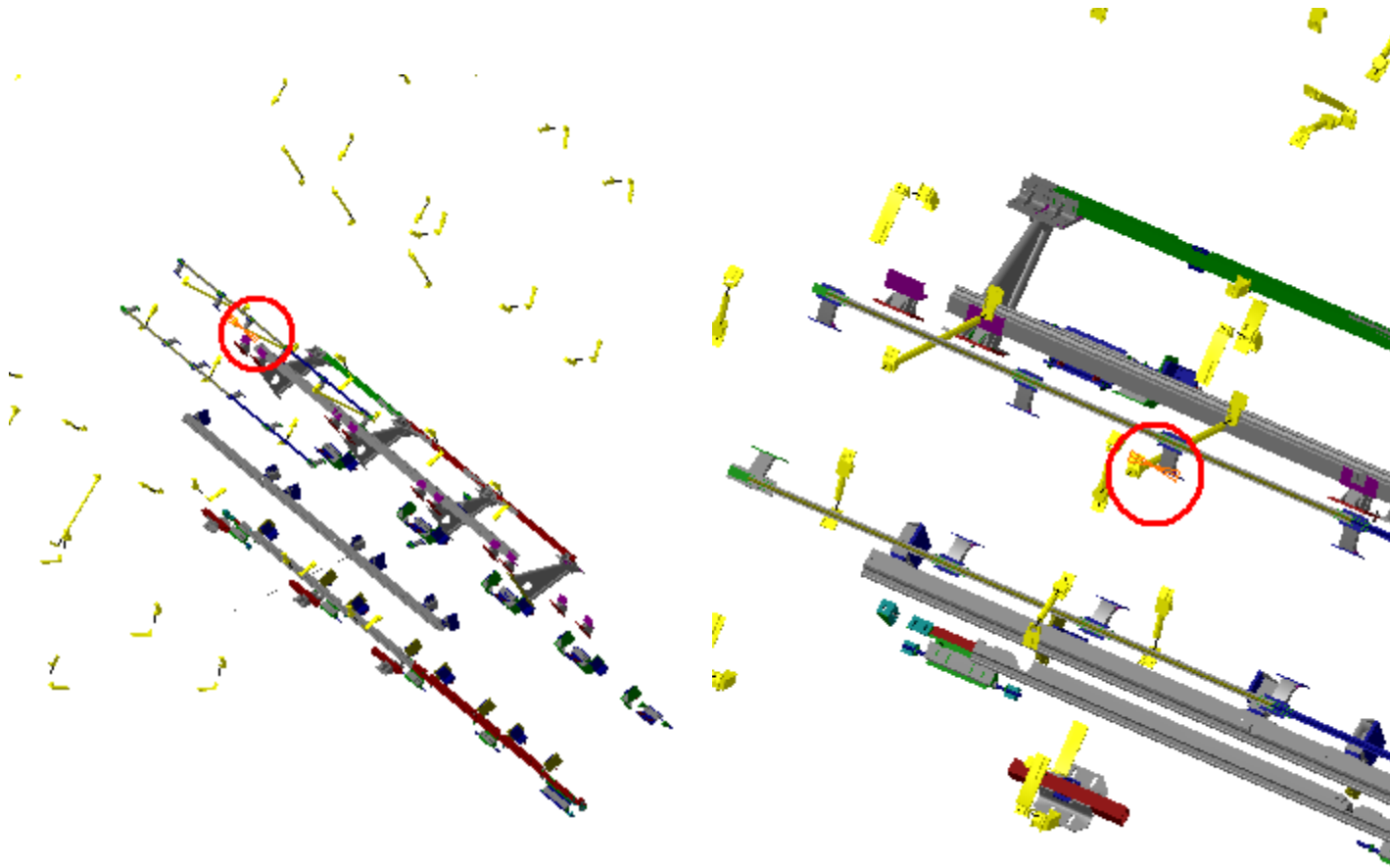


Clearance Computation Specification

Products Selected

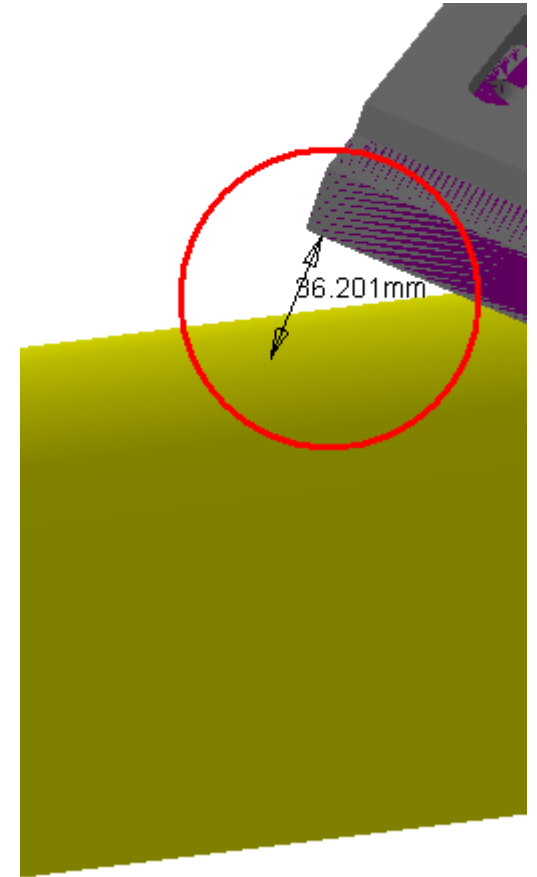
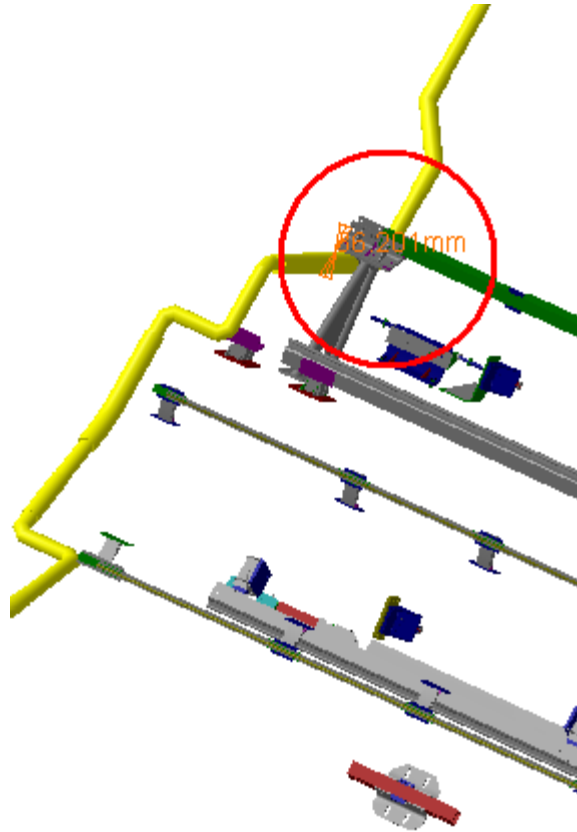
| Clearance Computation Specification | | | |
|-------------------------------------|--|-------|---------------|
| Products Selected | | | |
| AT612477MQ-Brackets BOF | AT672140MQ FM-ENCC-A CH-TO-CH Align All Sectors | 22.99 | Not inspected |
| | ATCNSB_0003 BARREL CALORIMETER LAR DRAIN LINE - SIMPLIFIED 3D OBJECT | 36.2 | Not inspected |
| | ATCNSM_0011 TB VACUUM PIPE SYSTEM - SIDE C | 29.2 | Not inspected |
| | ATCNSM_0015 BT HEATER BOXES AND CABLES - FOR FOOT REGION | 49.7 | Not inspected |
| | ATCNSM_0016 BT HEATER CABLE DISTRIBUTION - FOR FOOT REGION | 23.45 | Not inspected |
| | ATCNTB_0002 TB FEET COIL - SECTOR 12 | 0 | Not inspected |

| | | | | |
|-------------------------|------------|---|---------|---------------|
| AT612477MQ-Brackets BOF | AT672140MQ | Vector coordinate $\Delta X \approx 0\text{mm}$ $\Delta Y \approx -0.28\text{mm}$ $\Delta Z \approx -22.99\text{mm}$ | 22.99mm | Not inspected |
|-------------------------|------------|---|---------|---------------|



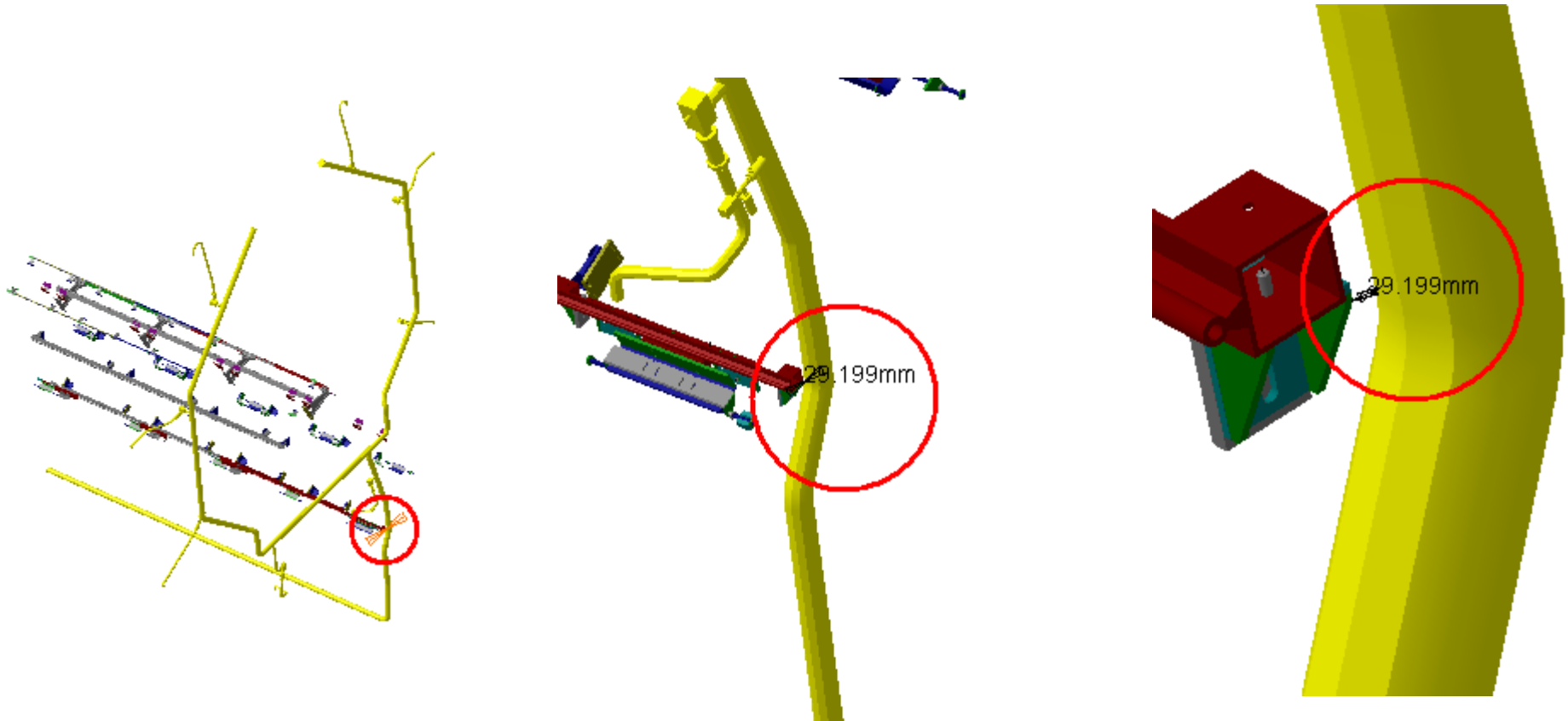
Side C
Sector 12

| | | | | |
|-------------------------|--|--|--------|---------------|
| AT612477MQ-Brackets BOF | ATCNSB_0003 BARREL CALORIMETER LAR DRAIN LINE - SIMPLIFIED 3D OBJECT | Vector coordinate $\Delta X \approx 33.44\text{mm}$ $\Delta Y \approx -13.85\text{mm}$ $\Delta Z \approx 0.17\text{mm}$ | 36.2mm | Not inspected |
|-------------------------|--|--|--------|---------------|



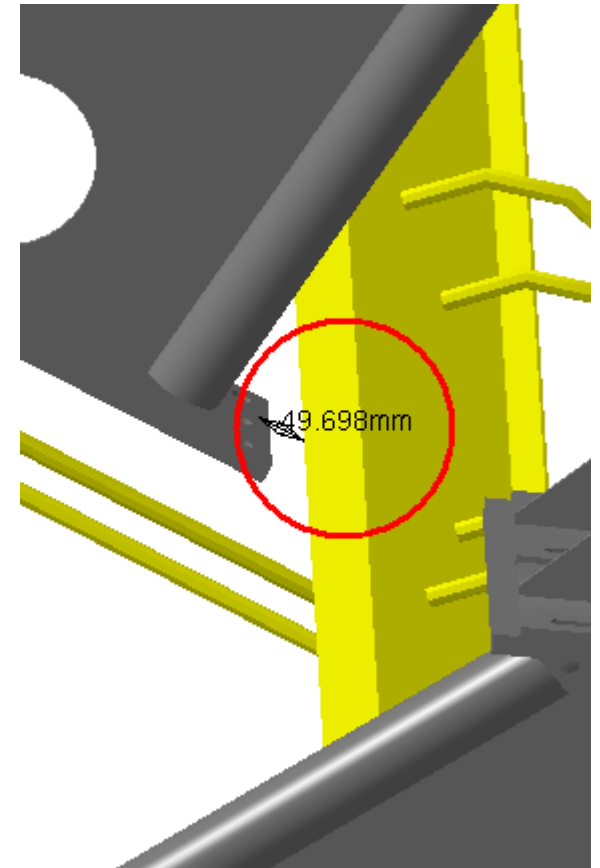
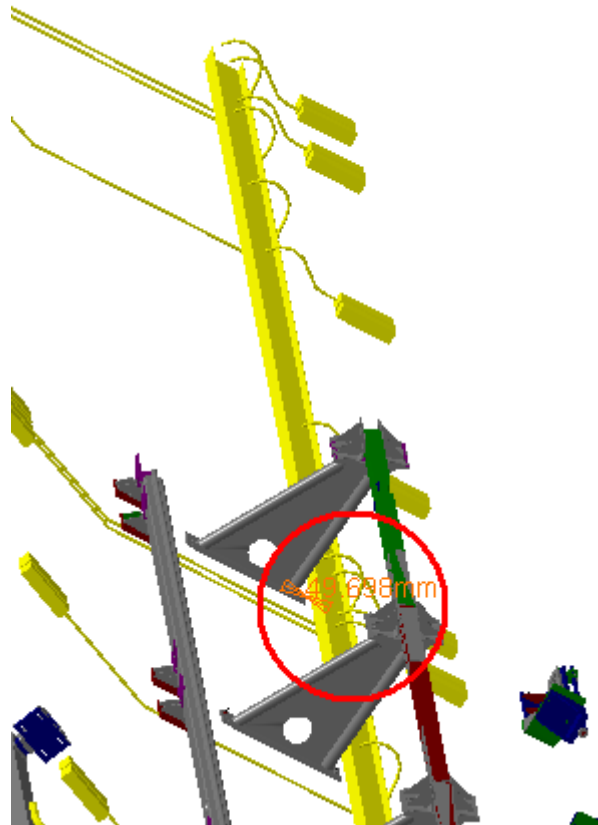
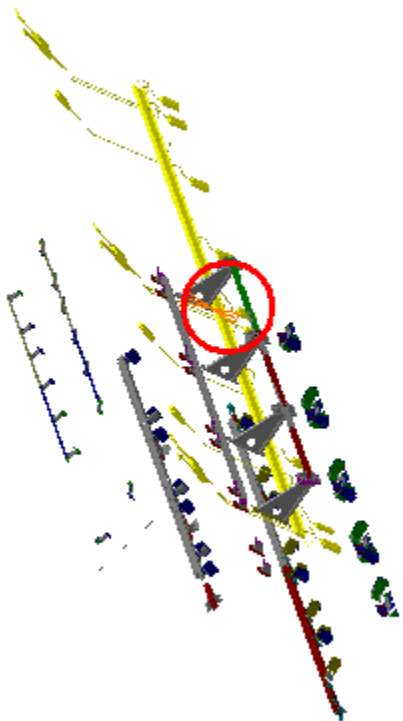
Side A
Sector 11

| | | | | |
|-------------------------|--|---|--------|---------------|
| AT612477MQ-Brackets BOF | ATCNSM_0011 TB VACUUM PIPE SYSTEM - SIDE C | Vector coordinate $\Delta X \approx -28.84\text{mm}$ $\Delta Y \approx 0\text{mm}$ $\Delta Z \approx -4.56\text{mm}$ | 29.2mm | Not inspected |
|-------------------------|--|---|--------|---------------|



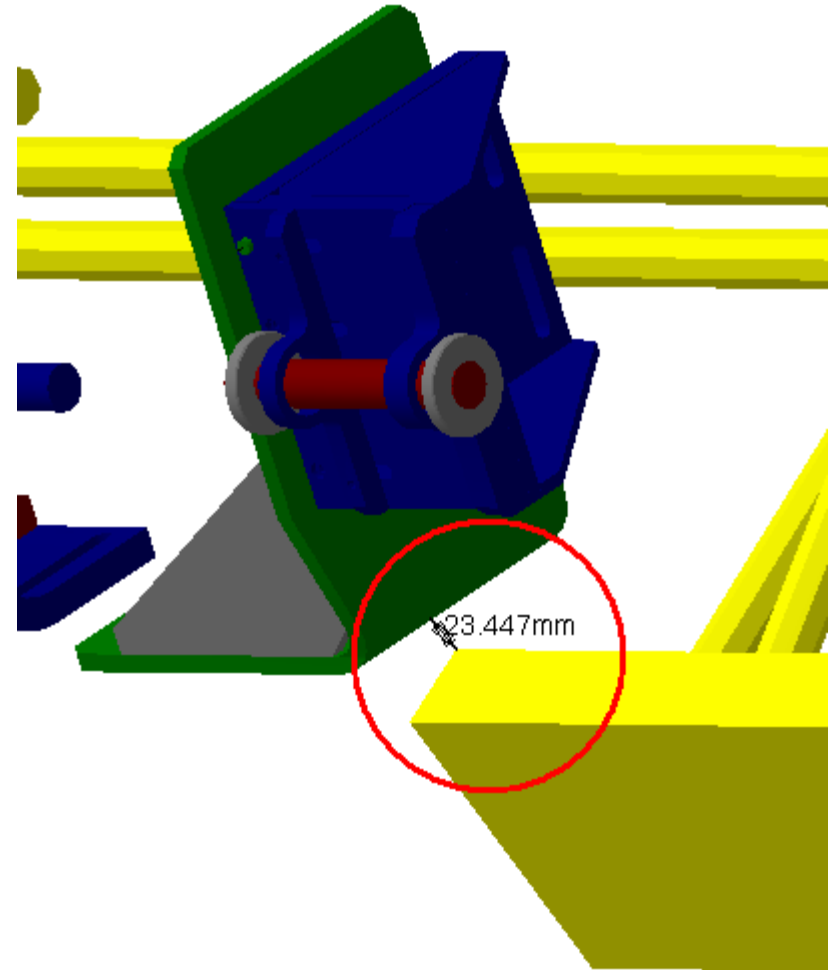
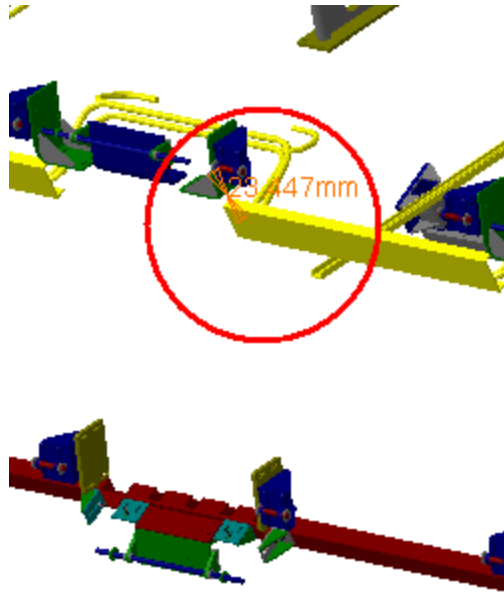
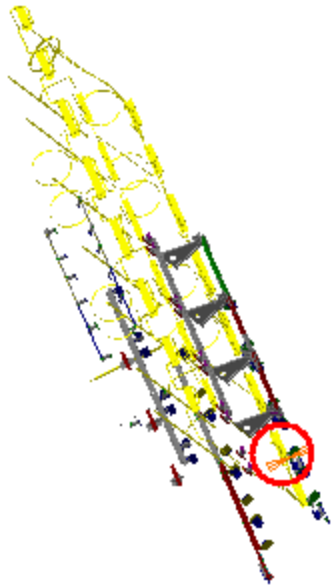
Side C
Sector 12

| | | | | |
|-------------------------|--|---|--------|---------------|
| AT612477MQ-Brackets BOF | ATCNSM_0015 BT HEATER BOXES AND CABLES - FOR FOOT REGION | Vector coordinate $\Delta X \approx -19.02\text{mm}$ $\Delta Y \approx -45.91\text{mm}$ $\Delta Z \approx 0.57\text{mm}$ | 49.7mm | Not inspected |
|-------------------------|--|---|--------|---------------|

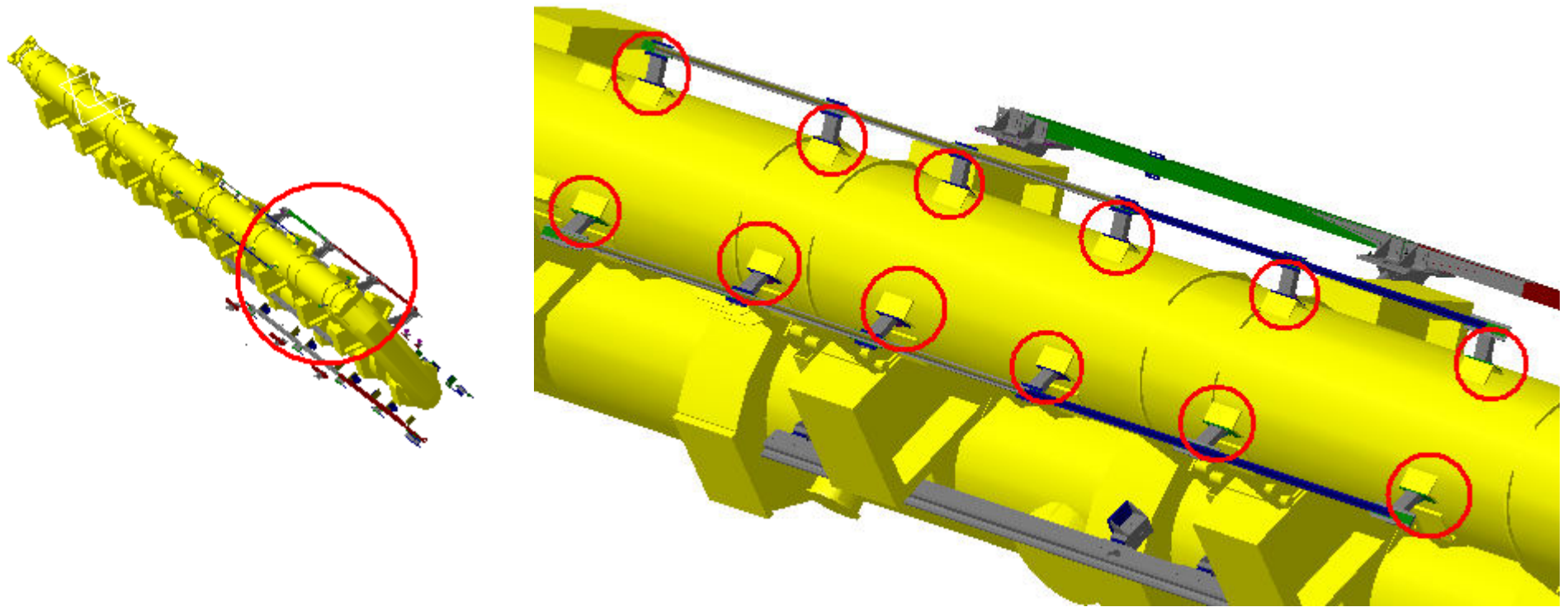


Side A
Sector 12

| | | | | |
|-------------------------|--|---|---------|---------------|
| AT612477MQ-Brackets BOF | ATCNSM_0016 BT HEATER CABLE DISTRIBUTION - FOR FOOT REGION | Vector coordinate $\Delta X \approx 18.05\text{mm}$ $\Delta Y \approx -7.63\text{mm}$ $\Delta Z \approx -12.88\text{mm}$ | 23.45mm | Not inspected |
|-------------------------|--|---|---------|---------------|



| | | | | |
|-------------------------|--------------------------------------|---------|---------|---------------|
| AT612477MQ-Brackets BOF | ATCNTB_0002 TB FEET COIL - SECTOR 12 | Contact | 23.36mm | Not inspected |
|-------------------------|--------------------------------------|---------|---------|---------------|



Side C
Sector 12