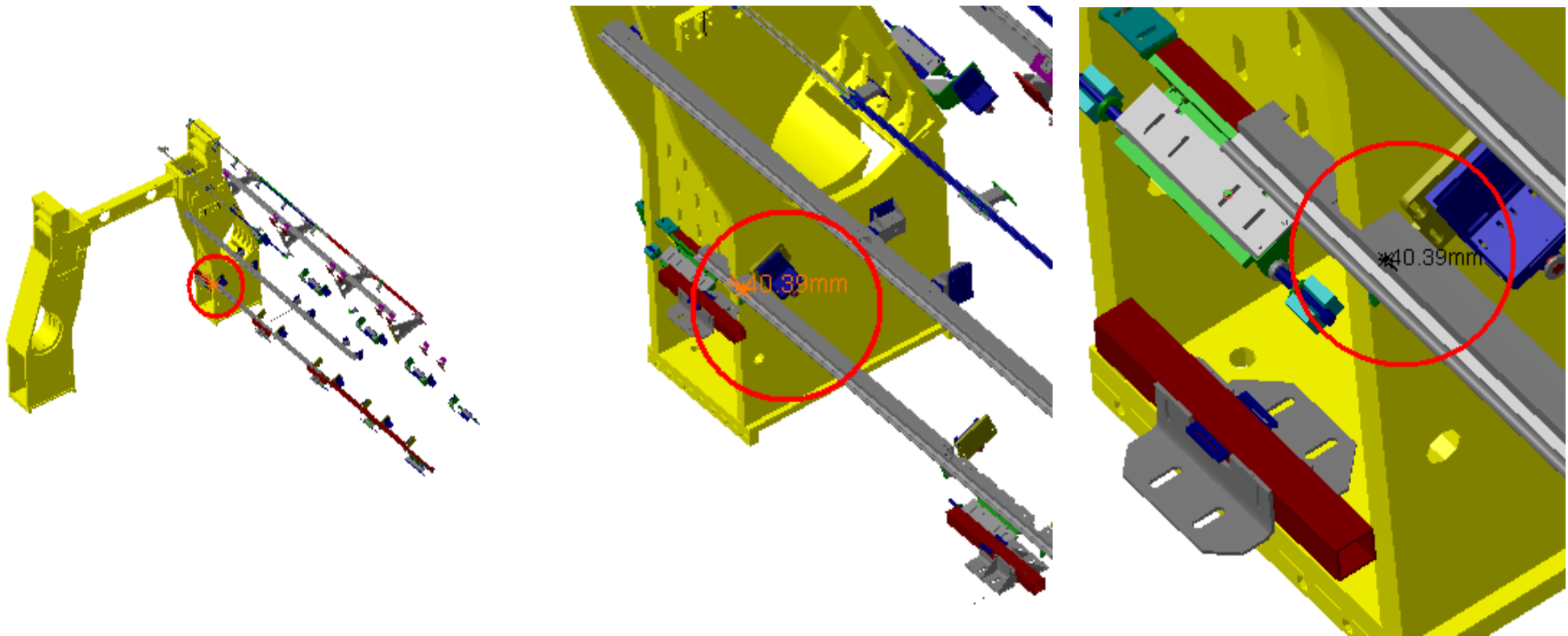


Clash Publish

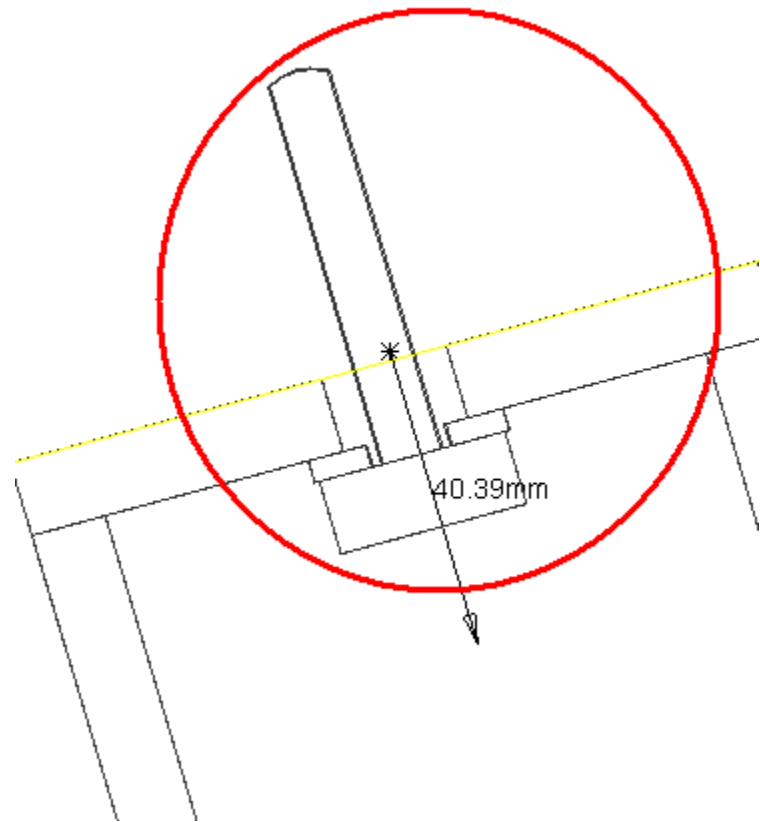


Clash Computation Specification			
Products Selected			
AT612477MQ-Brackets BOF	ATCVHB_0001 CENTRAL PAIR OF FEET B - DETAILED MODEL FOR STANDARDS	-40.39	Not inspected
	ATCVHB_0002 M STANDARD PAIR OF FEET A1 (C1) - DETAILED MODEL FOR STANDARDS	-40.41	Not inspected
	ATCVHB_0003 M STANDARD PAIR OF FEET A2 (C2) - DETAILED MODEL FOR STANDARDS	-40.41	Not inspected
	ATCVHB_0004 M STANDARD PAIR OF FEET A3 (C3) - DETAILED MODEL FOR STANDARDS	-40.41	Not inspected
	ATCVHB_0005 M EXTREMITY PAIR OF FEET A4 (C4) - DETAILED MODEL FOR STANDARDS	-38.35	Not inspected
	ATCNSR_0025 CABLE TRAYS IN FEET REGION - (SECTORS 12, 13, 14)	-0.03	Not inspected
	AT812126MQ-M TBW Structure	-0.52	Not inspected
	AT812127MQ-M TBW Structure	-0.52	Not inspected
	AT812128MQ-M TBW Structure	-0.47	Not inspected
	ATCZ5_0001 Z5 GLOBAL ENVELOPE (SIDE C) - AND LOCATION INTERFACES UNDER CONSTRUCTION	----	Not inspected

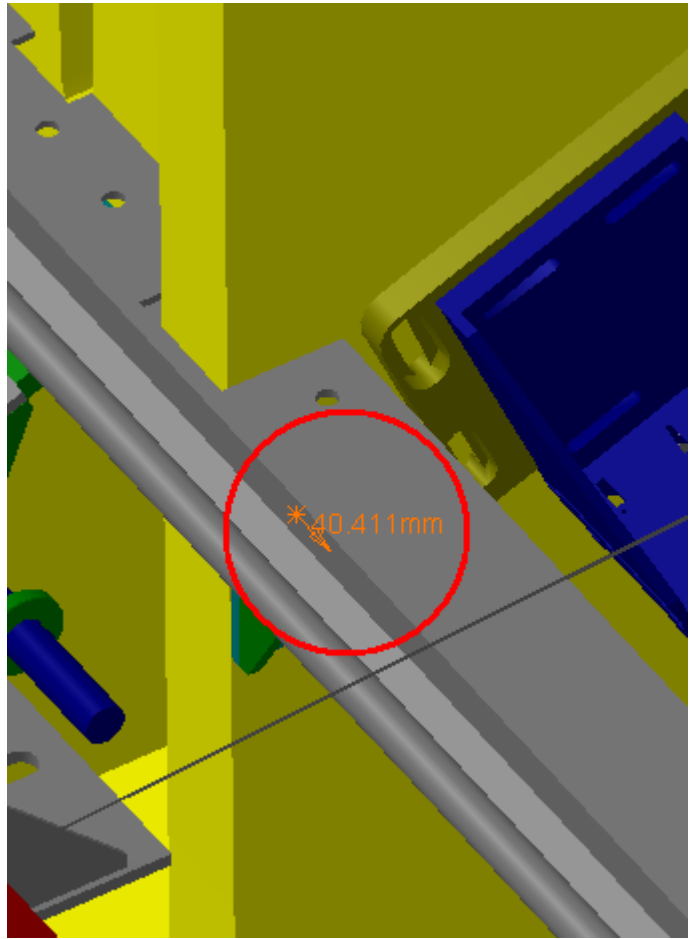
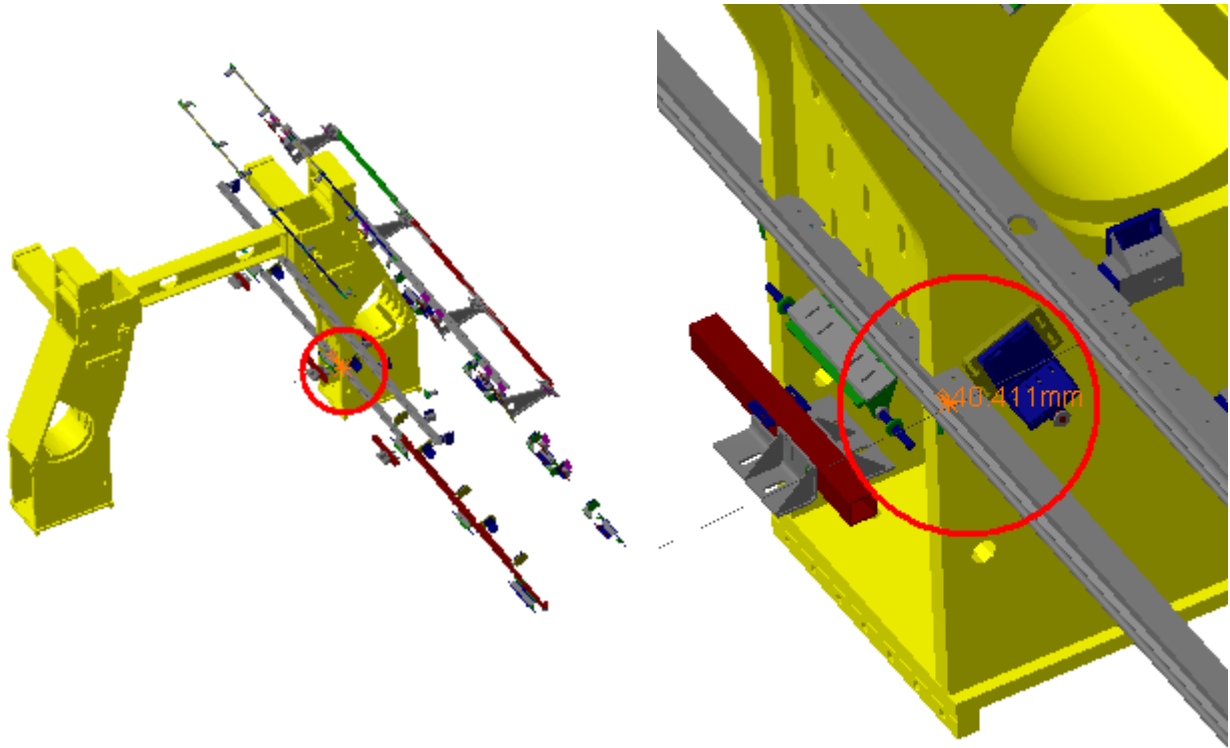
AT612477MQ-Brackets BOF	ATCVHB_0001 CENTRAL PAIR OF FEET B - DETAILED MODEL FOR STANDARDS	Clash	-40.39mm	Not inspected
-------------------------	--	-------	----------	---------------



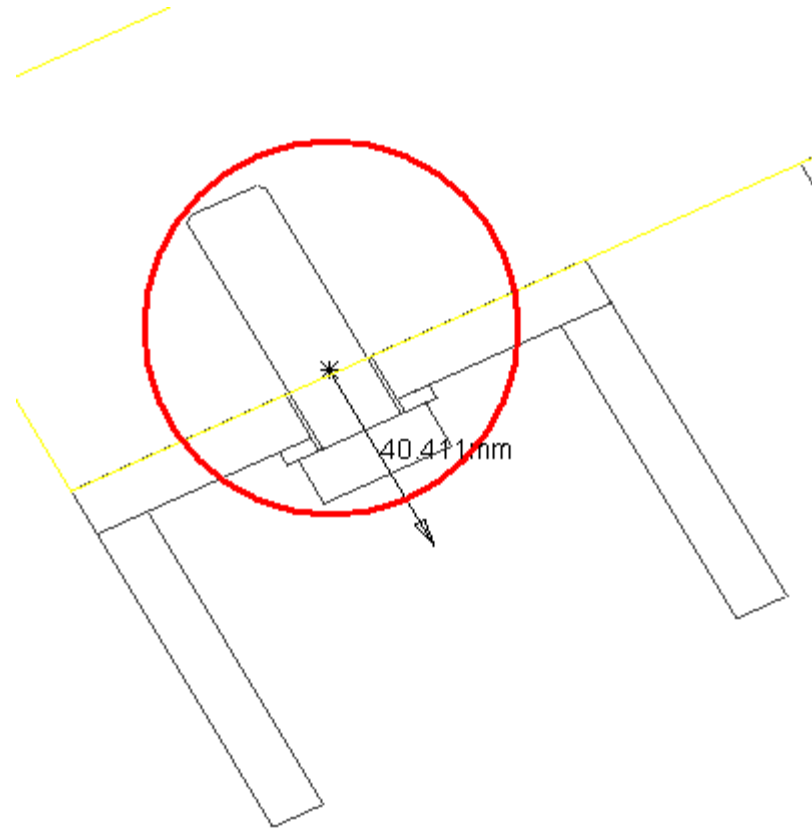
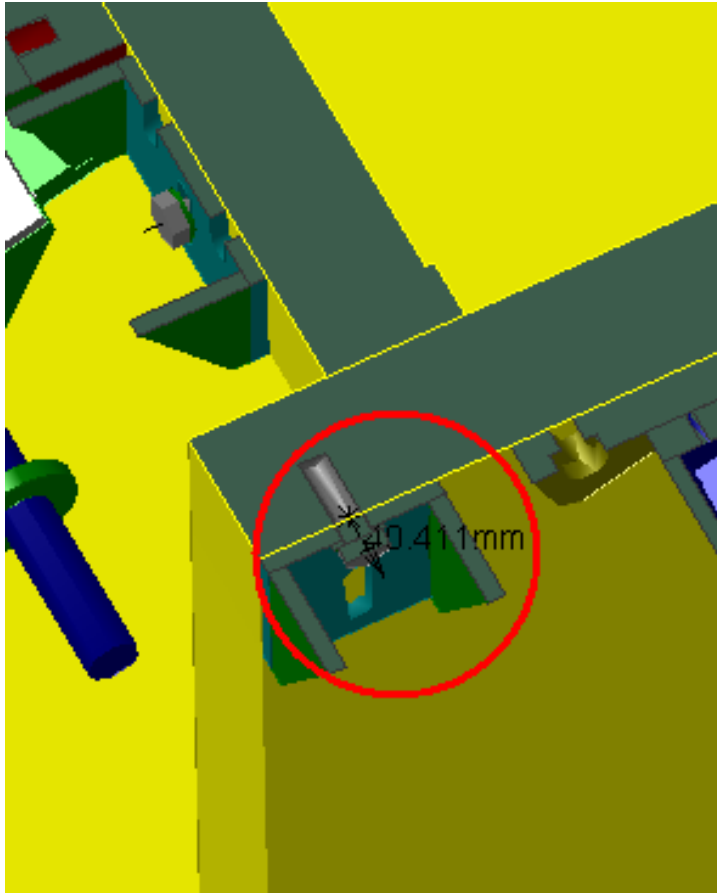
Clash View 1:



AT612477MQ-Brackets BOF	ATCVHB_0002 M STANDARD PAIR OF FEET A1 (C1) - DETAILED MODEL FOR STANDARDS	Clash	-40.41mm	Not inspected
-------------------------	--	-------	----------	---------------



Clash View 1:



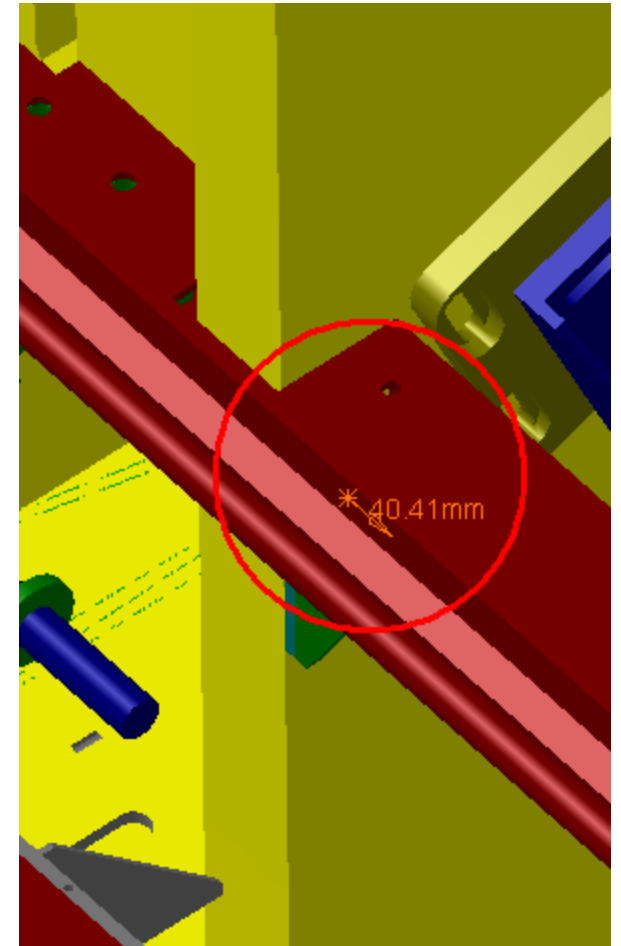
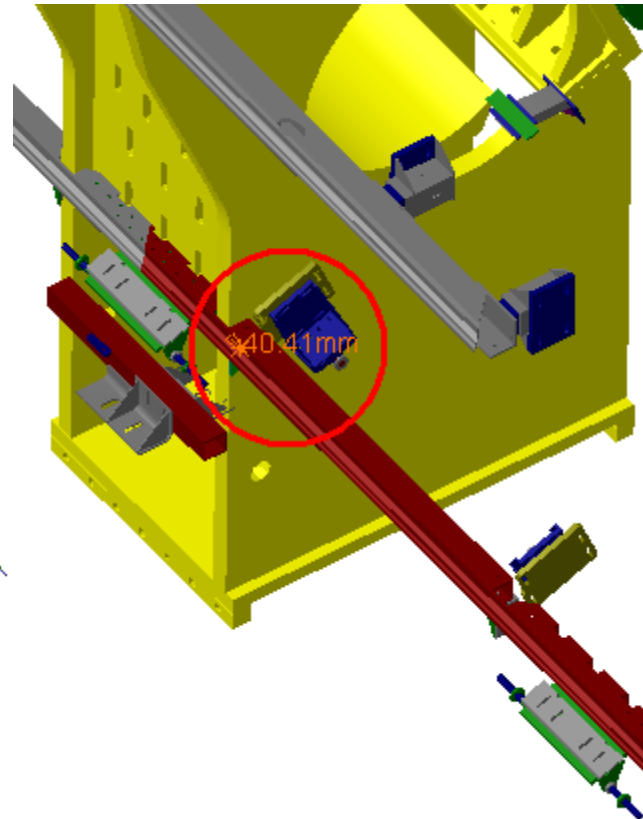
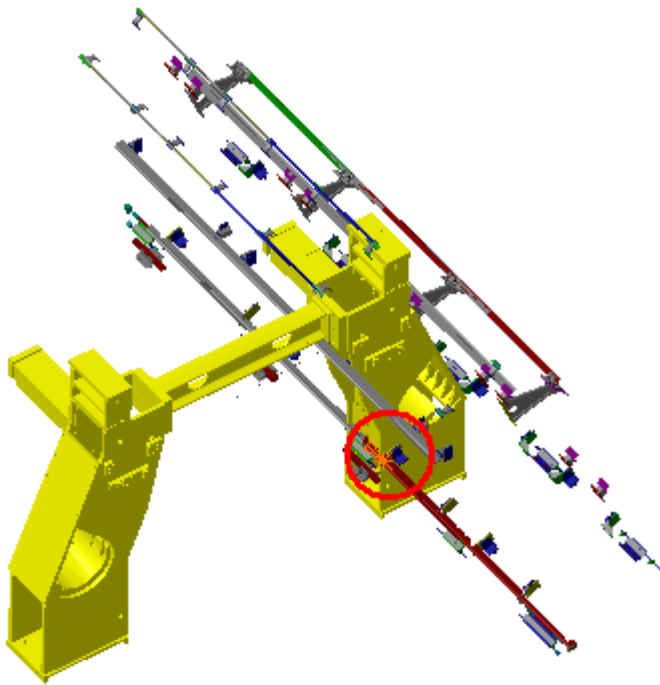
AT612477MQ-Brackets BOF

ATCVHB_0003 M STANDARD
PAIR OF FEET A2 (C2) - DETAILED
MODEL FOR STANDARDS

Clash

- 40.41mm

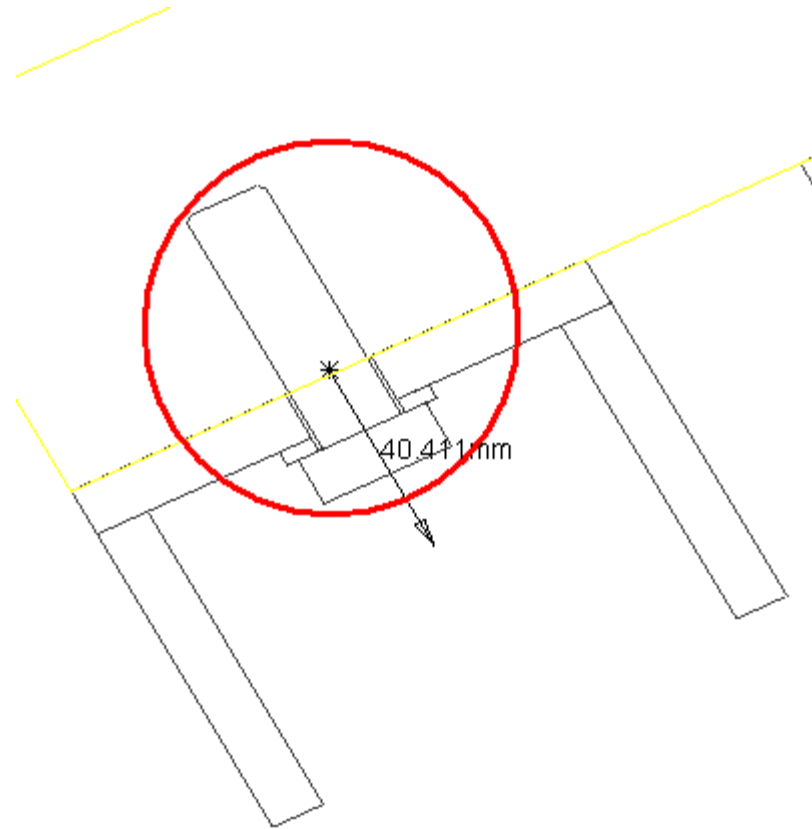
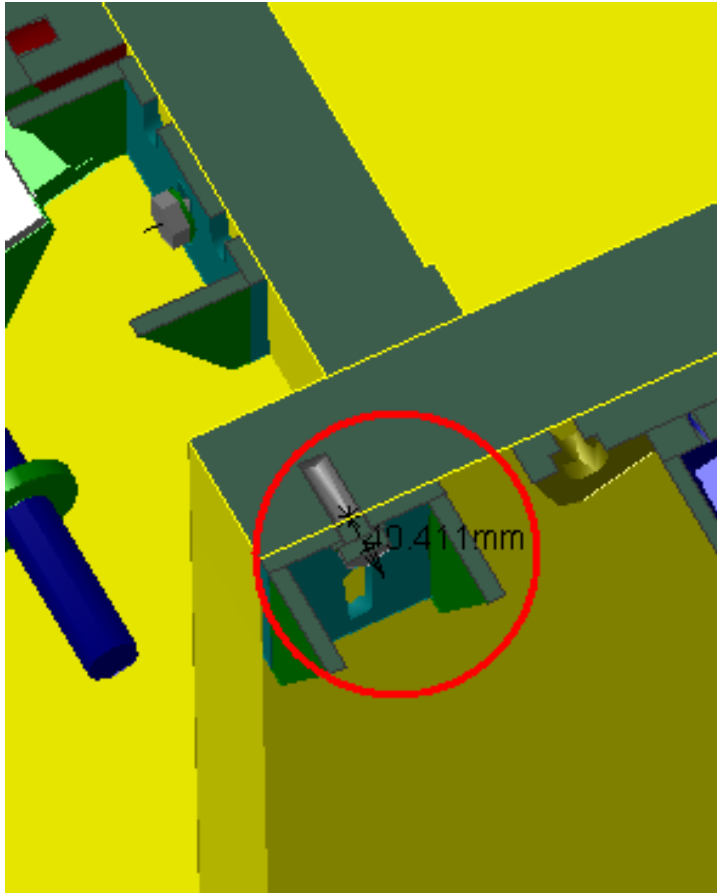
Not inspected



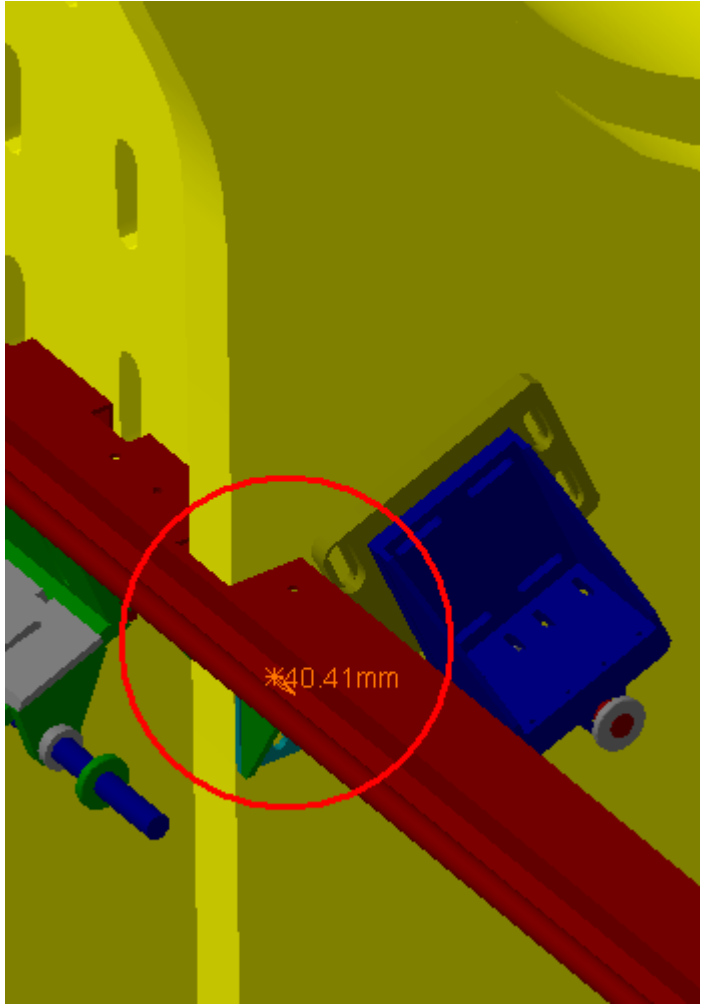
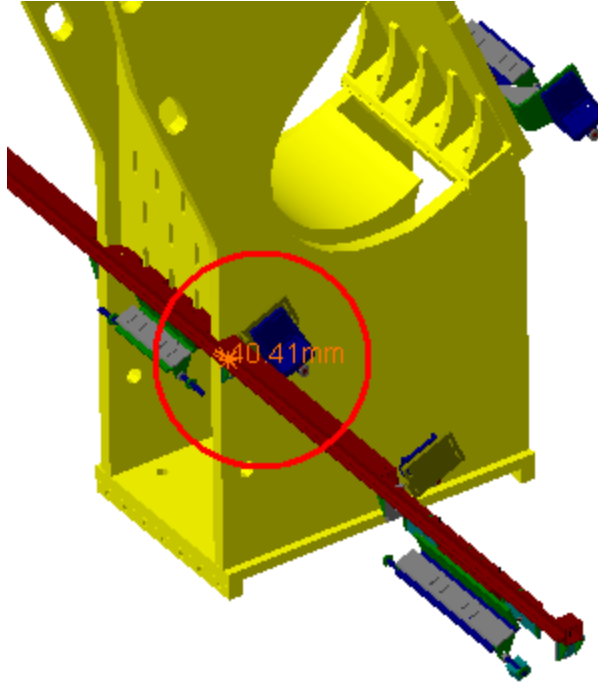
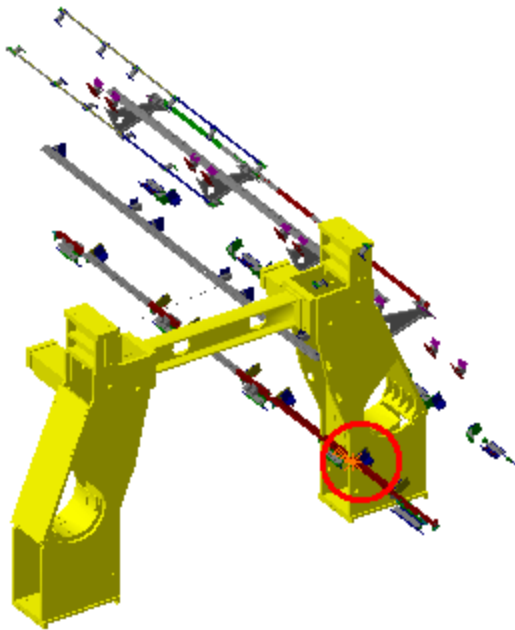
Side C

Sector 12

Clash View 1:



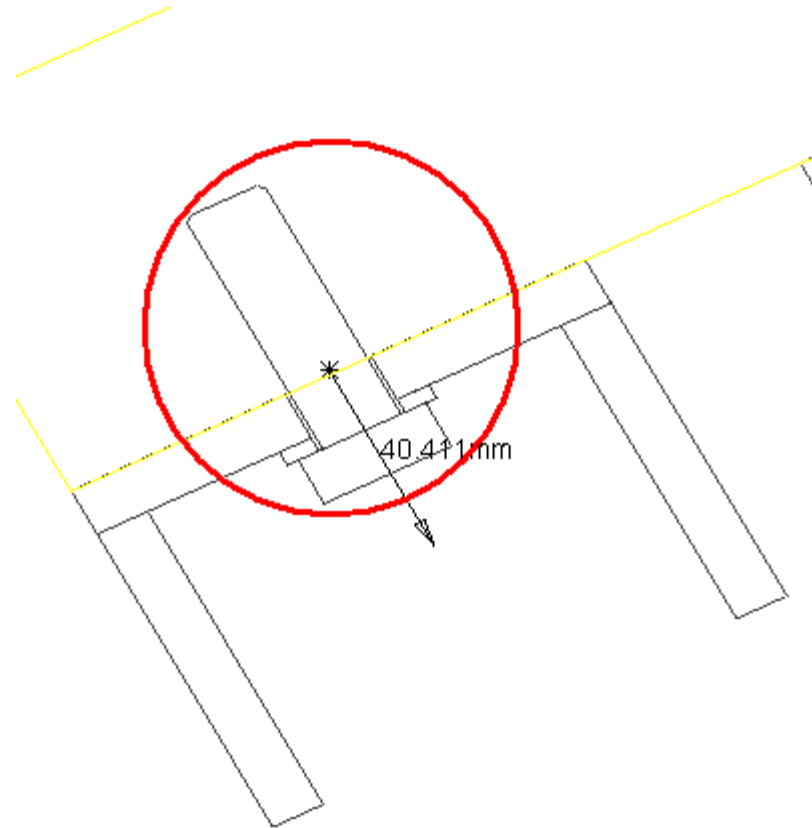
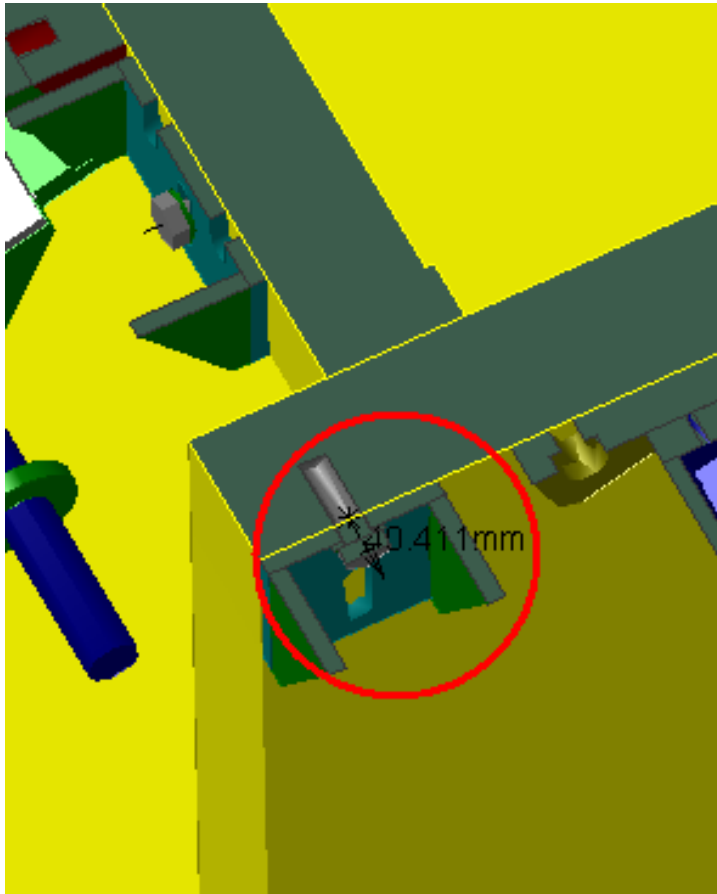
AT612477MQ-Brackets BOF	ATCVHB_0004 M STANDARD PAIR OF FEET A3 (C3) - DETAILED MODEL FOR STANDARDS	Clash	-40.41mm	Not inspected
-------------------------	--	-------	----------	---------------



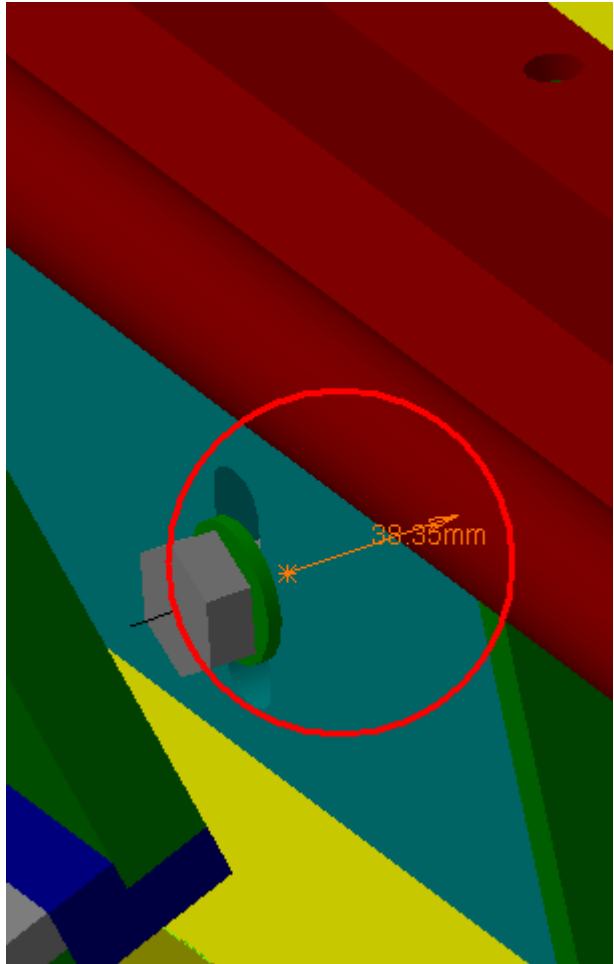
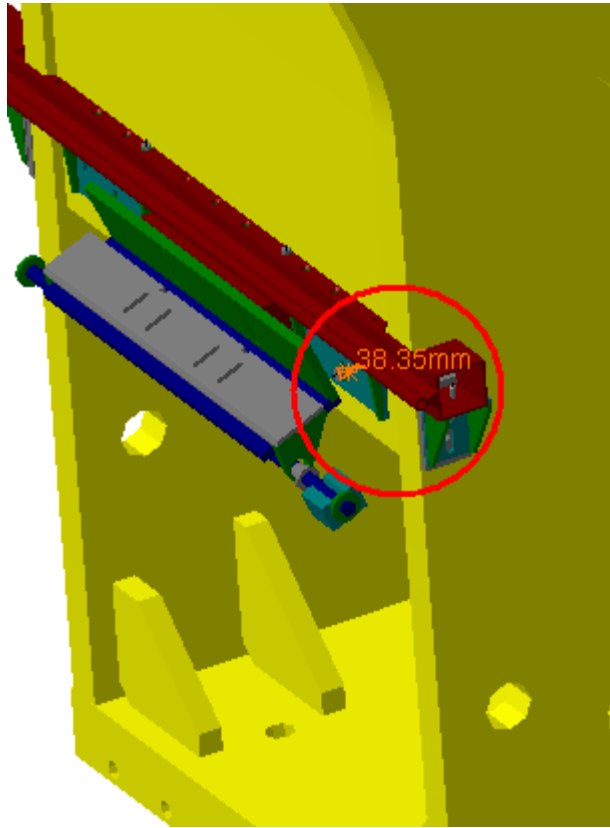
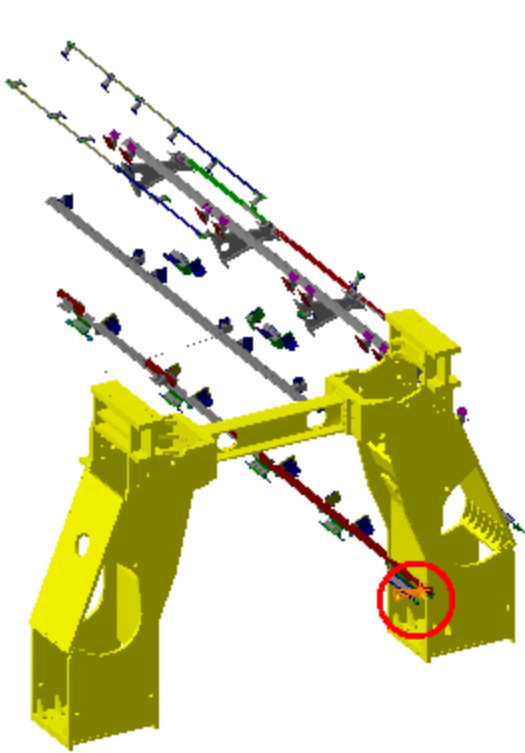
Side C

Sector 12

Clash View 1:



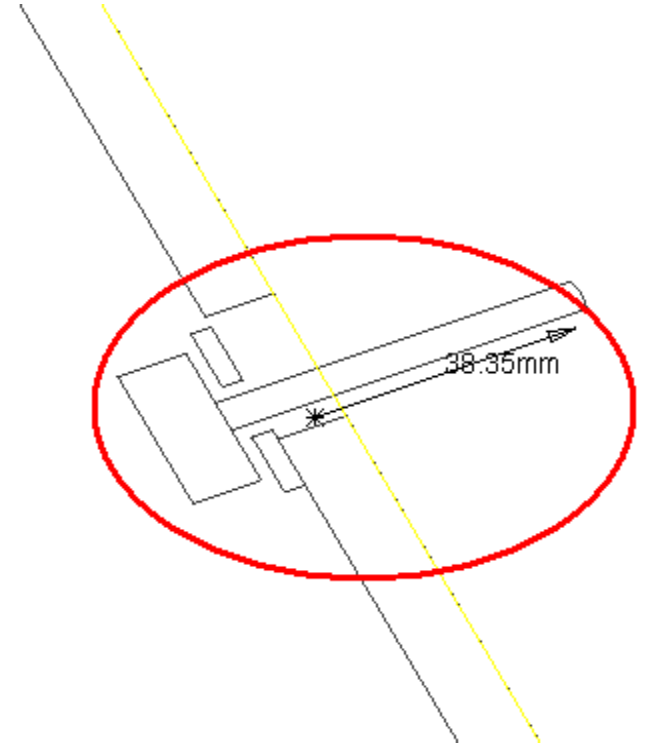
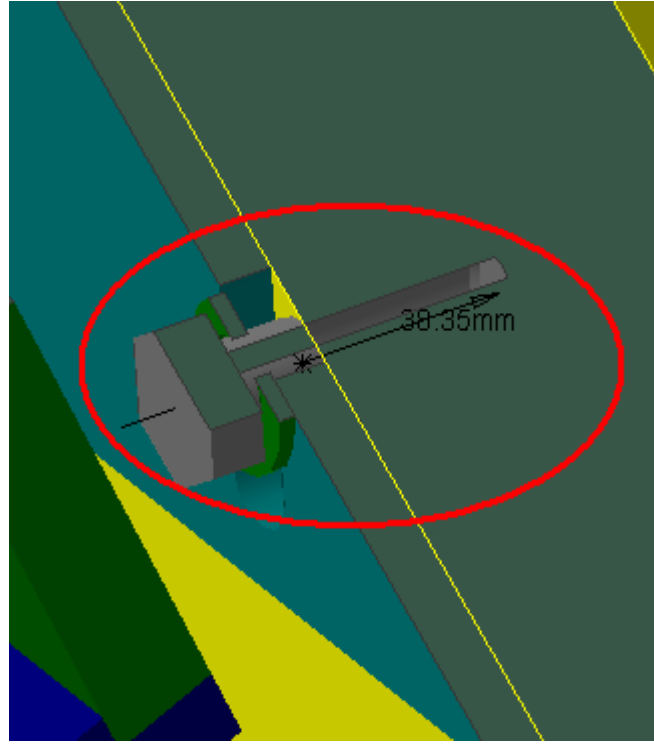
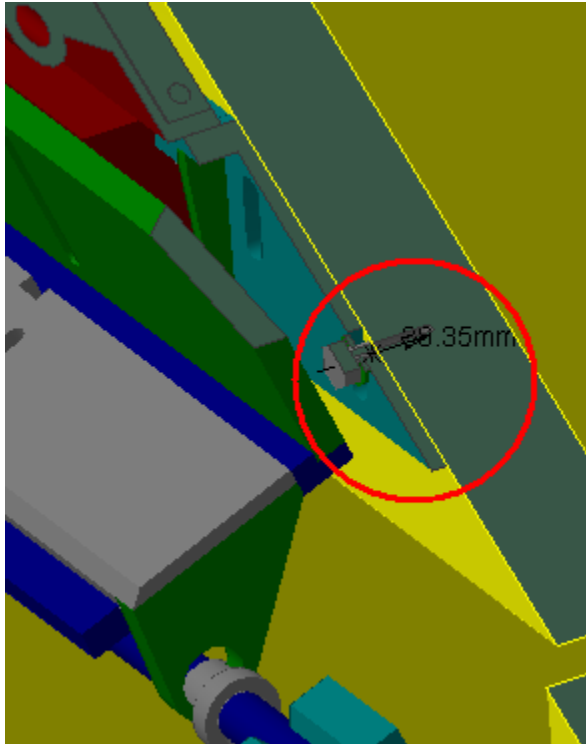
AT612477MQ-Brackets BOF	ATCVHB_0005 M EXTREMITY PAIR OF FEET A4 (C4) - DETAILED MODEL FOR STANDARDS	Clash	-38.35mm	Not inspected
-------------------------	---	-------	----------	---------------

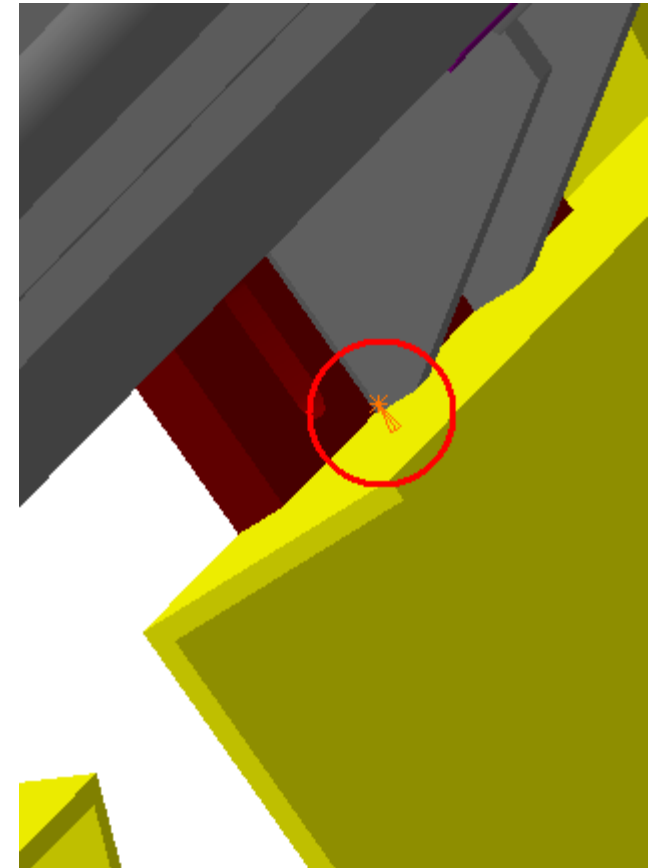
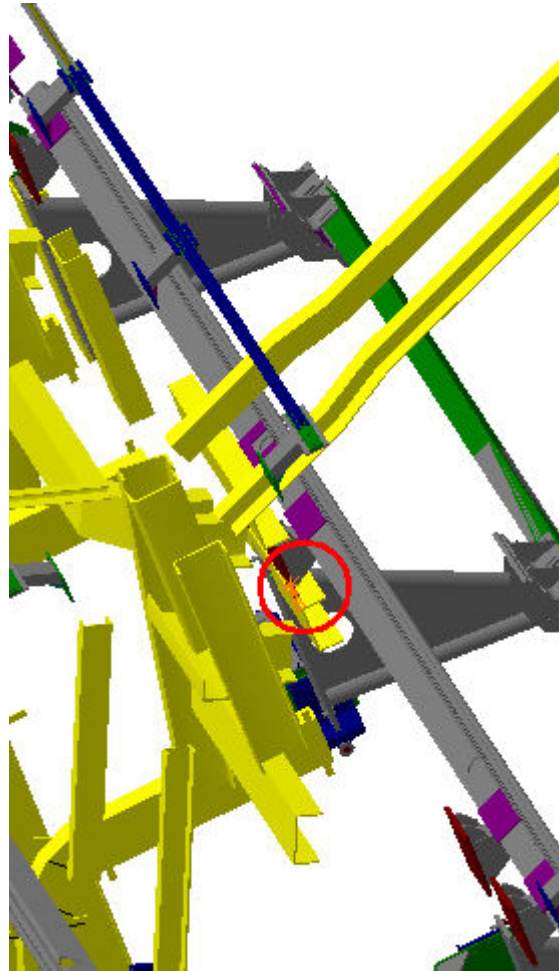
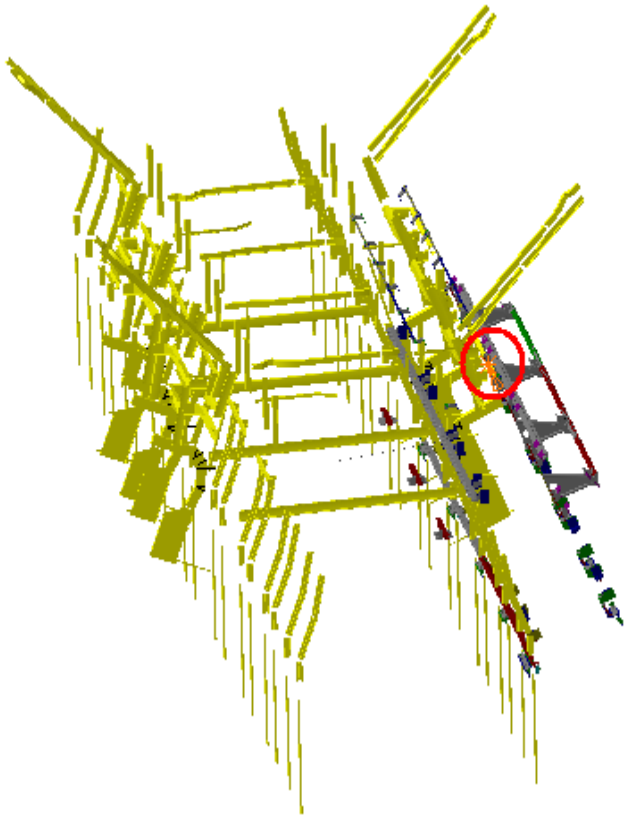


Side C

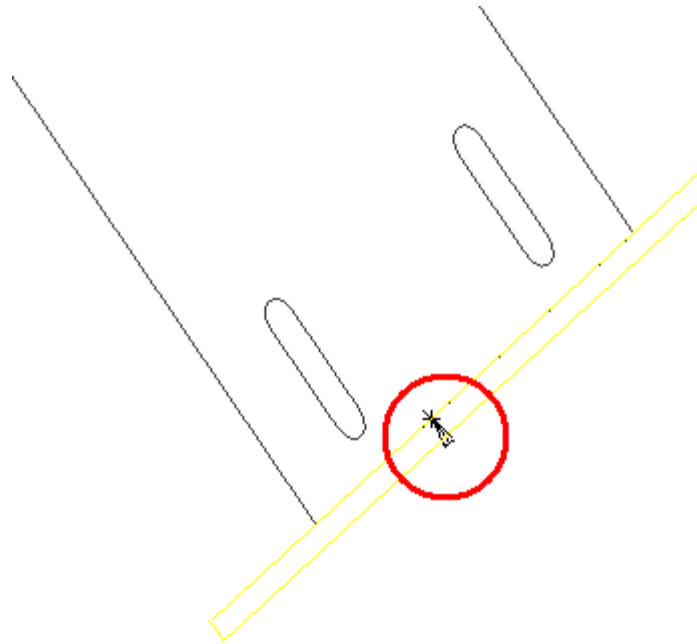
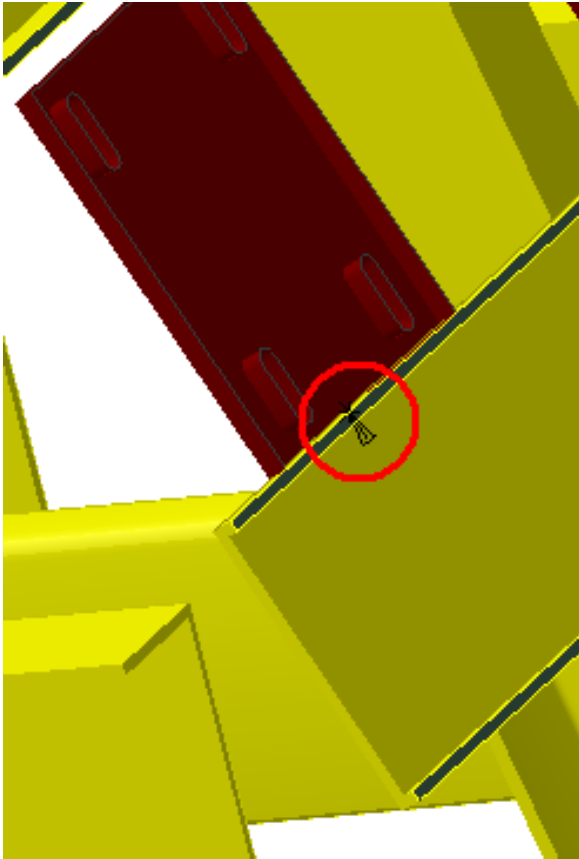
Sector 12

Clash View 1:

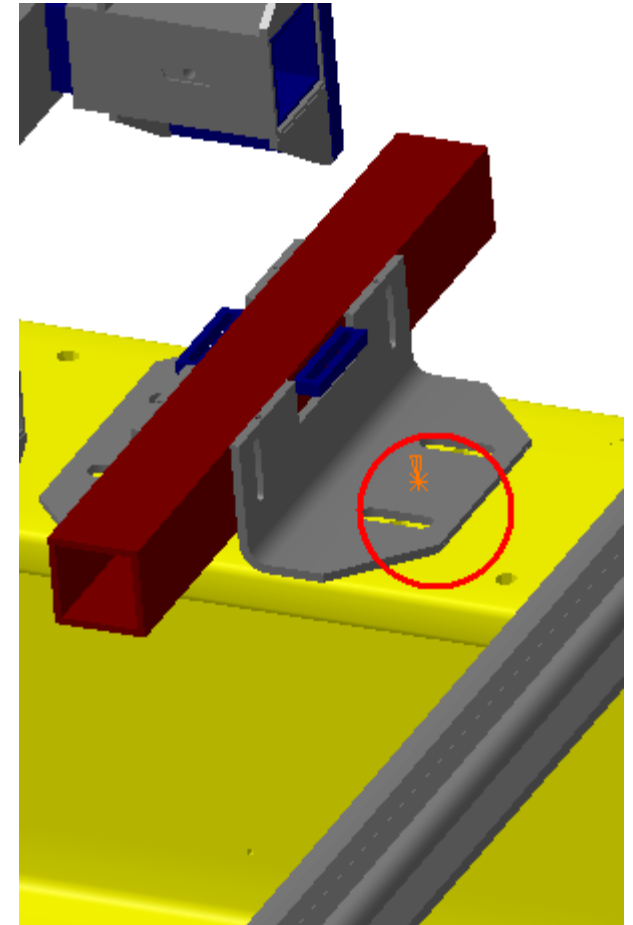
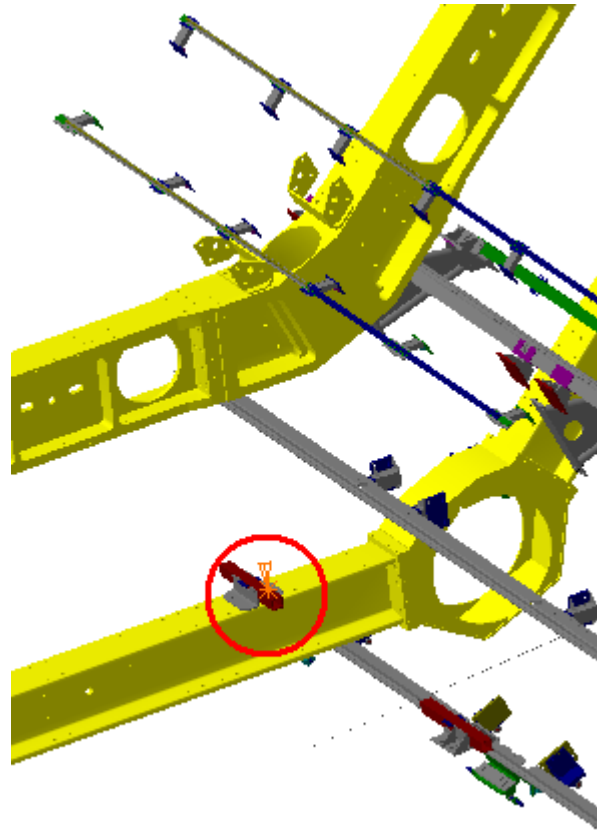
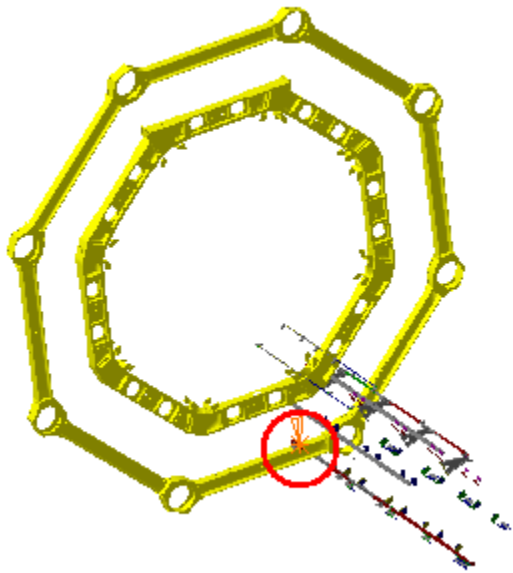




Clash View 1:

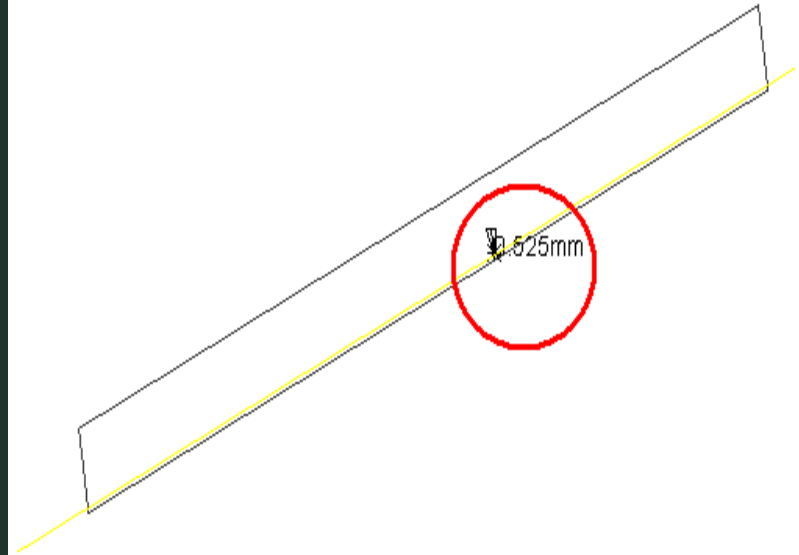
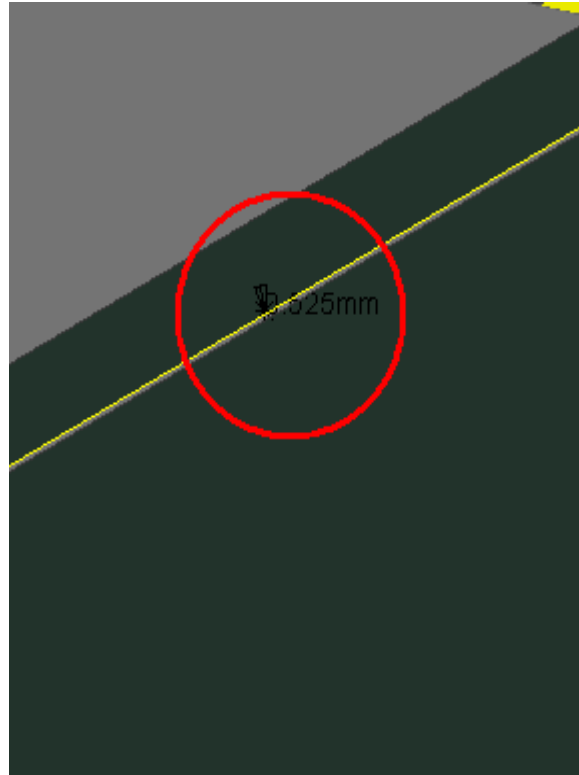
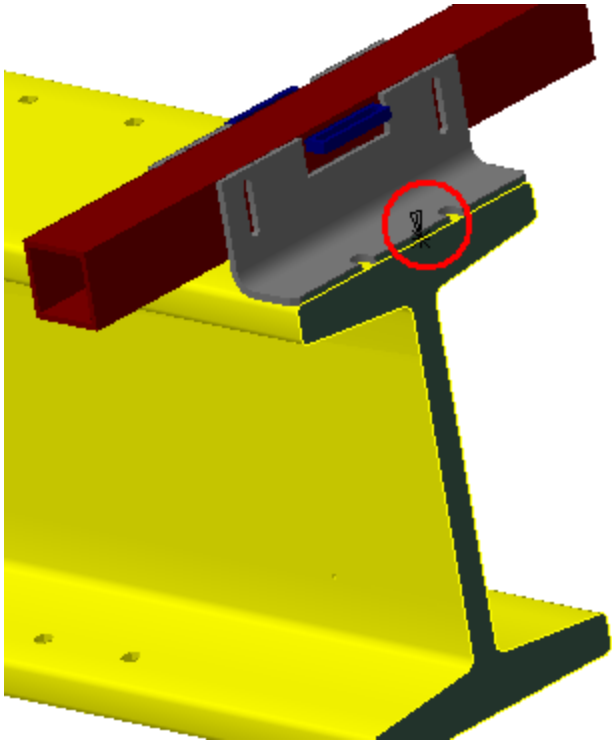


AT612477MQ-Brackets BOF	AT812126MQ-M TBW Structure	Clash	-0.52mm	Not inspected
-------------------------	----------------------------	-------	---------	---------------

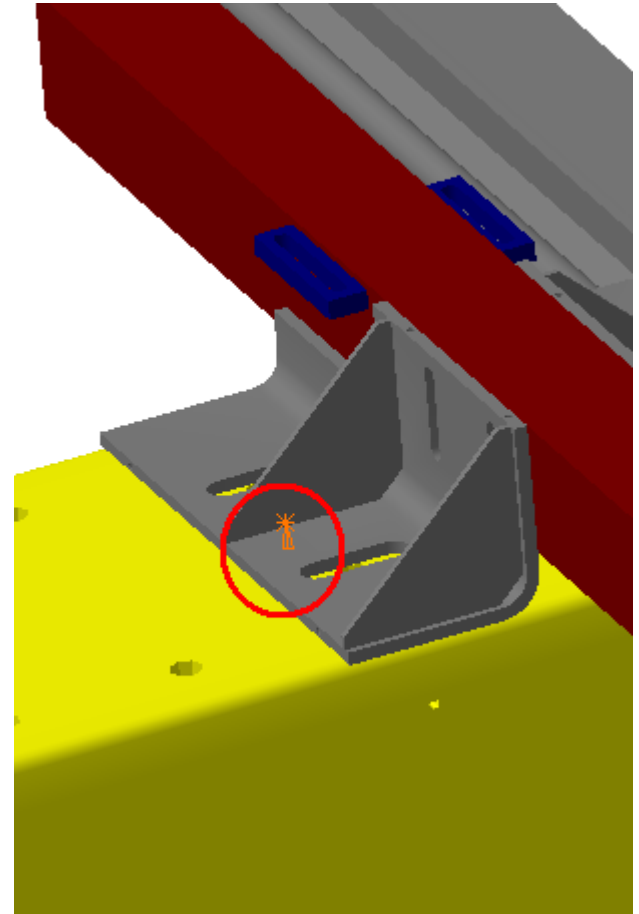
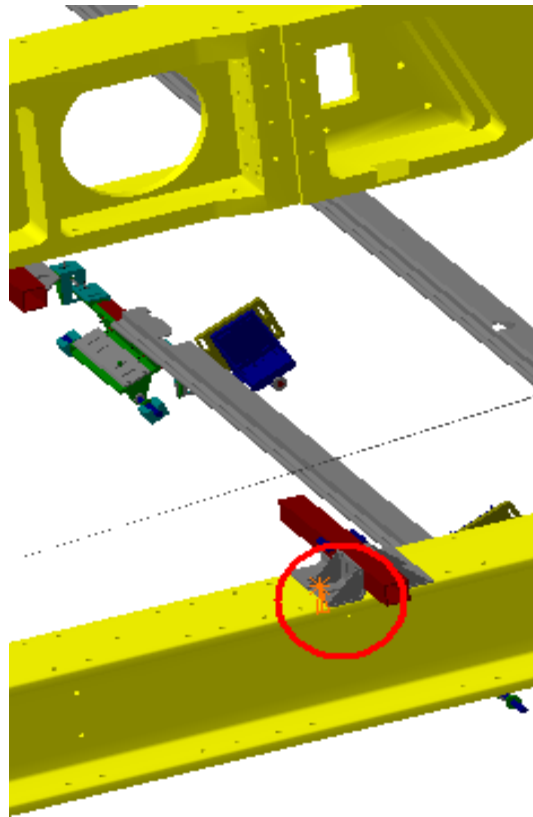
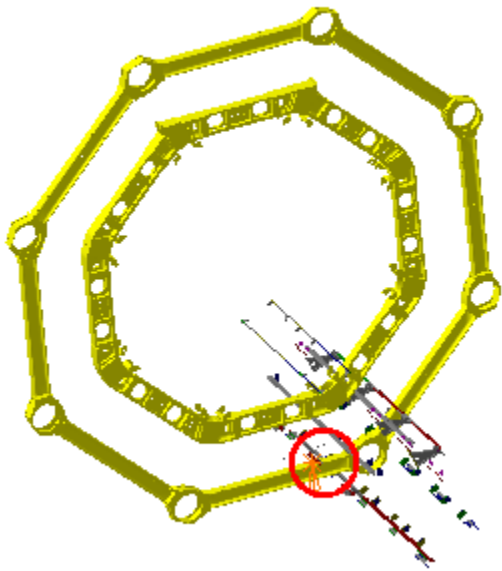


Side C
Sector 13

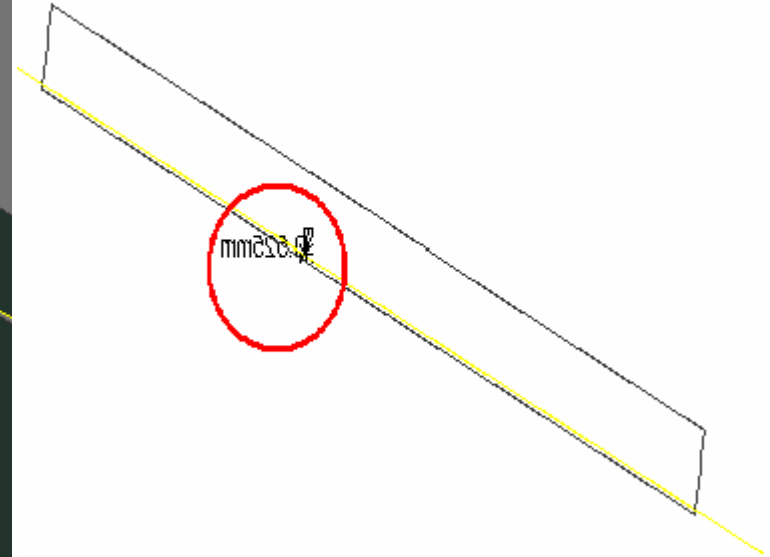
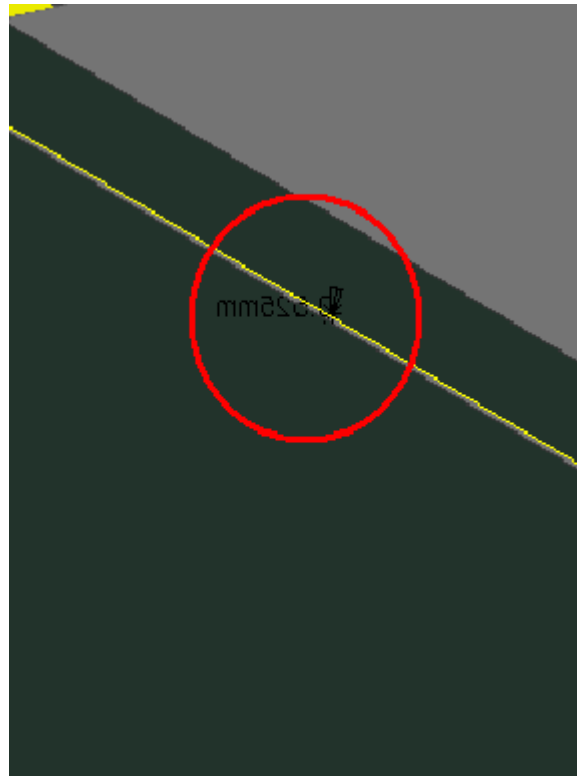
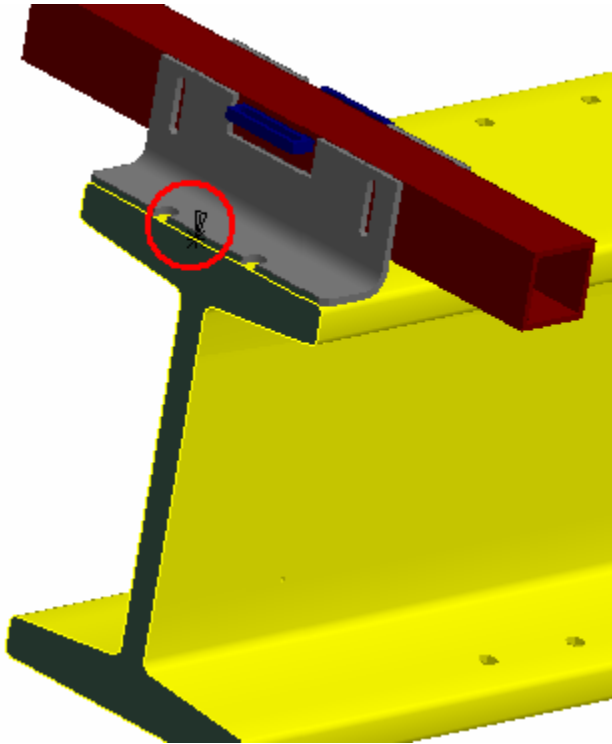
Clash View 1:



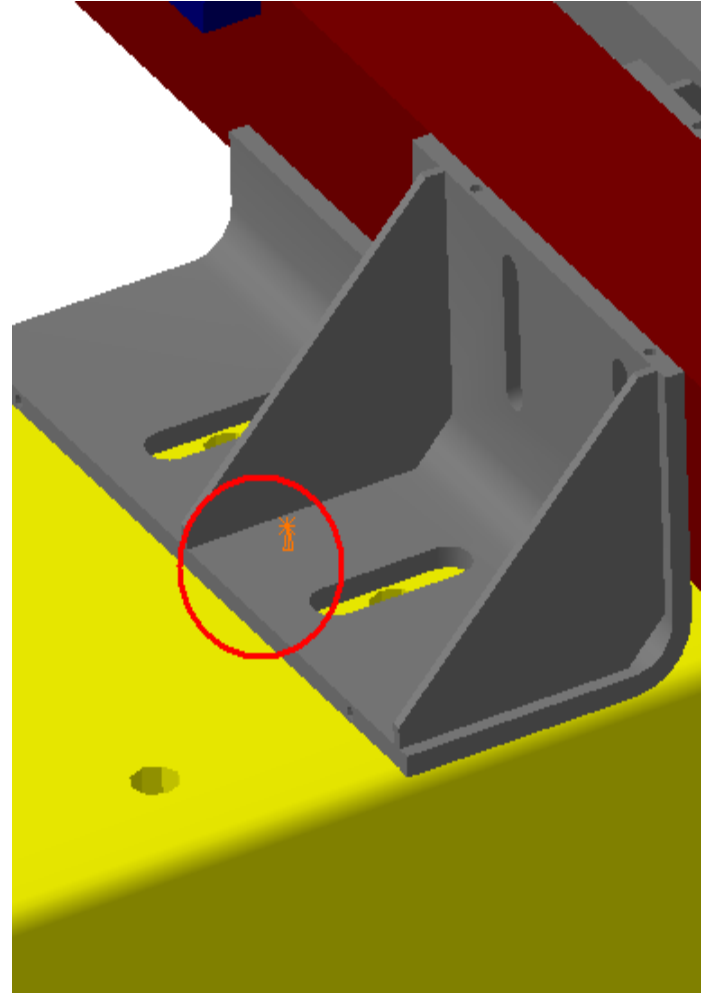
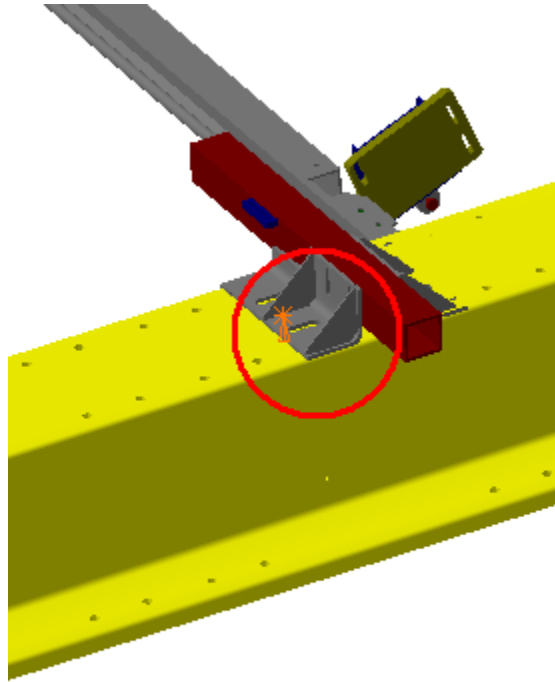
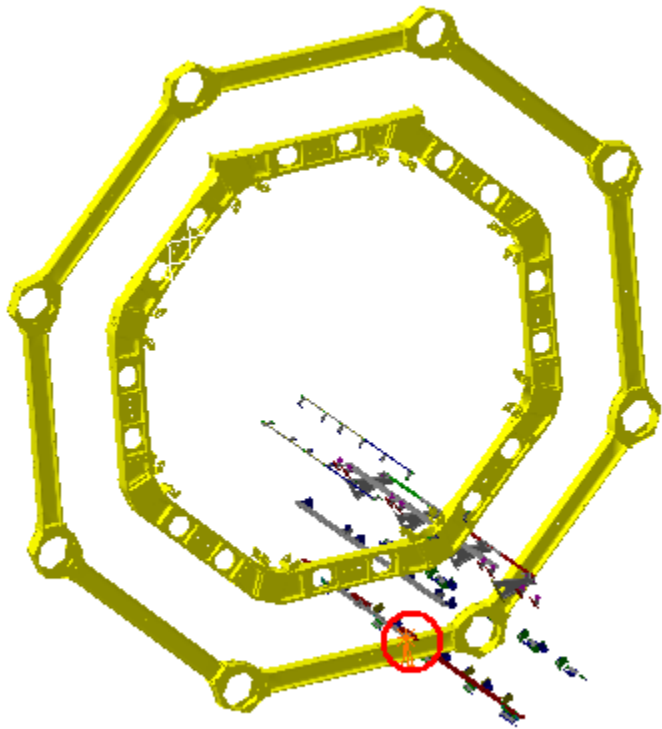
AT612477MQ-Brackets BOF	AT812127MQ-M TBW Structure	Clash	-0.52mm	Not inspected
-------------------------	----------------------------	-------	---------	---------------



Clash View 1:



AT612477MQ-Brackets BOF	AT812128MQ-M TBW Structure	Clash	-0.47mm	Not inspected
-------------------------	----------------------------	-------	---------	---------------



Side C
Sector 13

Clash View 1:

