



Clash Publish

Clash Computation Specification			
Products Selected		Value	Status
AT612432MQ - All BML support in Sec.13	ATCNMC_0019 - MEE CHAMBERS SIDE C - 3D SIMPLIFIED MODEL	93 mm	Not Inspected
	ATCNMA_0007 - BARREL PROJECTIVE ALIGNMENT. - SIMPLE 3-D MODEL. SECTOR 13	128 mm	Not inspected
	ATCVHB_0001 - CENTRAL PAIR OF FEET B - DETAILED MODEL FOR STANDARDS	22 mm	Not inspected

Computation Result:

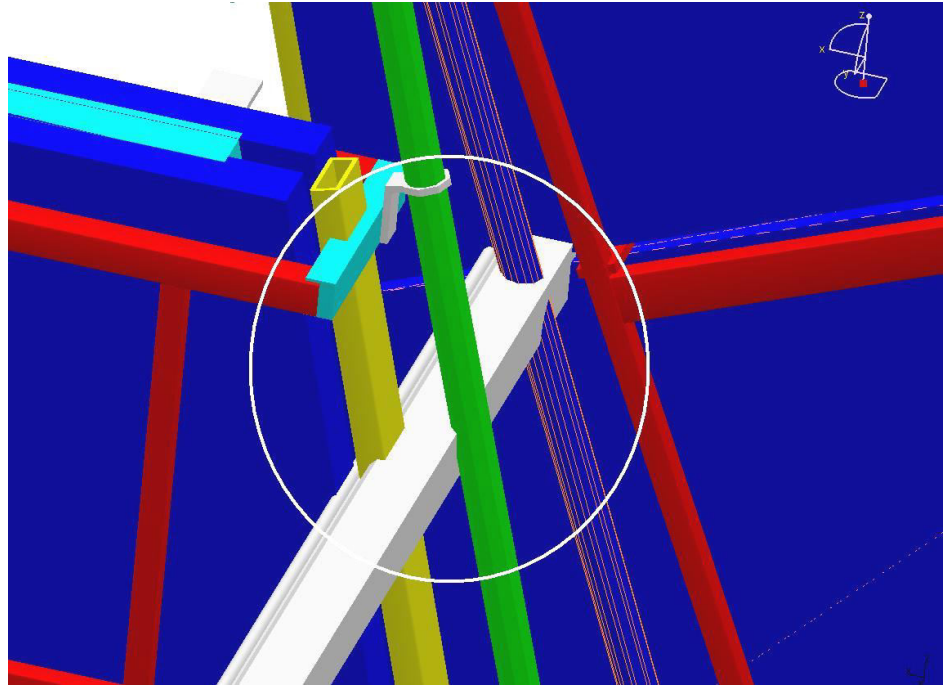
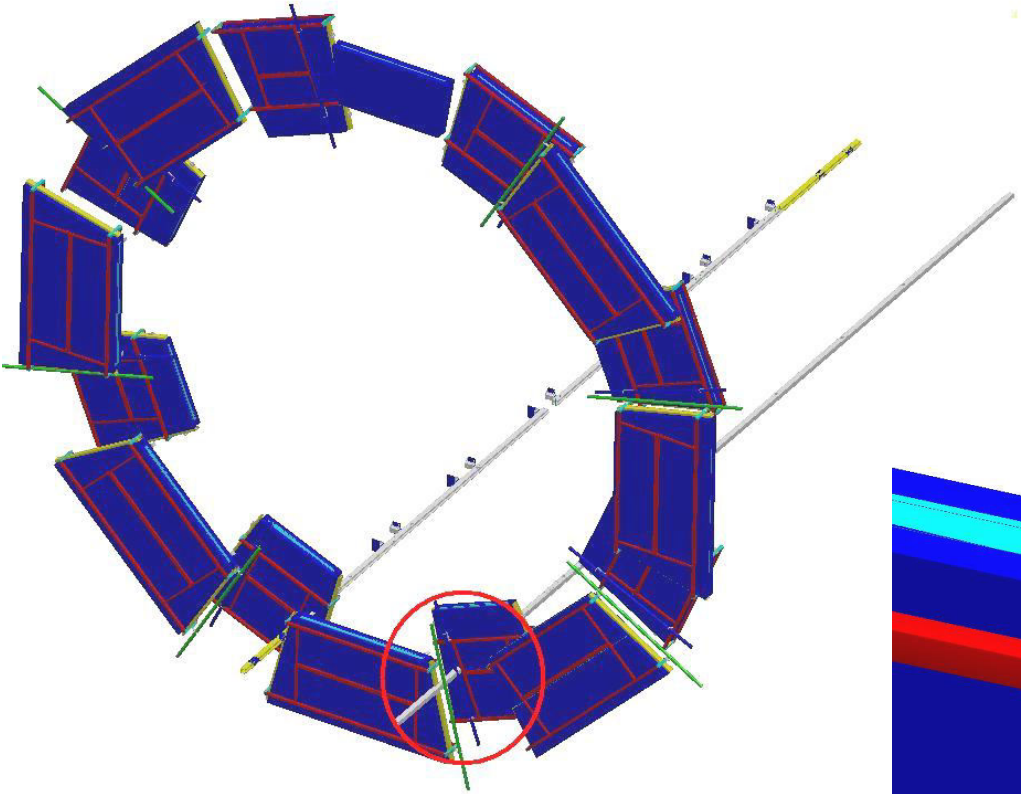


Clash Publish

Clash Computation Specification	
Products Selected	
AT612432MQ - All BML support in Sec.13	ATCNMC_0019 - MEE CHAMBERS SIDE C - 3D SIMPLIFIED MODEL

Computation Result:

AT612432MQ	ATCNMC_0019	Clash	-93 mm	Not inspected
------------	-------------	-------	--------	---------------



Clash value: ~ 93 mm
SIDE C, Sector 13

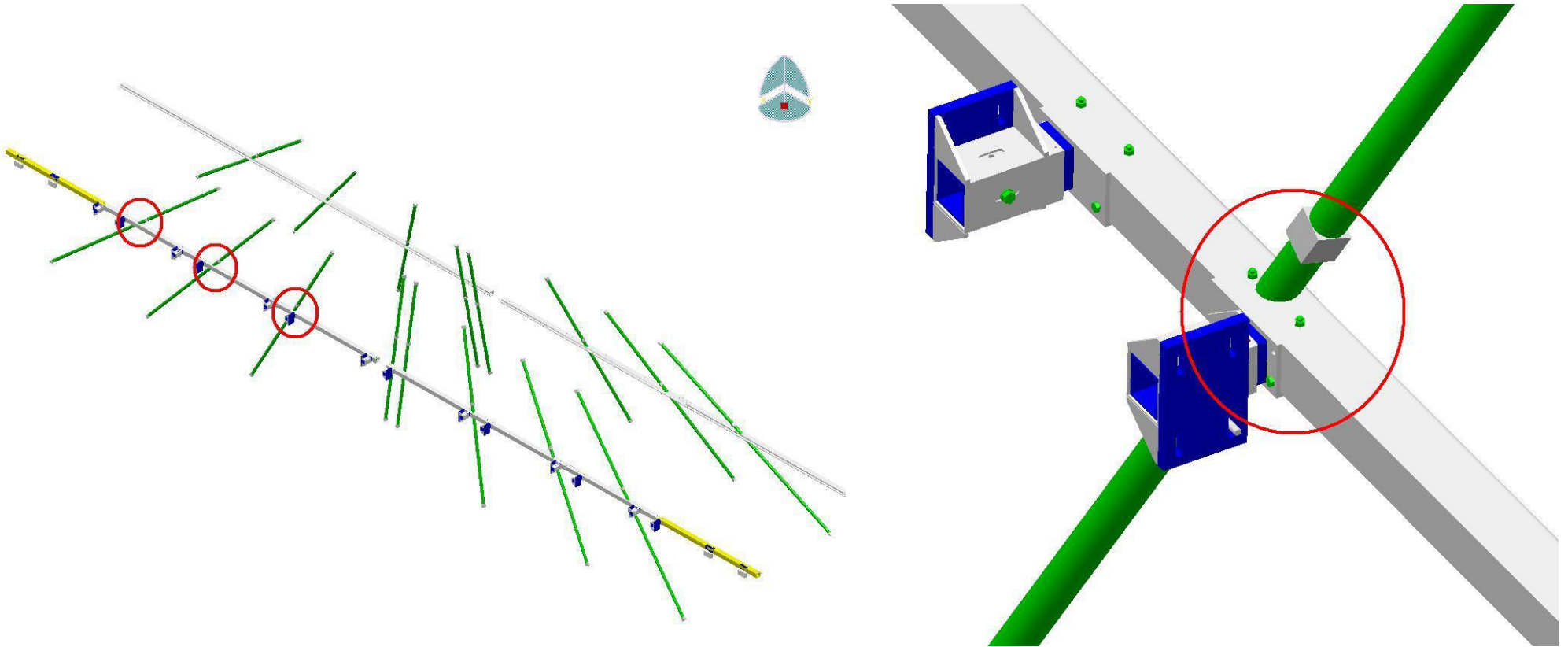


Clash Publish

Clash Computation Specification	
Products Selected	
AT612432MQ - All BML support in Sec.13	ATCNMA_0007 - BARREL PROJECTIVE ALIGNMENT. - SIMPLE 3-D MODEL. SECTOR 13

Computation Result:

AT612432MQ	ATCNMA_0007	Clash	-128 mm	Not inspected
------------	-------------	-------	---------	---------------



Clash value: ~ -128 mm

SIDE A, Sector 13

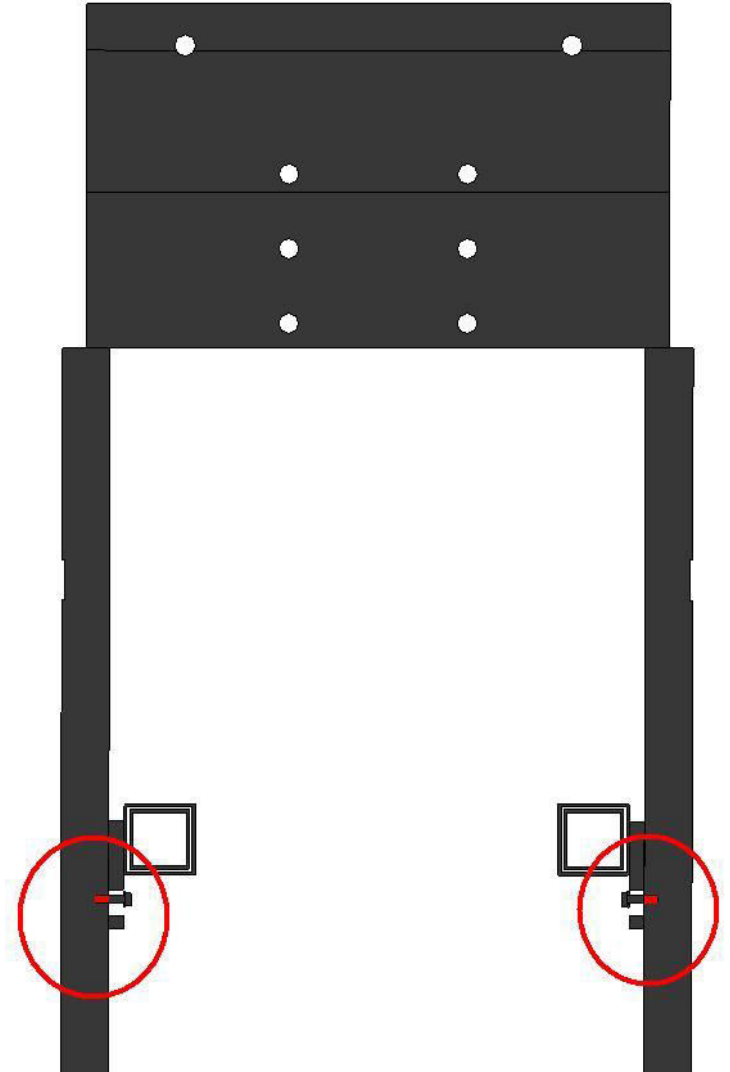
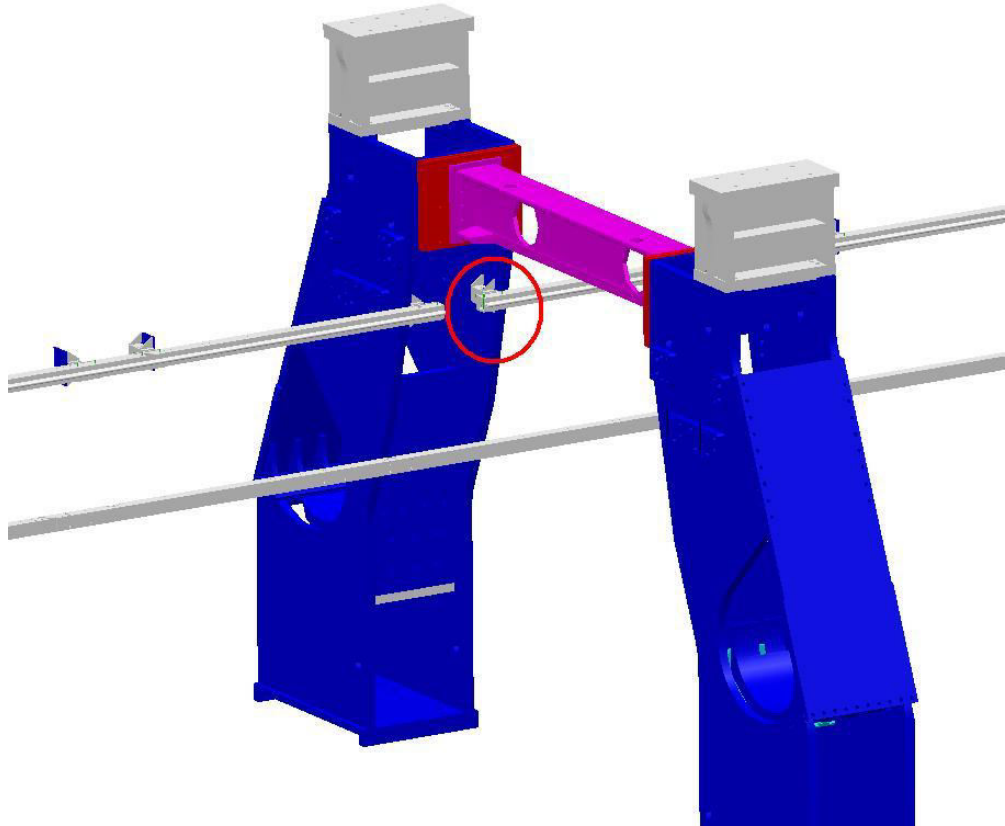
Clash Publish



Clash Computation Specification	
Products Selected	
AT612432MQ - All BML support in Sec.13	ATCVHB_0001 - CENTRAL PAIR OF FEET B - DETAILED MODEL FOR STANDARDS

Computation Result:

AT612432MQ	ATCVHB_0001	Clash	-22 mm	Not inspected
------------	-------------	-------	--------	---------------



Clash value: ~ 22 mm

SIDE C, Sector 13

Same Conflict with same value exist for the other feet

