



# Clearance Publish

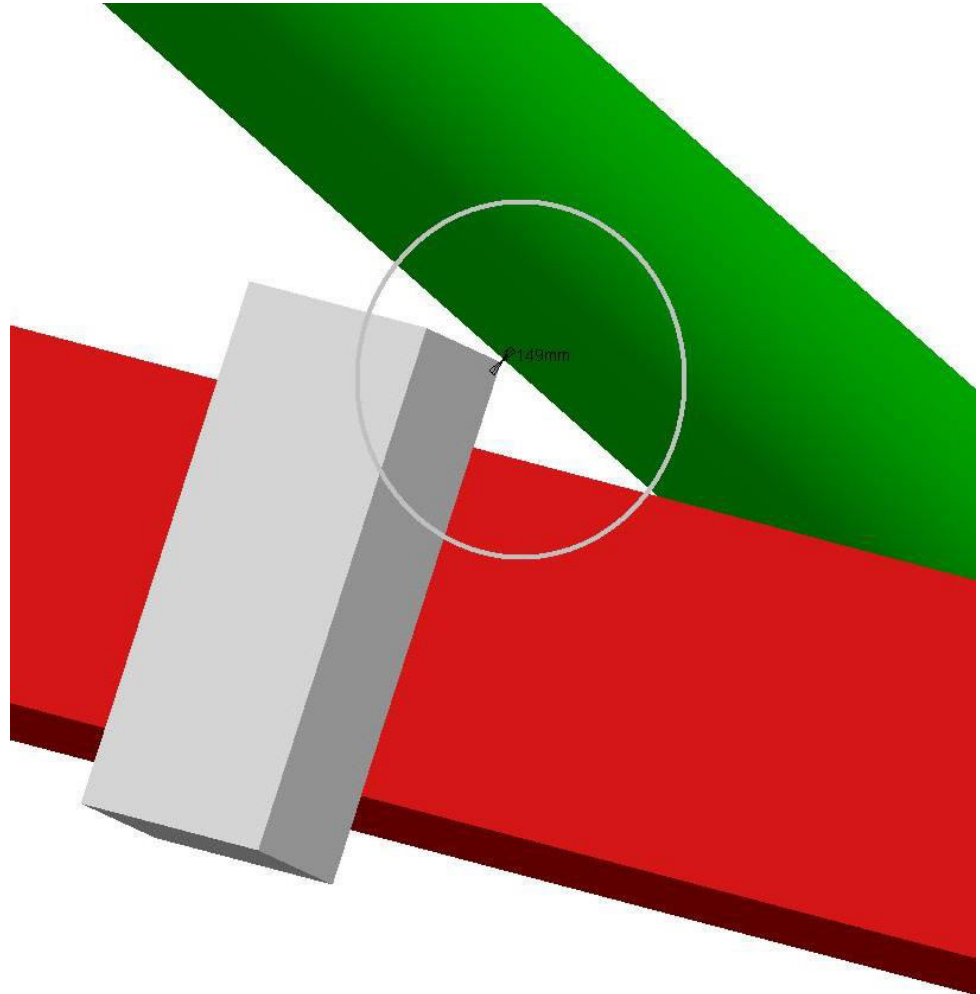
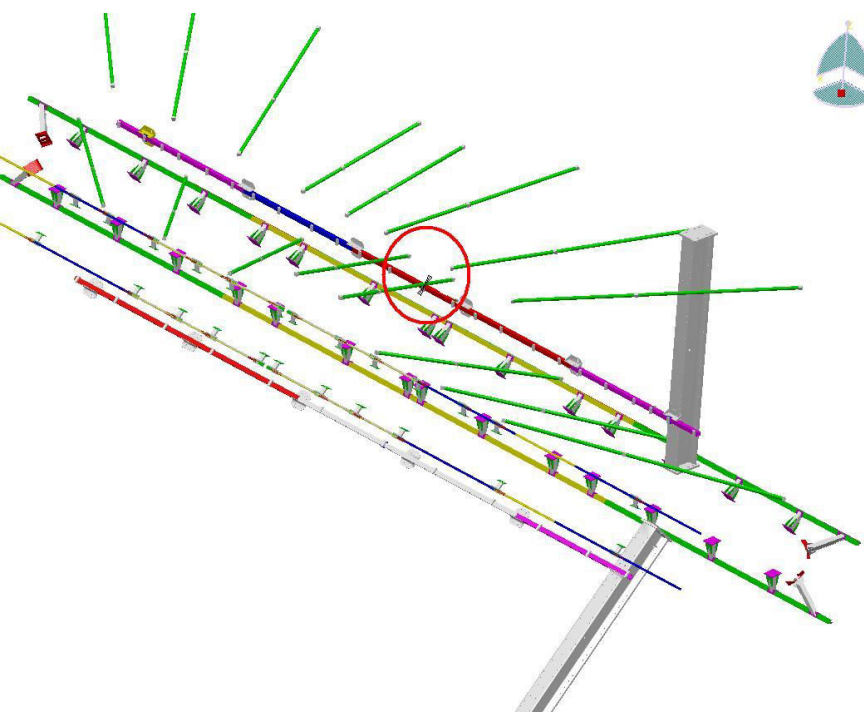
Clearance = 50mm

REVISED  
13/05/2005

## Clearance Computation Specification

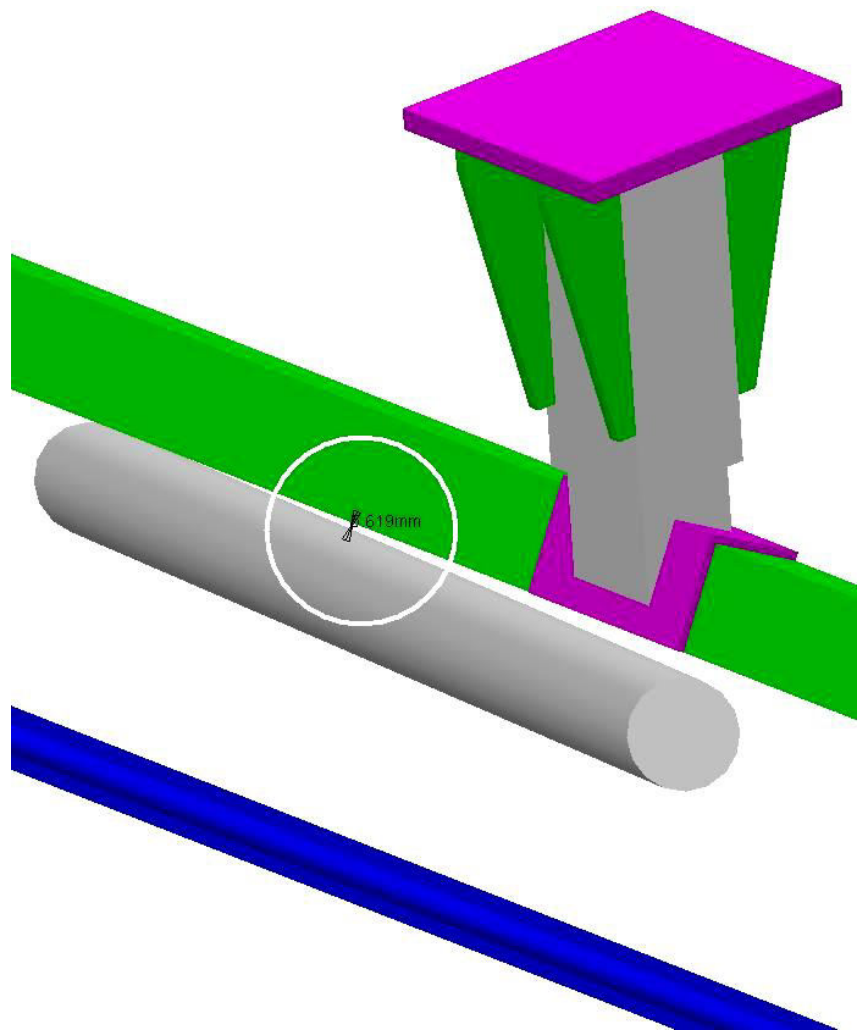
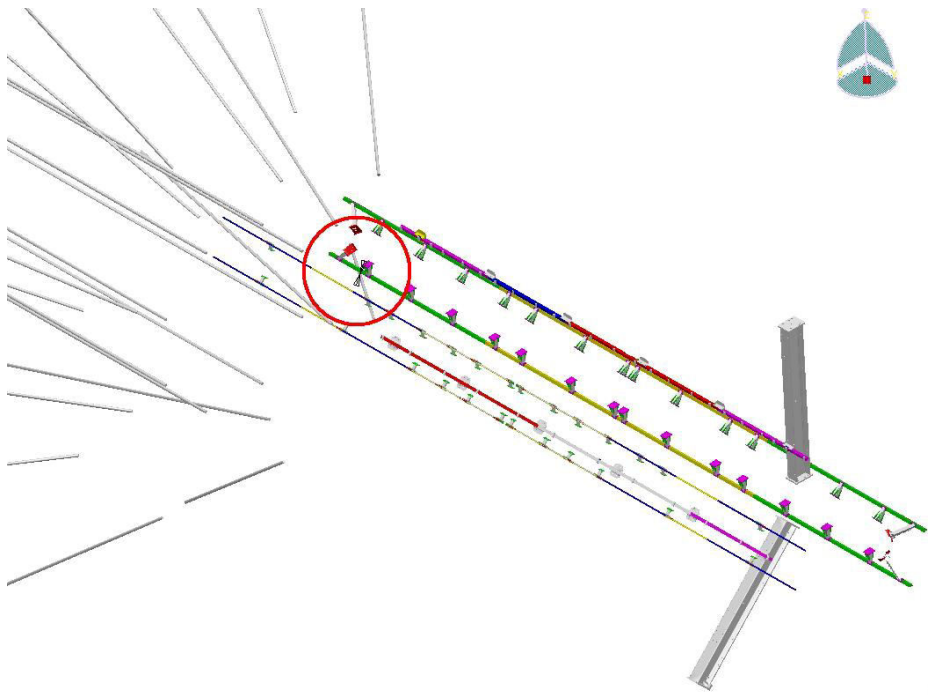
Products Selected		Value	Status
AT612364MQ - All BML support in Sec.9	ATCNMA_0005 – BARREL PROJECTIVE ALIGNMENT. - SIMPLE 3-D MODEL. SECTOR 9	1 mm	Relevant
	ATCNMA_0009 – END CAP ALIGNMENT SIDE "A". - SIMPLE 3-D MODEL	6 mm	Relevant
	ATCNMA_0010 – END CAP ALIGNMENT SIDE "C" - SIMPLE 3-D MODEL	6 mm	Relevant
	AT602160MQ – Muon Barrel Chambers Sector 9	8 mm	Relevant

AT612364MQ - All BML support in Sec.9	ATCNMA_0005 - BARREL PROJECTIVE ALIGNMENT. - SIMPLE 3-D MODEL. SECTOR 9	Clearance	1.1 mm	Relevant
---	--	-----------	--------	----------



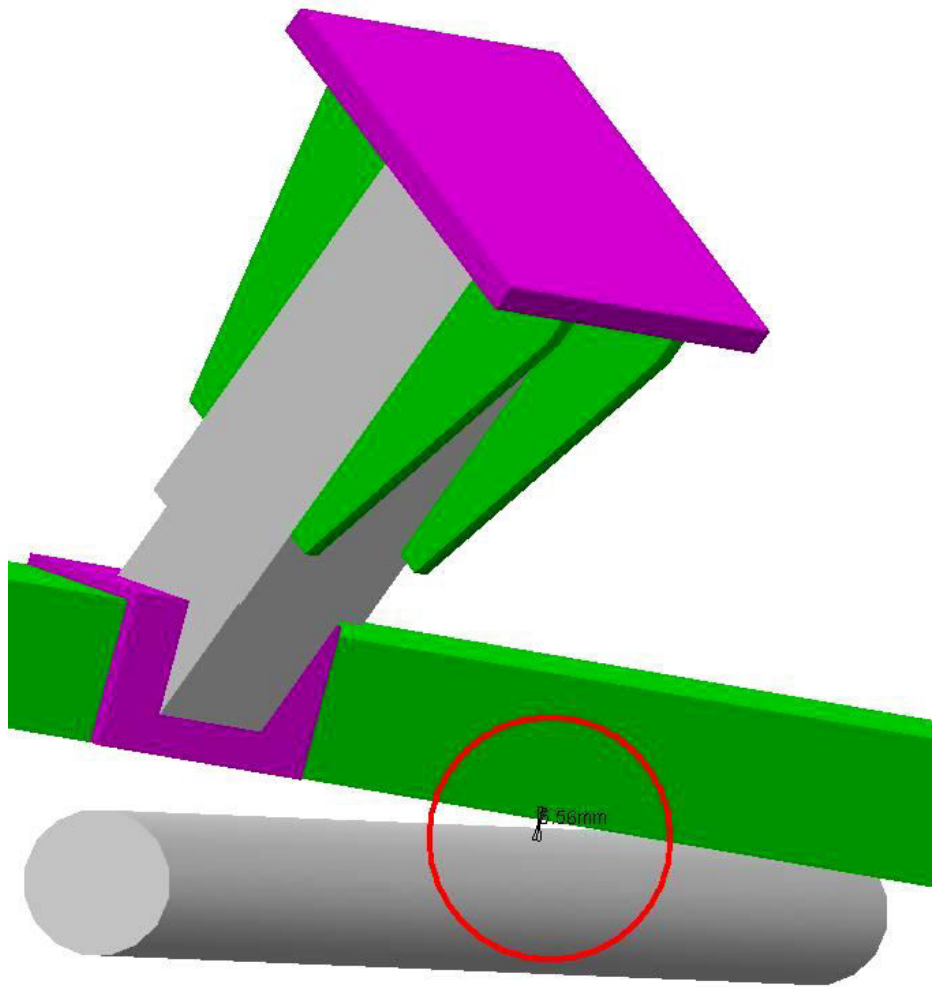
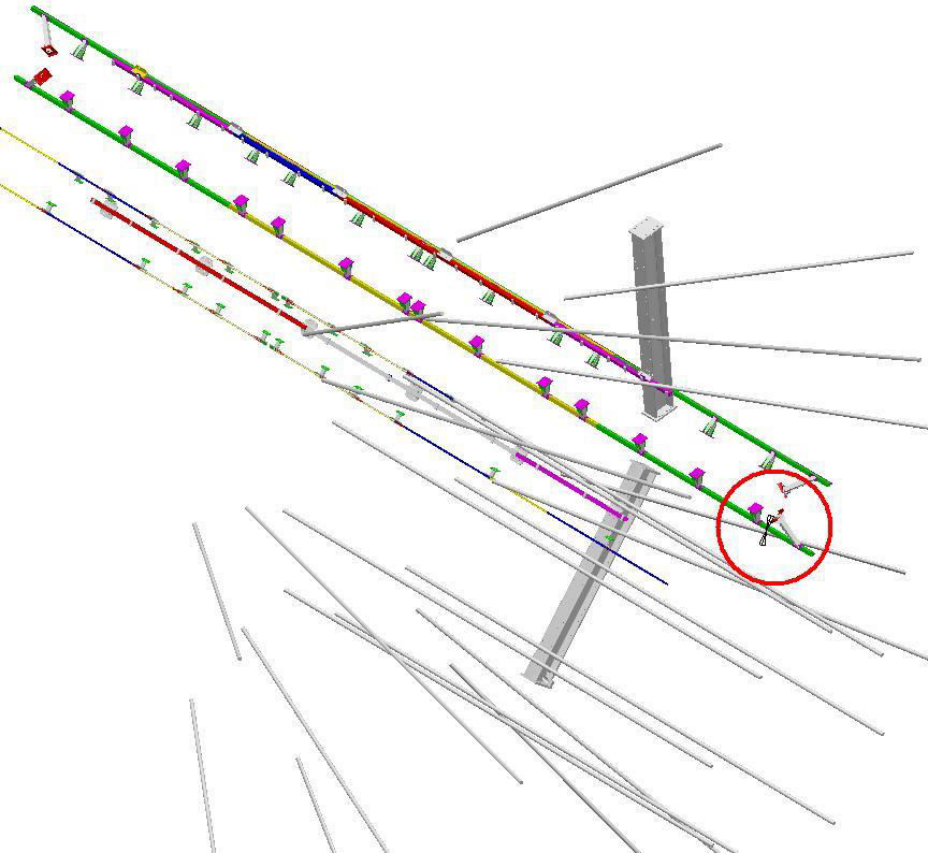
SIDE C, Sector 9

AT612432MQ - All BML support in Sec.9	ATCNMA_0009 - END CAP ALIGNMENT SIDE "A". - SIMPLE 3-D MODEL	Clearance	6 mm	Relevant
---	--	-----------	------	----------



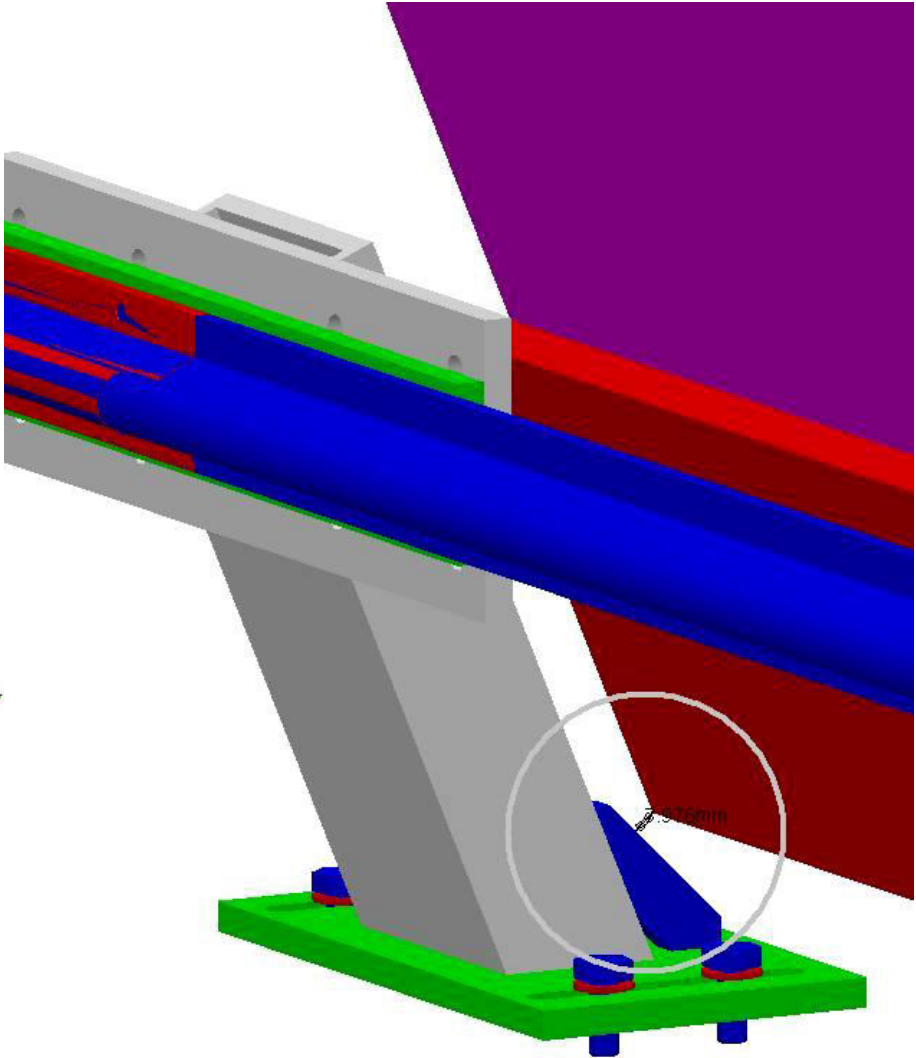
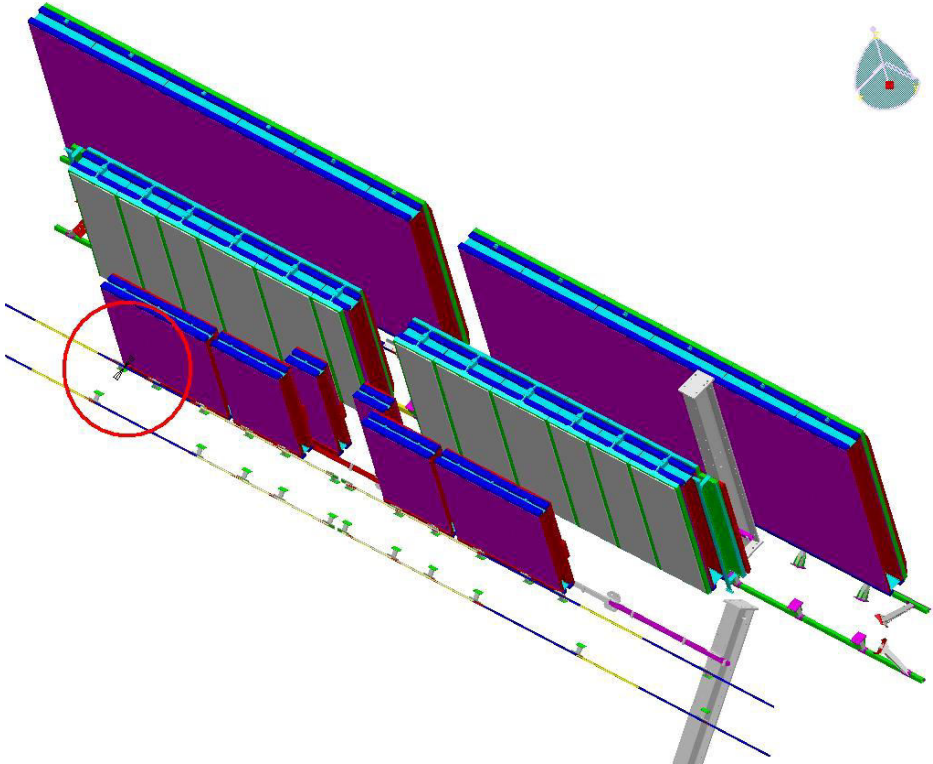
SIDE A Sector 9

AT612432MQ - All BML support in Sec.9	ATCNMA_0010 - END CAP ALIGNMENT SIDE "C" - SIMPLE 3-D MODEL	Clearance	6 mm	Relevant
---	---	-----------	------	----------



SIDE C Sector 9

AT612432MQ - All BML support in Sec.9	AT602160MQ – Muon Barrel Chambers Sector 9	Clearance	8 mm	Relevant
---	---	-----------	------	----------



SIDE A Sector 9