

## Clash Publish



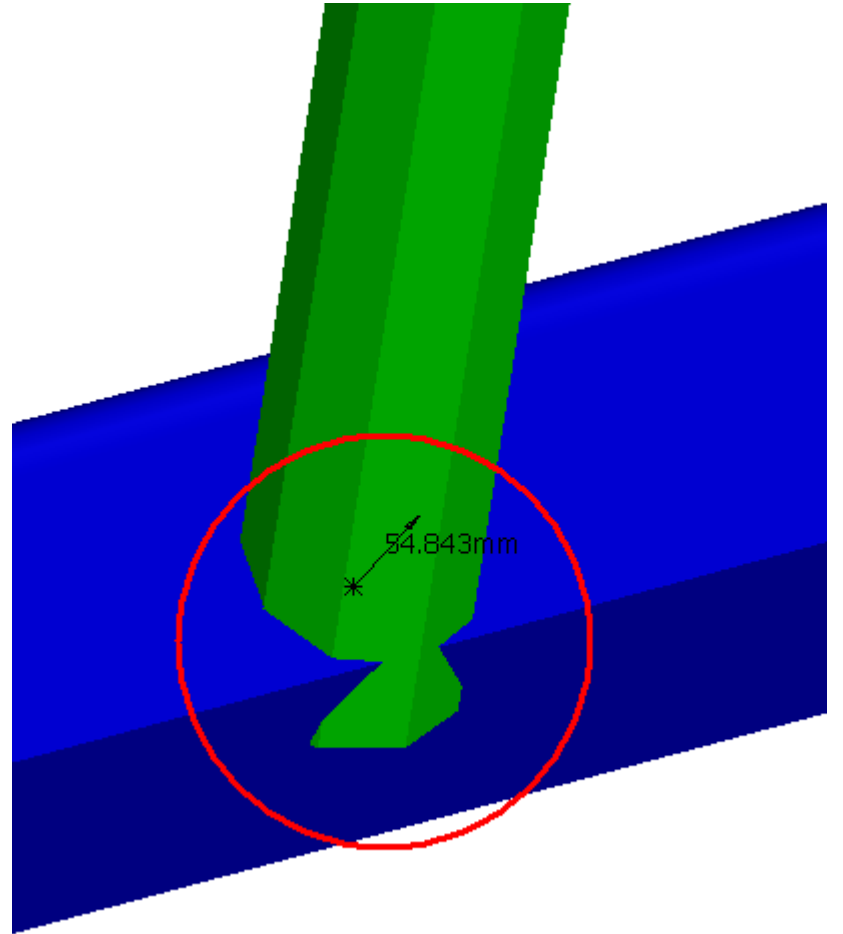
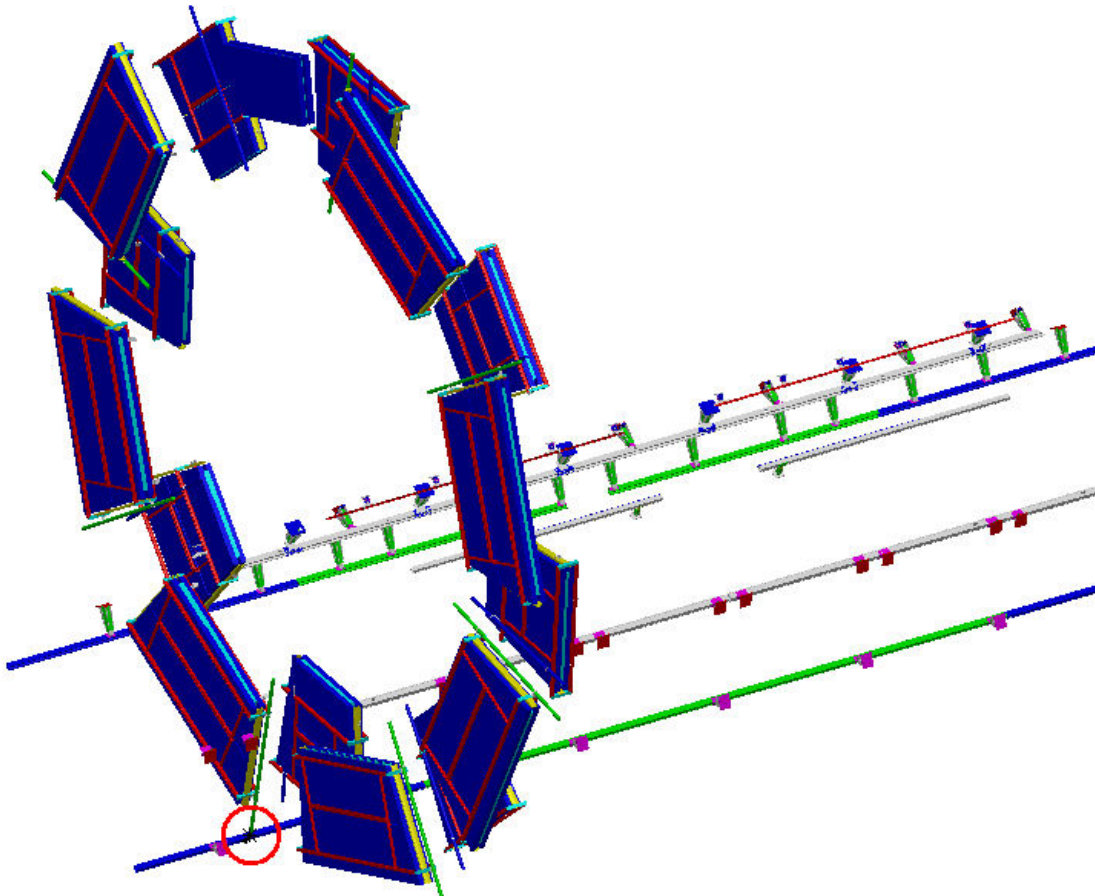
### Clash Computation Specification

Products Selected		Value	Status
AT612360MQ - MUON SUPPORT, SECTOR 15	NMC_0019 - MEE CHAMBERS SIDE C - 3D SIMPLIFIED MODEL	-54.8 mm	Relevant
	AT632628MQ - ALIGNMENT BAR EIL4, SIDE C, SECTOR 1	-26.2 mm	Relevant
	AT632635MQ - ALIGNMENT BAR EIL4, SIDE C, SECTOR 15	-130.4 mm	Relevant
	AT632803MQ - FRAME + ALIGNMENT BAR EIL4, SIDE A, SECTOR 1	-26.2 mm	Relevant
	AT632810MQ - ALIGNMENT BAR EIL4, SIDE A, SECTOR 15	-130.6 mm	Relevant
	NMA_0008 - RING C1 SECTOR 15 - TB WARM STRUCTURE	-140.9 mm	Relevant
	NTB_0001 BT16 - TB STANDARD COIL – SECTOR 16	-130 mm	Relevant

Lasha: I have already removed NR Conflicts

Products Selected		Value	Status
AT612360MQ - MUON SUPPORT, SECTOR 15	AT812126MQ - WARM STRUCTURE	-27.4 mm	Relevant
	AT812126MQ-M - WARM STRUCTURE	-29.9 mm	Relevant
	AT812127MQ - WARM STRUCTURE	-27.5 mm	Relevant
	AT812127MQ-M - WARM STRUCTURE	-29.7 mm	Relevant
	AT812128MQ - WARM STRUCTURE	-36.1 mm	Relevant
	AT812128MQ-M - WARM STRUCTURE	-33.4 mm	Relevant

<p>AT612360MQ - MUON SUPPORT, SECTOR 15</p>	<p>NMC_0019 - MEE CHAMBERS SIDE C - 3D SIMPLIFIED MODEL</p>	<p>Clash</p>	<p>-54.8 mm</p>	<p>12/102005</p>
---	---	--------------	-----------------	------------------



Clash value: ~ 54.8 mm

SIDE C

Sector 15

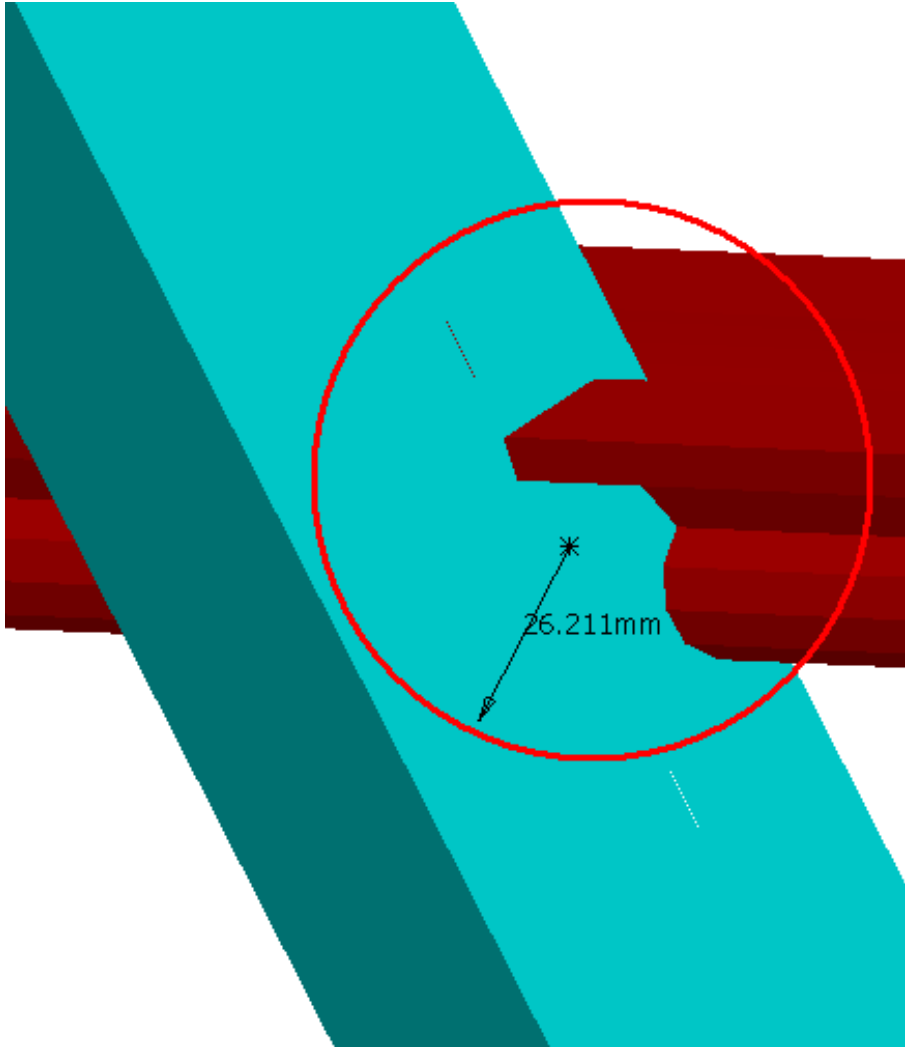
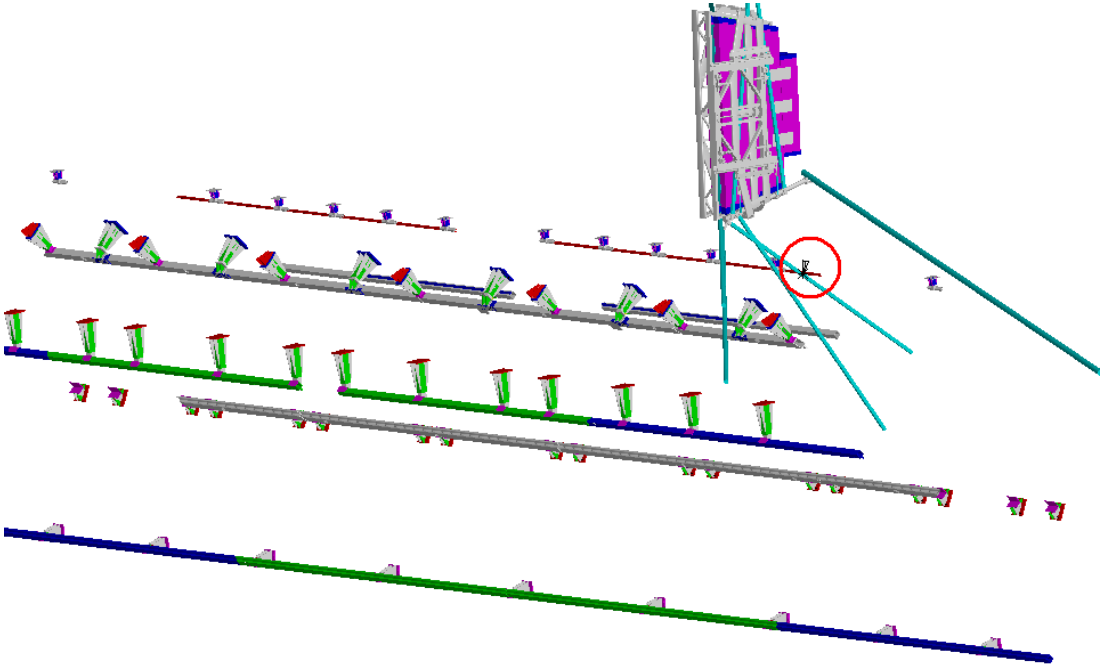
AT612360MQ - MUON SUPPORT,  
SECTOR 15

AT632628MQ - ALIGNMENT BAR EIL4, SIDE C,  
SECTOR 1

Clash

-26.2 mm

12/102005



Clash value: ~ 26.2 mm

SIDE C

Sector 15

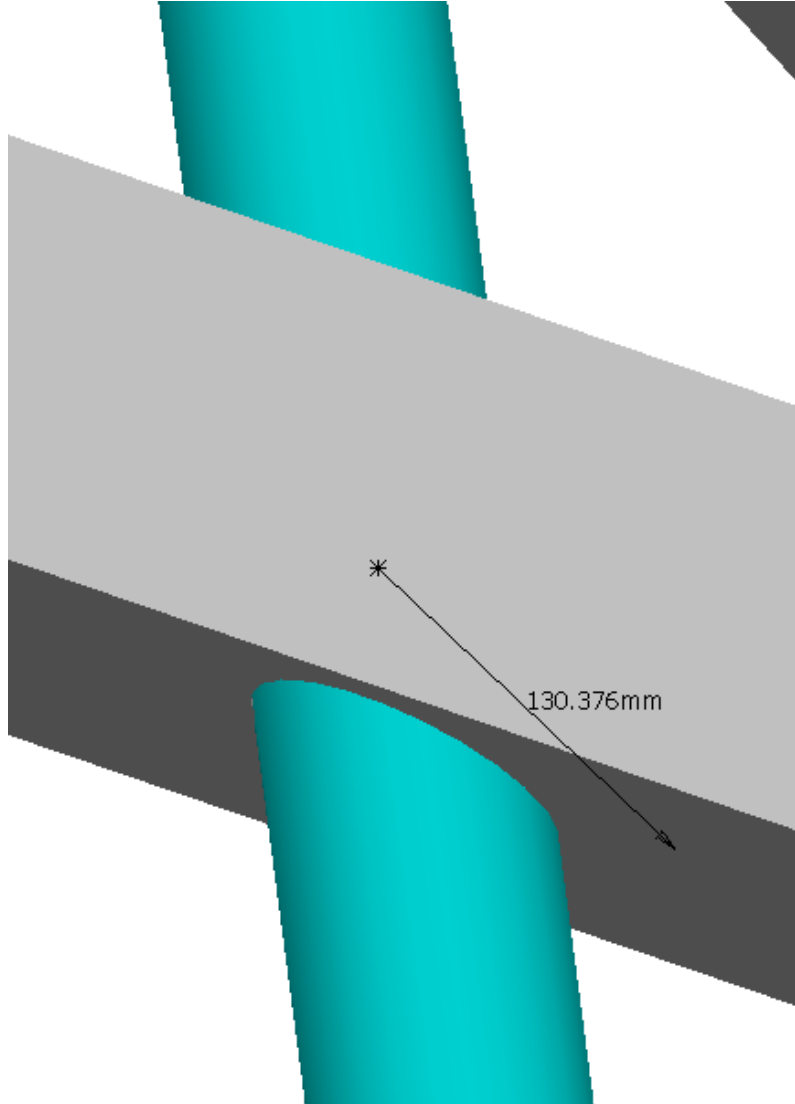
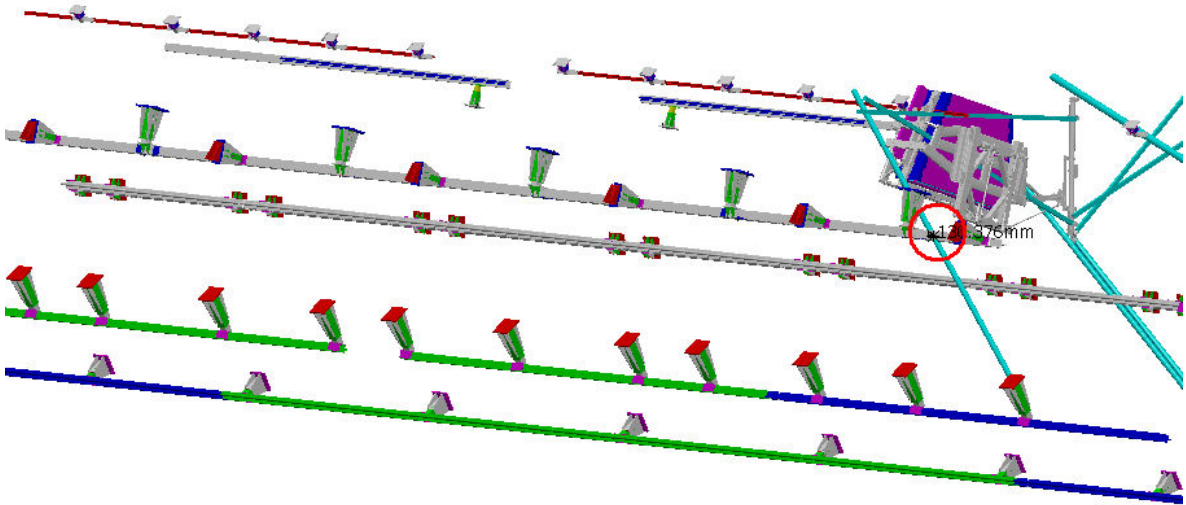
AT612360MQ - MUON SUPPORT,  
SECTOR 15

AT632635MQ - ALIGNMENT BAR EIL4, SIDE C,  
SECTOR 15

Clash

-130.4 mm

12/102005

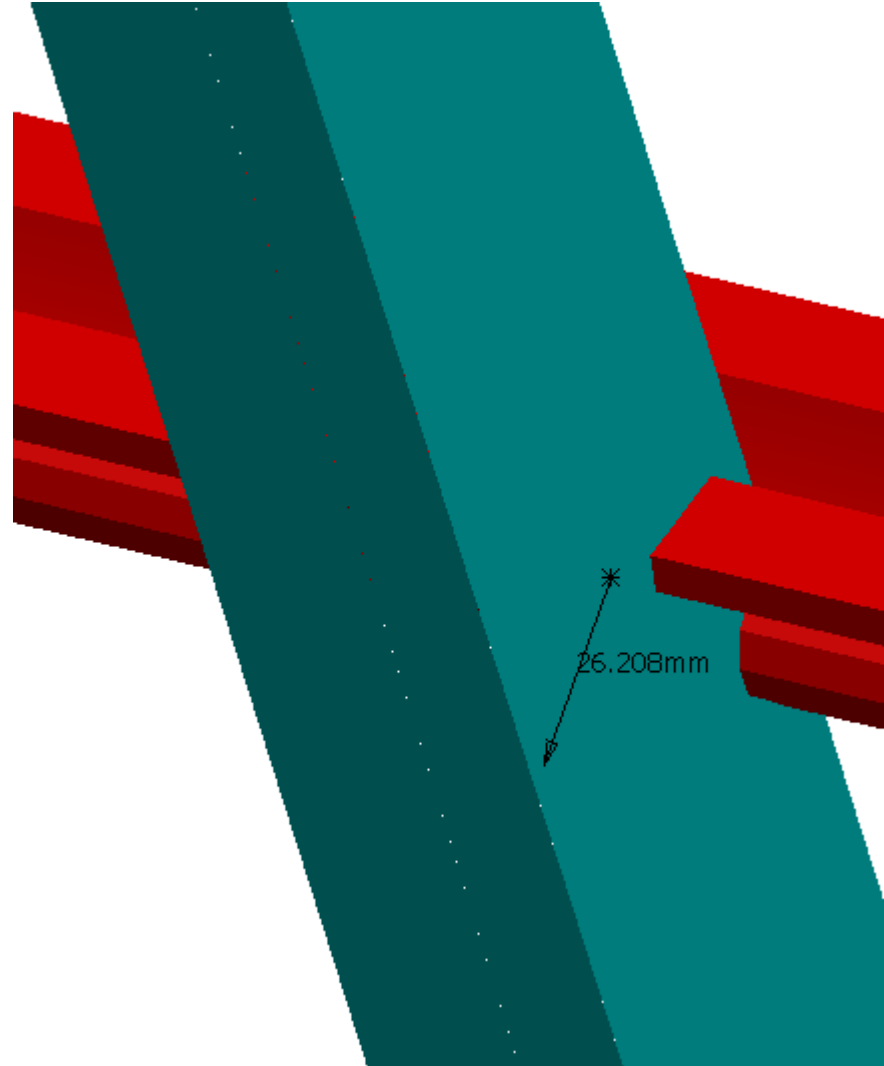
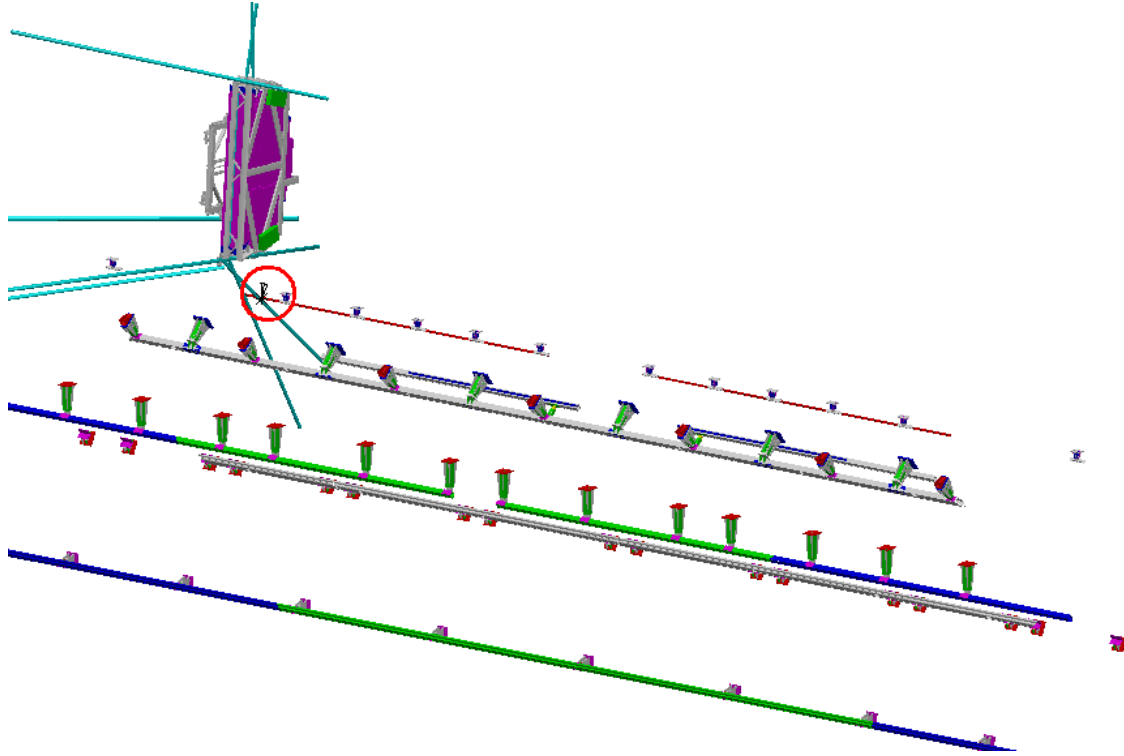


Clash value: ~ 130.4 mm

SIDE C

Sector 15

<p>AT612360MQ - MUON SUPPORT, SECTOR 15</p>	<p>AT632803MQ - FRAME + ALIGNMENT BAR EIL4, SIDE A, SECTOR 1</p>	<p>Clash</p>	<p>-26.2 mm</p>	<p>12/102005</p>
---	--	--------------	-----------------	------------------

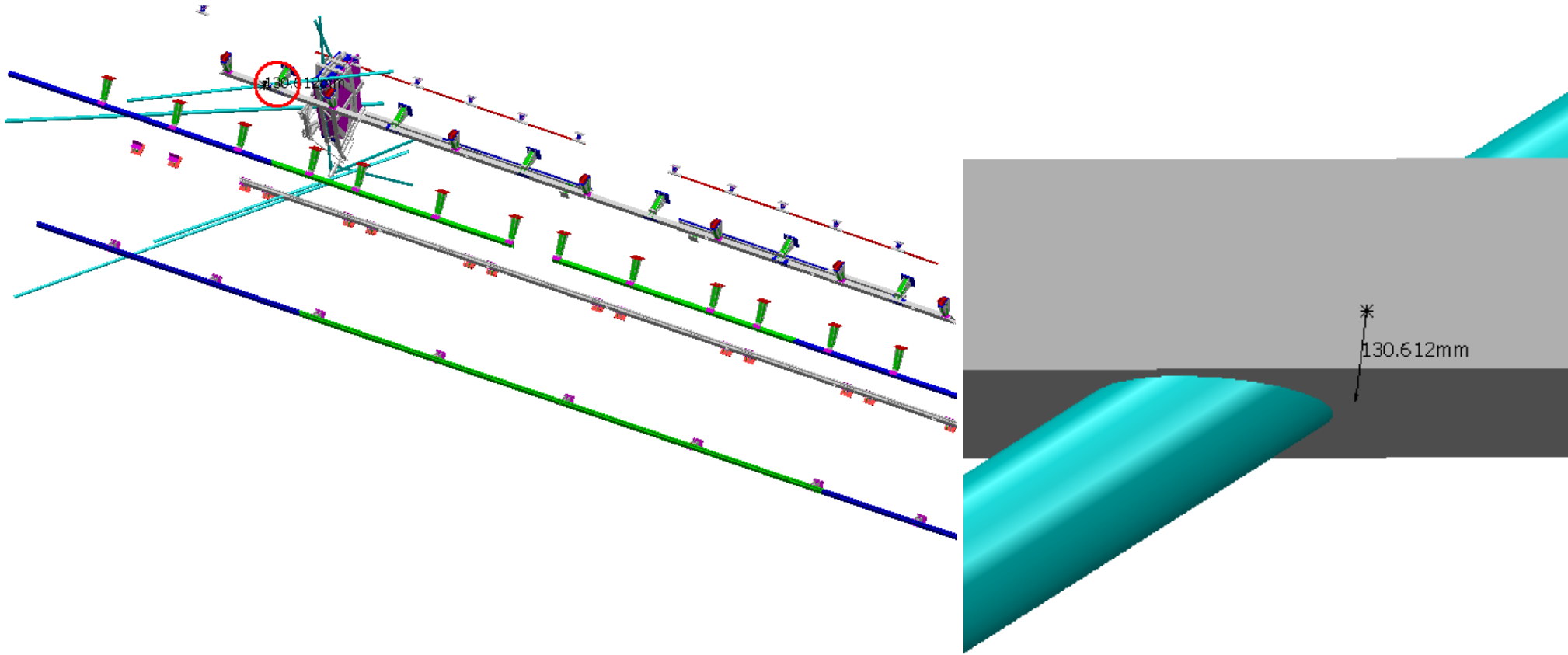


Clash value: ~ 26.2 mm

SIDE A

Sector 15

AT612360MQ - MUON SUPPORT, SECTOR 15	AT632810MQ - ALIGNMENT BAR EIL4, SIDE A, SECTOR 15	Clash	-130.6 mm	12/102005
---	---	-------	-----------	-----------

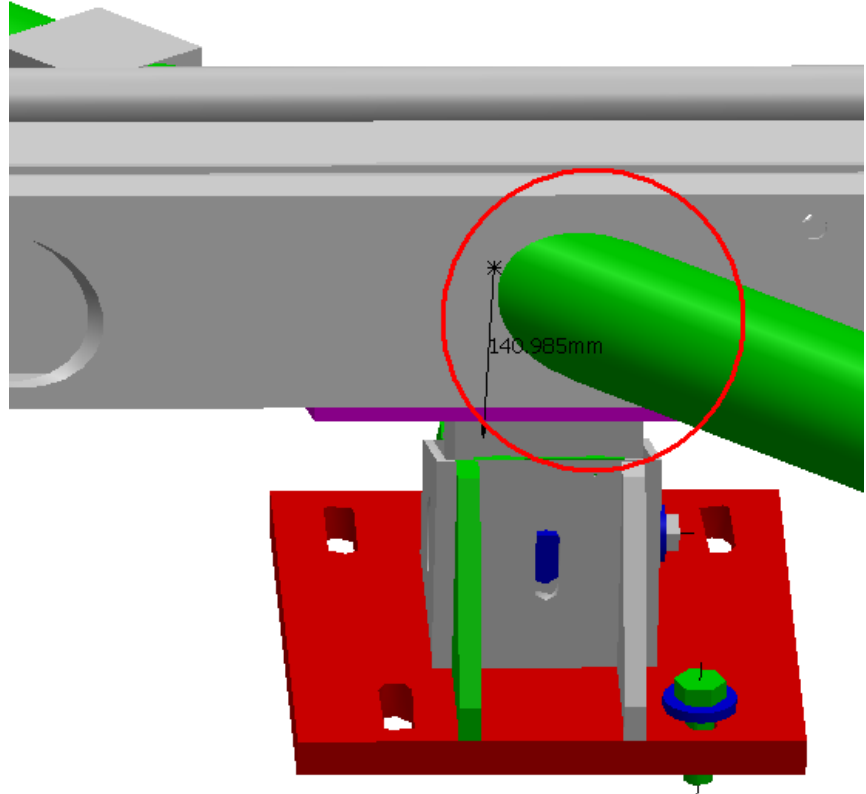
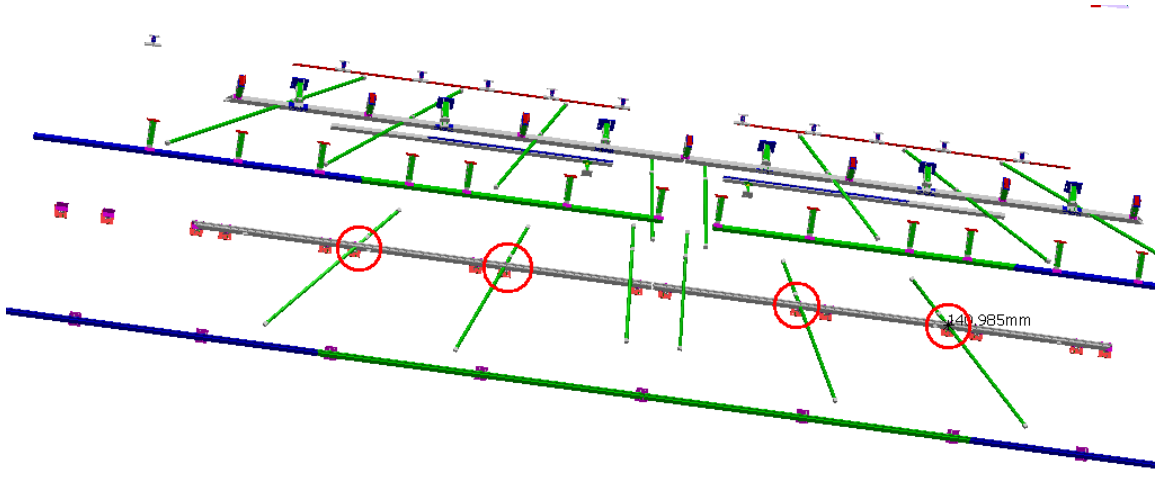


Clash value: ~ 130.6 mm

SIDE A

Sector 15

AT612360MQ - MUON SUPPORT, SECTOR 15	NMA_0008 - RING C1 SECTOR 15 - TB WARM STRUCTURE	Clash	-140.9 mm	12/102005
--------------------------------------	--	-------	-----------	-----------



Clash value: ~ 140.9 mm

SIDE A-C

Sector 15



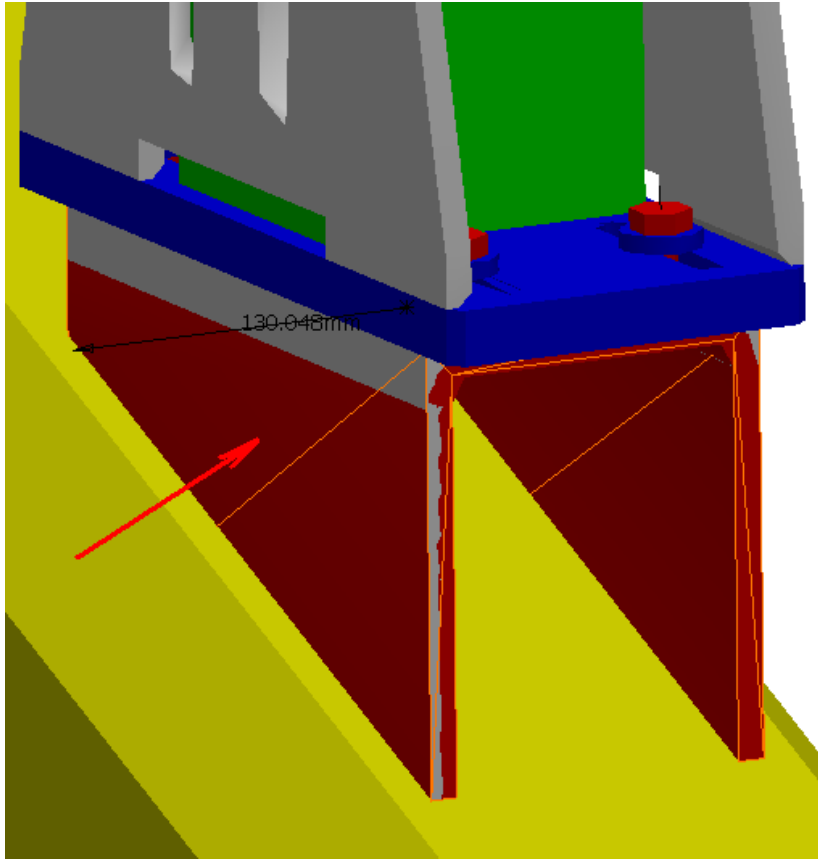
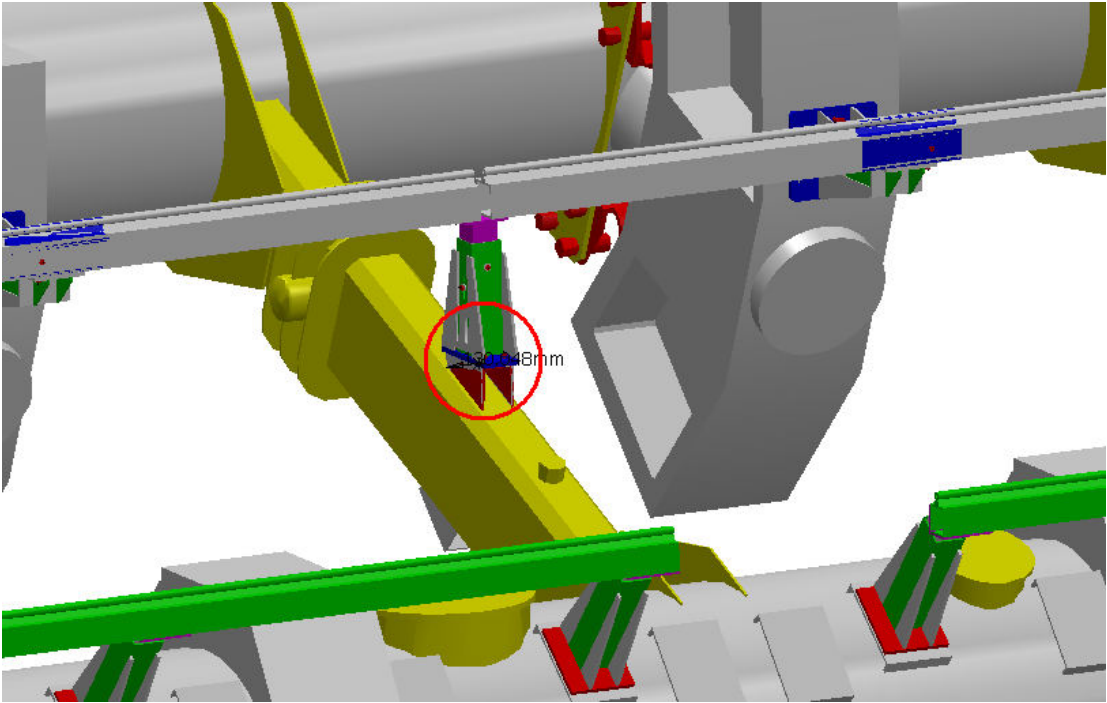
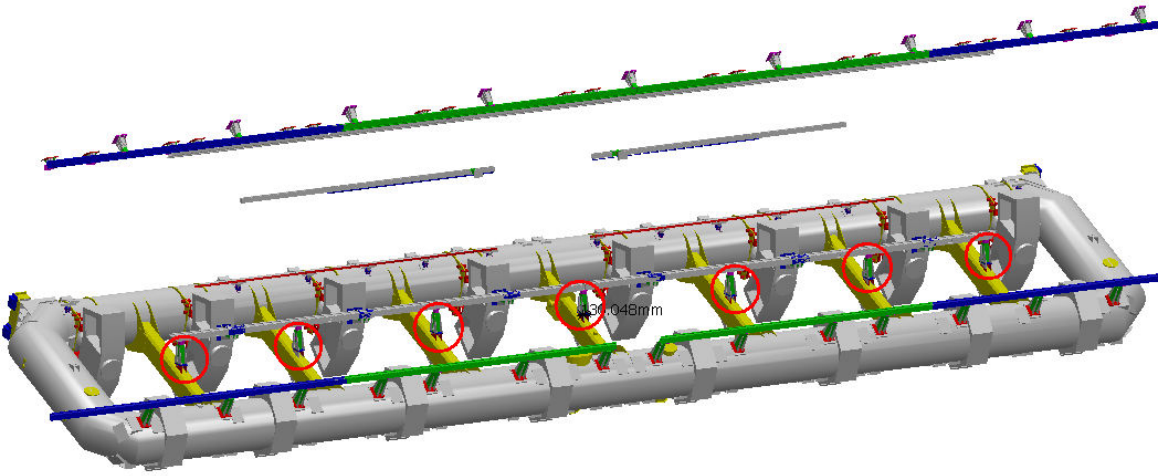
AT612360MQ - MUON SUPPORT,  
SECTOR 15

NTB\_0001 BT16 - TB STANDARD COIL – SECTOR 16

Clash

-130 mm

12/102005



Clash value: ~ 130 mm

SIDE A-C

Sector 15

The indicated detail belongs to both models

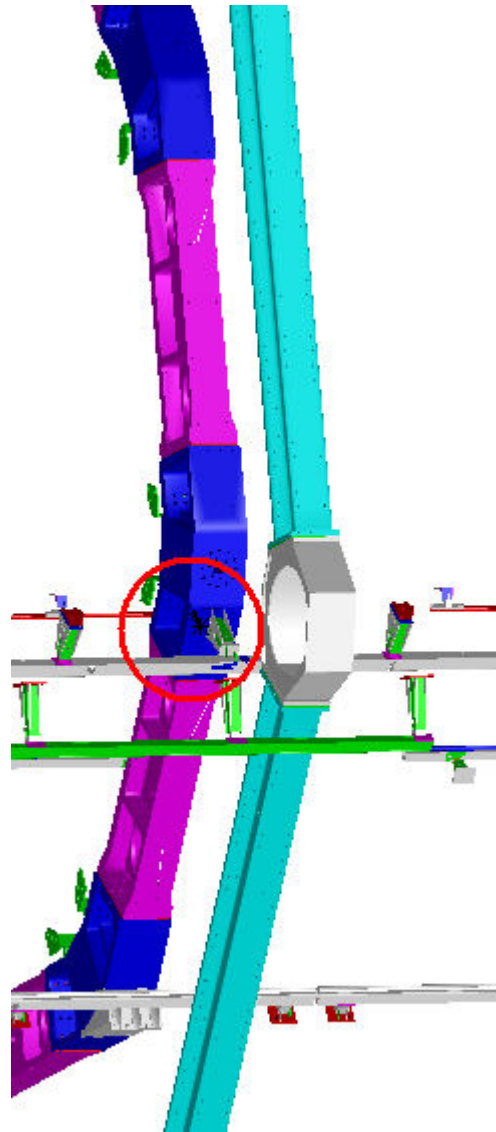
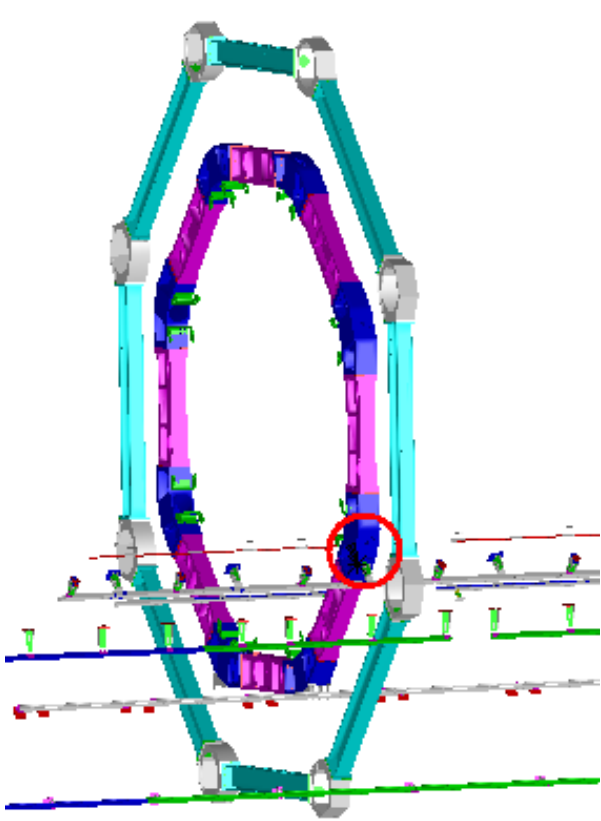
AT612360MQ - MUON SUPPORT,  
SECTOR 15

AT812126MQ - WARM STRUCTURE

Clash

-27.4 mm

12/102005

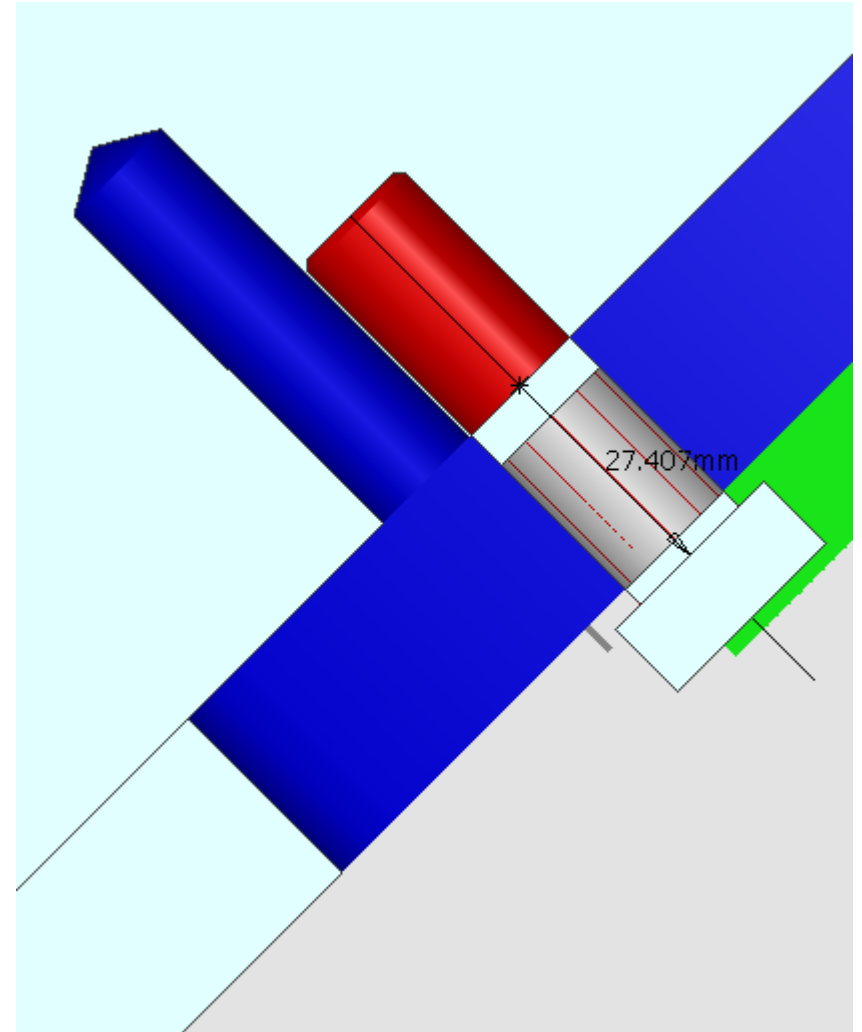
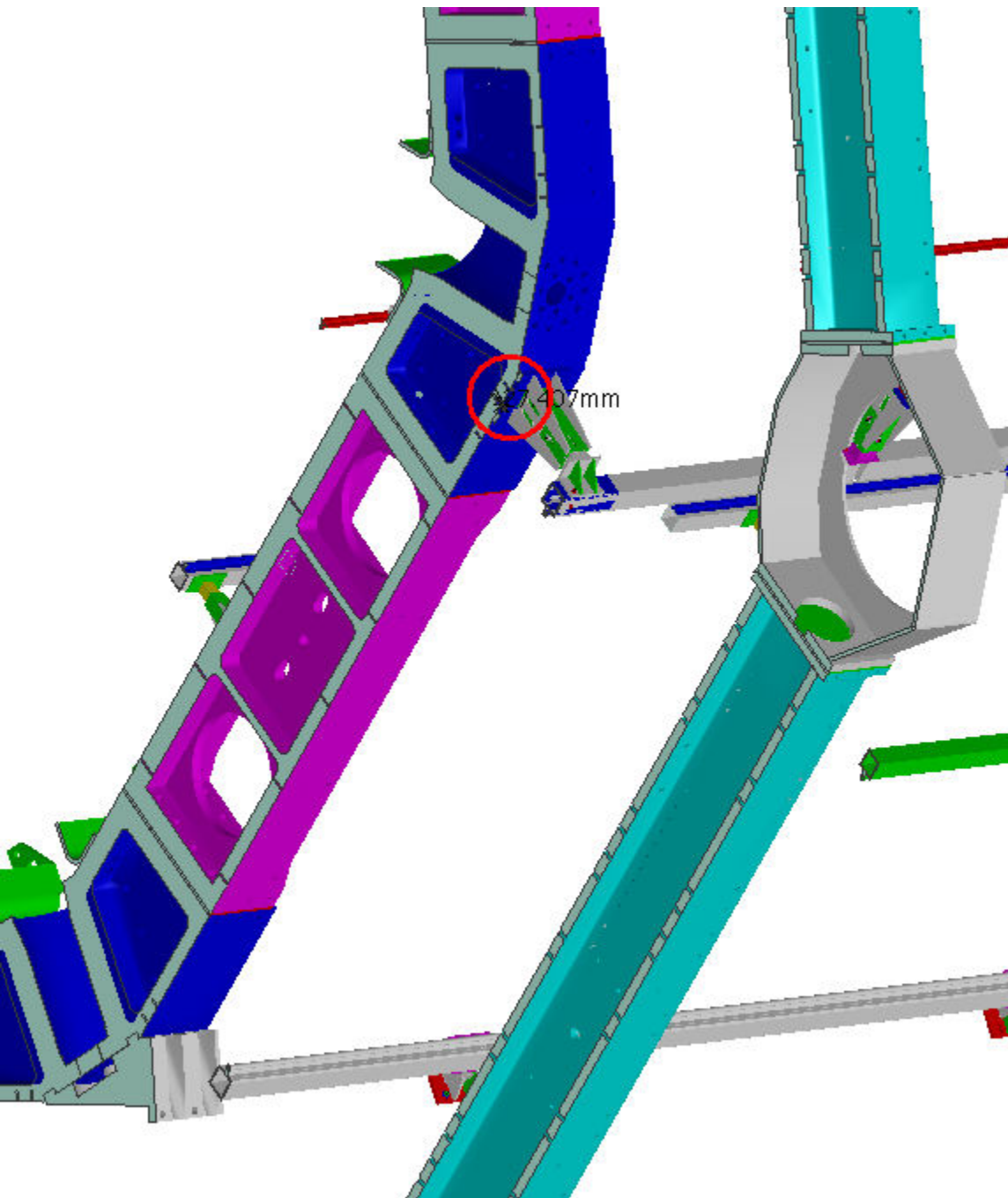


Clash value: ~ 27.4 mm

SIDE A

Sector 15

# Clash View:



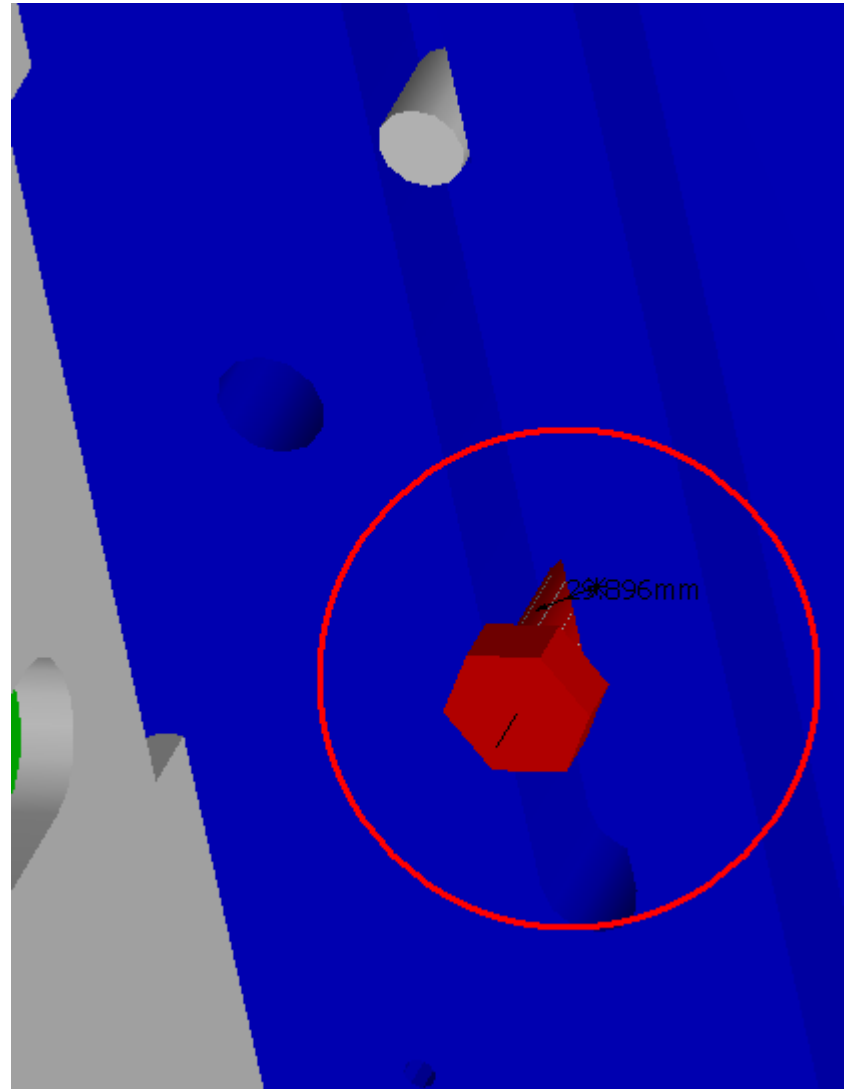
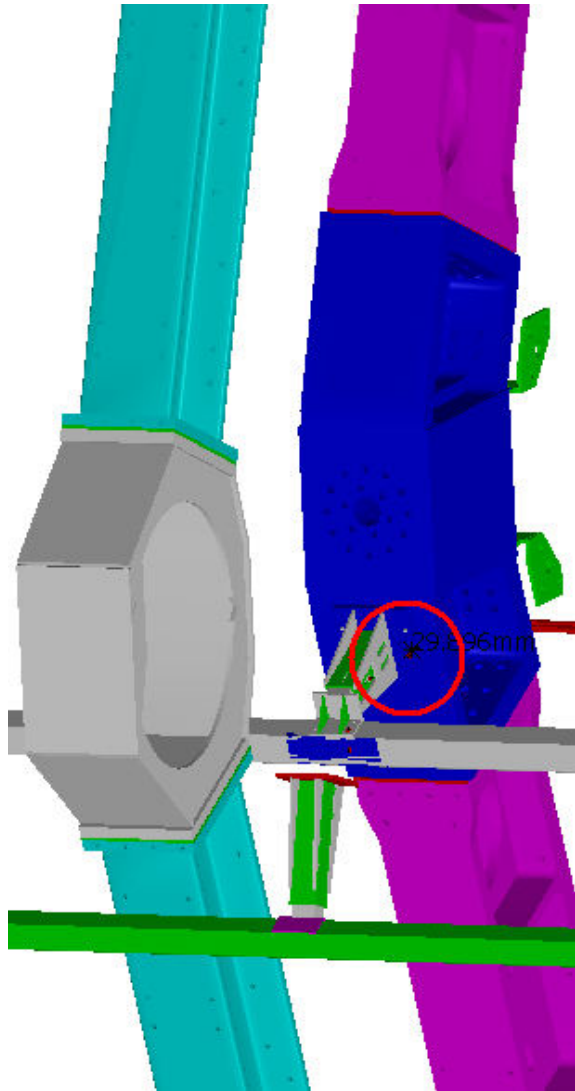
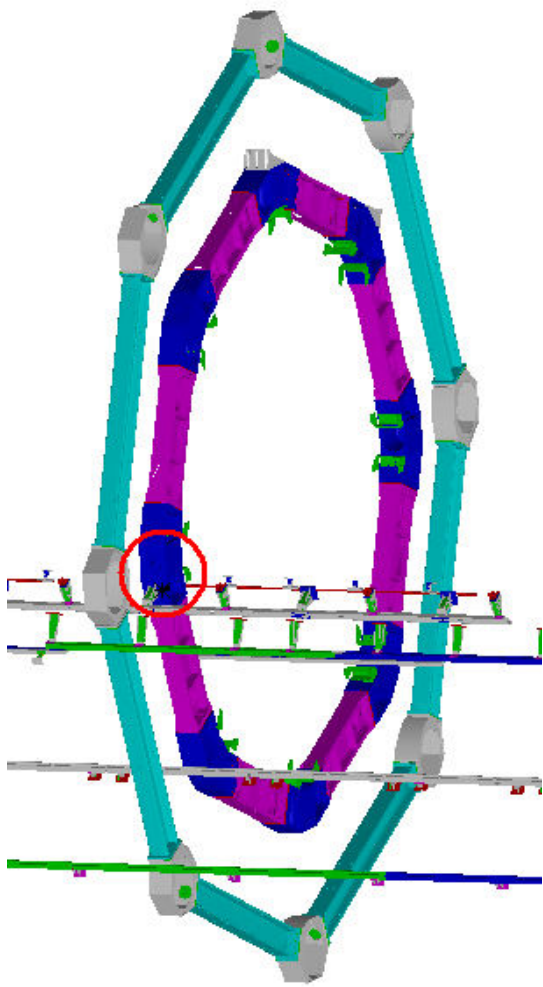
AT612360MQ - MUON SUPPORT,  
SECTOR 15

AT812126MQ-M - WARM STRUCTURE

Clash

-29.9 mm

12/102005

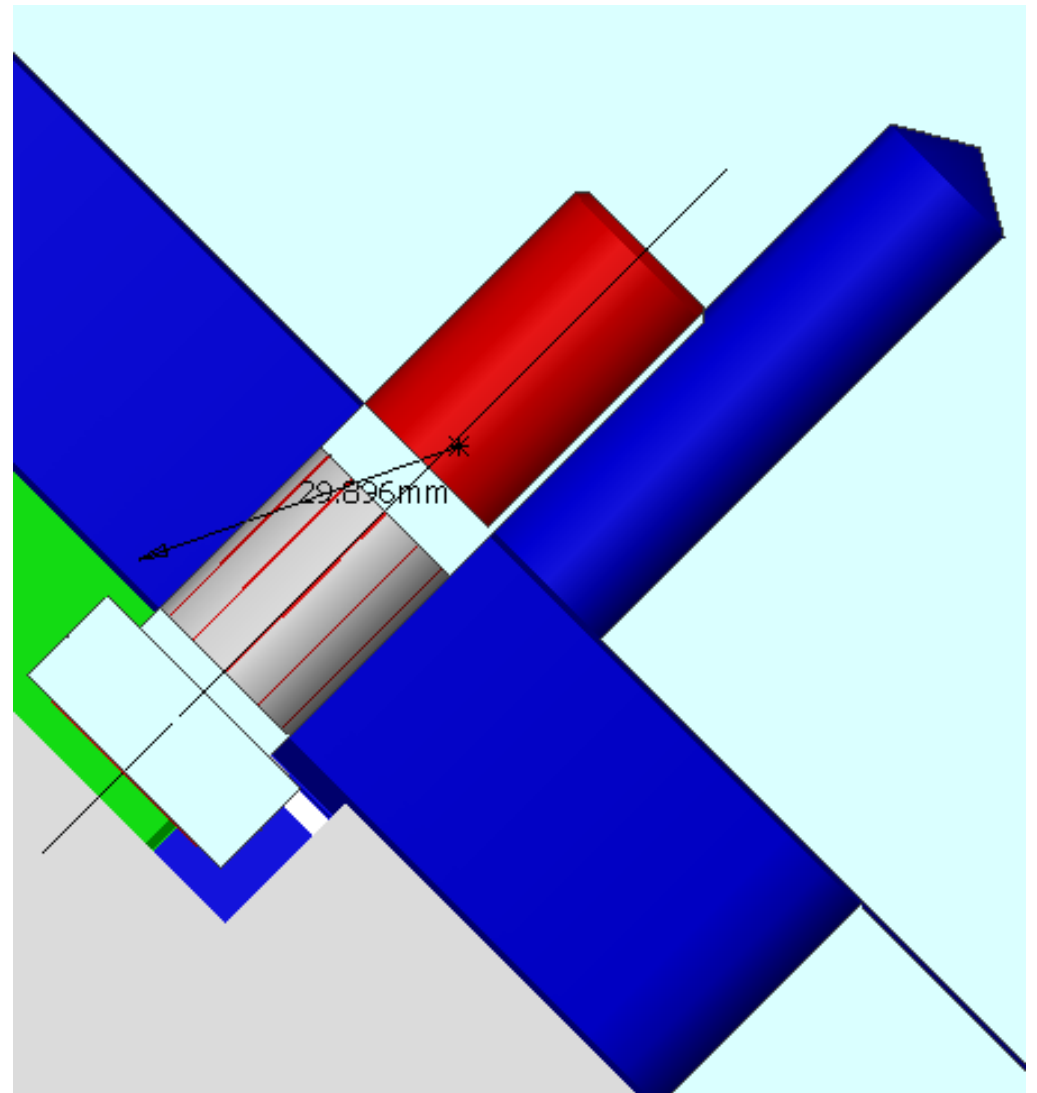
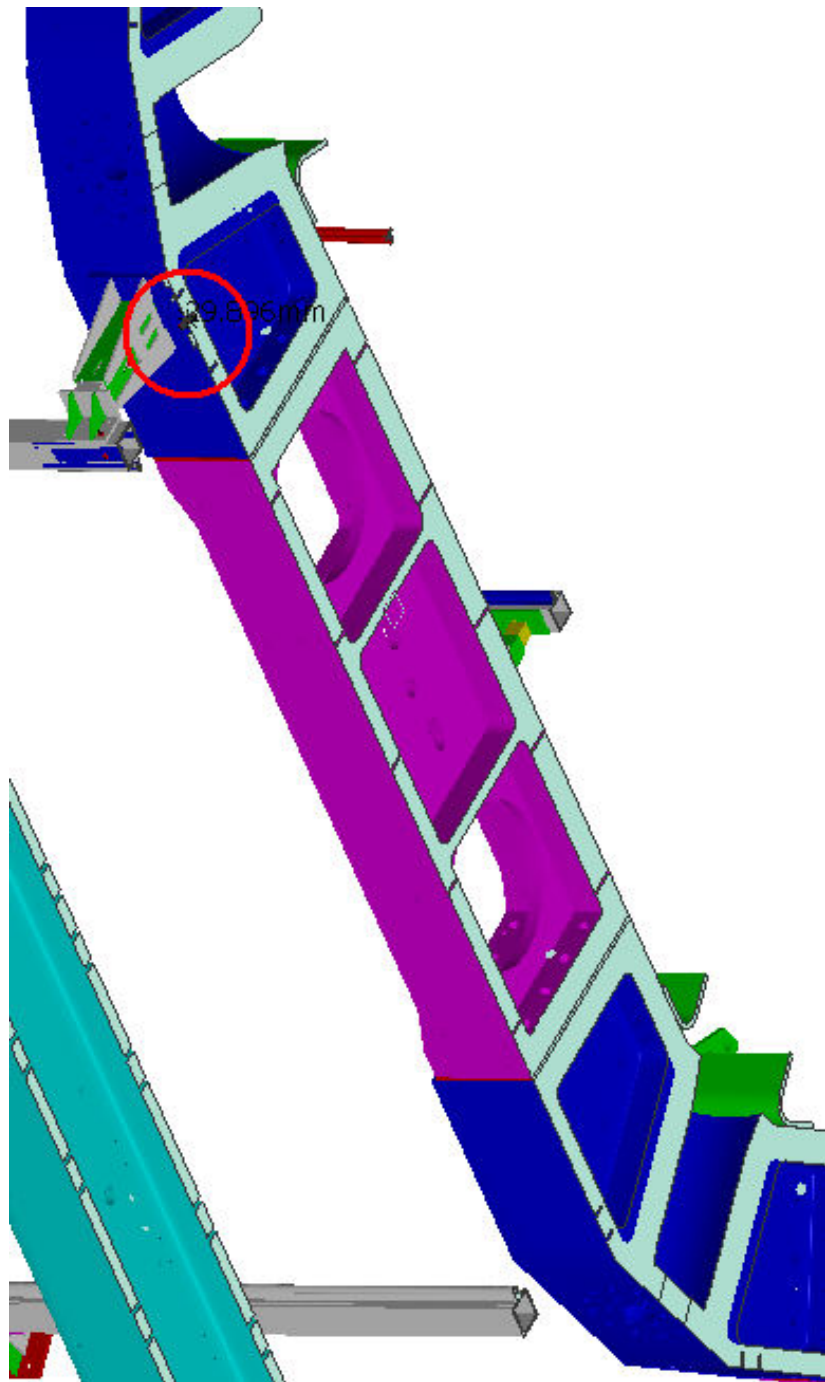


Clash value: ~ 29.9 mm

SIDE C

Sector 15

# Clash View:



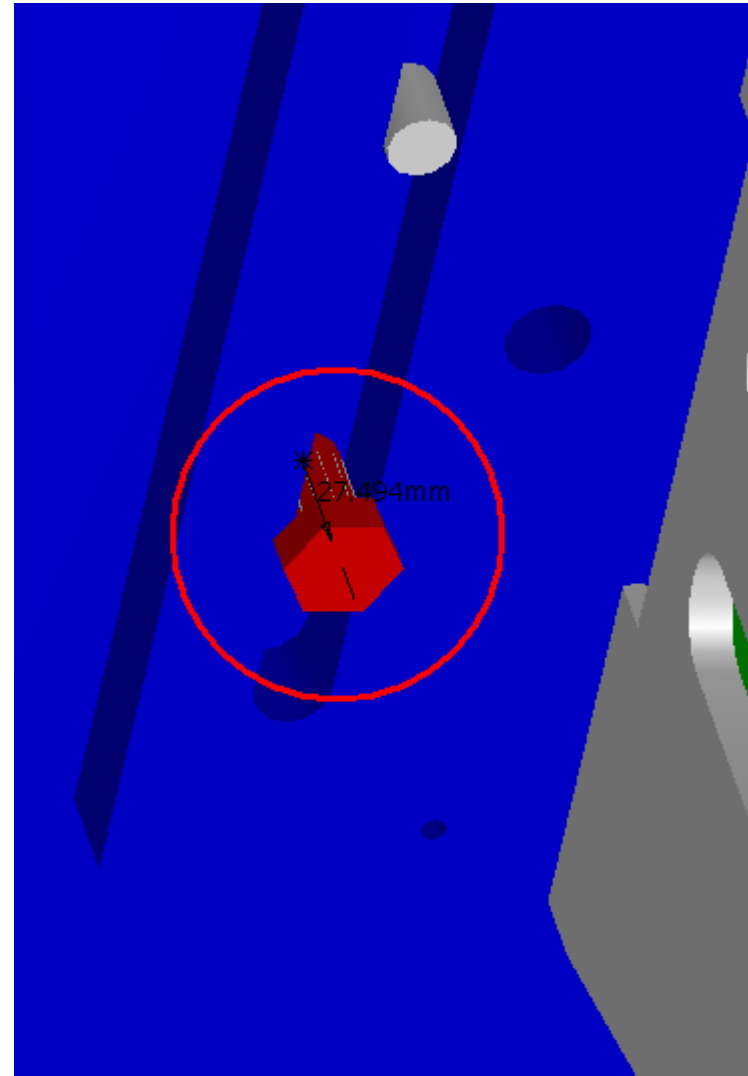
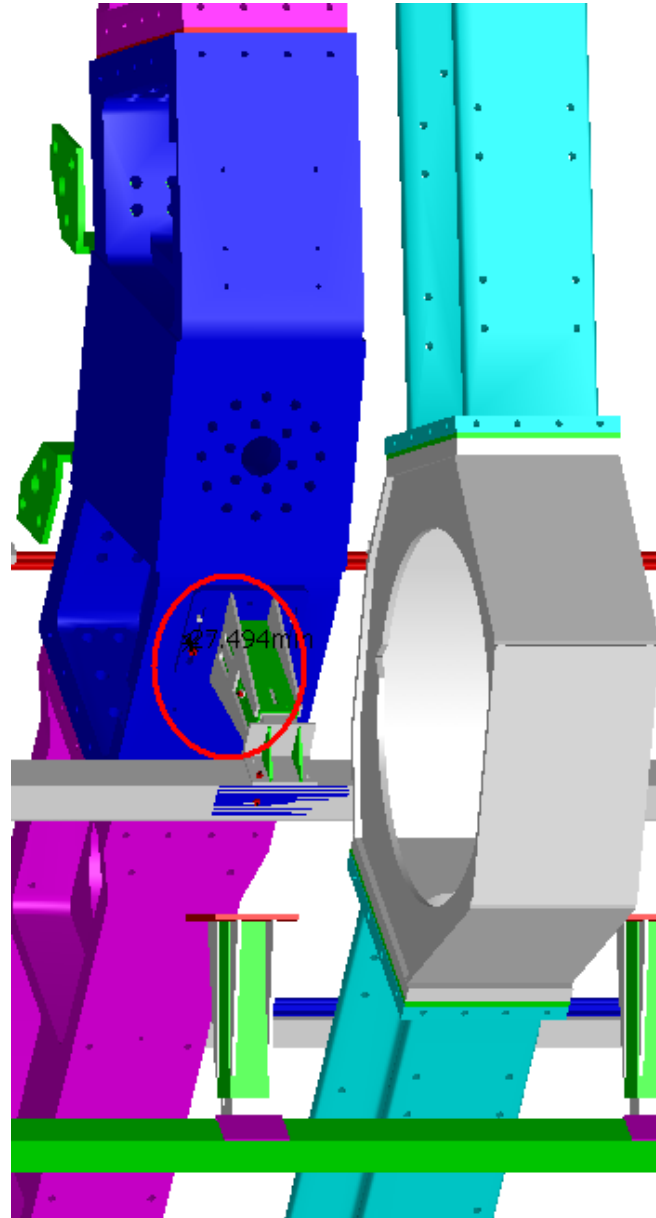
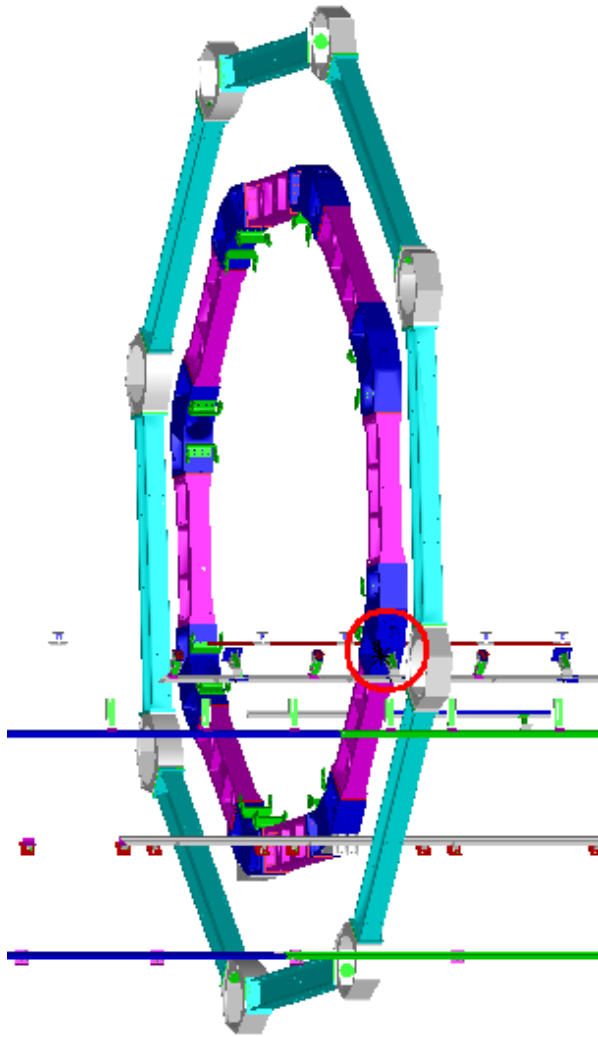
AT612360MQ - MUON SUPPORT,  
SECTOR 15

AT812127MQ - WARM STRUCTURE

Clash

-27.5 mm

12/102005



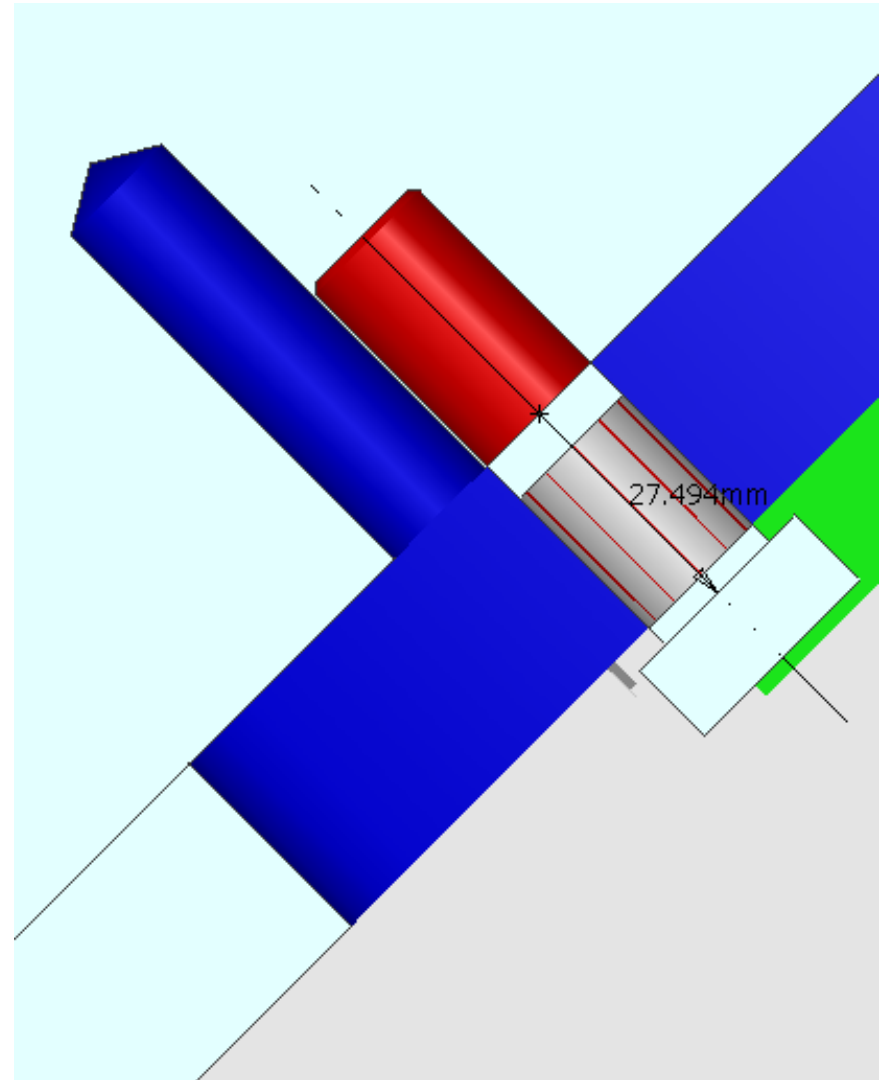
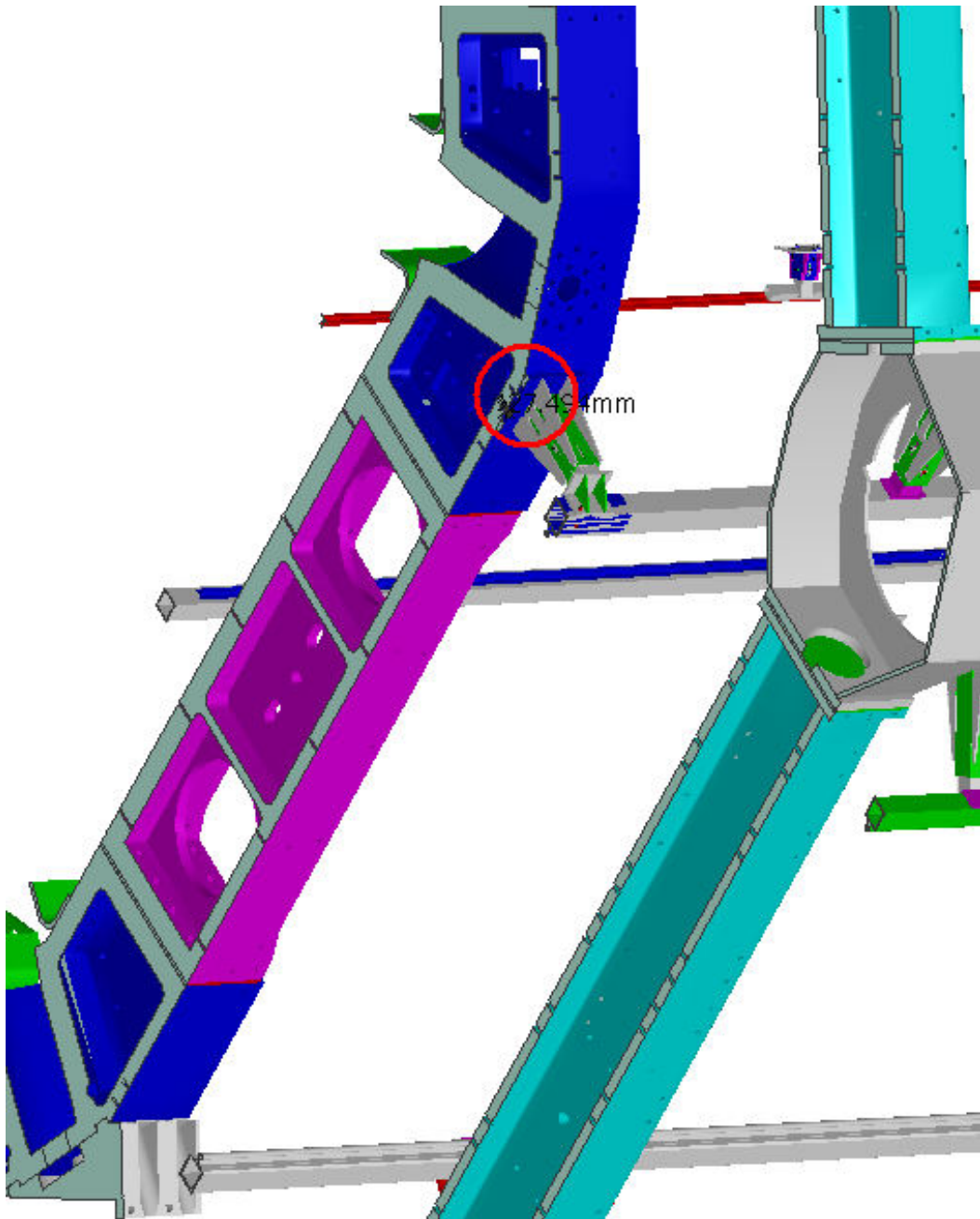
Clash value: ~ 27.5 mm

SIDE A

Sector 15

RELEVANT

# Clash View:



AT612360MQ - MUON SUPPORT,  
SECTOR 15

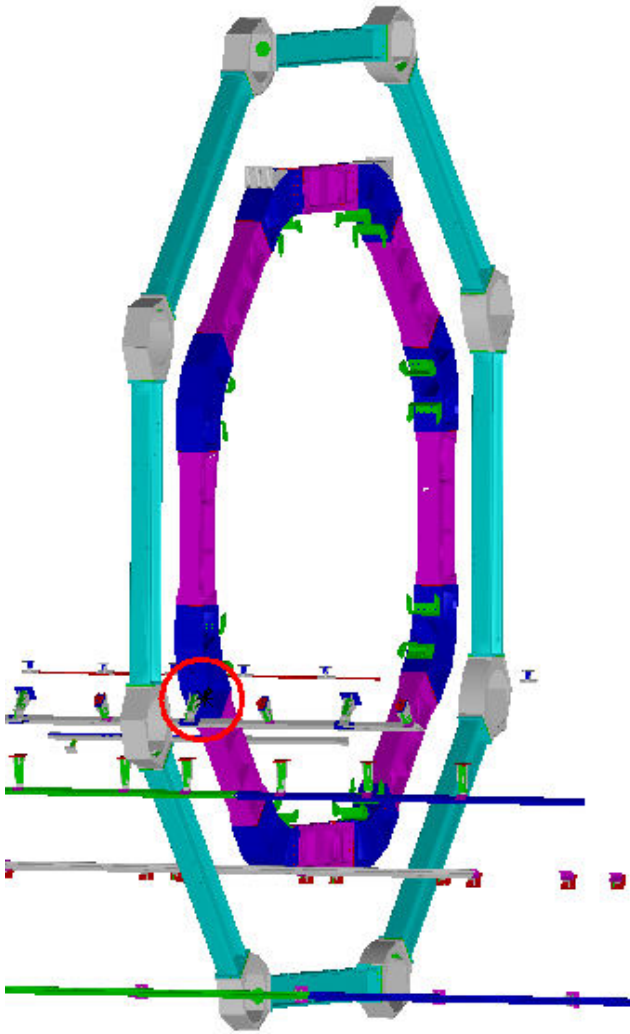
AT812127MQ-M - WARM STRUCTURE

Clash

-29.7 mm

12/102005

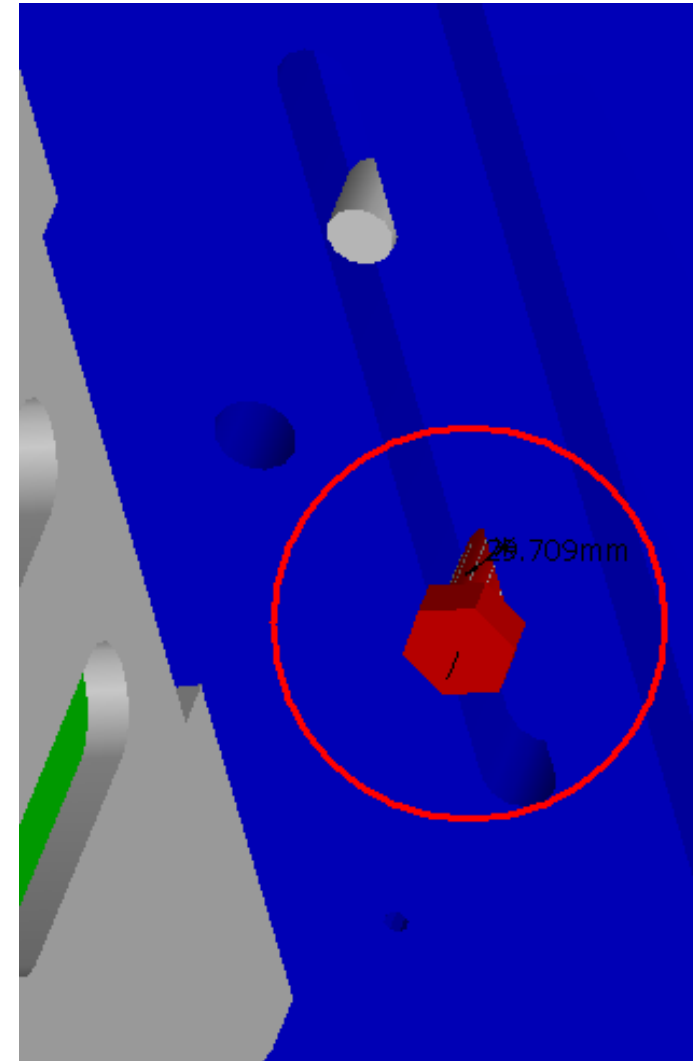
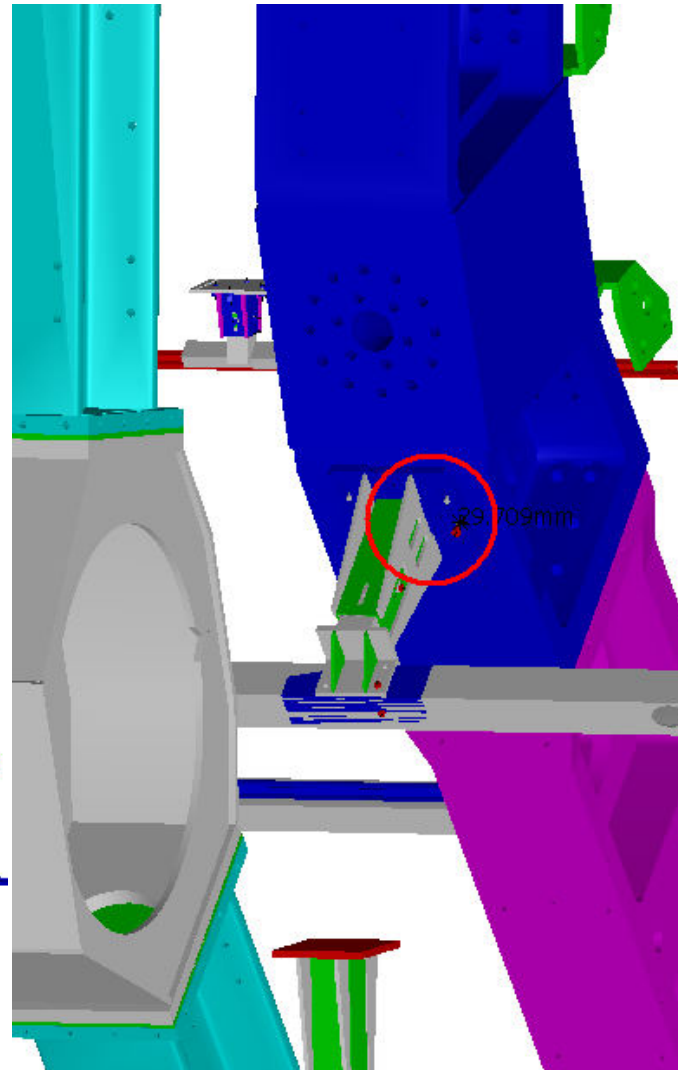
RELEVANT



Clash value: ~ 29.7 mm

SIDE C

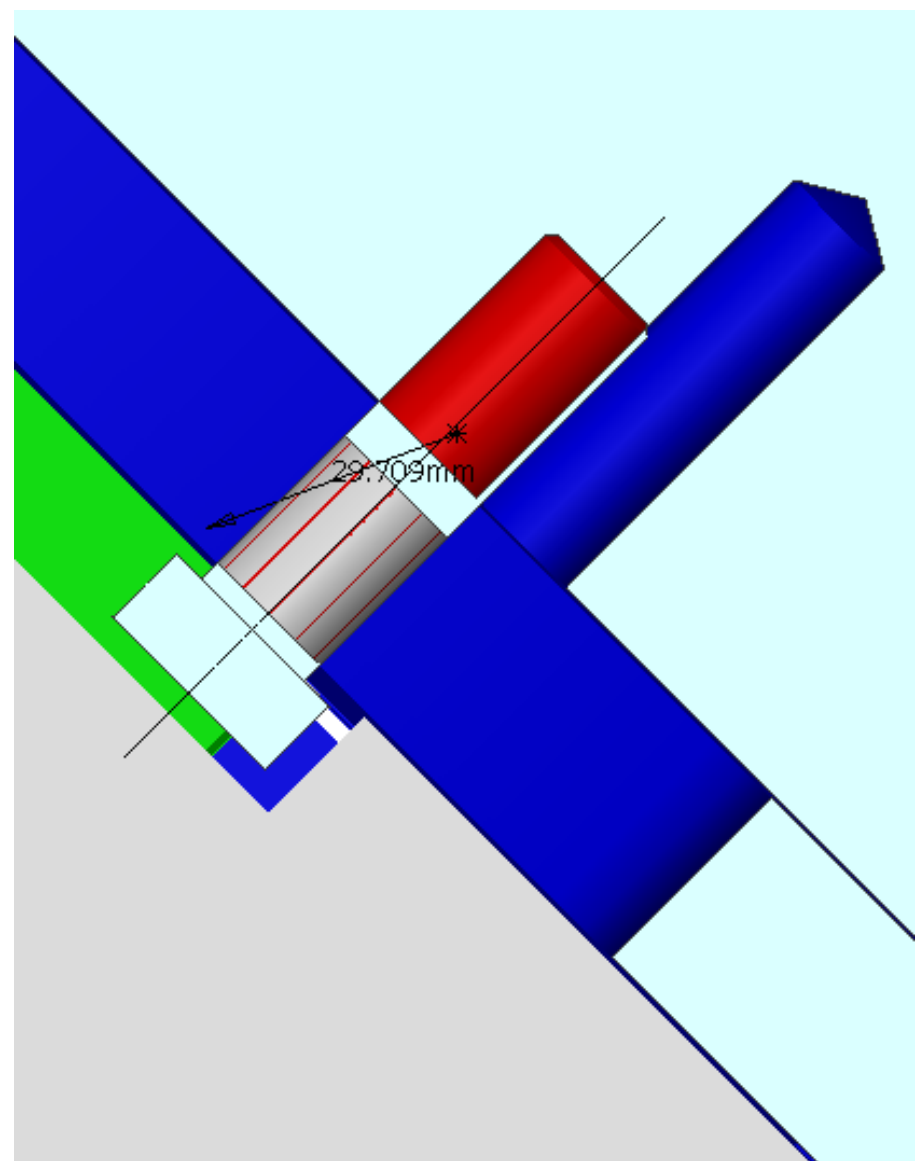
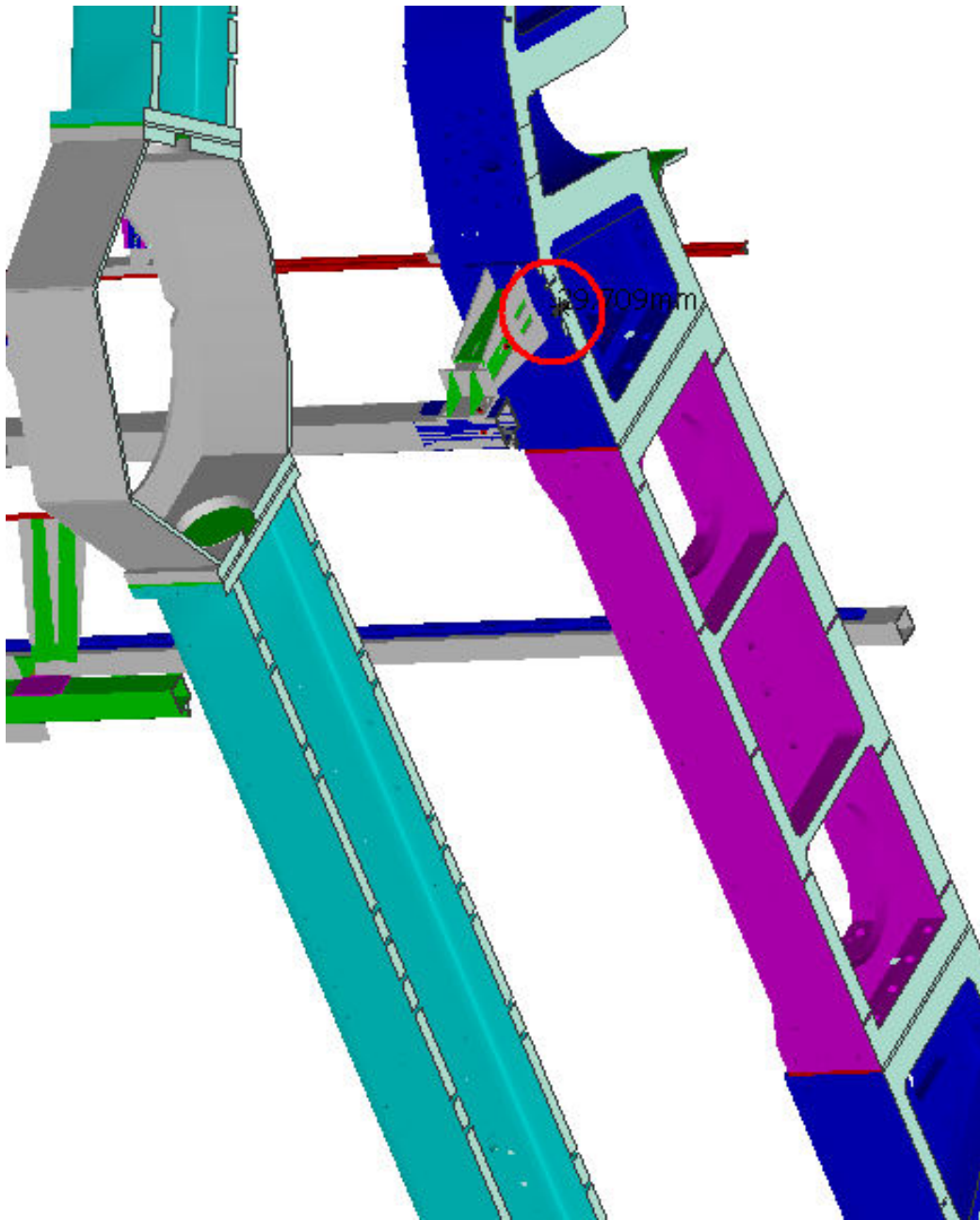
Sector 15





RELEVANT

# Clash View:



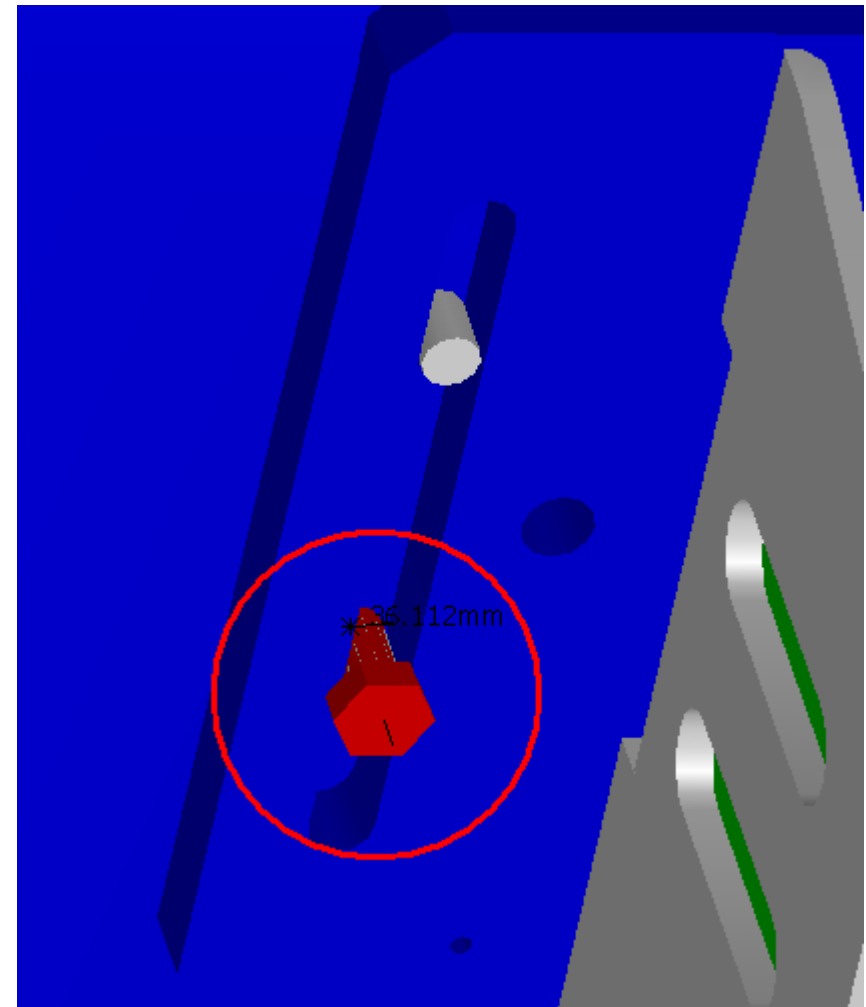
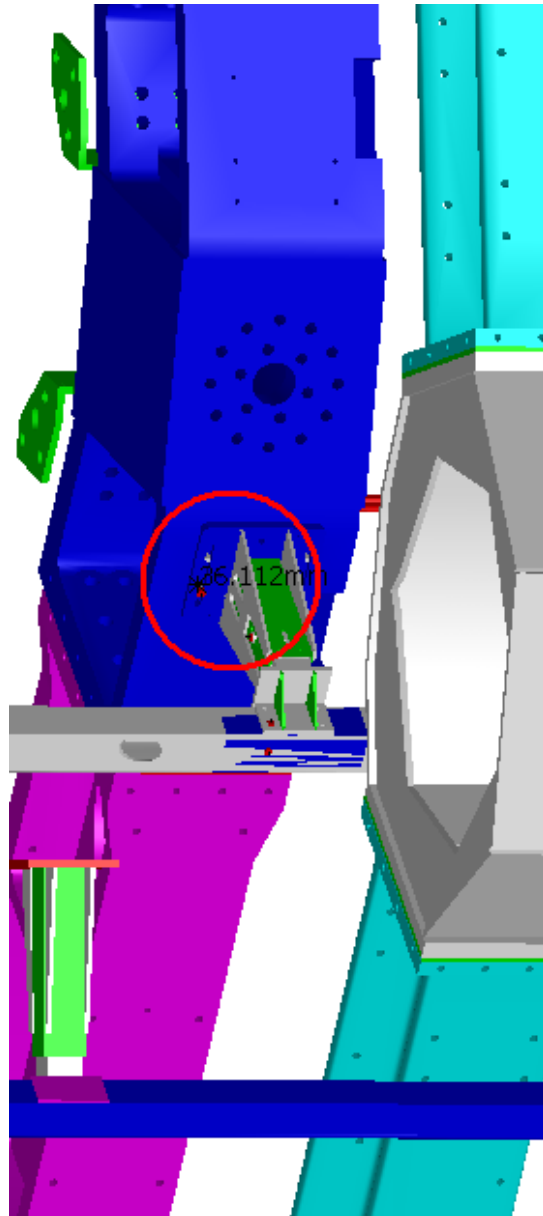
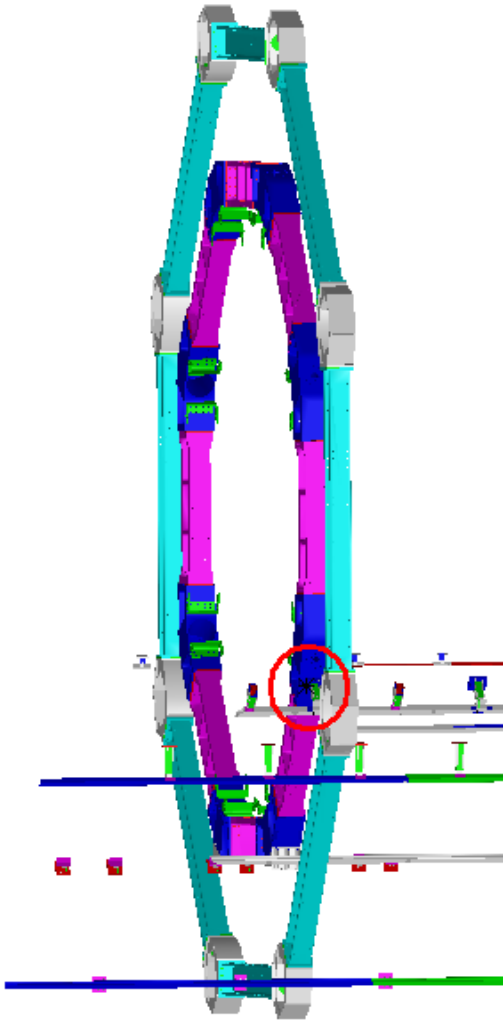
AT612360MQ - MUON SUPPORT,  
SECTOR 15

AT812128MQ - WARM STRUCTURE

Clash

-36.1 mm

12/10/2005



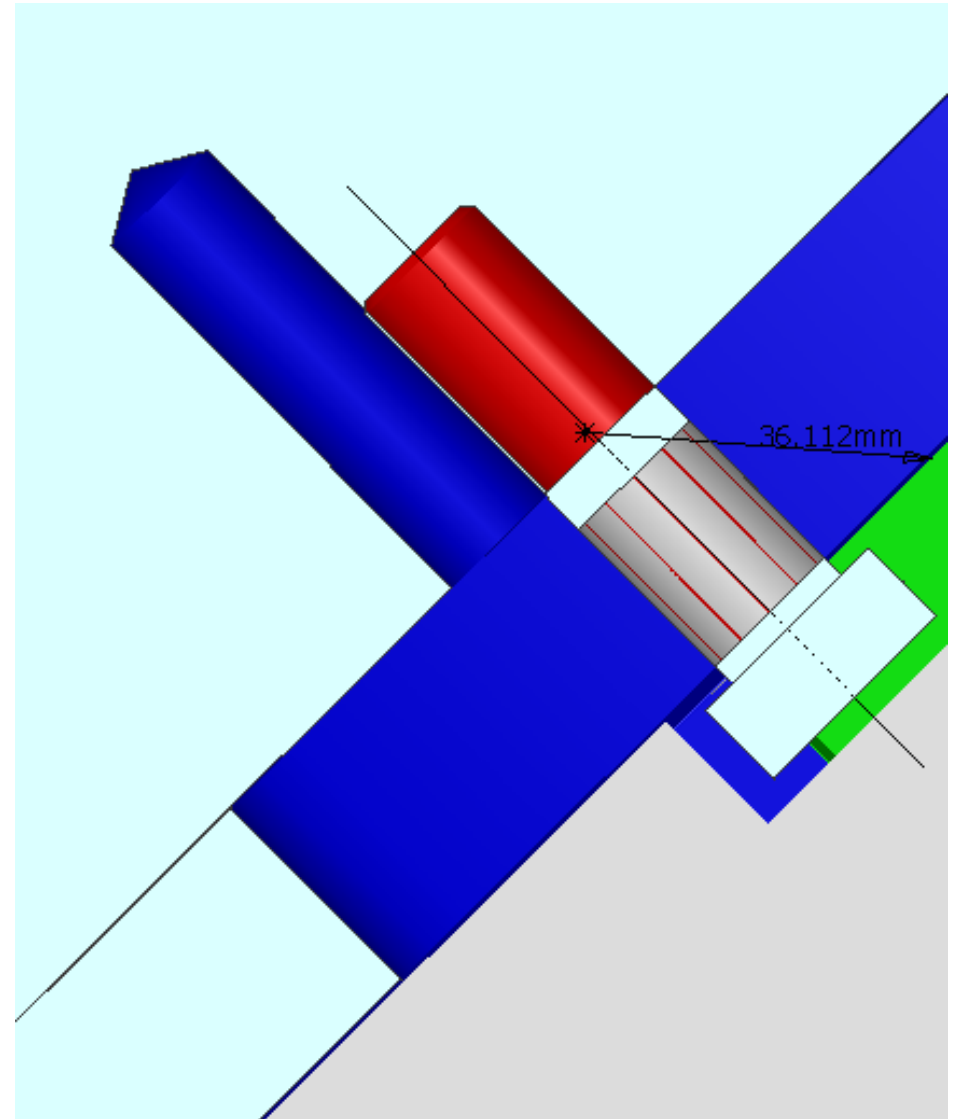
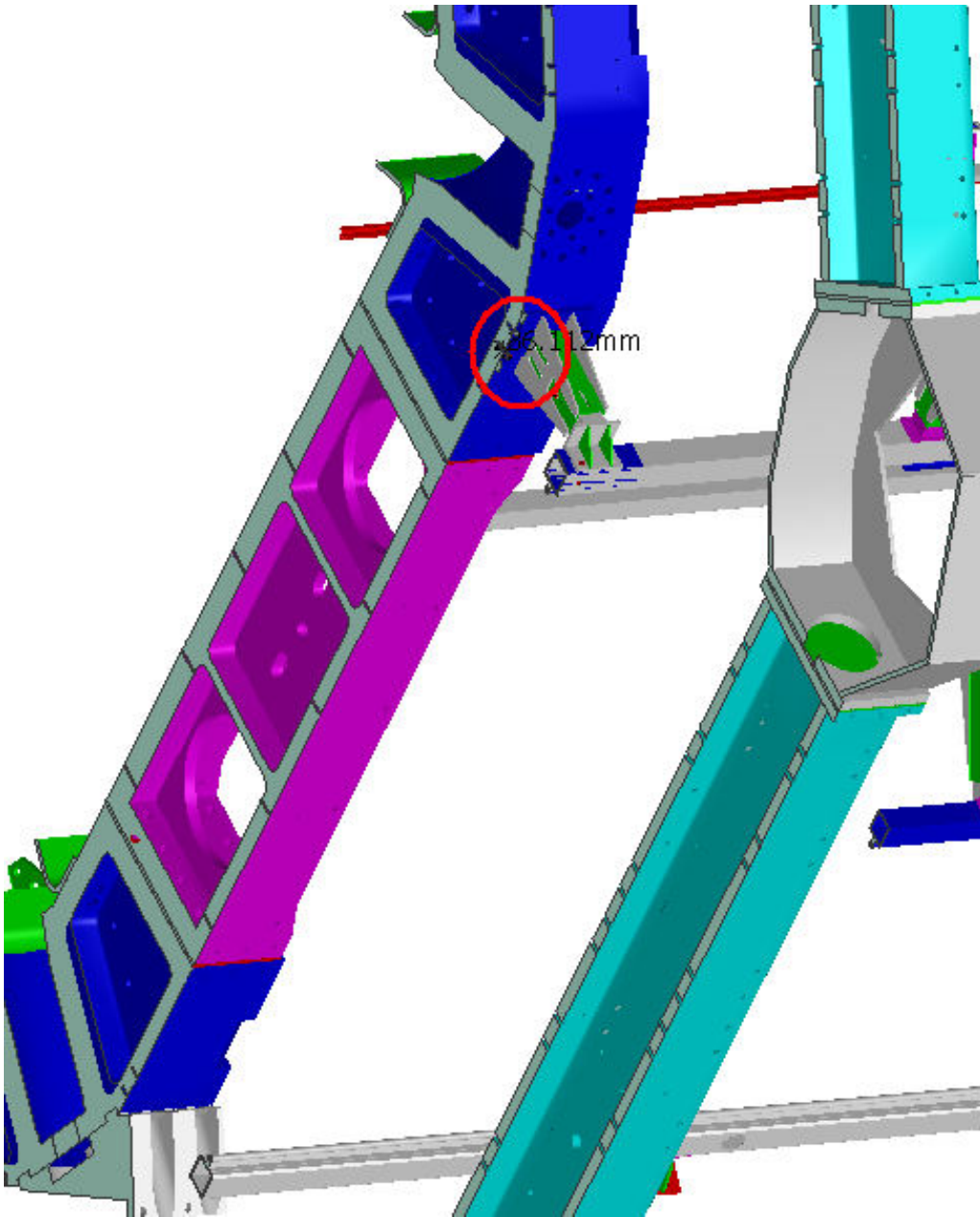
Clash value: ~ 36.1 mm

SIDE A

Sector 15

RELEVANT

# Clash View:



AT612360MQ - MUON SUPPORT,  
SECTOR 15

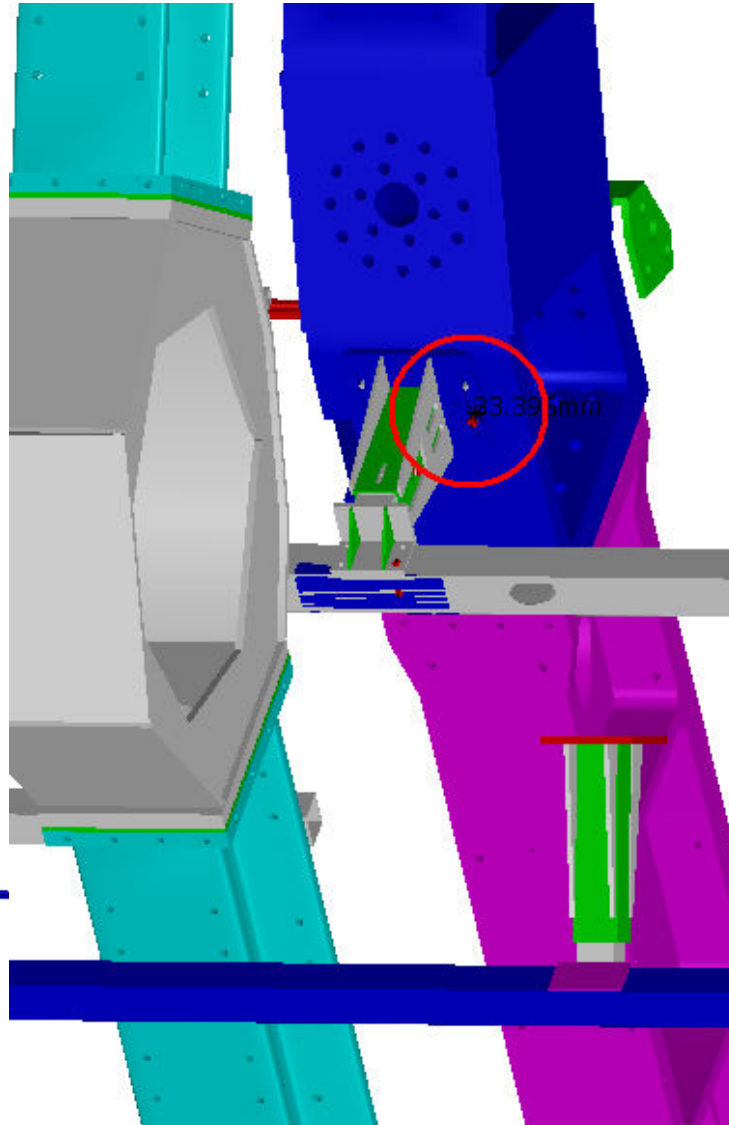
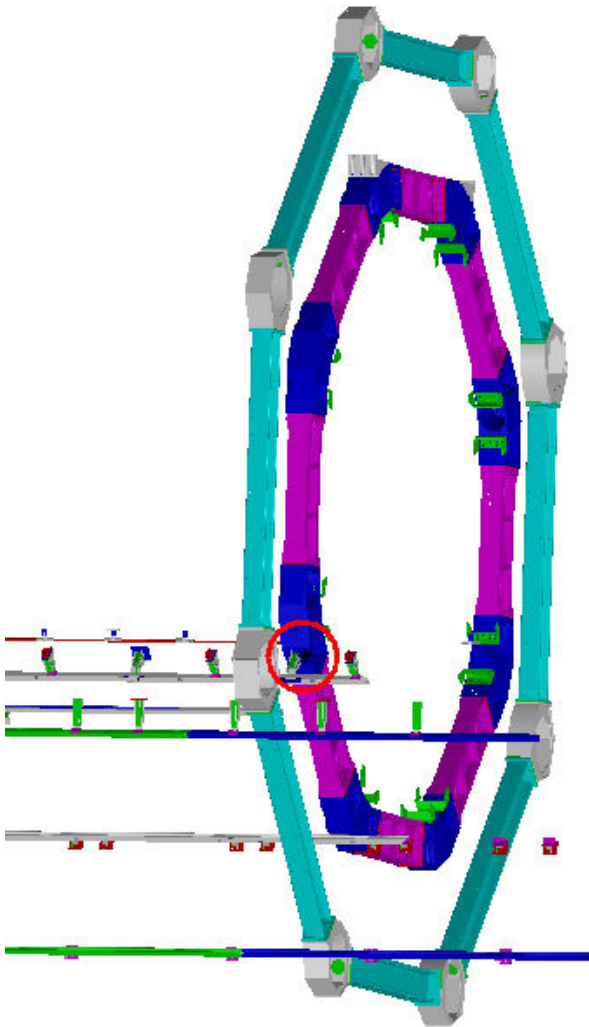
AT812128MQ-M - WARM STRUCTURE

Clash

-33.4 mm

12/102005

RELEVANT



Clash value: ~ 33.4 mm

SIDE C

Sector 15

RELEVANT

# Clash View:

