

Clearance Publish

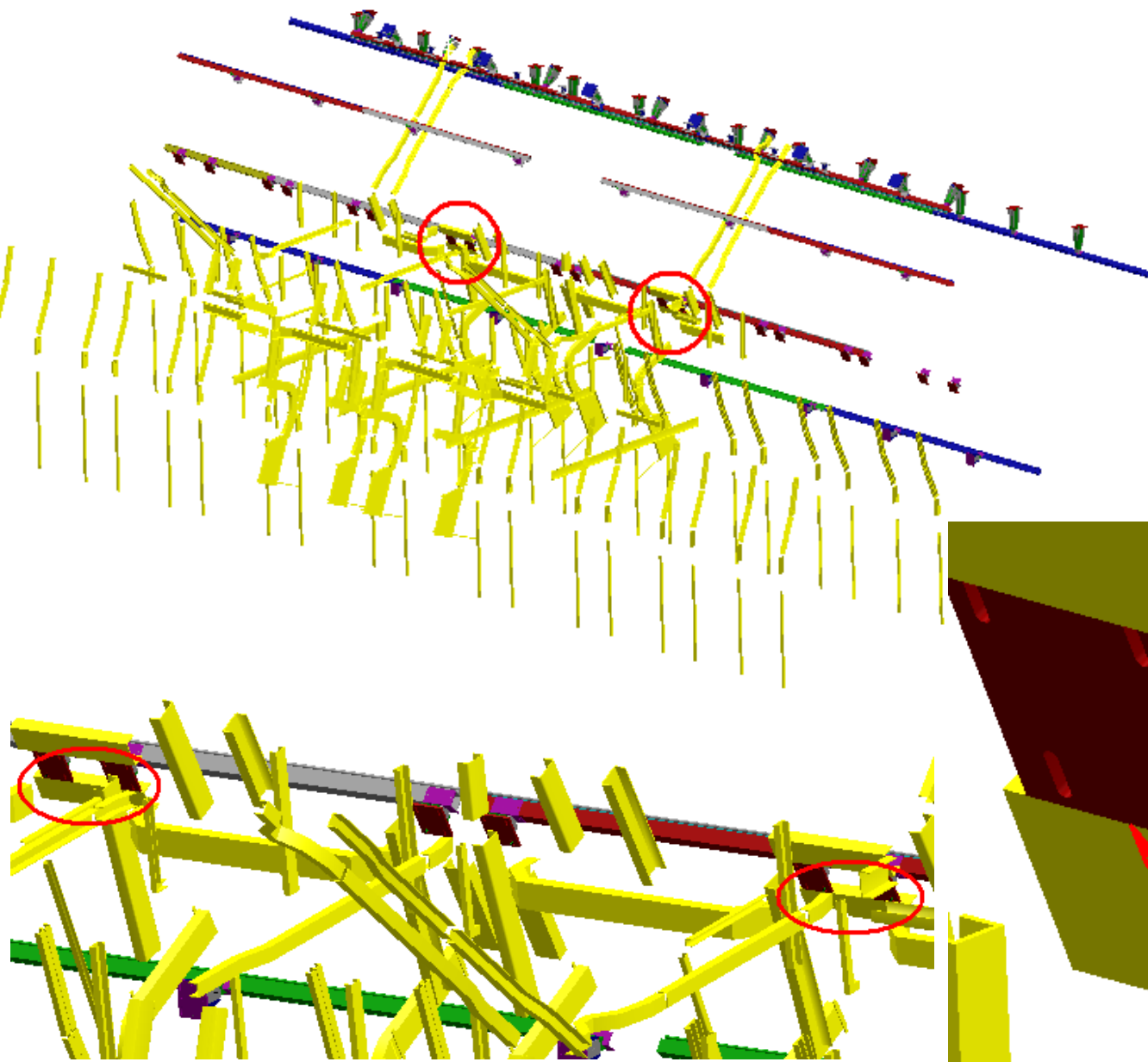
Clearance = 50mm



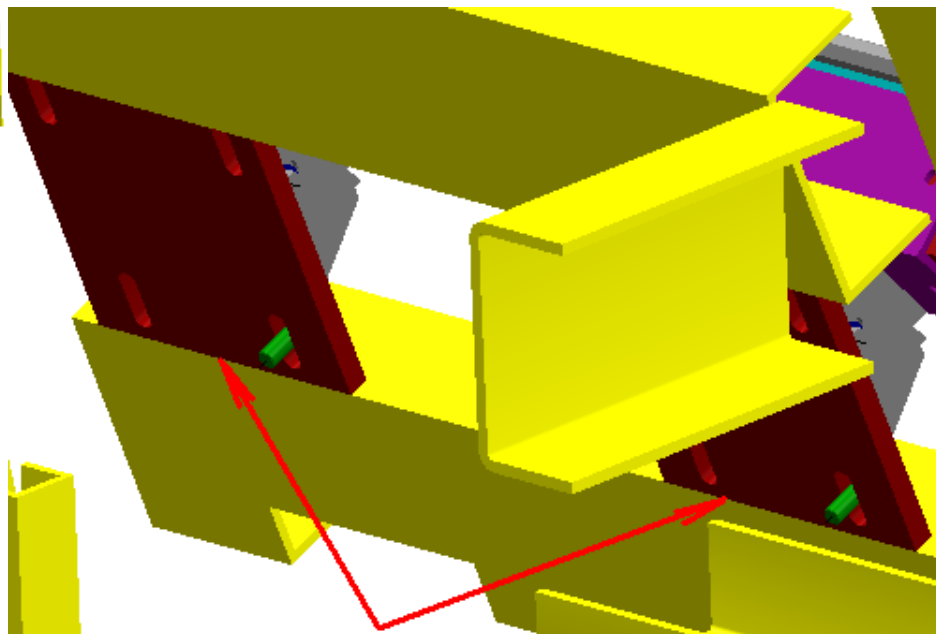
Clearance Computation Specification

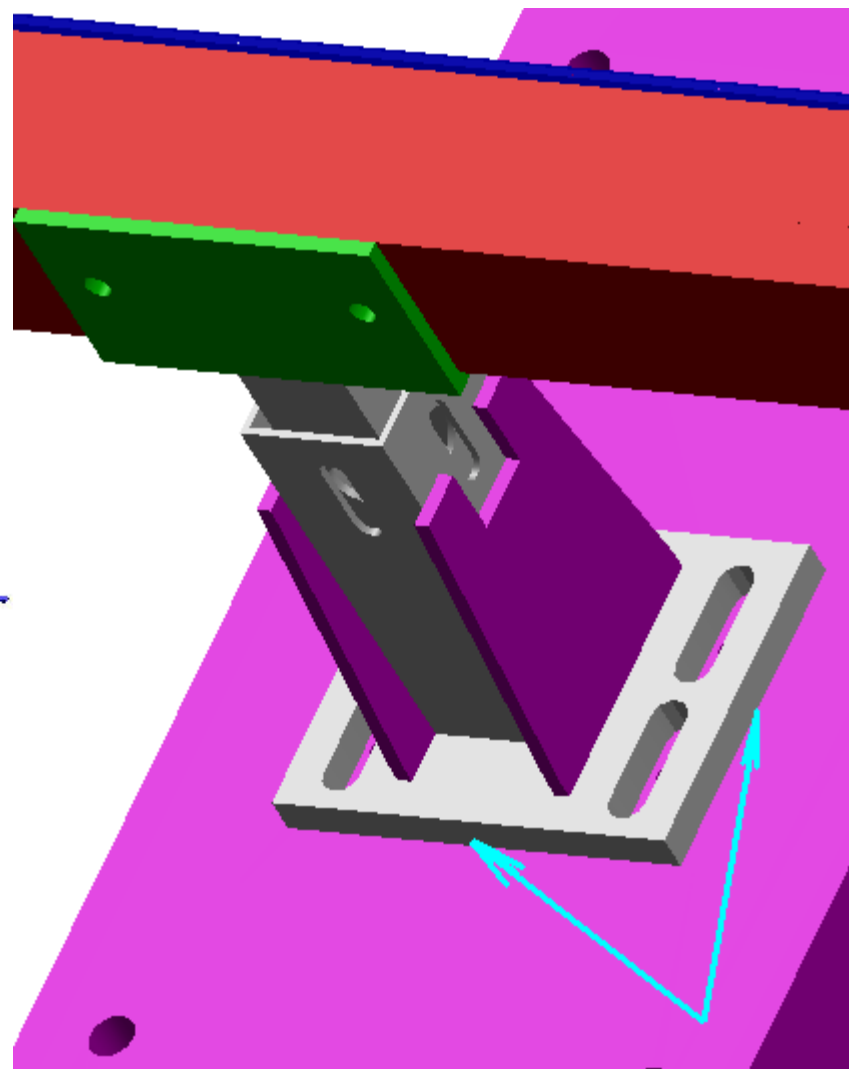
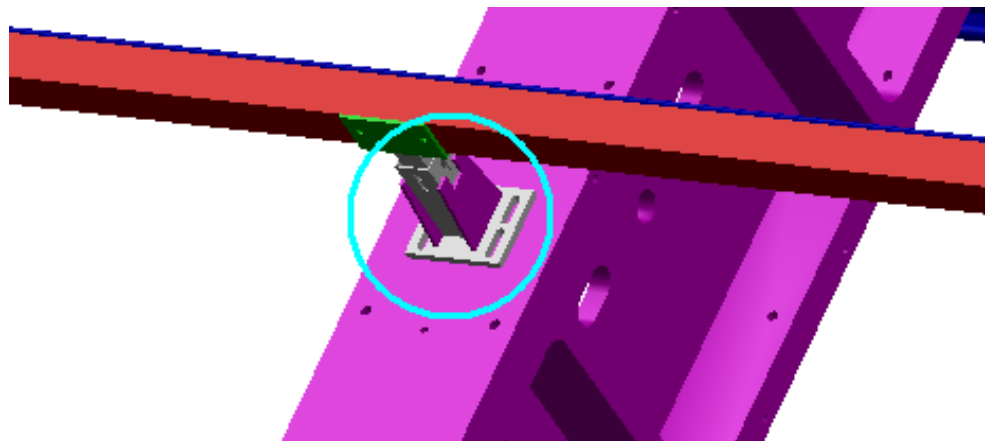
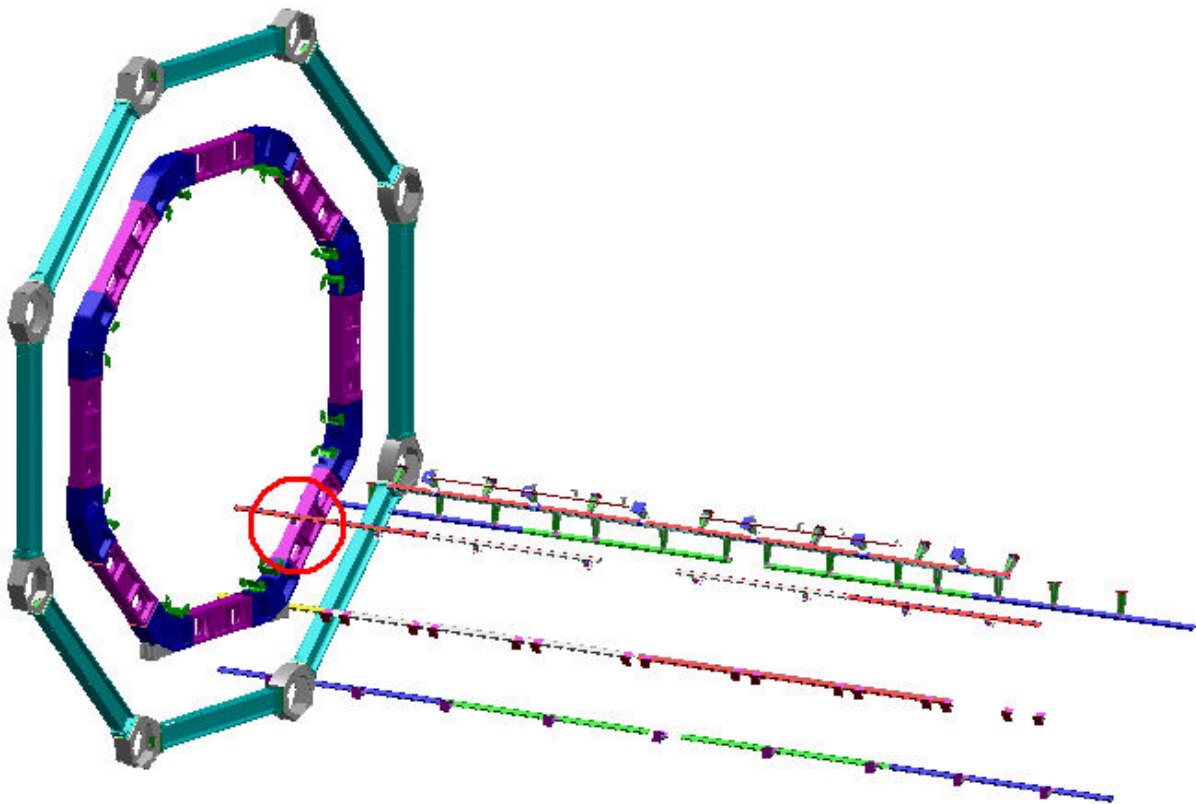
Clearance Computation Specification			
Products Selected		Value	Status
AT612359MQ – MUON SUPPORT, SECT.11	NSR__0025 - CABLE TRAYS IN FEET REGION - (SECTORS 12, 13, 14)	0 mm	Not inspected
	AT812129MQ - WARM STRUCTURE	0 mm	Not inspected
	AT812129MQ-M - WARM STRUCTURE	0 mm	Not inspected
	AT392351MQ-S11 - Aux. PLTF Vouss. Lev. Sector 11	4.8 mm	Not inspected
	NJ__0003 - JD SHIELDING (SIDE C) - WITH TGC MUON CHAMBERS	23.2 mm	Not inspected
	NSM__0016 - BT HEATER CABLE DISTRIBUTION - FOR FOOT REGION	41.3 mm	Not inspected

AT612359MQ – MUON SUPPORT, SECT.11	NSR__0025 - CABLE TRAYS IN FEET REGION - (SECTORS 12, 13, 14)	Contact	0 mm	Not inspected
---------------------------------------	--	---------	------	---------------



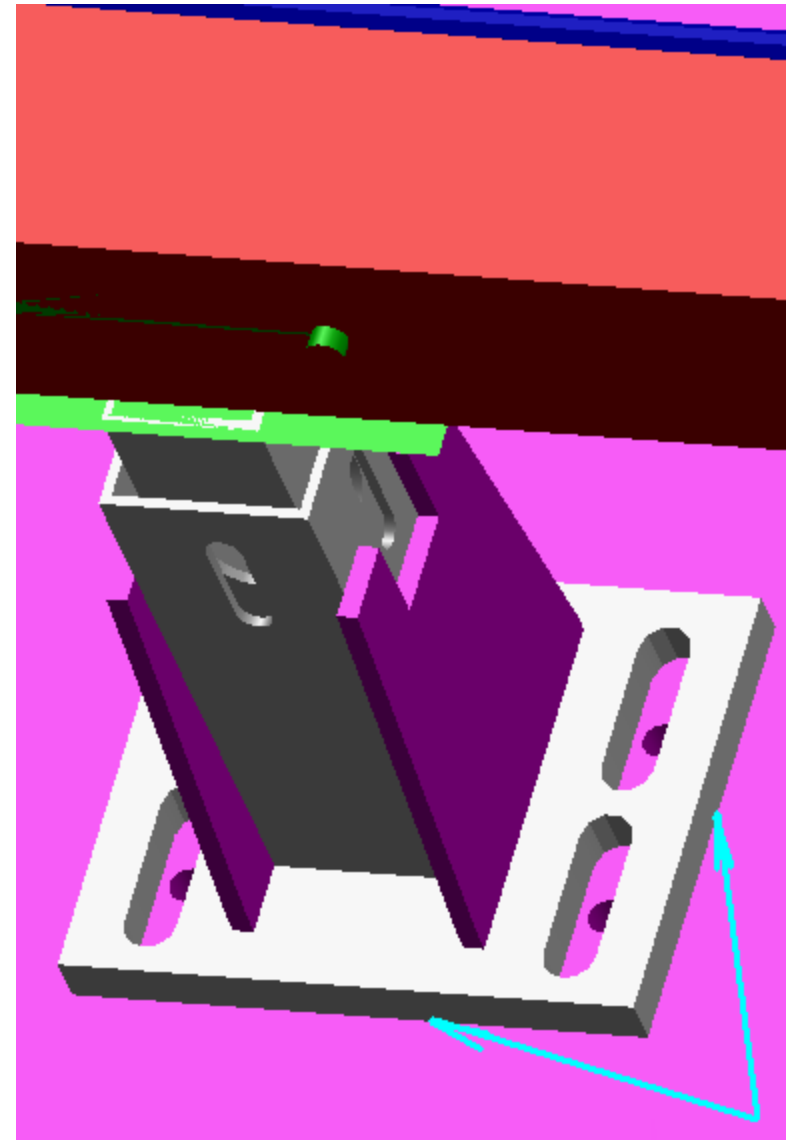
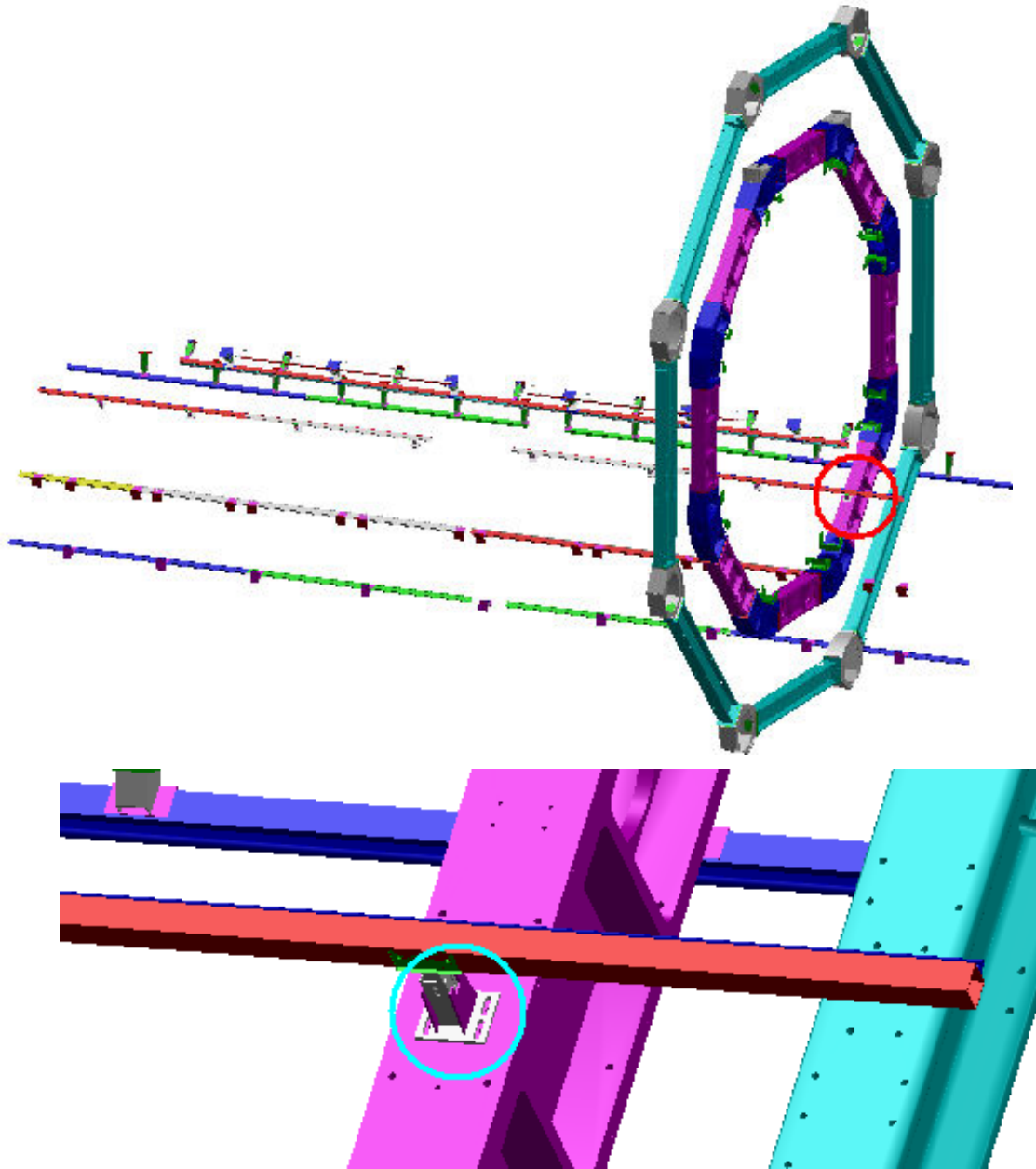
SIDE A-C
Sector 11





SIDE A

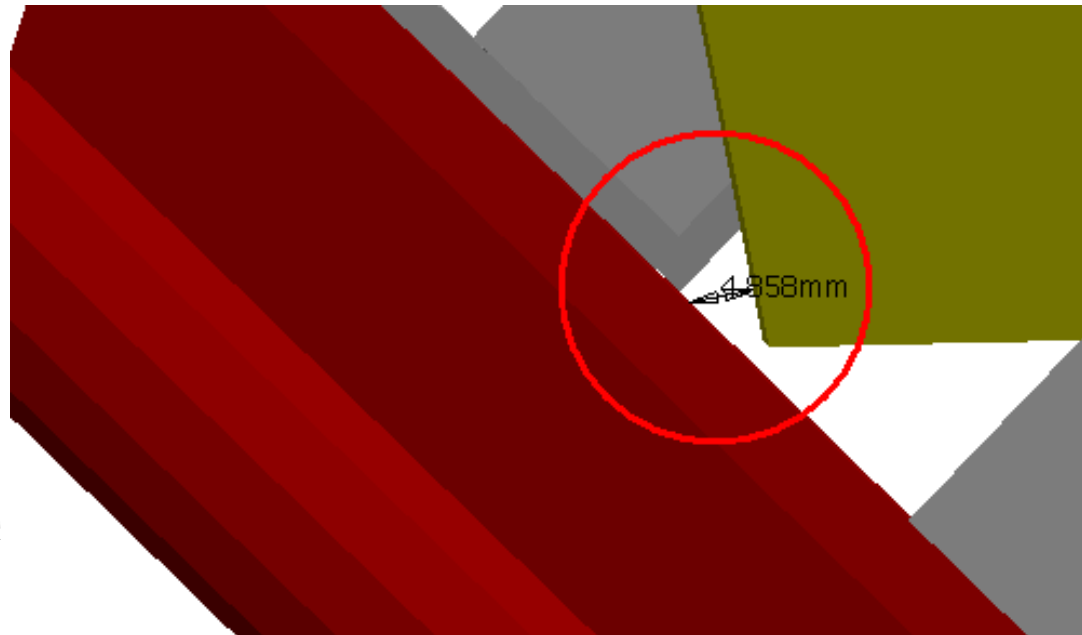
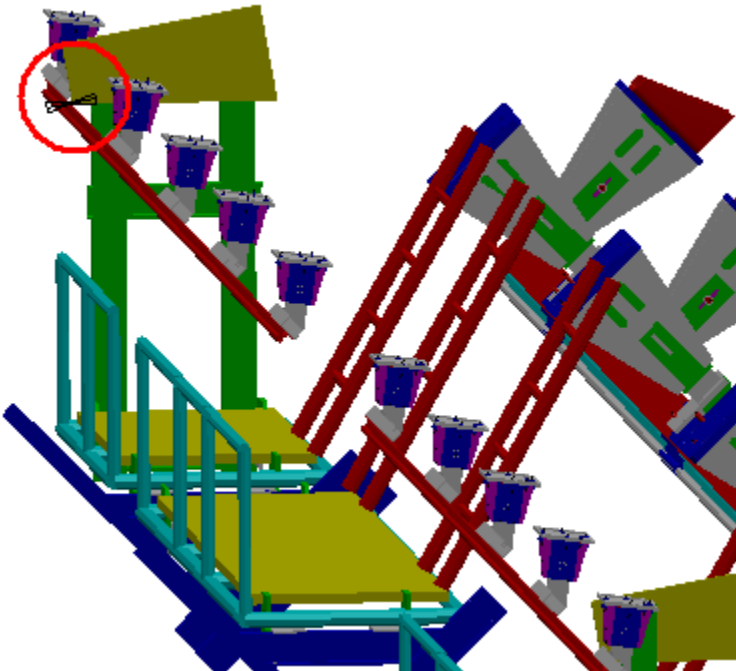
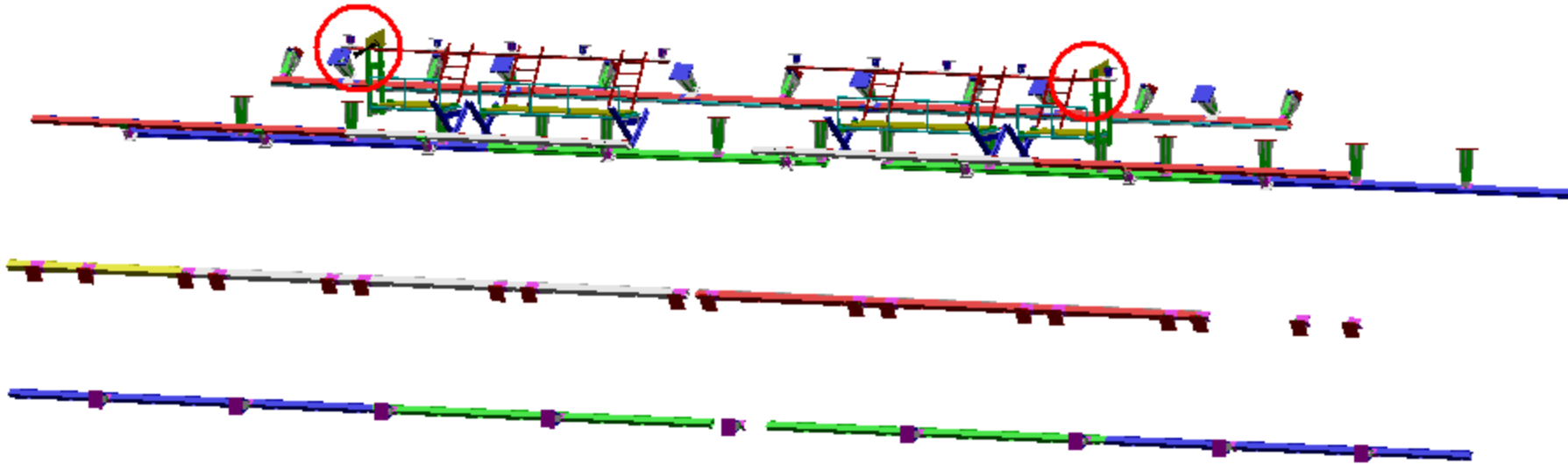
Sector 11



SIDE A-C

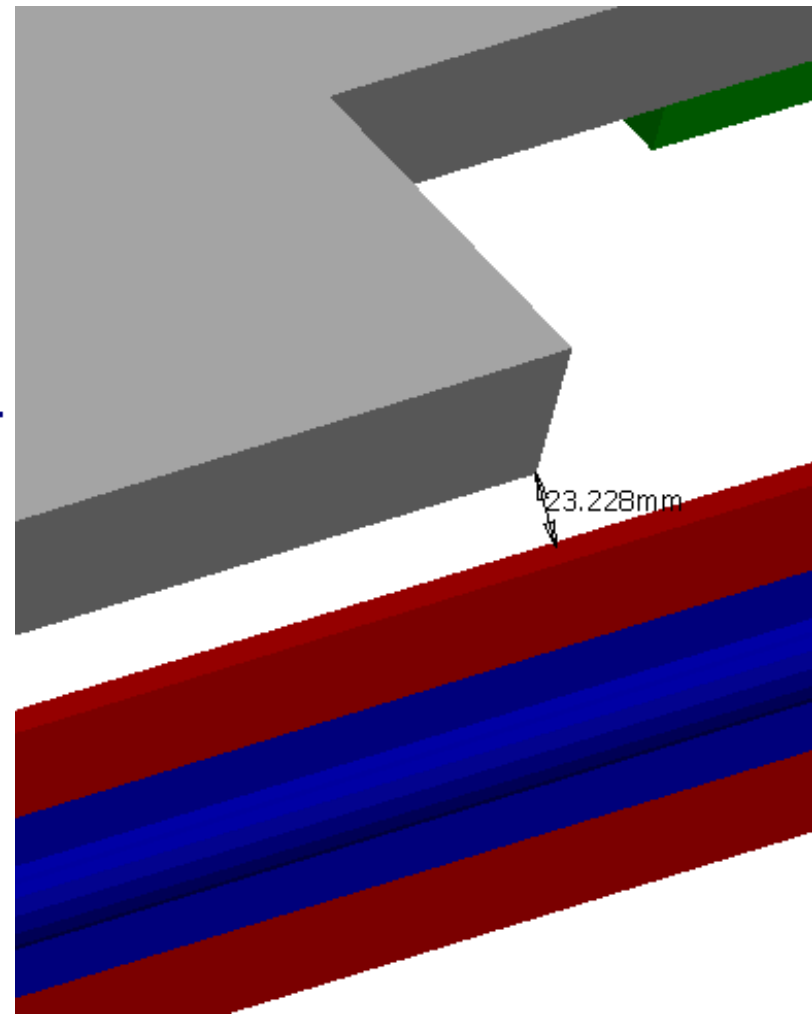
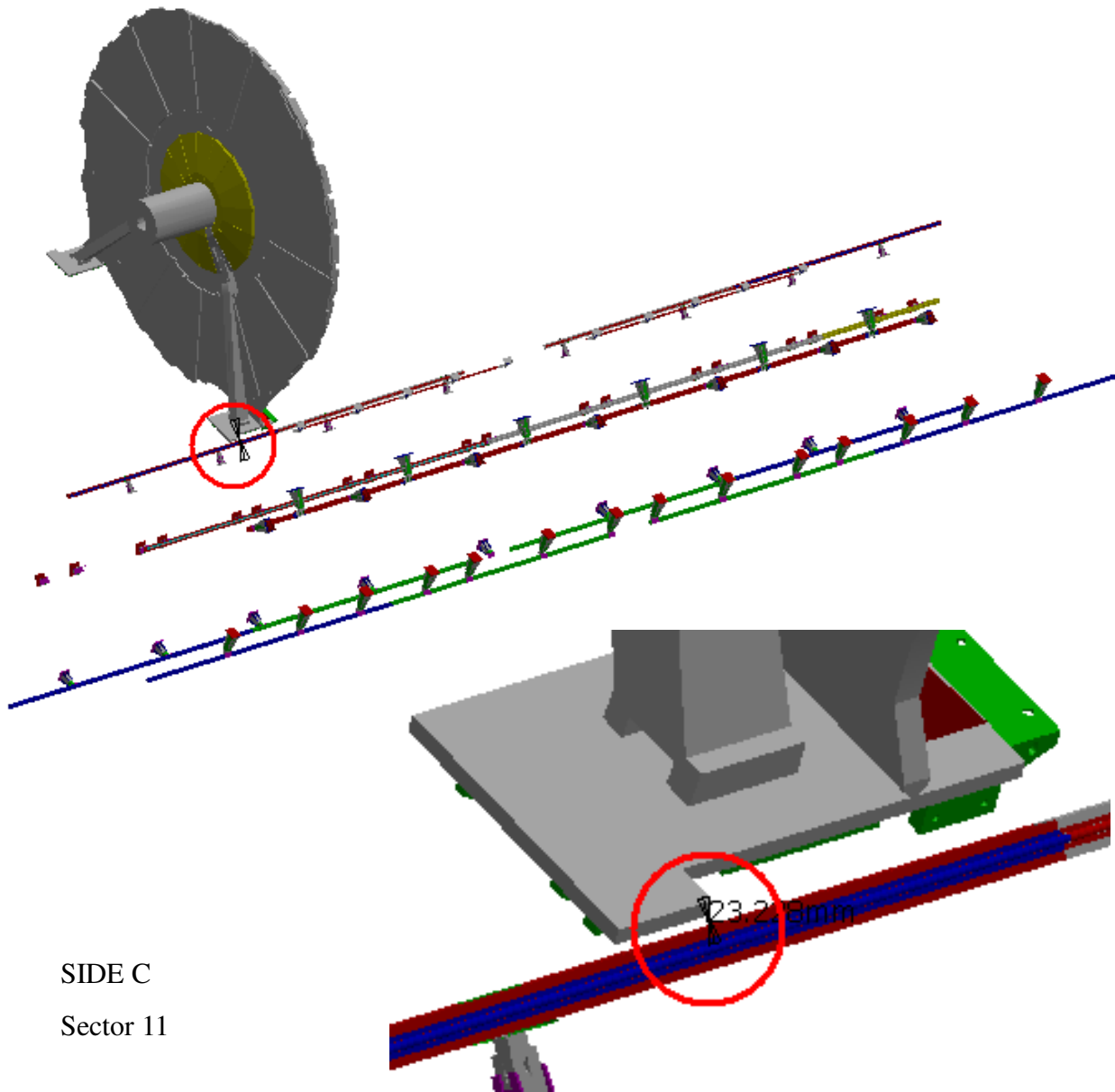
Sector 11

AT612359MQ – MUON SUPPORT, SECT.11	AT392351MQ-S11 - Aux. PLTF Vouss. Lev. Sector 11	Clearance	4.8 mm			Not inspected
			$\Delta X \approx -4.8$	$\Delta Y \approx 0$	$\Delta Z \approx 0$	



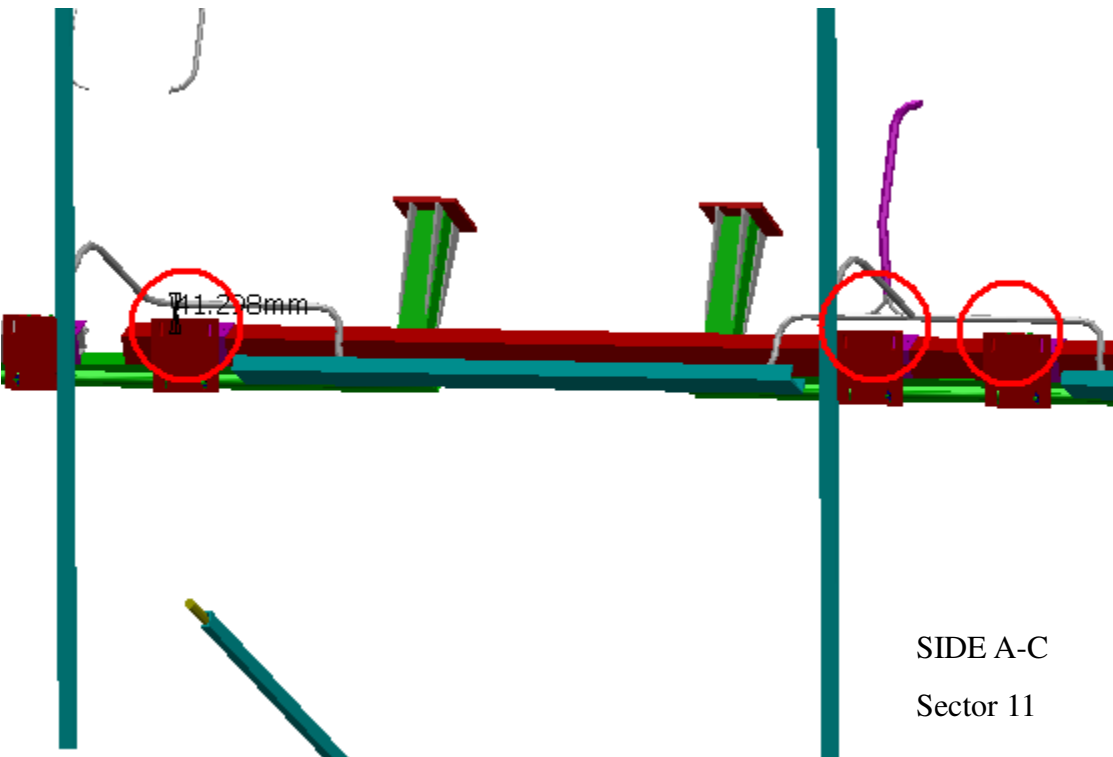
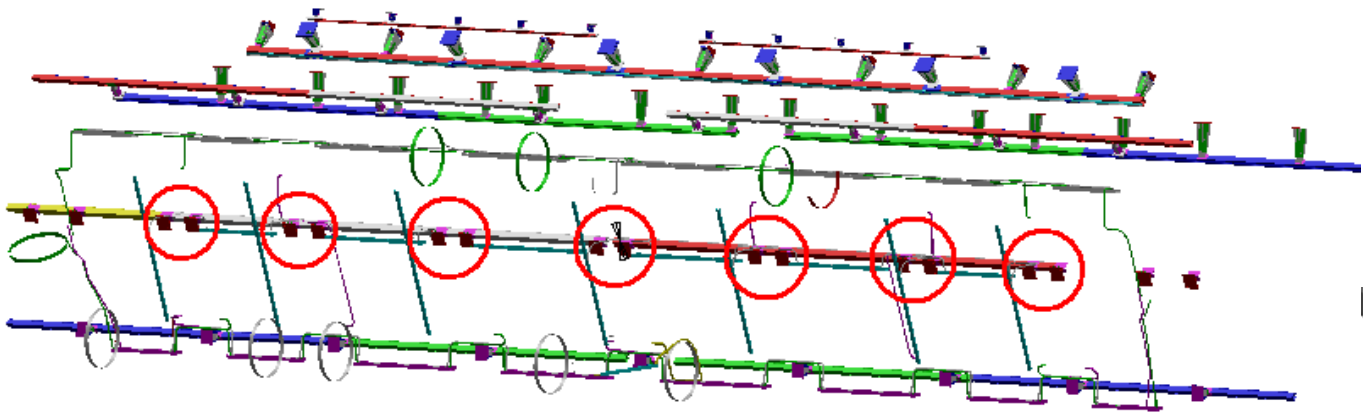
SIDE A-C
Sector 11

AT612359MQ – MUON SUPPORT, SECT.11	NJ__0003 - JD SHIELDING (SIDE C) - WITH TGC MUON CHAMBERS	Clearance	23.2 mm			Not inspected
			$\Delta X \approx 16.4$	$\Delta Y \approx 16.4$	$\Delta Z \approx 0$	



SIDE C
Sector 11

AT612359MQ – MUON SUPPORT, SECT.11	NSM_0016 - BT HEATER CABLE DISTRIBUTION - FOR FOOT REGION	Clearance	41.3 mm			Not inspected
			$\Delta X \approx 16.1$	$\Delta Y \approx 38$	$\Delta Z \approx 0$	



SIDE A-C
Sector 11

