

Clash Publish



Clash Computation Specification			
Products Selected		Value	Status
AT612359MQ – MUON SUPPORT, SECT.11	VHB__0001 - CENTRAL PAIR OF FEET B - DETAILED MODEL FOR STANDARDS	-25.5 mm	Not inspected
	VHB__0002 - STANDARD PAIR OF FEET A1 (C1) - DETAILED MODEL FOR STANDARDS	-25.5 mm	Not inspected
	VHB__0003 - STANDARD PAIR OF FEET A2 (C2) - DETAILED MODEL FOR STANDARDS	-25.5 mm	Not inspected
	VHB__0004 - STANDARD PAIR OF FEET A3 (C3) - DETAILED MODEL FOR STANDARDS	-25.5 mm	Not inspected
	VHB__0005 - EXTREMITY PAIR OF FEET A4 (C4) - DETAILED MODEL FOR STANDARDS	-26 mm	Not inspected
	ATCVHB_0002 M - STANDARD PAIR OF FEET A1 (C1) - DETAILED MODEL FOR STANDARDS	-25.5 mm	Not inspected
	ATCVHB_0003 M - STANDARD PAIR OF FEET A2 (C2) - DETAILED MODEL FOR STANDARDS	-25.4 mm	Not inspected

Products Selected		Value	Status
AT612359MQ – MUON SUPPORT, SECT.11	ATCVHB_0004 M - STANDARD PAIR OF FEET A3 (C3) - DETAILED MODEL FOR STANDARDS	-25.5 mm	Not inspected
	ATCVHB_0005 M - EXTREMITY PAIR OF FEET A4 (C4) - DETAILED MODEL FOR STANDARDS	-26 mm	Not inspected
	NTB_0001 BT10 - TB STANDARD COIL - SECTOR 10	-130 mm	Not inspected
	AT812126MQ - WARM STRUCTURE	-29.9 mm	Not inspected
	AT812127MQ - WARM STRUCTURE	-29.6 mm	Not inspected
	AT812128MQ - WARM STRUCTURE	-33.4 mm	Not inspected
	AT812126MQ-M - WARM STRUCTURE	-27.4 mm	Not inspected
	AT812127MQ-M - WARM STRUCTURE	-27.5 mm	Not inspected
	AT812128MQ-M - WARM STRUCTURE	-36.1 mm	Not inspected
	Z5__0002 - Z5 GLOBAL ENVELOPE (SIDE C) - AND LOCATION INTERFACES	-50.6 mm	Not inspected
	Z5__0001 - Z5 GLOBAL ENVELOPE (SIDE A) - AND LOCATION INTERFACES <i>Working on new version</i>	-	-

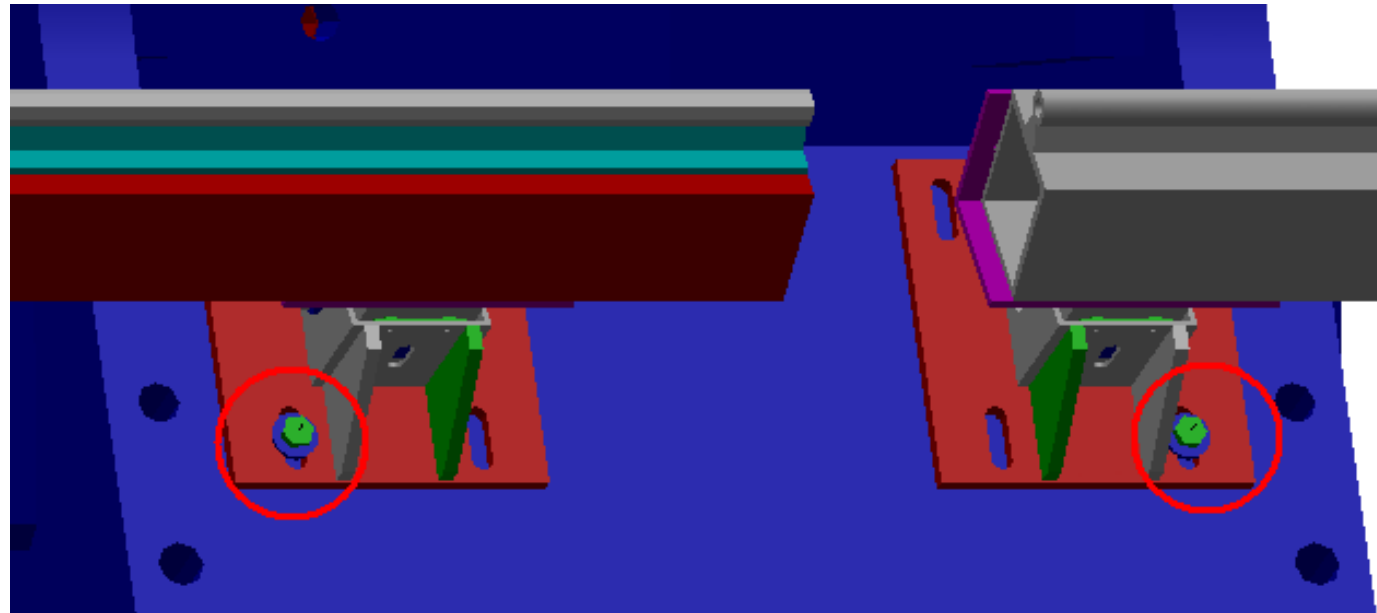
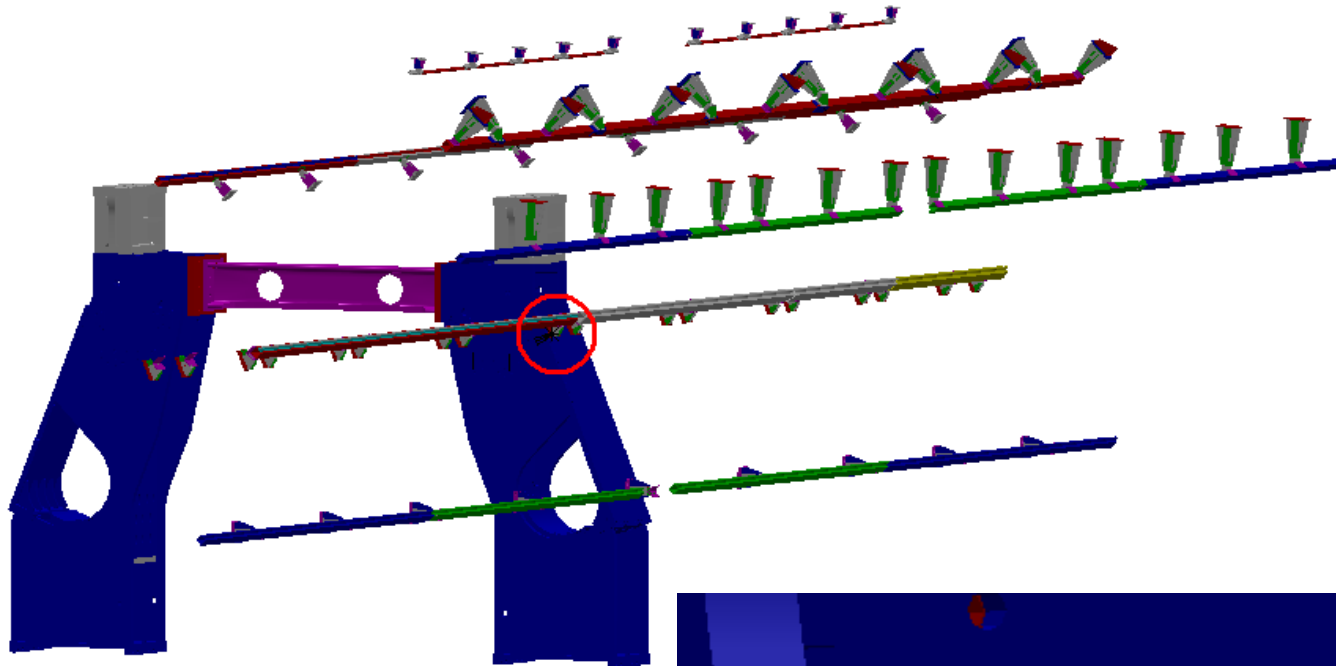
AT612359MQ – MUON SUPPORT,
SECT.11

VHB__0001 - CENTRAL PAIR OF FEET B -
DETAILED MODEL FOR STANDARDS

Clash

-25.5 mm

Not inspected

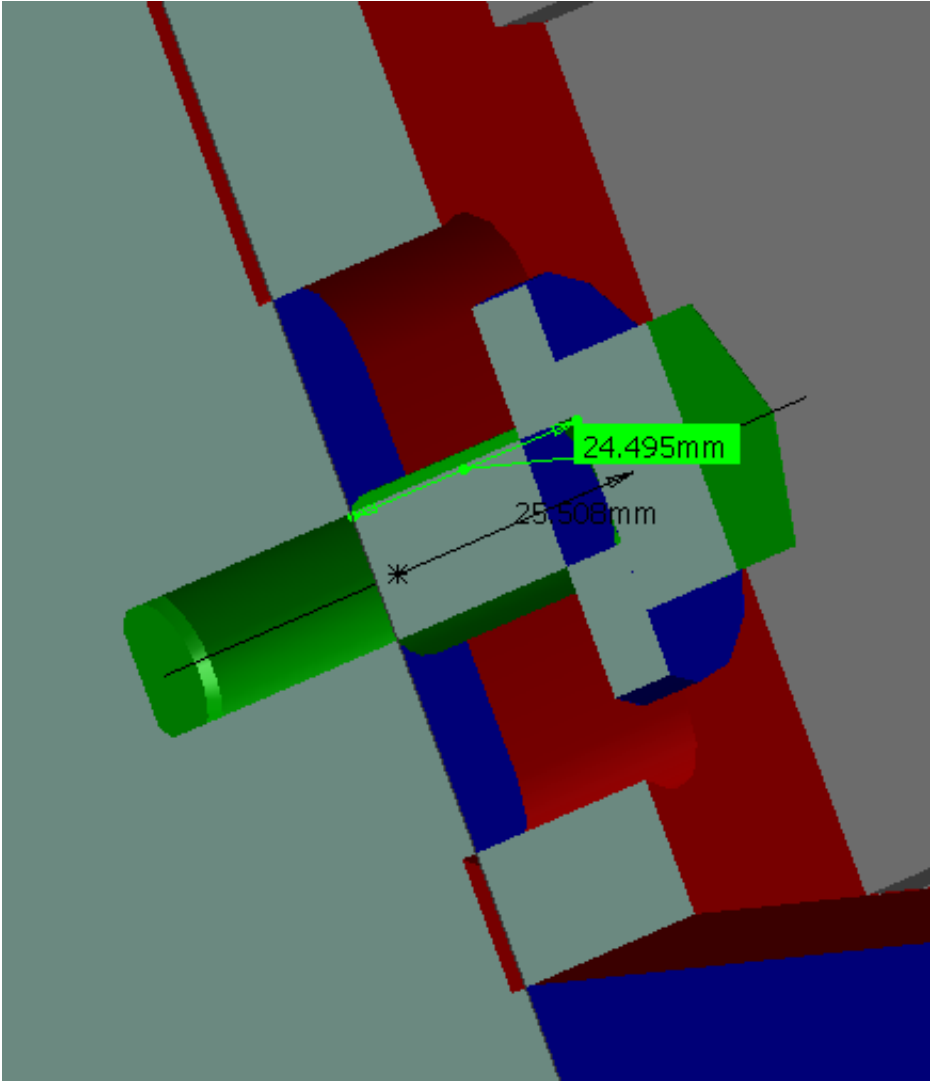
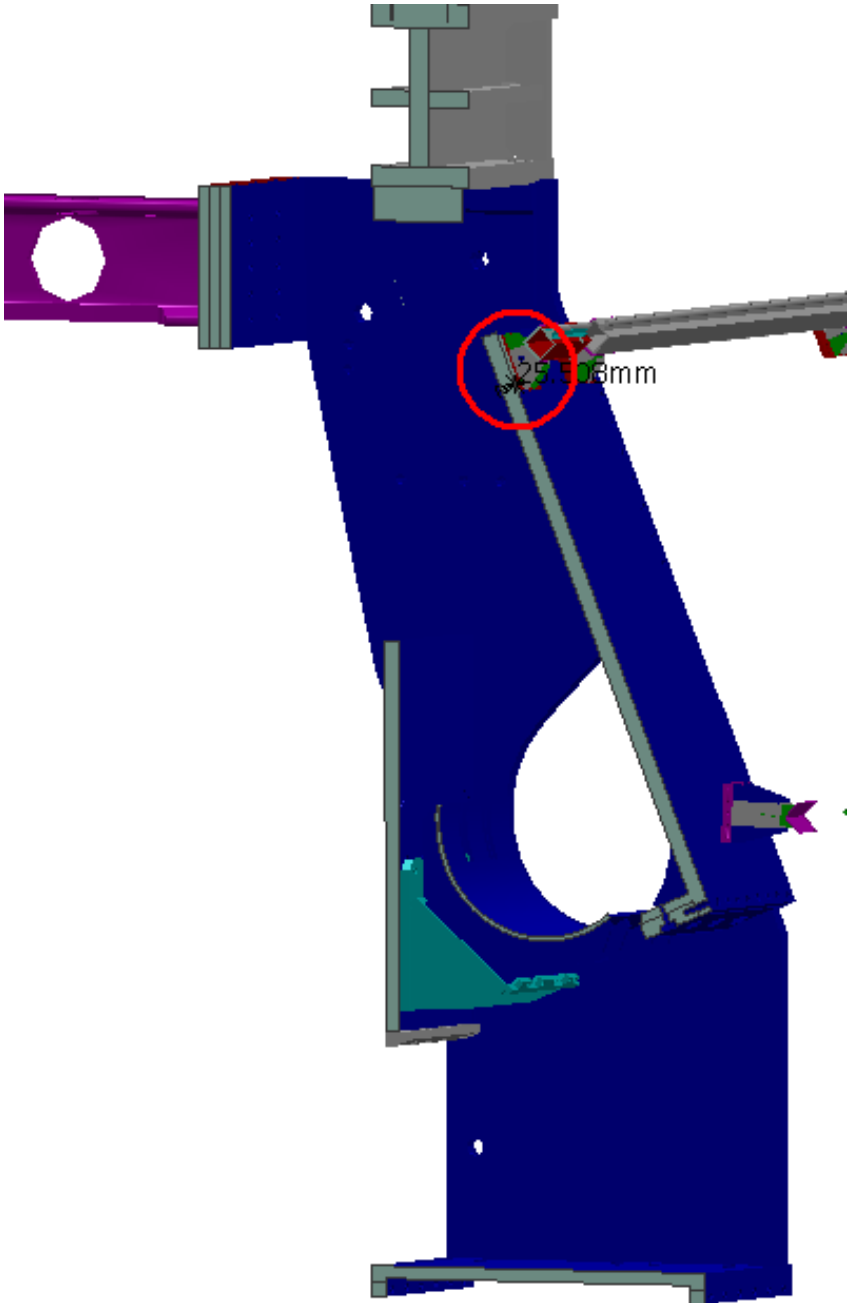


Clash value: ~ 25.5 mm

SIDE A-C

Sector 11

Clash View:



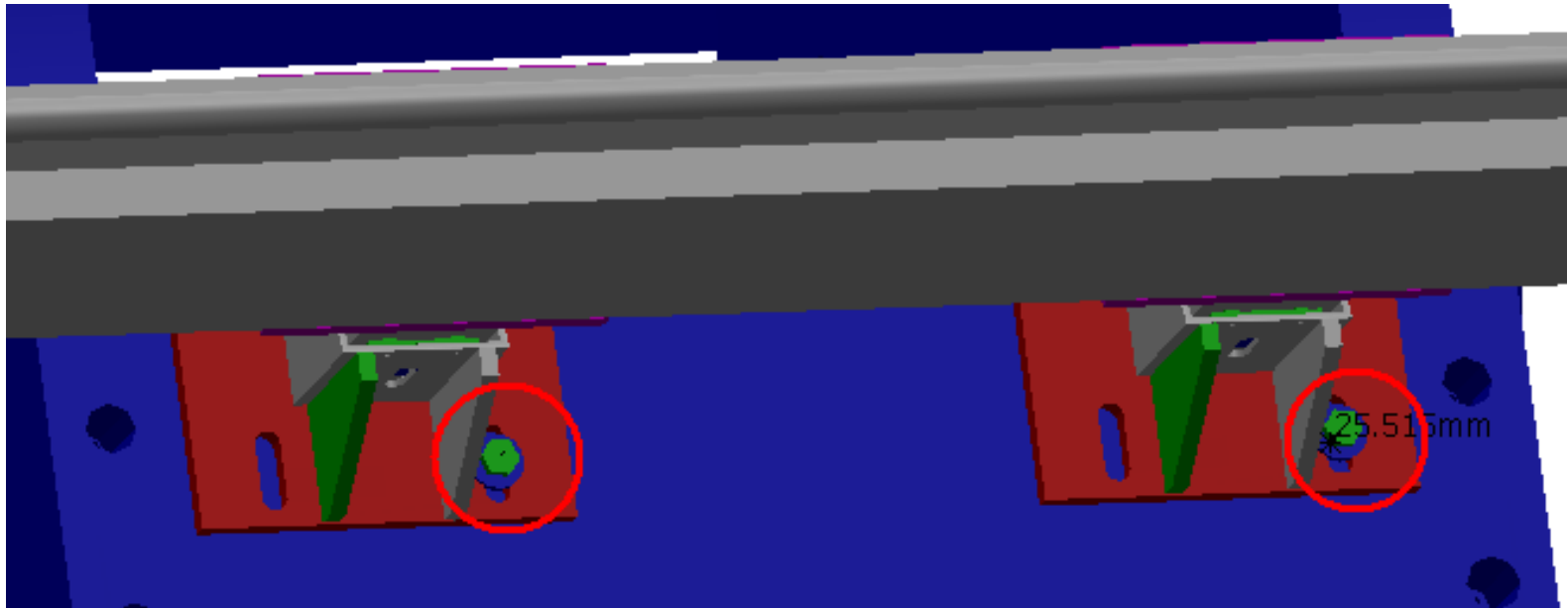
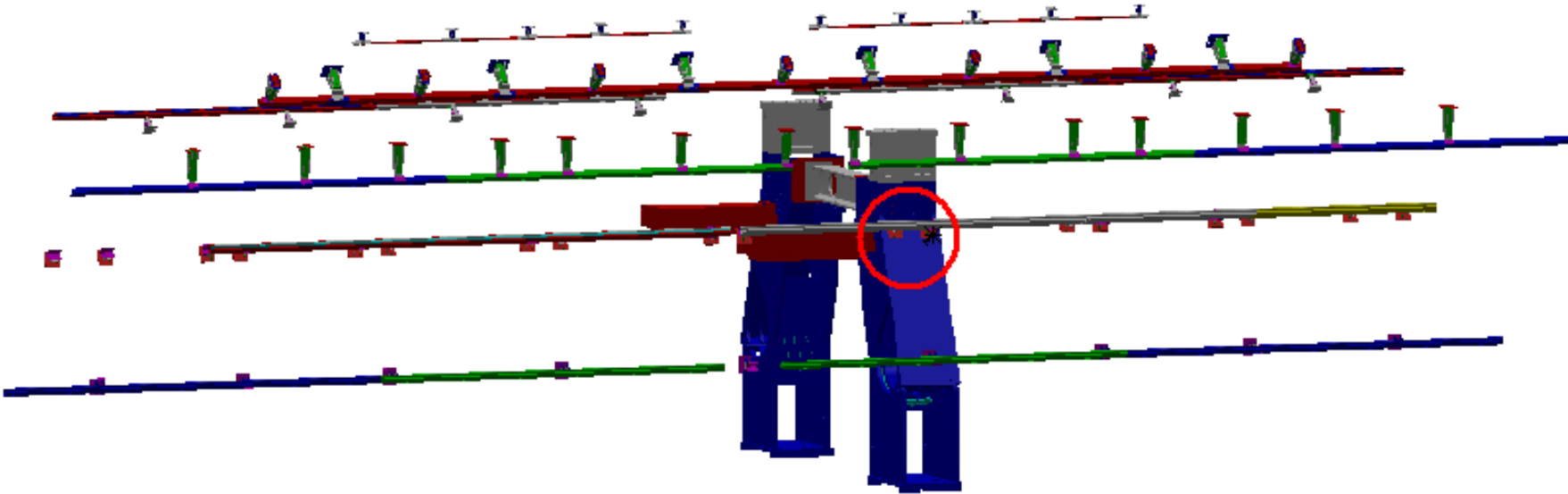
AT612359MQ – MUON SUPPORT,
SECT.11

VHB__0002 - STANDARD PAIR OF FEET A1 (C1) -
DETAILED MODEL FOR STANDARDS

Clash

-25.5 mm

Not inspected

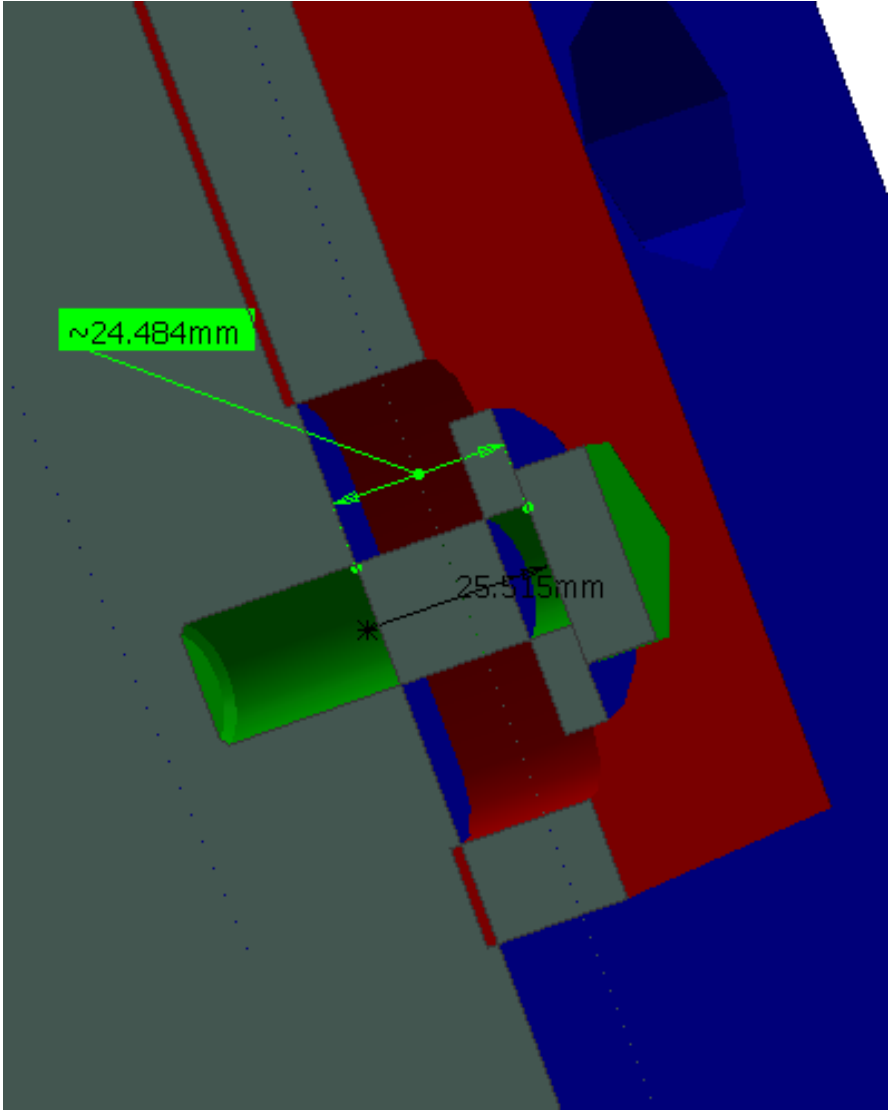
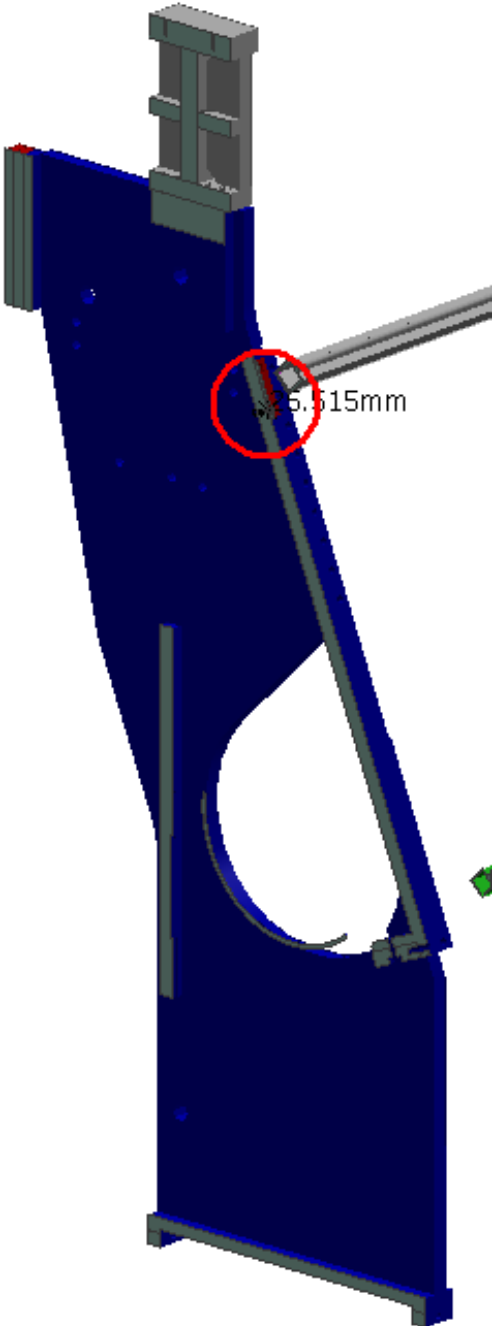


Clash value: ~ 25.5 mm

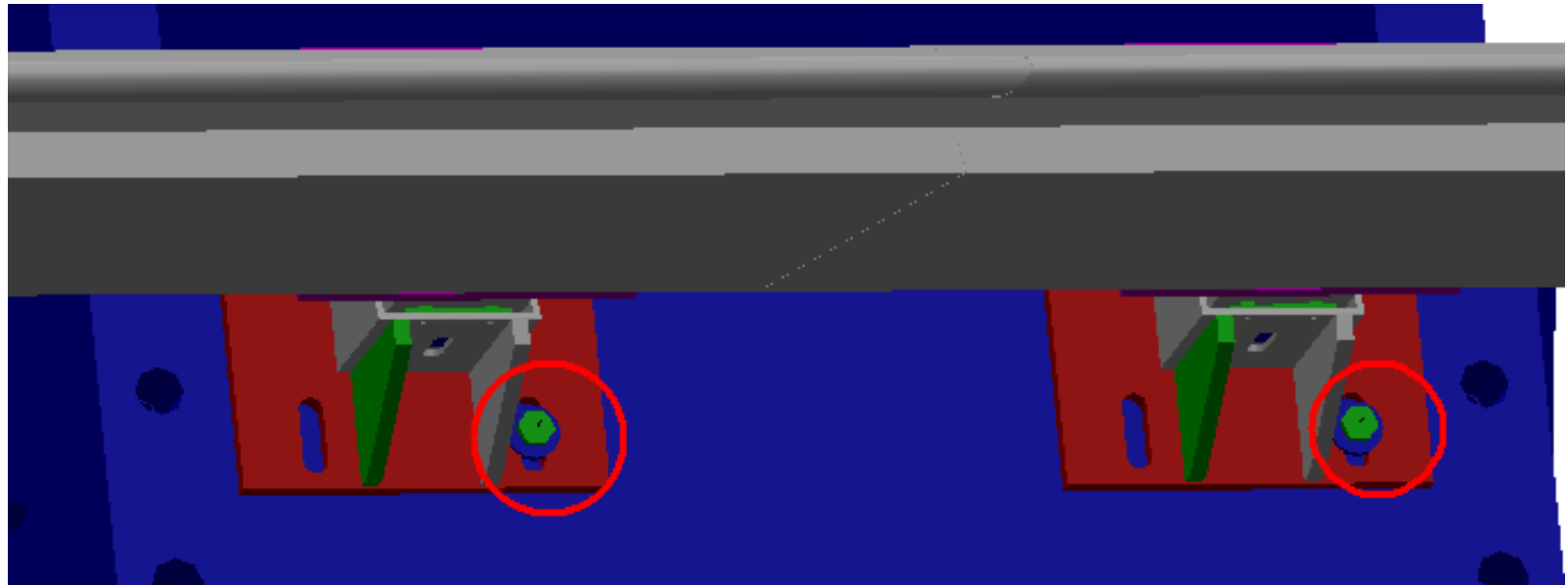
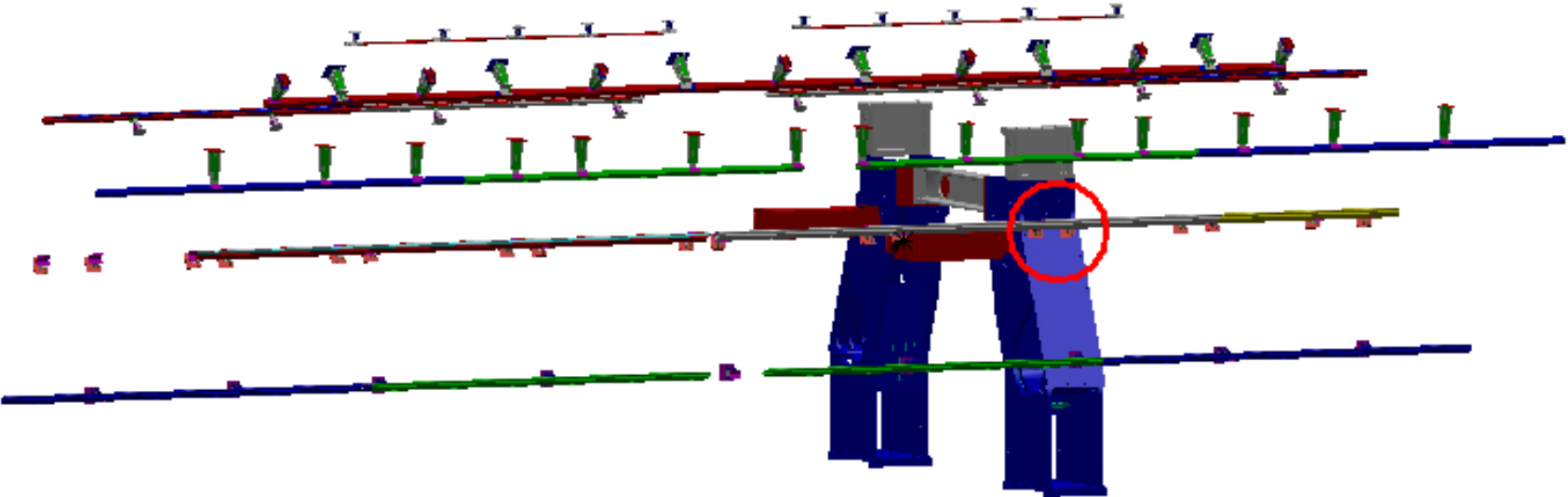
SIDE A

Sector 11

Clash View:

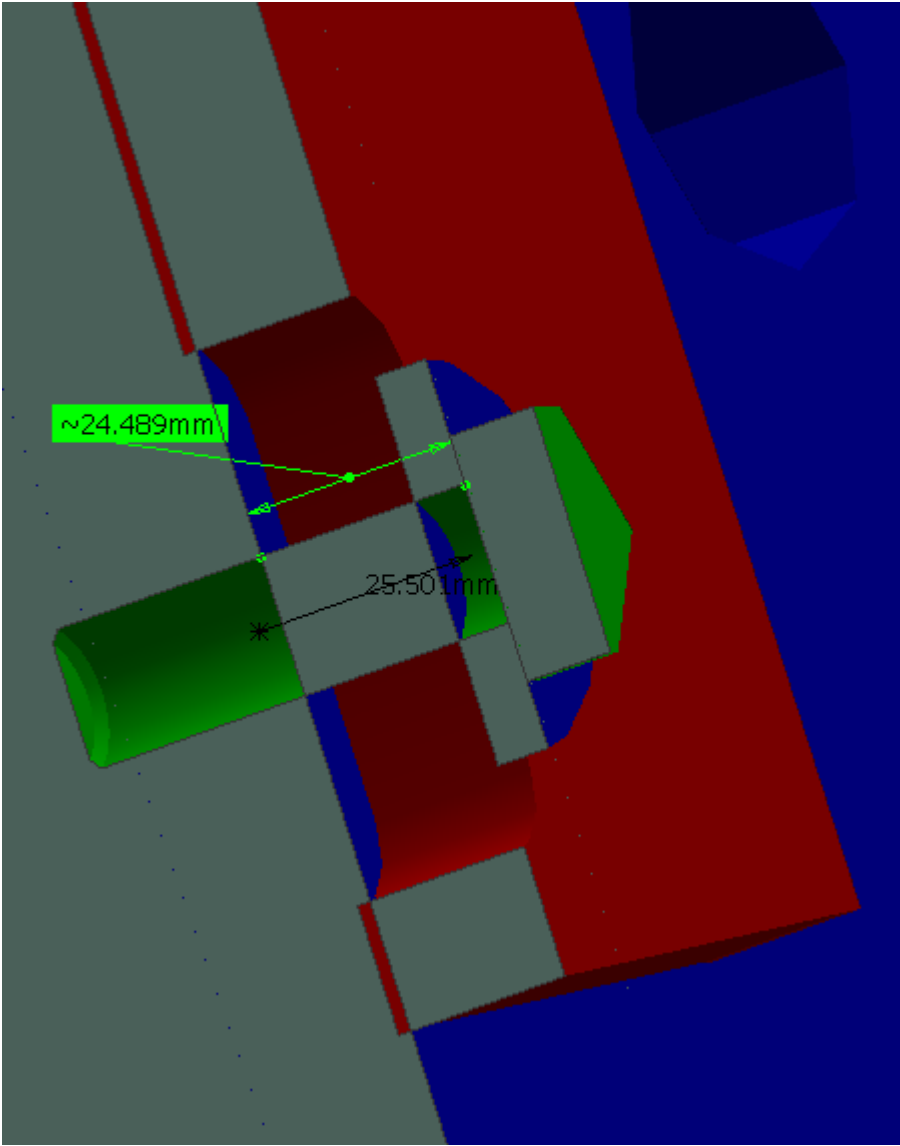
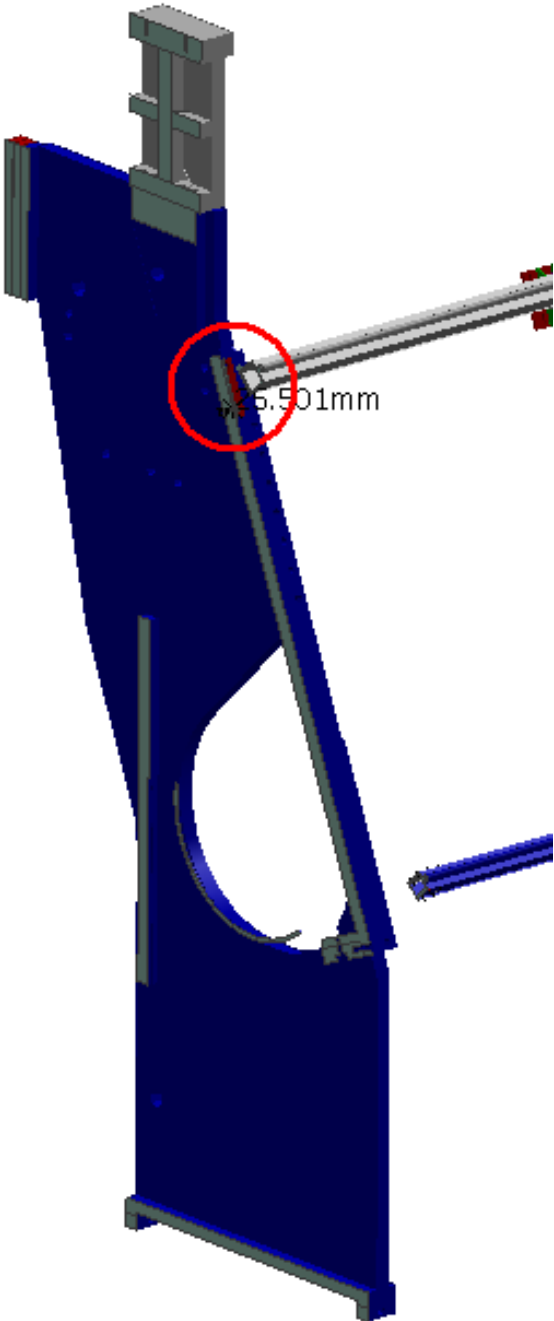


AT612359MQ – MUON SUPPORT, SECT.11	VHB__0003 - STANDARD PAIR OF FEET A2 (C2) - DETAILED MODEL FOR STANDARDS	Clash	-25.5 mm	Not inspected
---------------------------------------	---	-------	----------	---------------

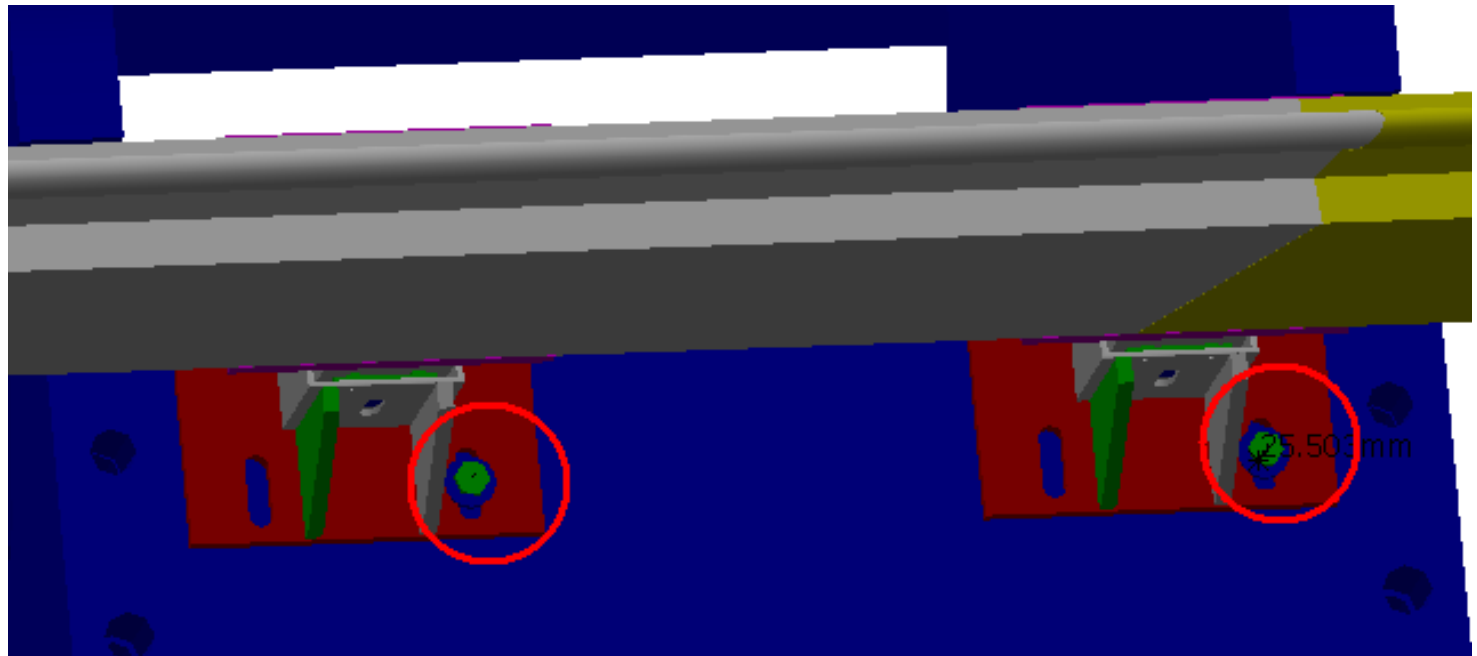
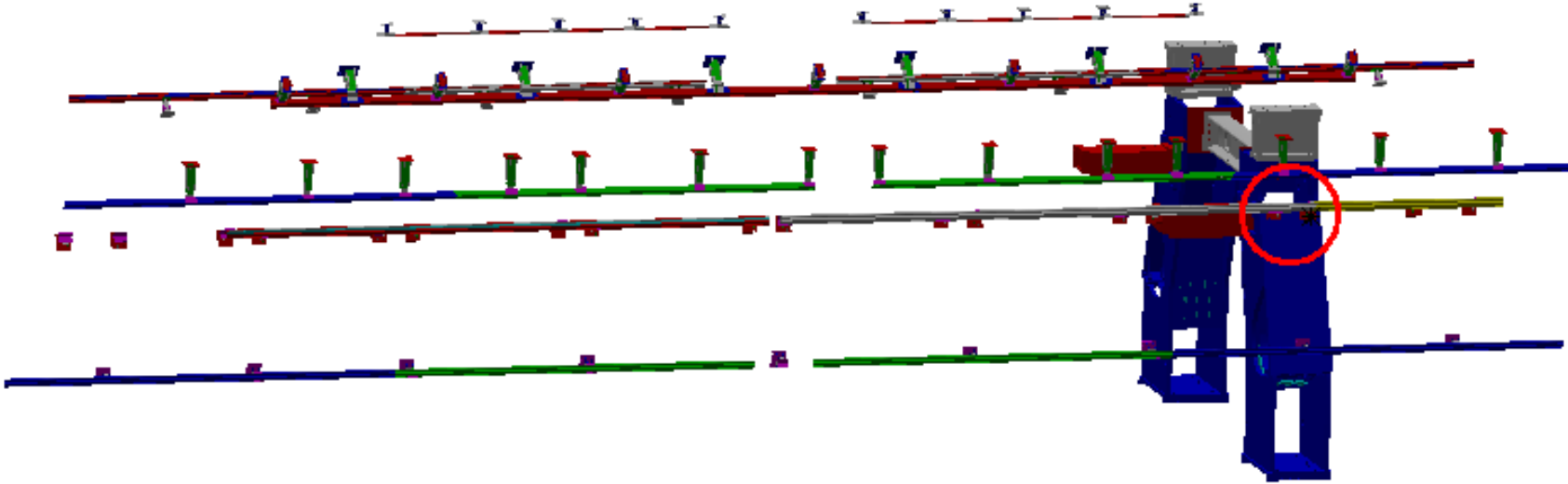


Clash value: ~ 25.5mm
SIDE A
Sector 11

Clash View:



AT612359MQ – MUON SUPPORT, SECT.11	VHB__0004 - STANDARD PAIR OF FEET A3 (C3) - DETAILED MODEL FOR STANDARDS	Clash	-25.5 mm	Not inspected
---------------------------------------	---	-------	----------	---------------

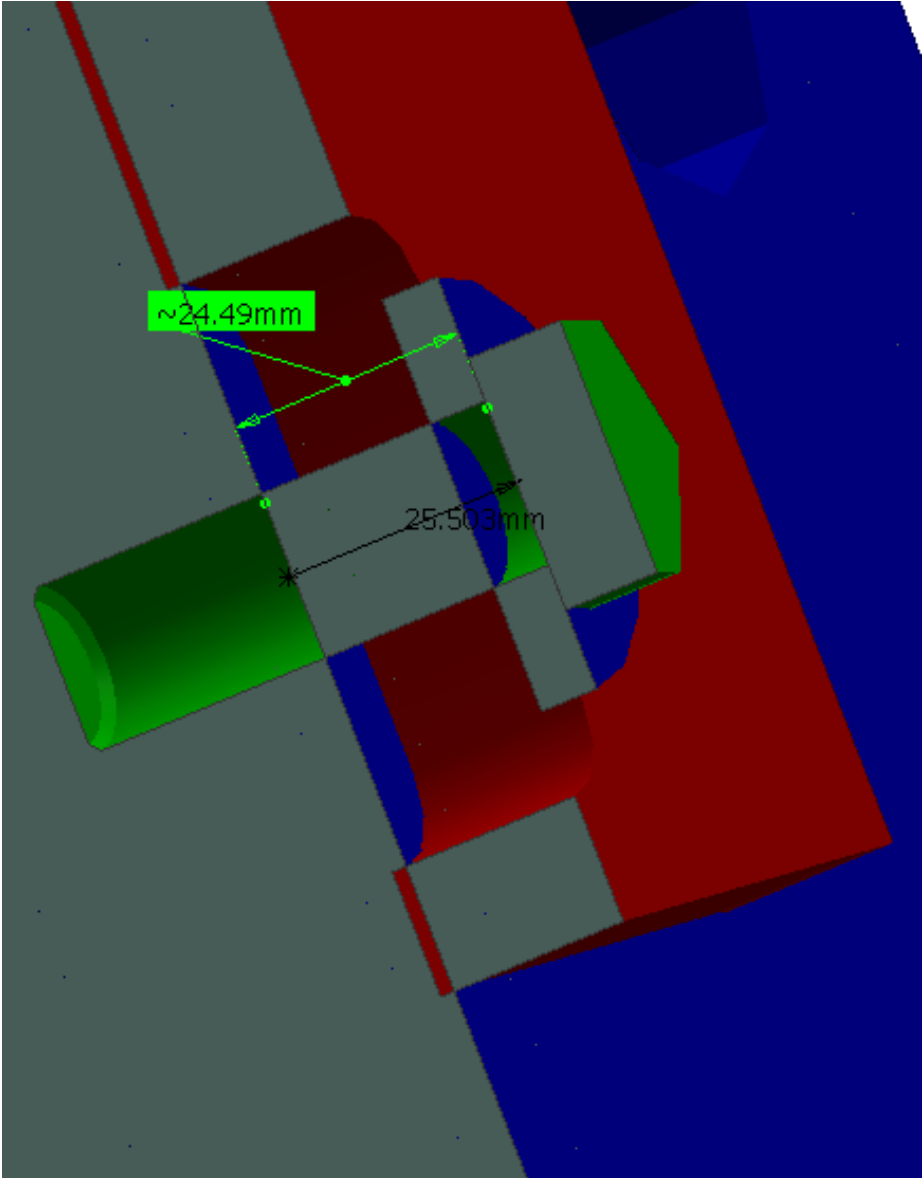
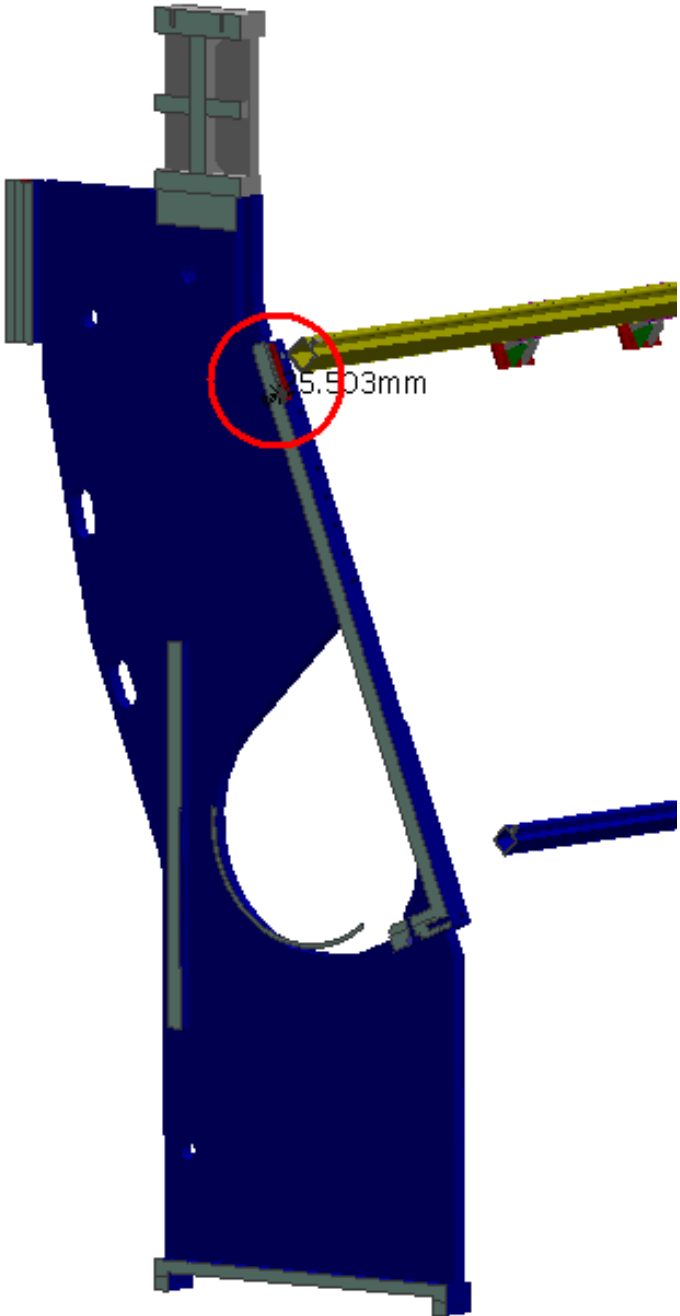


Clash value: ~ 25.5 mm

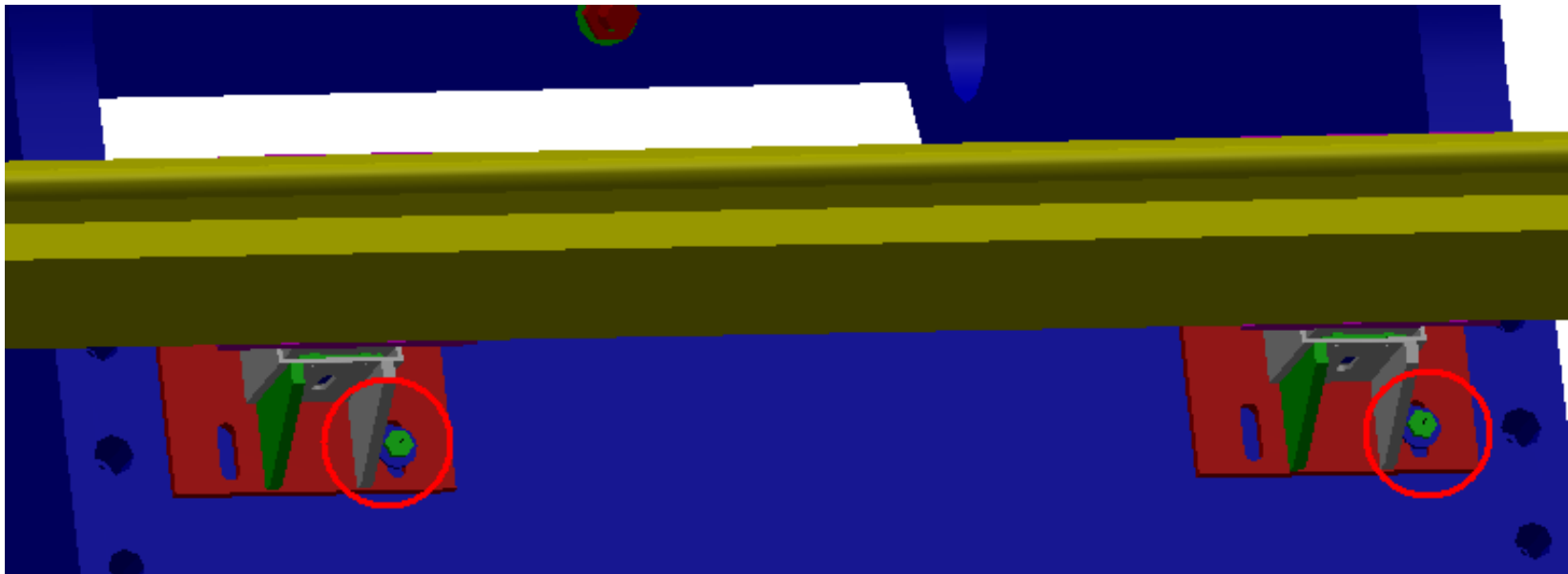
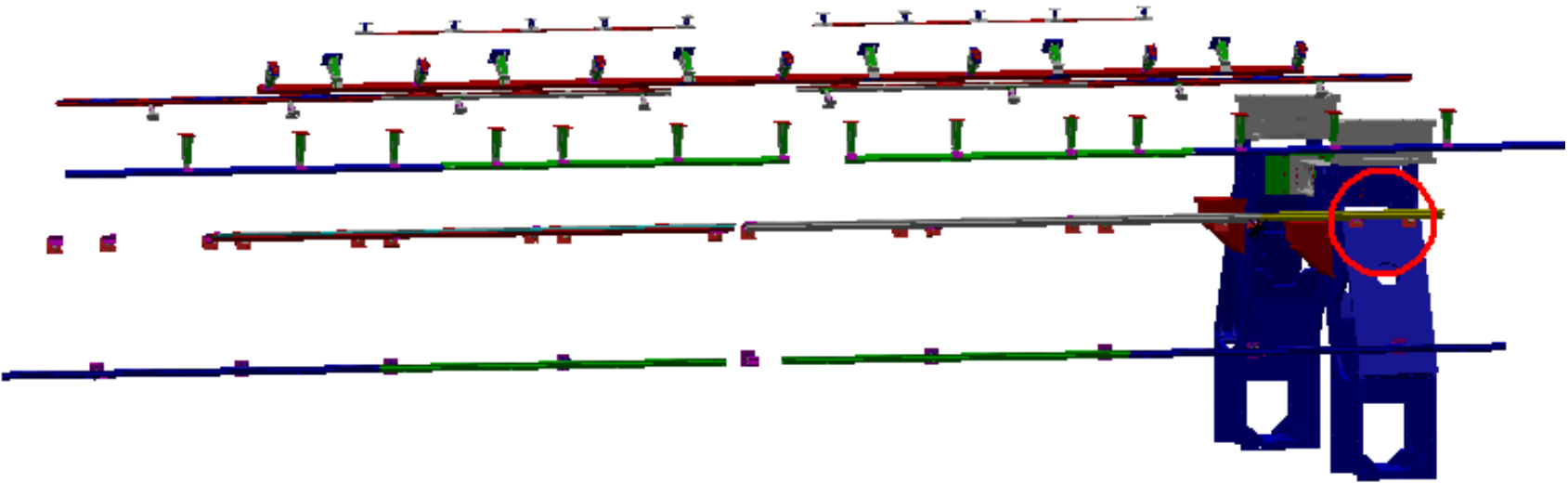
SIDE A

Sector 11

Clash View:



AT612359MQ – MUON SUPPORT, SECT.11	VHB__0005 - EXTREMITY PAIR OF FEET A4 (C4) - DETAILED MODEL FOR STANDARDS	Clash	-26 mm	Not inspected
---------------------------------------	--	-------	--------	---------------

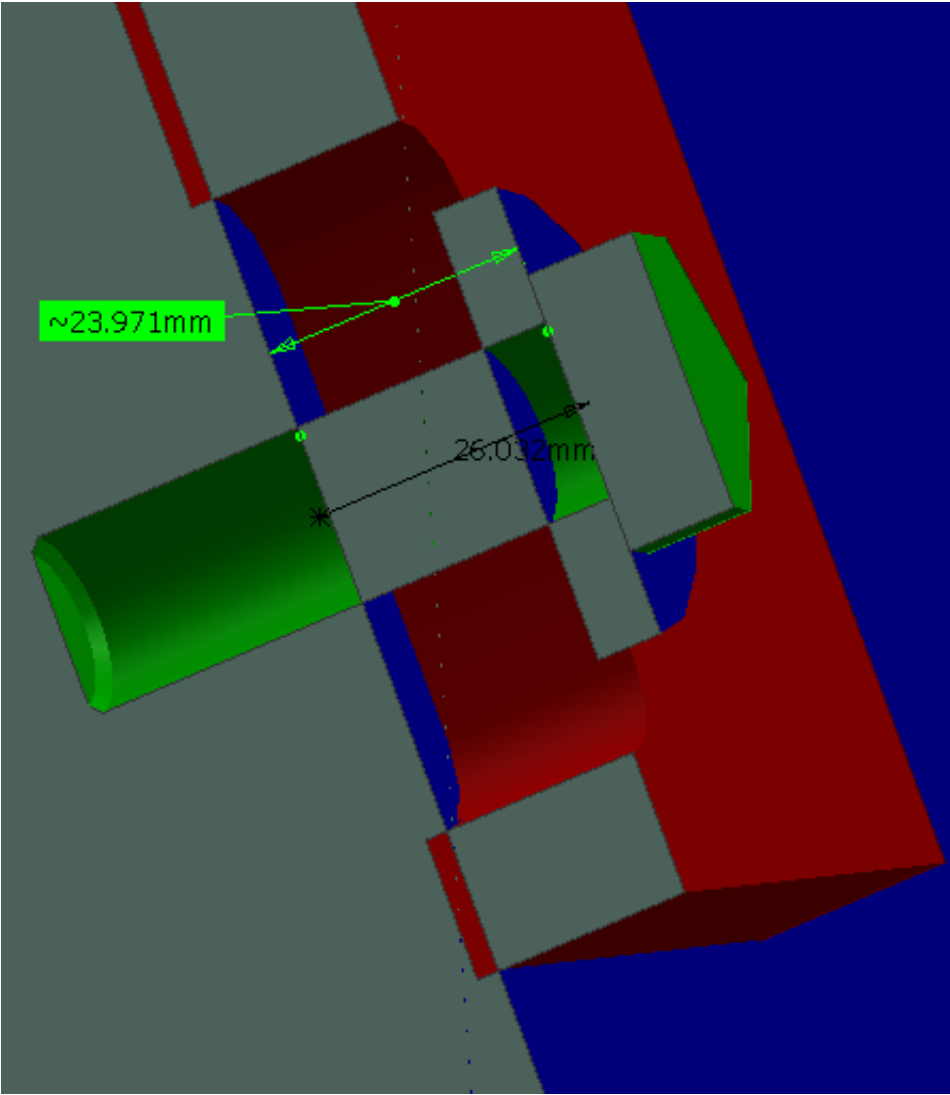
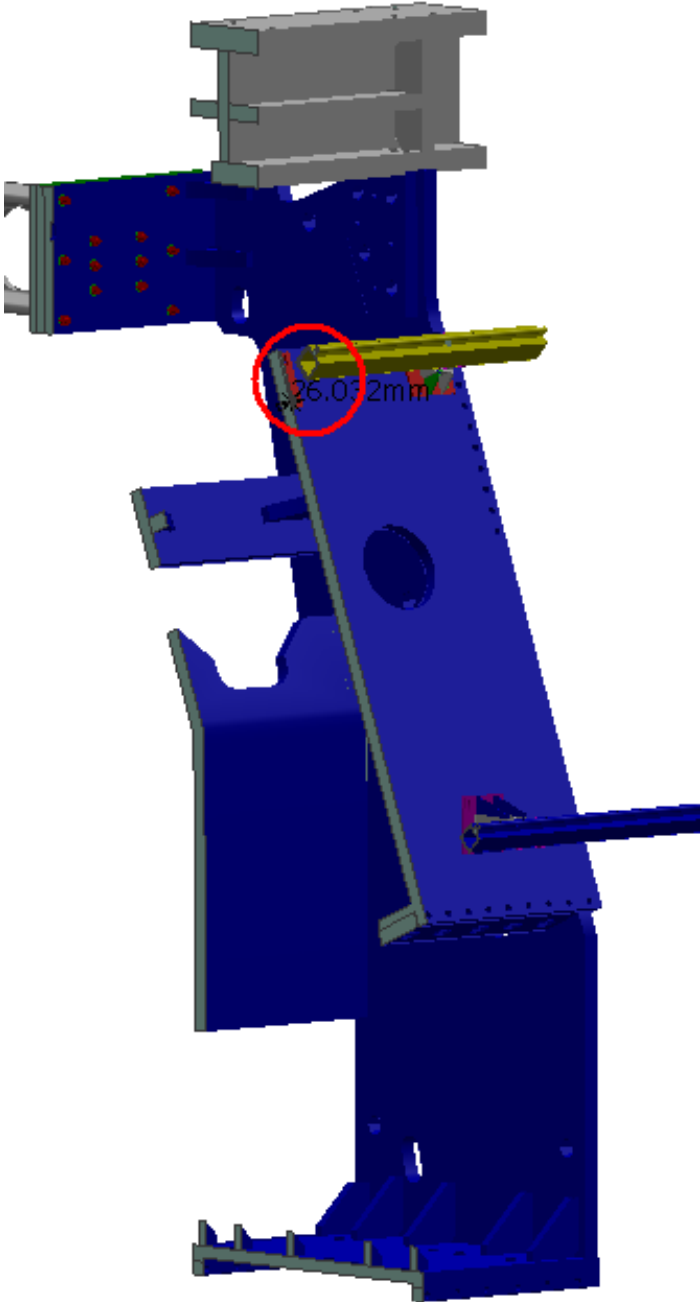


Clash value: ~ 26mm

SIDE A

Sector 11

Clash View:



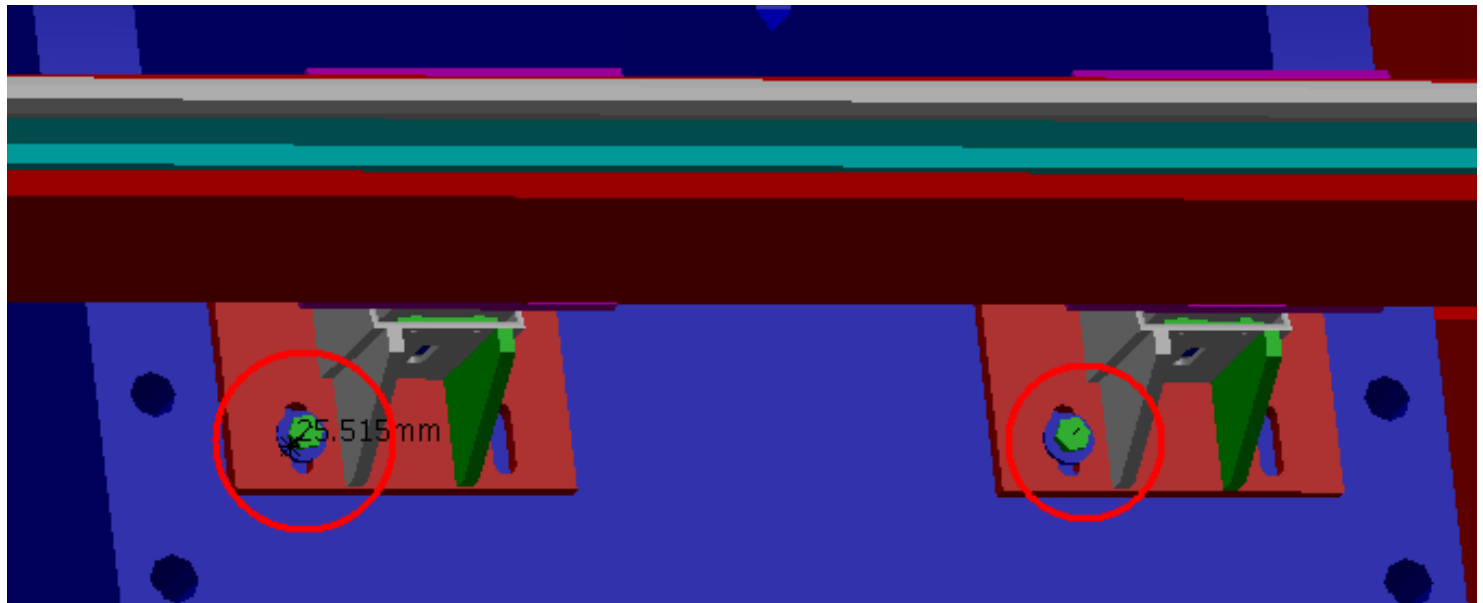
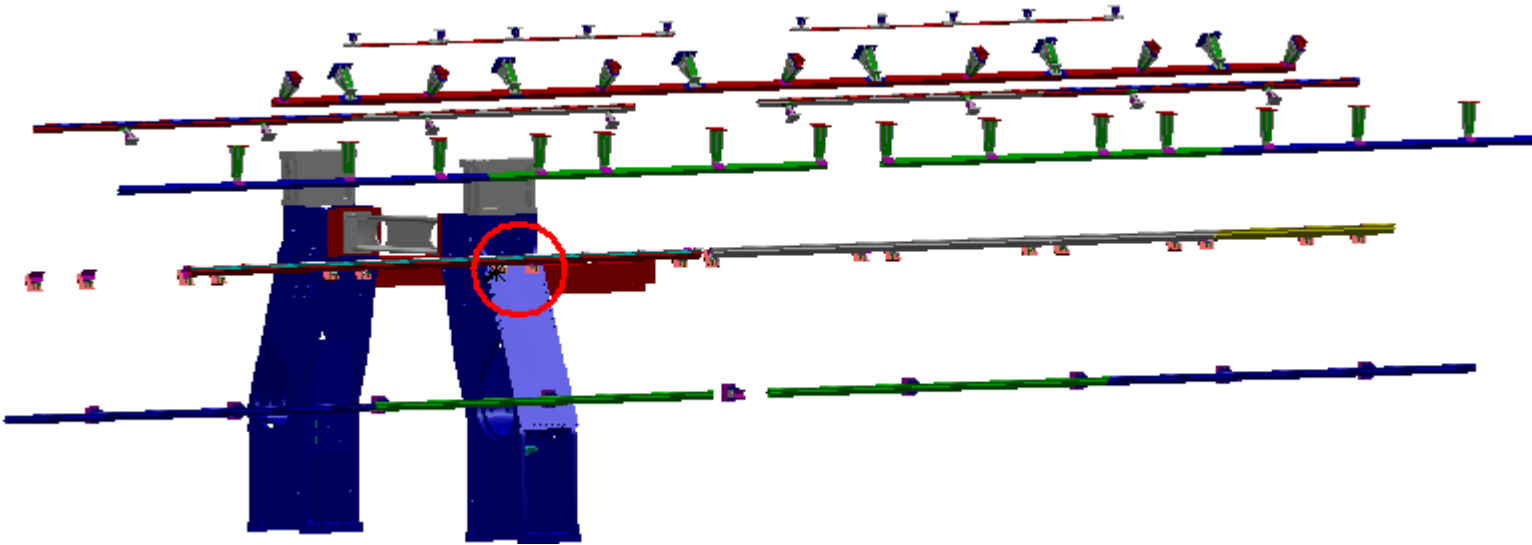
AT612359MQ – MUON SUPPORT,
SECT.11

ATCVHB_0002 M - STANDARD PAIR OF FEET A1
(C1) - DETAILED MODEL FOR STANDARDS

Clash

-25.5 mm

Not inspected

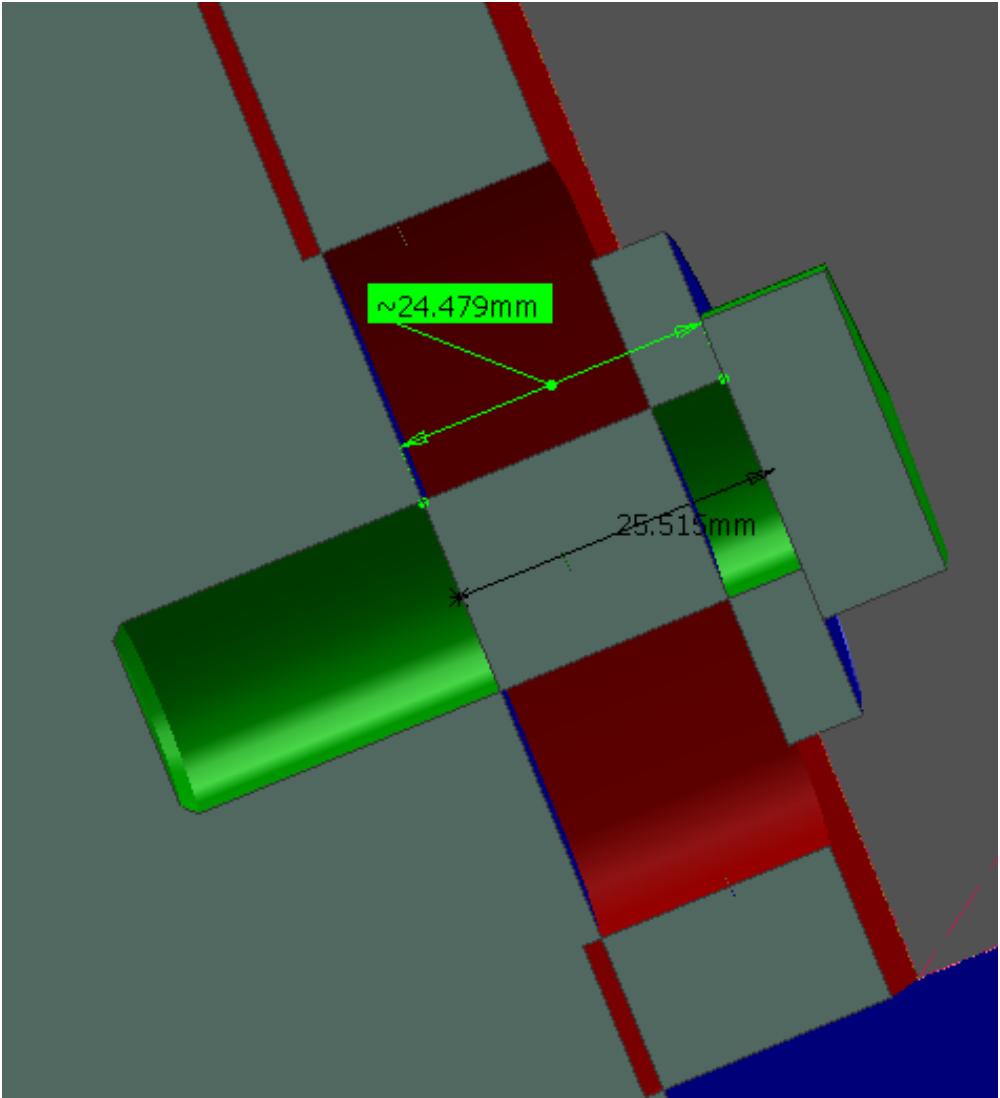
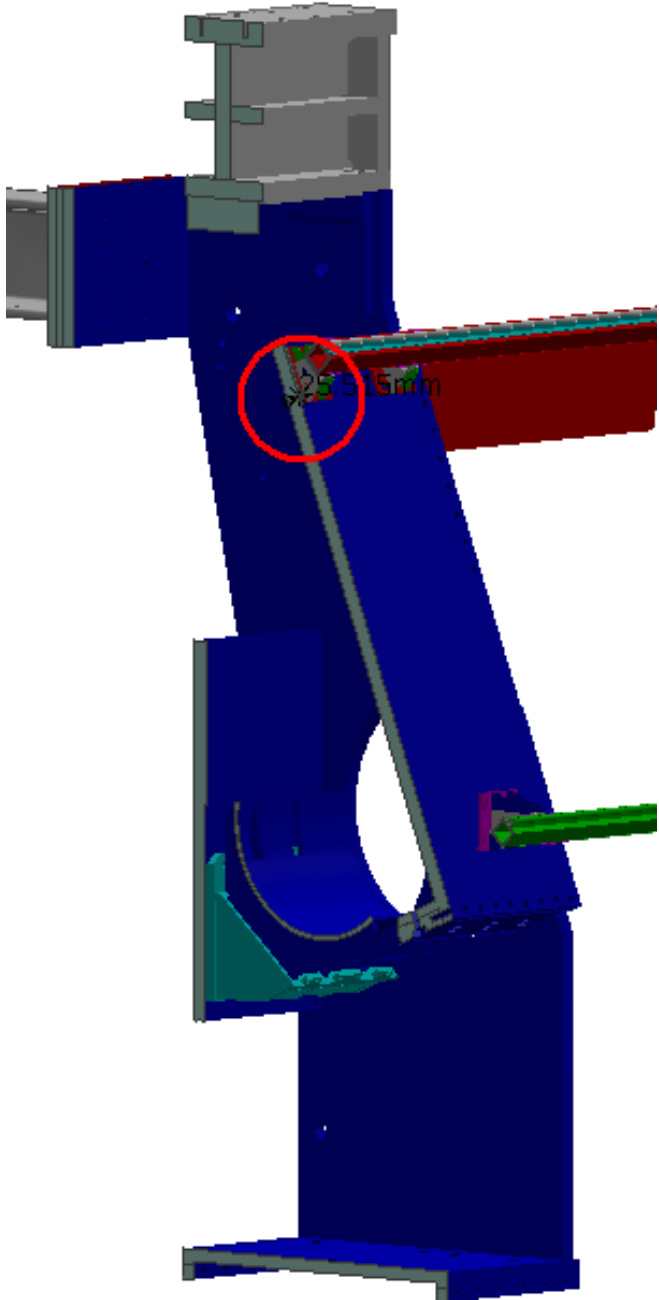


Clash value: ~ 25.5mm

SIDE C

Sector 11

Clash View:



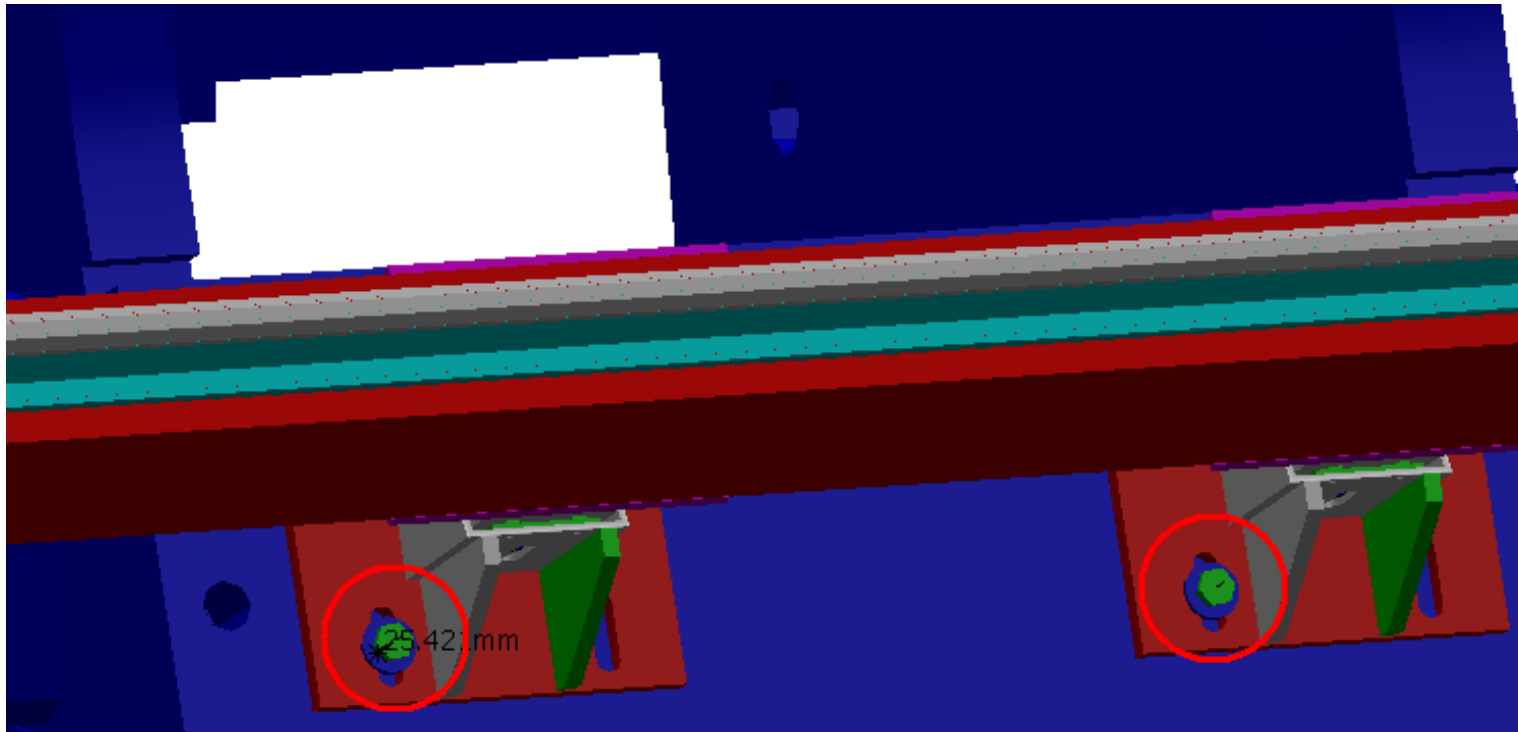
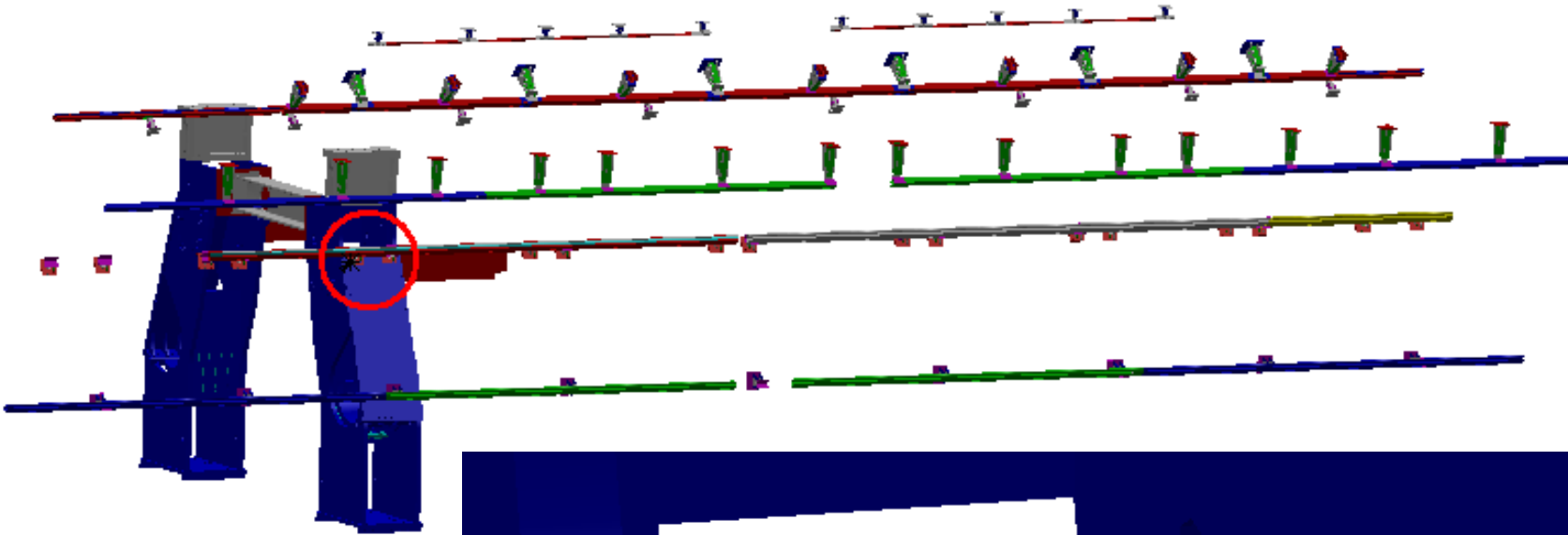
AT612359MQ – MUON SUPPORT,
SECT.11

ATCVHB_0003 M - STANDARD PAIR OF FEET A2
(C2) - DETAILED MODEL FOR STANDARDS

Clash

-25.4 mm

Not inspected

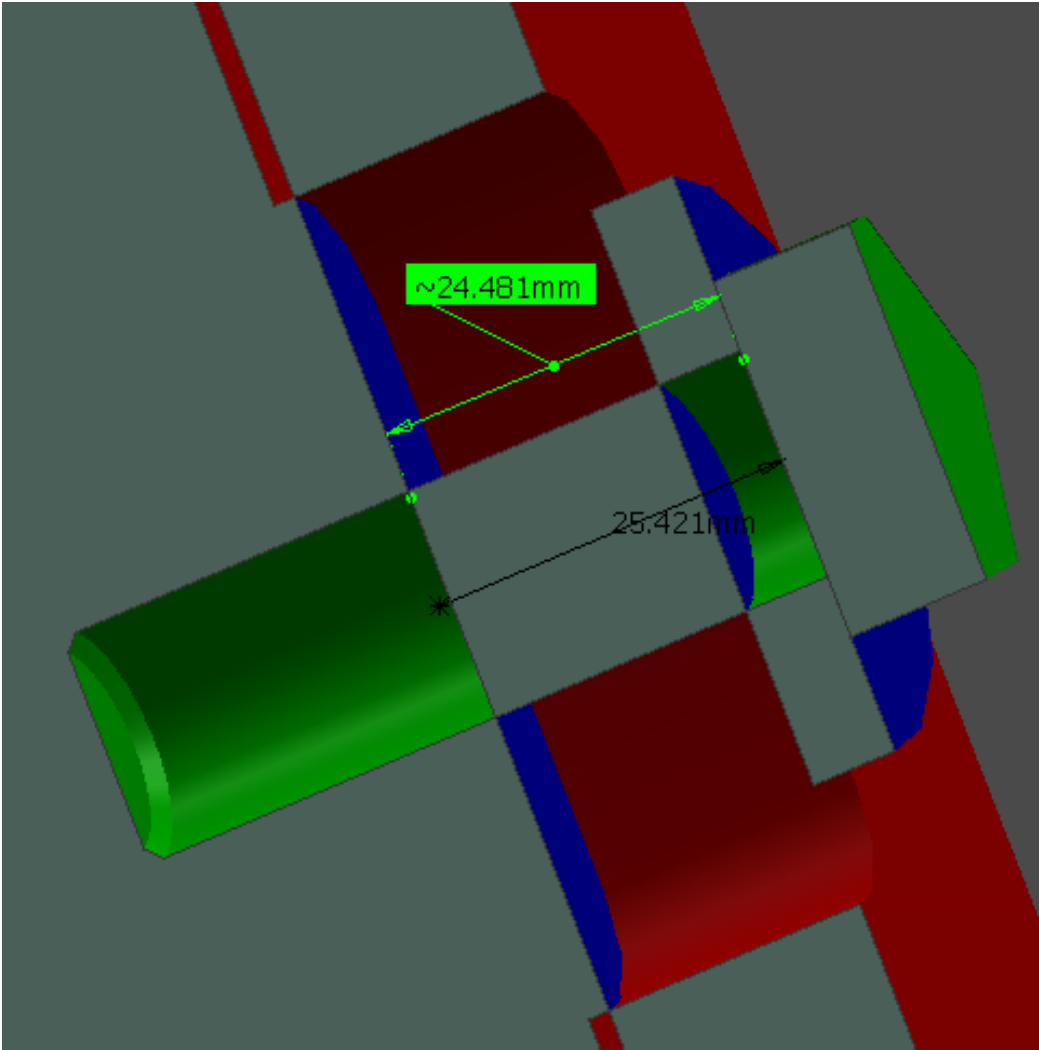
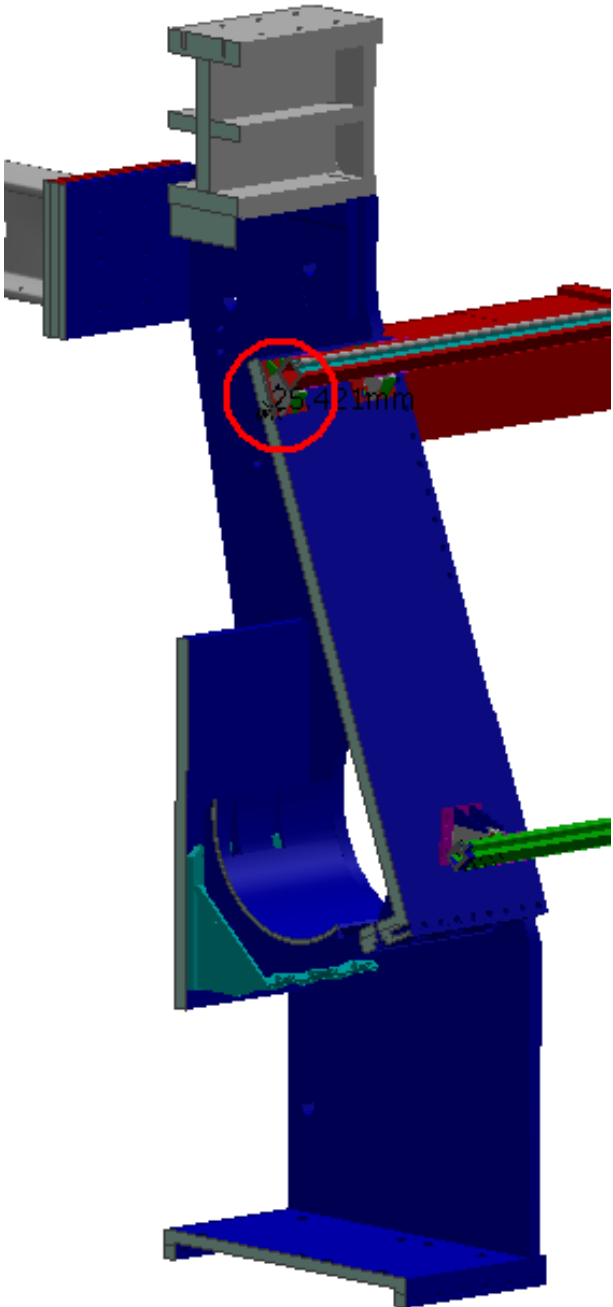


Clash value: ~ 25.4mm

SIDE C

Sector 11

Clash View:



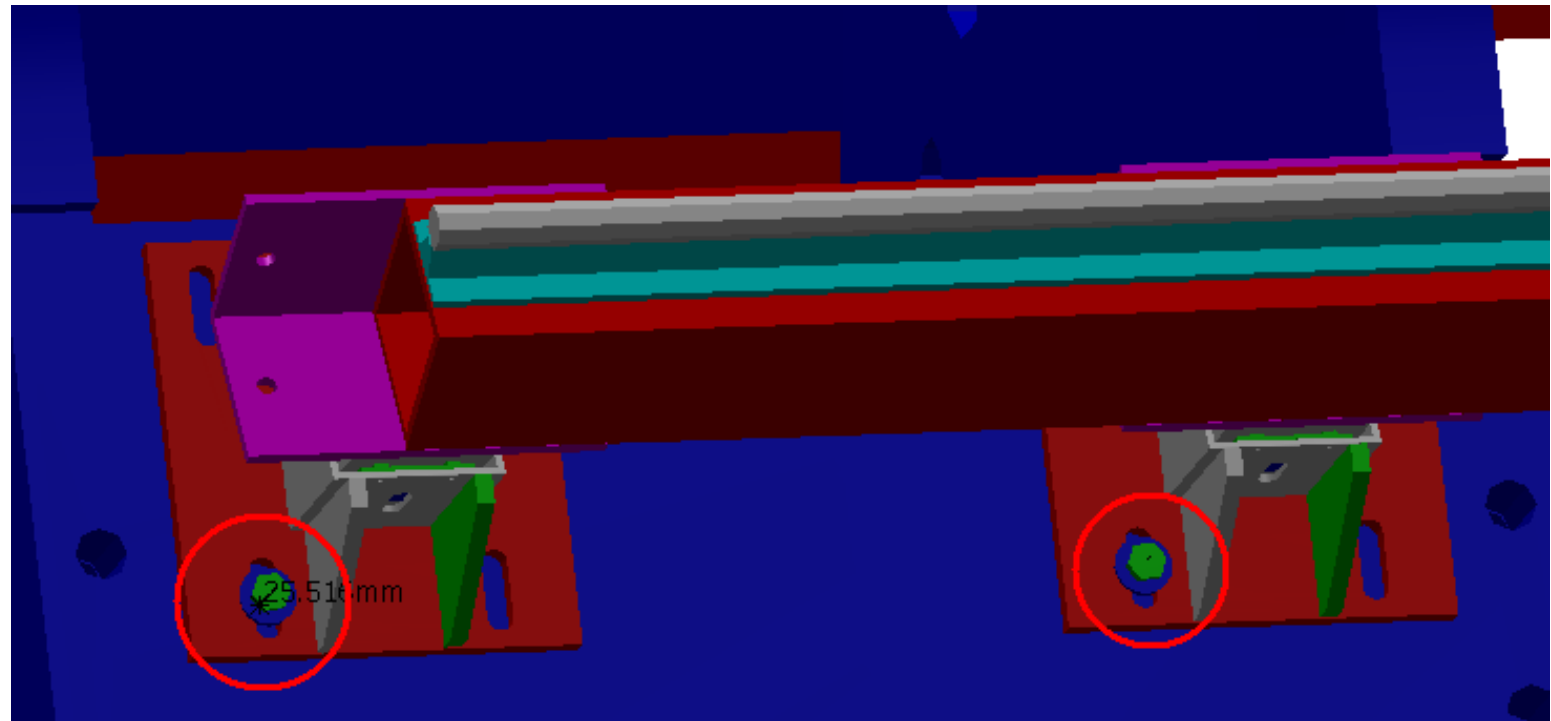
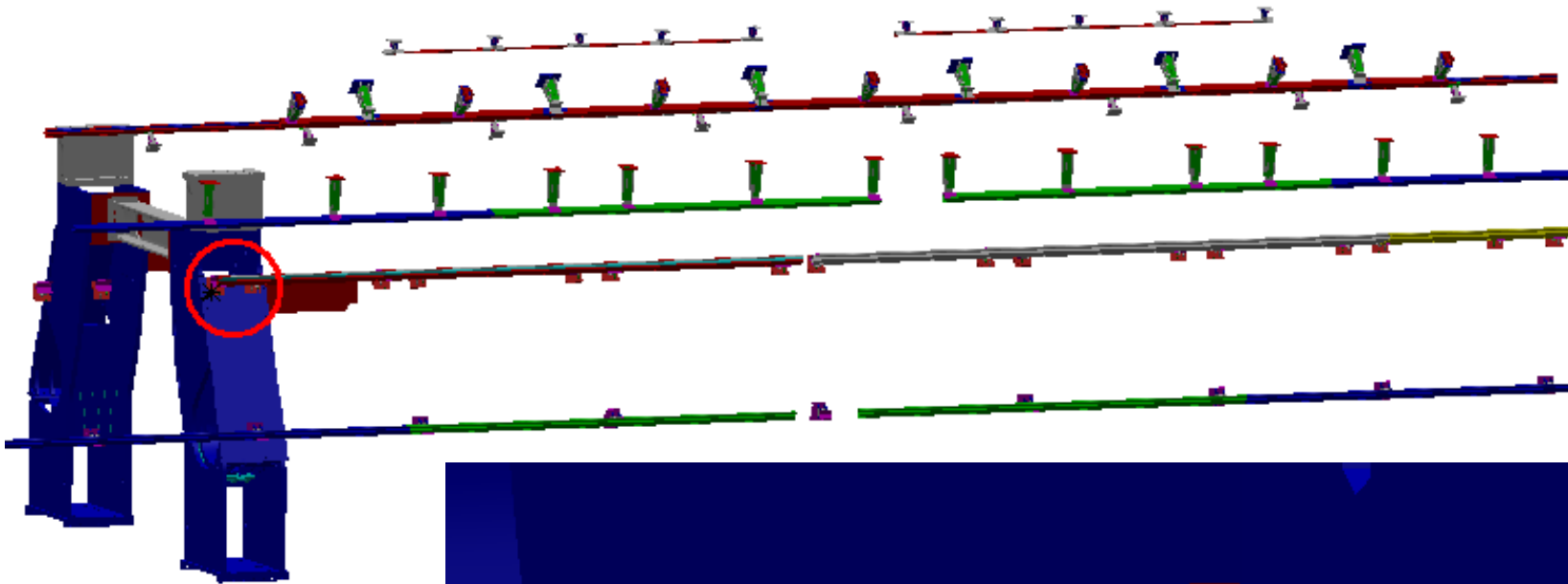
AT612359MQ – MUON SUPPORT,
SECT.11

ATCVHB_0004 M - STANDARD PAIR OF FEET A3
(C3) - DETAILED MODEL FOR STANDARDS

Clash

-25.5 mm

Not inspected

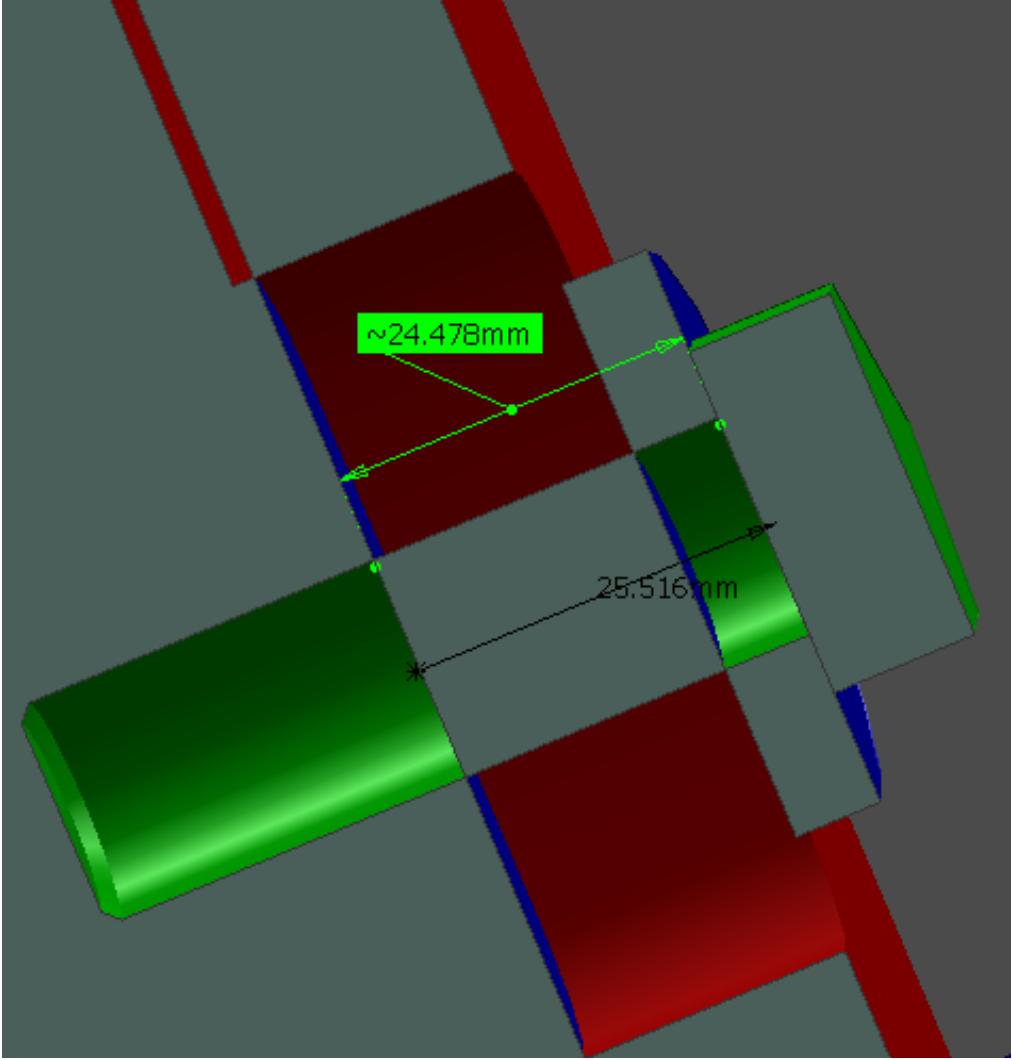
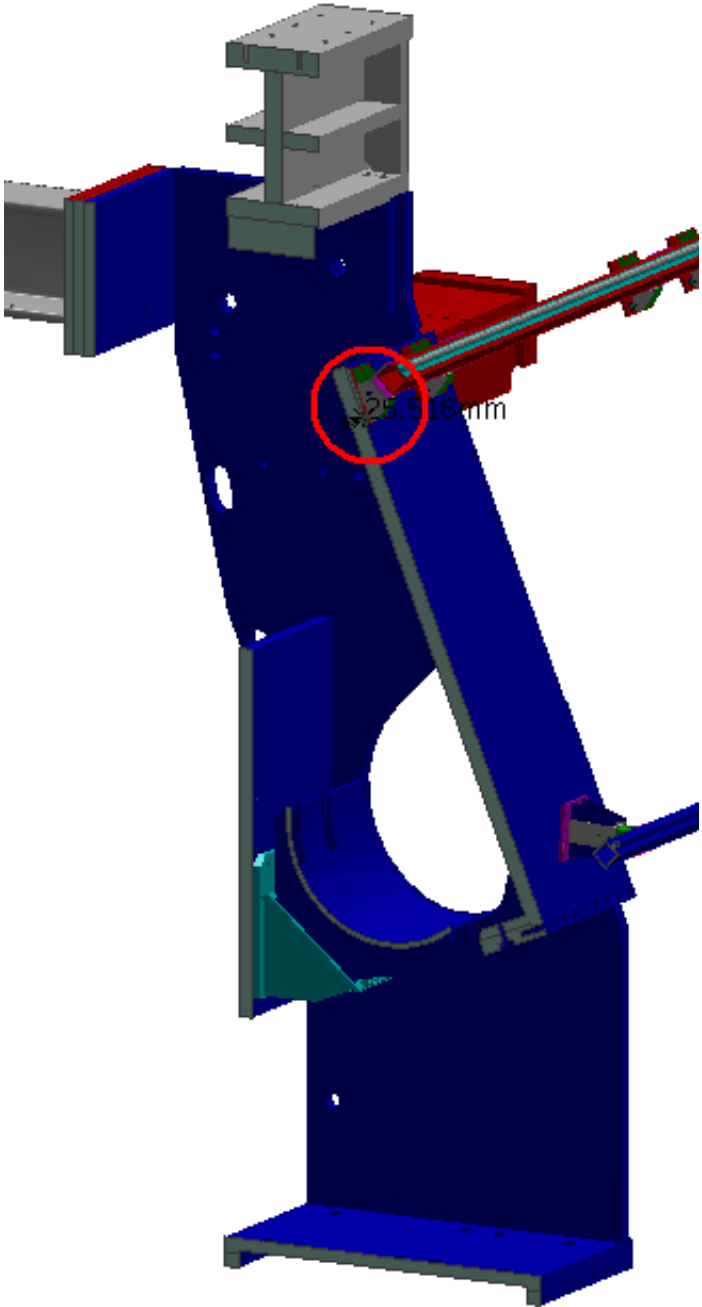


Clash value: ~ 25.5mm

SIDE C

Sector 11

Clash View:



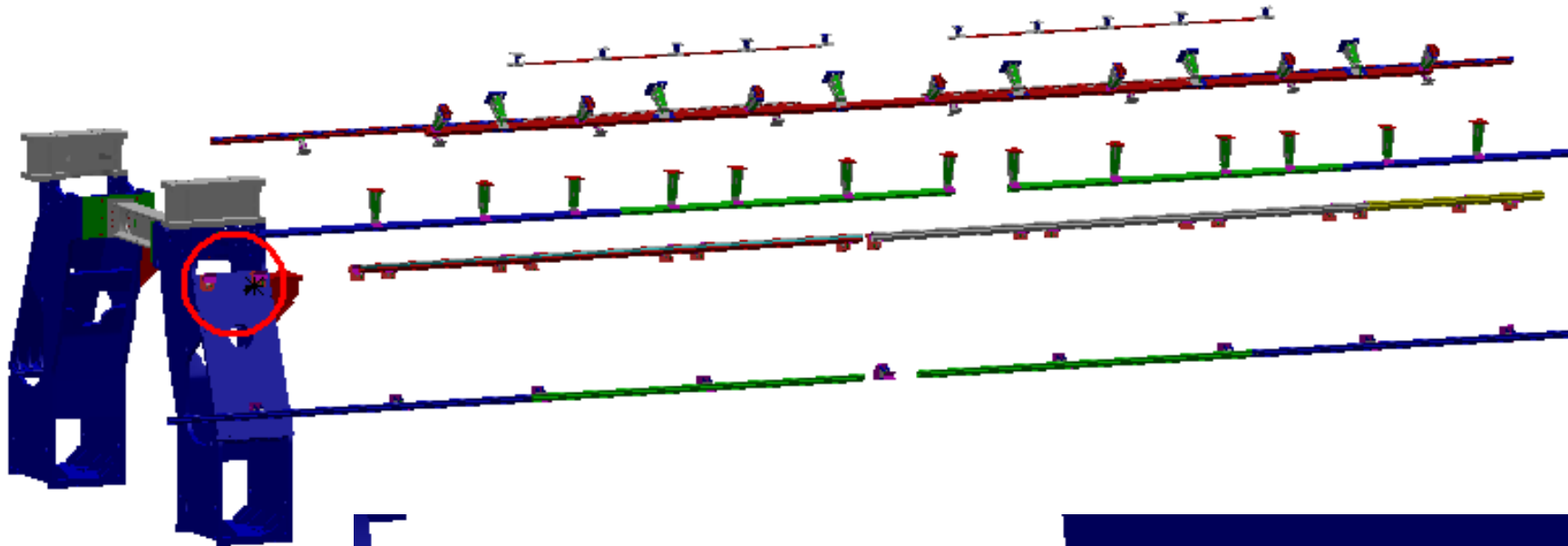
AT612359MQ – MUON SUPPORT,
SECT.11

ATCVHB_0005 M - EXTREMITY PAIR OF FEET A4
(C4) - DETAILED MODEL FOR STANDARDS

Clash

-26 mm

Not inspected

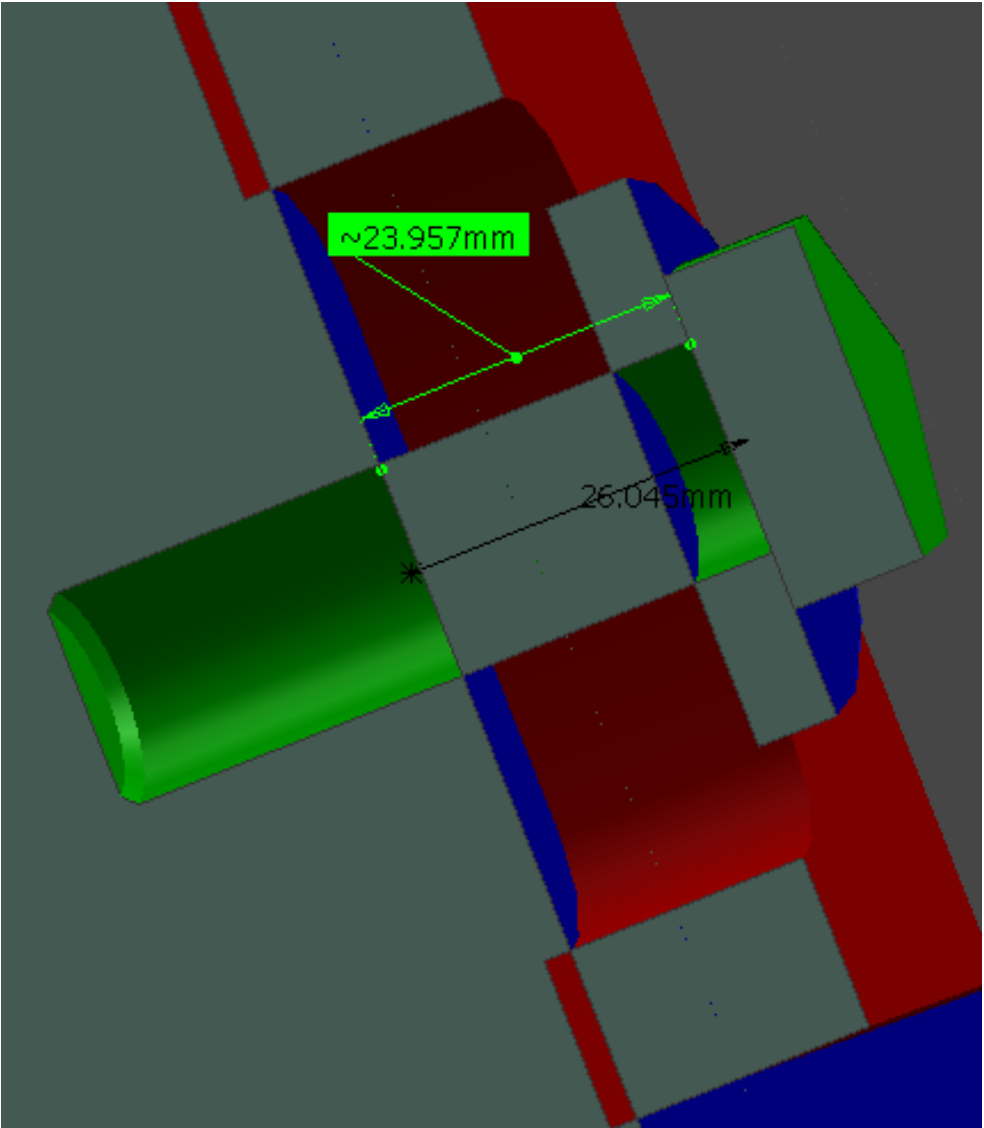
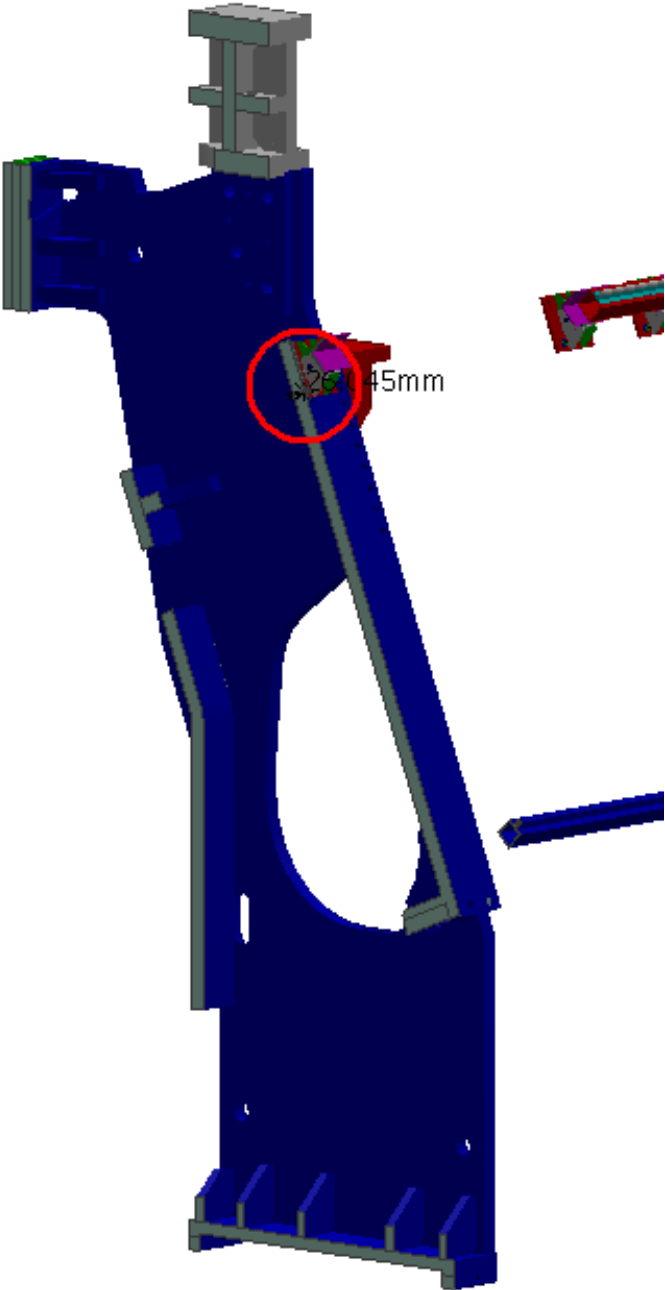


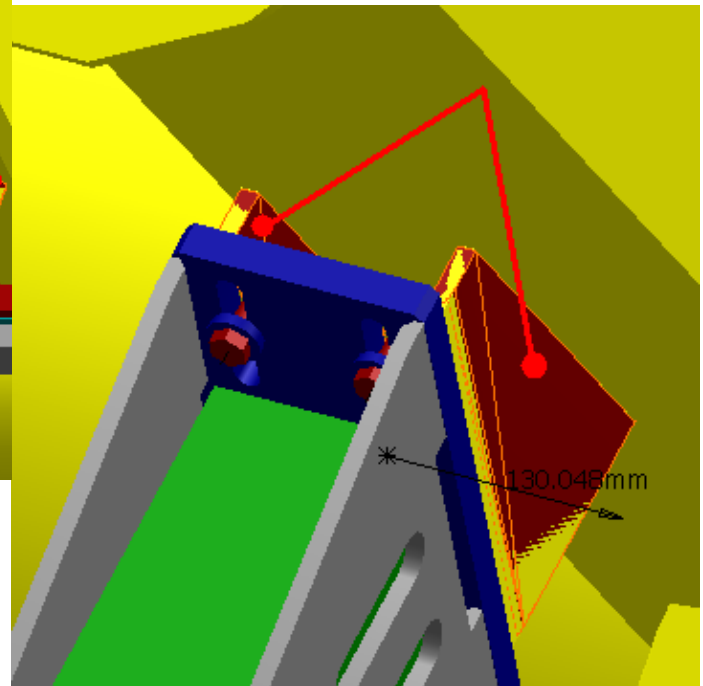
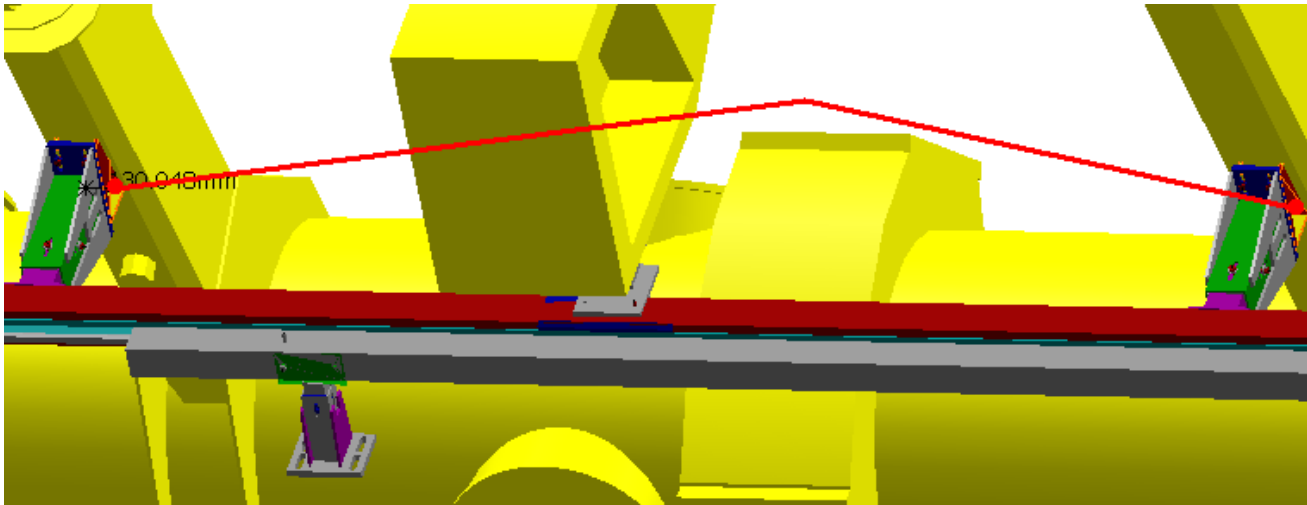
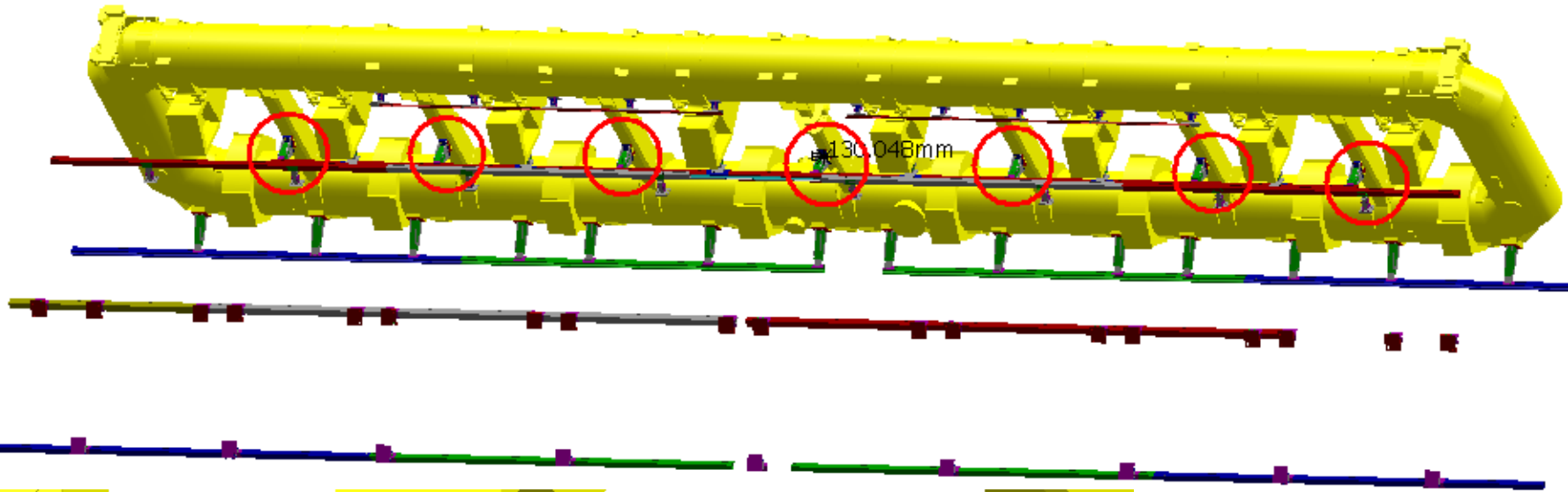
Clash value: ~ 26mm

SIDE C

Sector 11

Clash View:



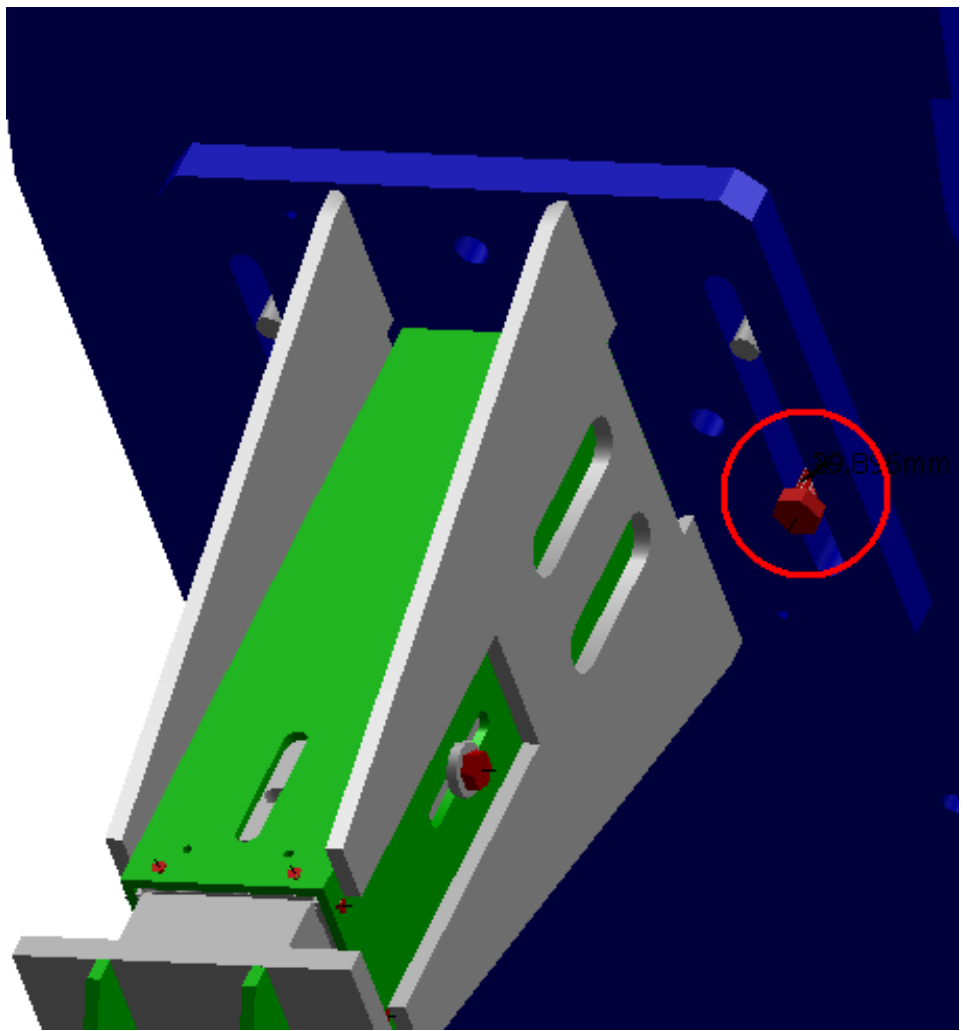
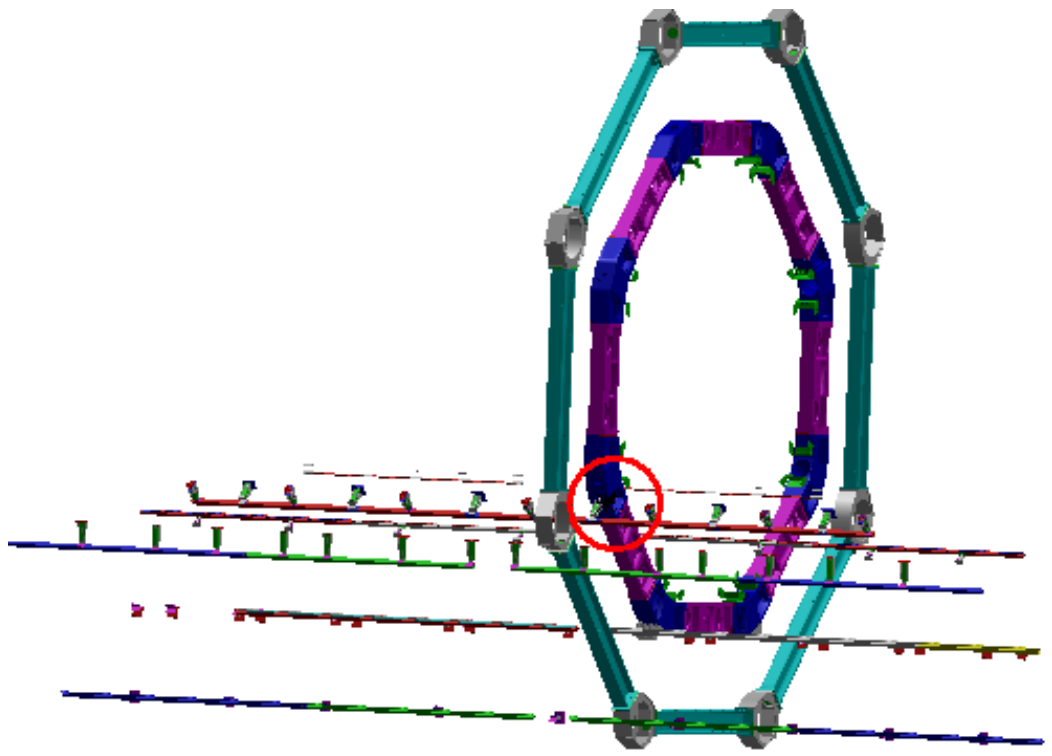


Clash value: ~ 130mm

SIDE A-C

Sector 11

The indicated parts belong to the both models.

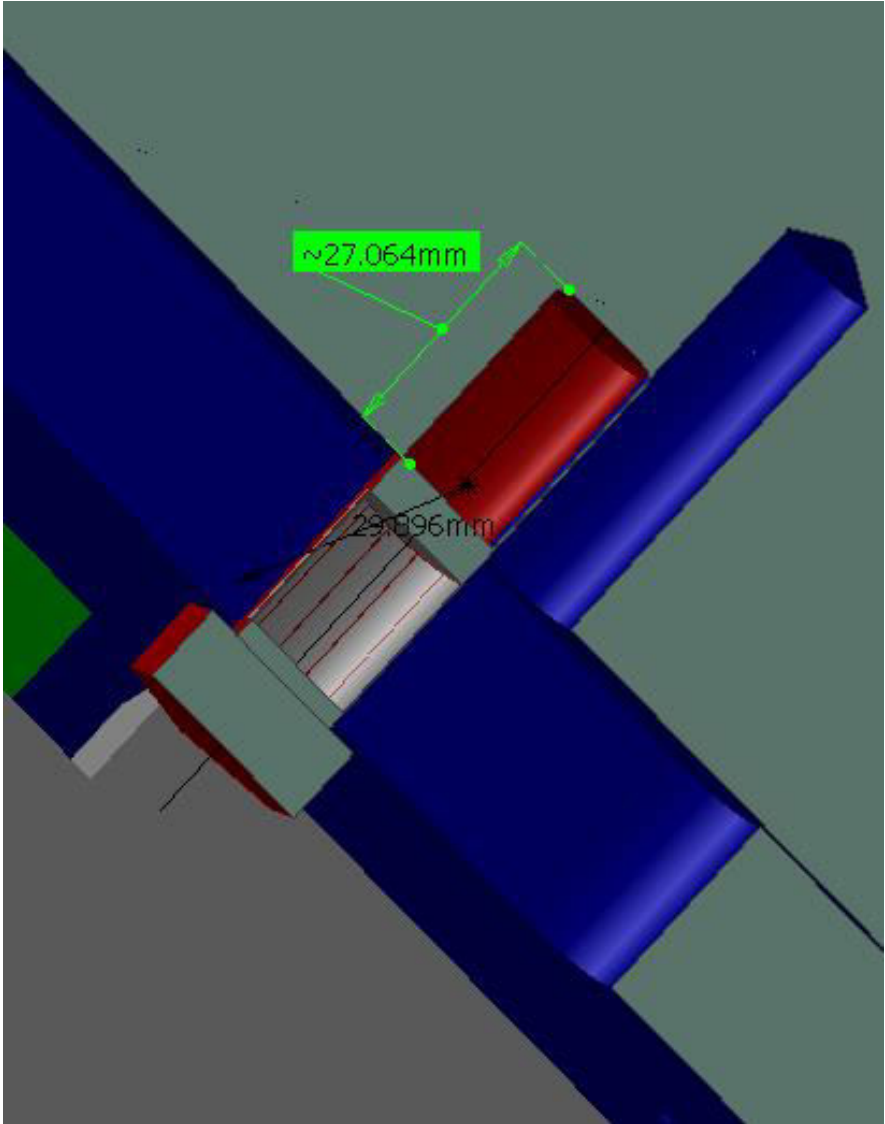
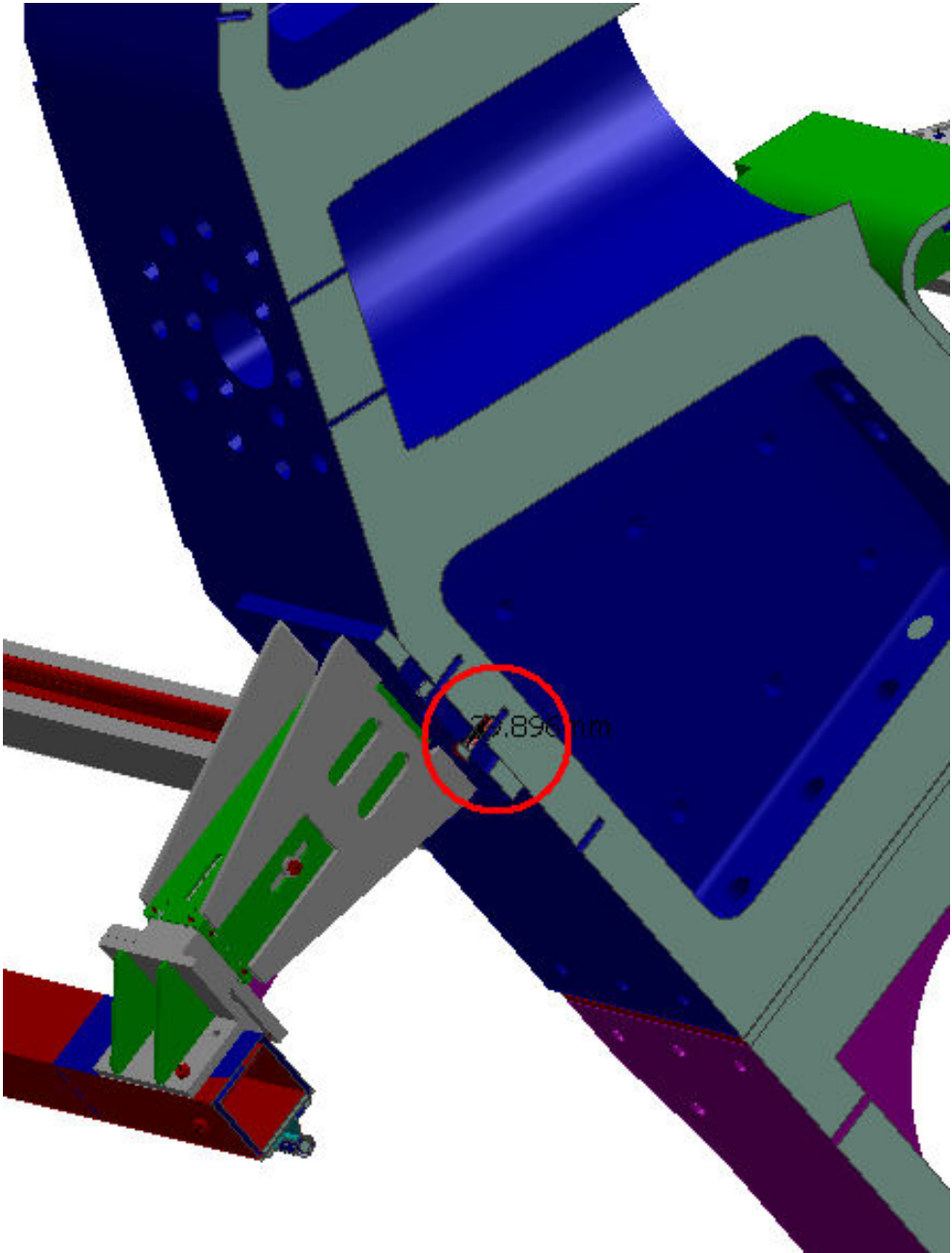


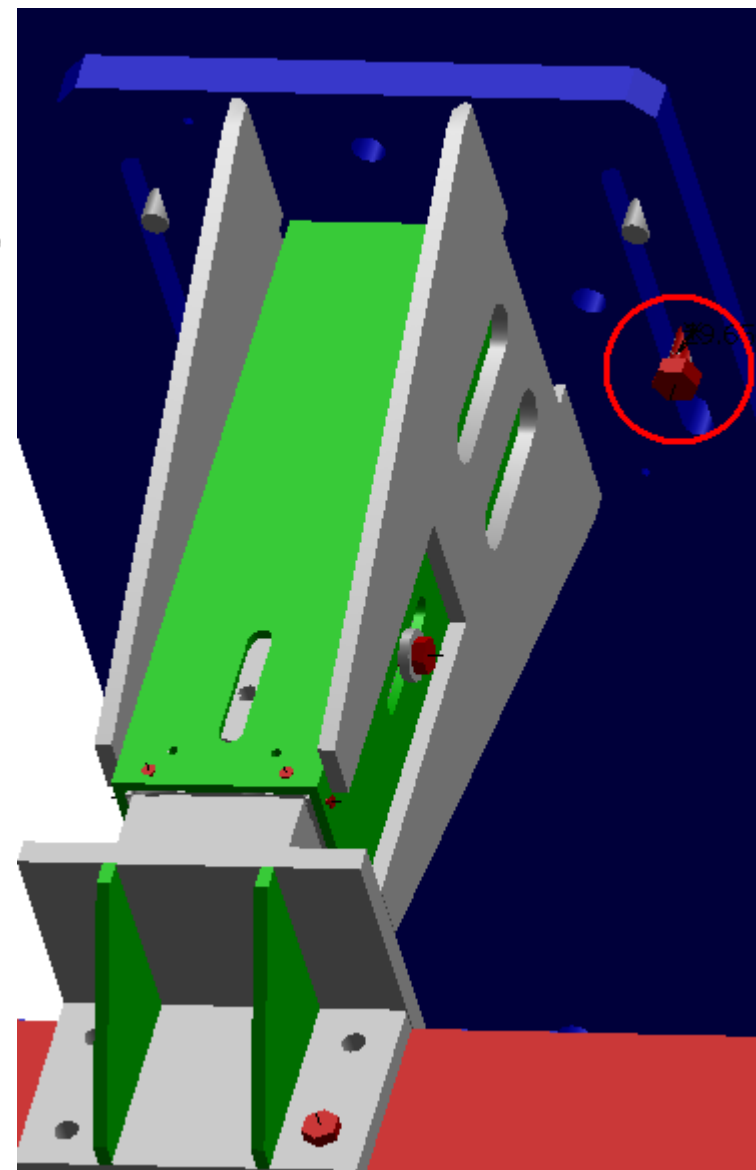
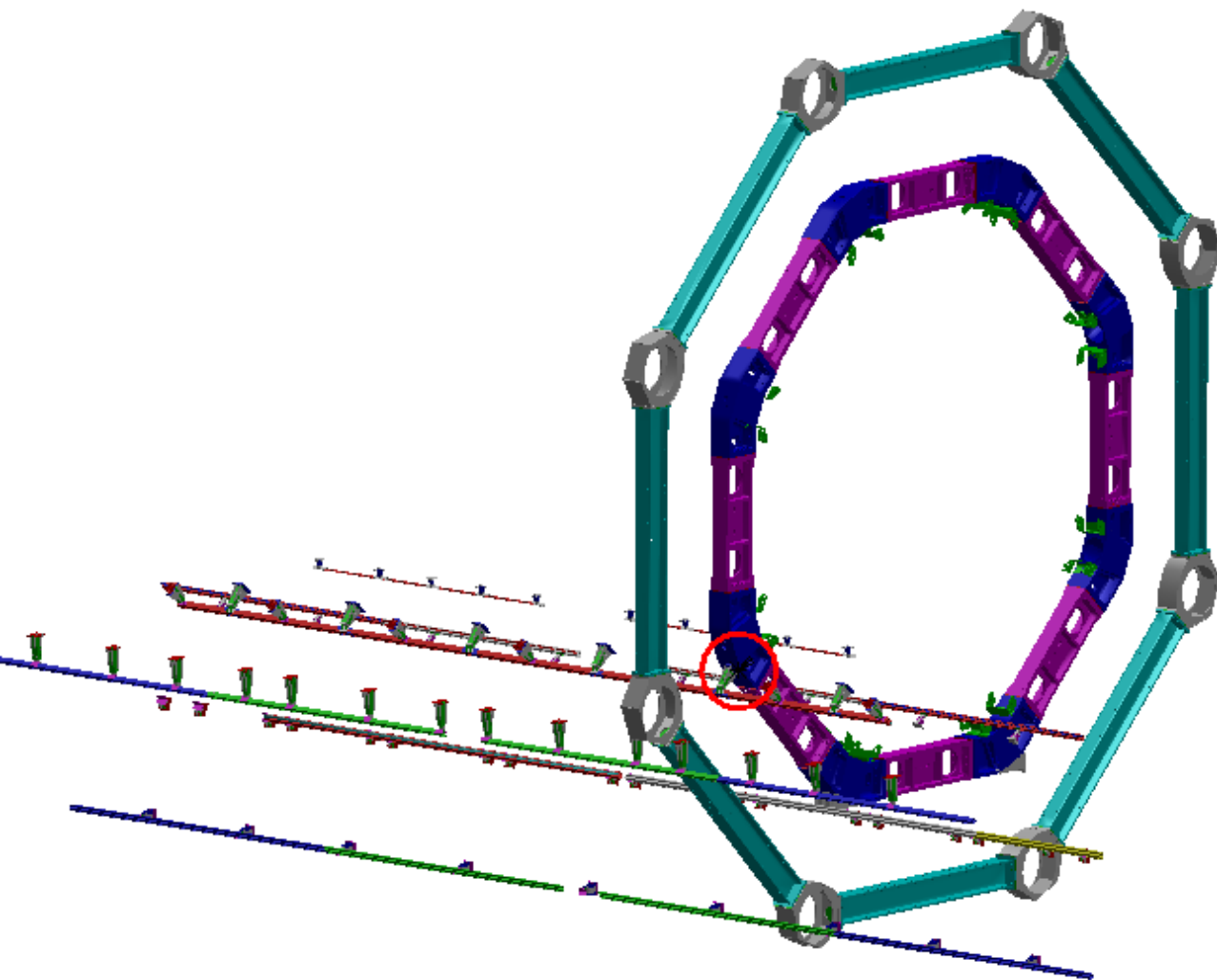
Clash value: ~ 29.9mm

SIDE A

Sector 11

Clash View:

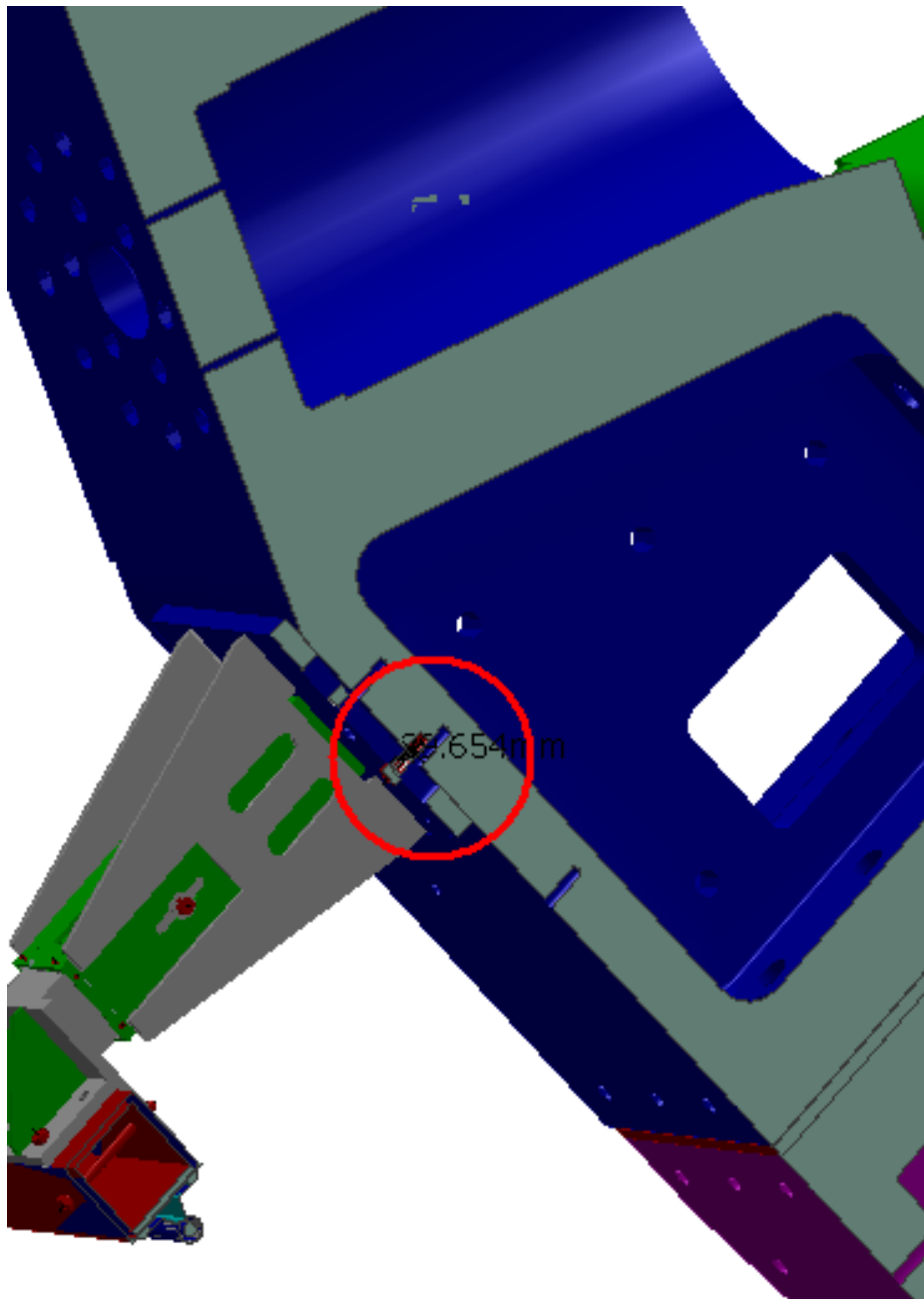




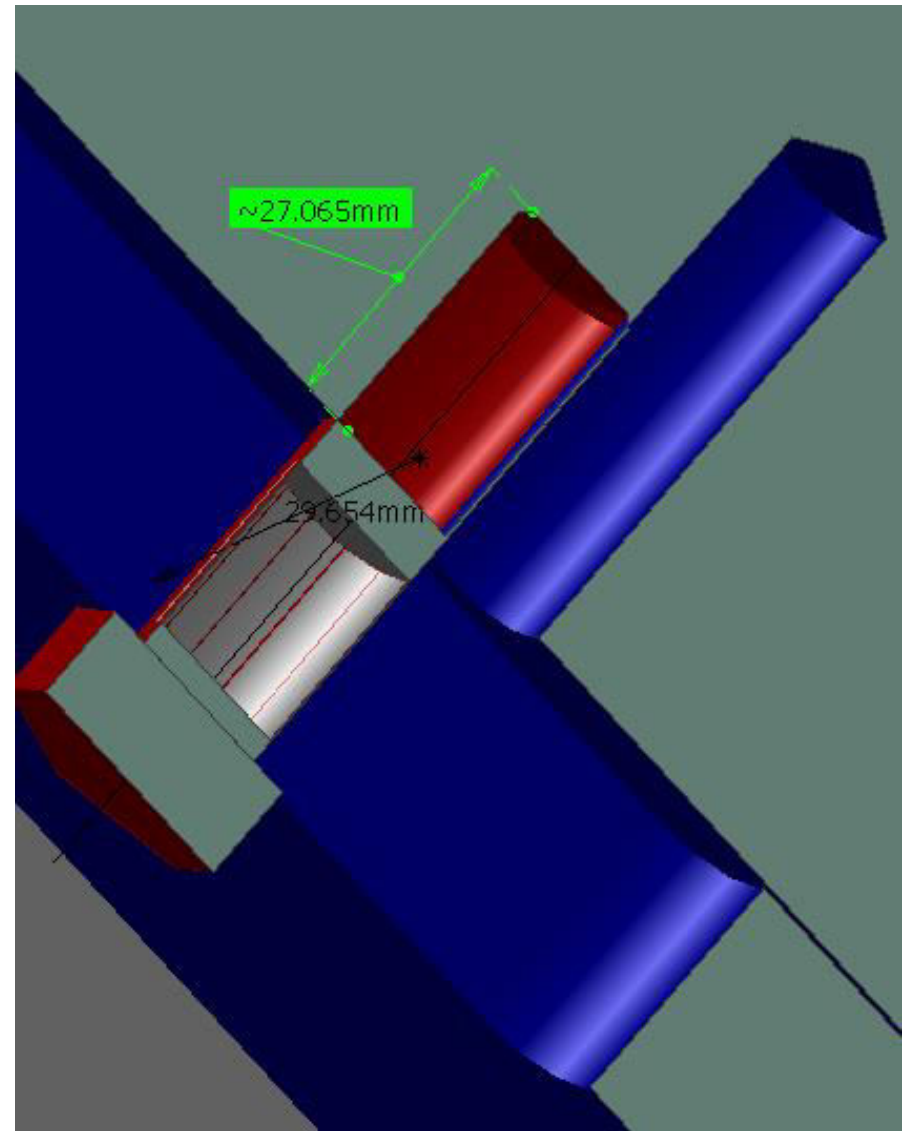
Clash value: ~ 29.6mm

SIDE A

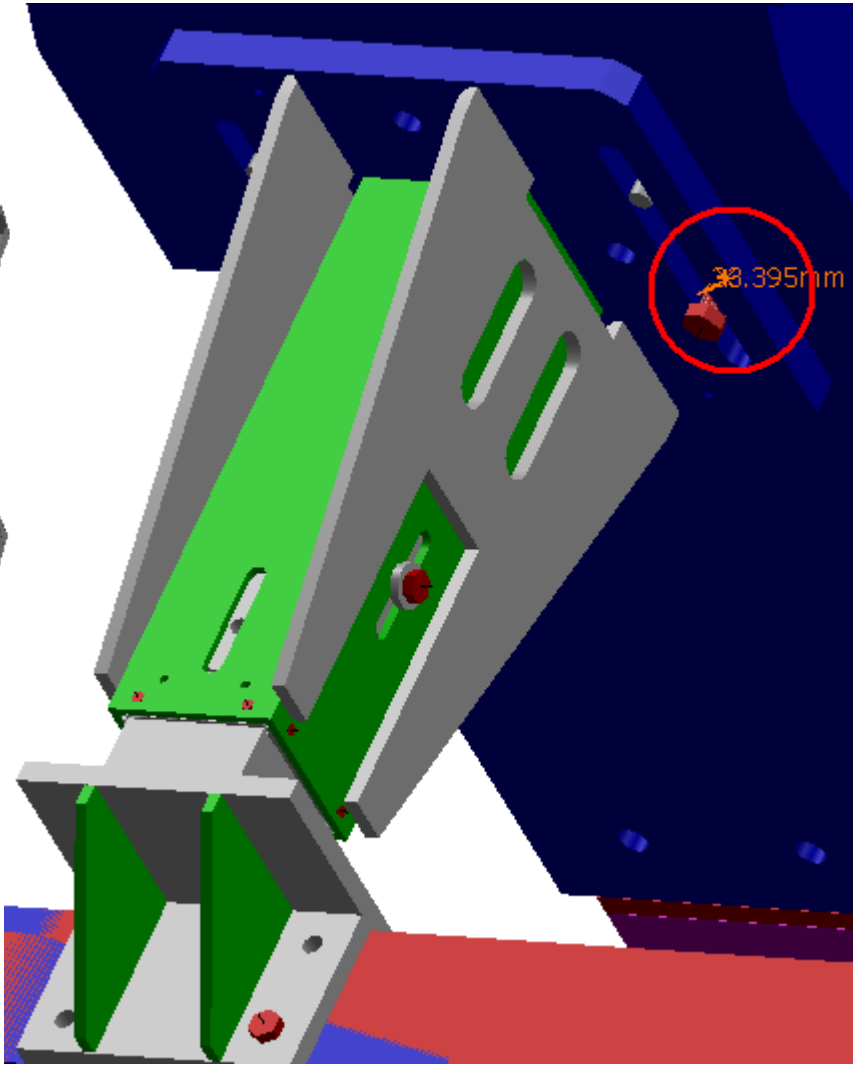
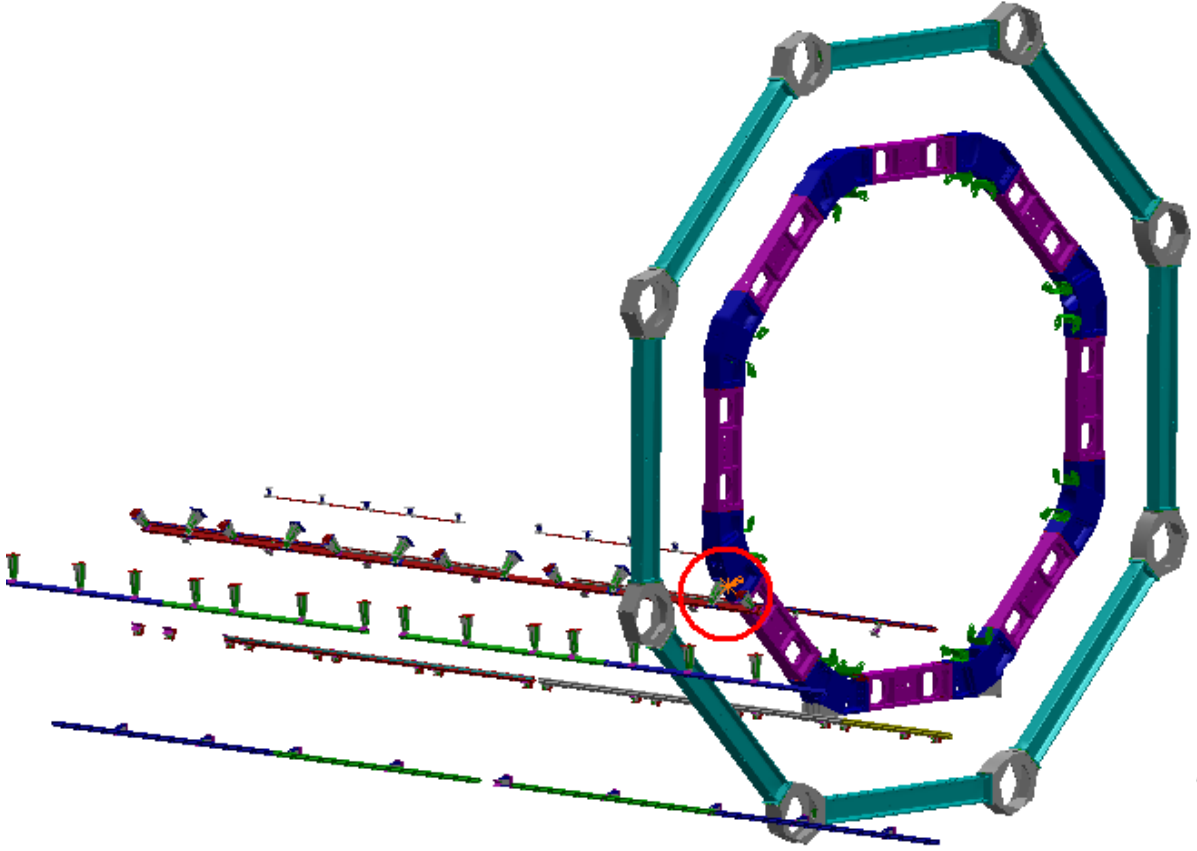
Sector 11



Clash View:



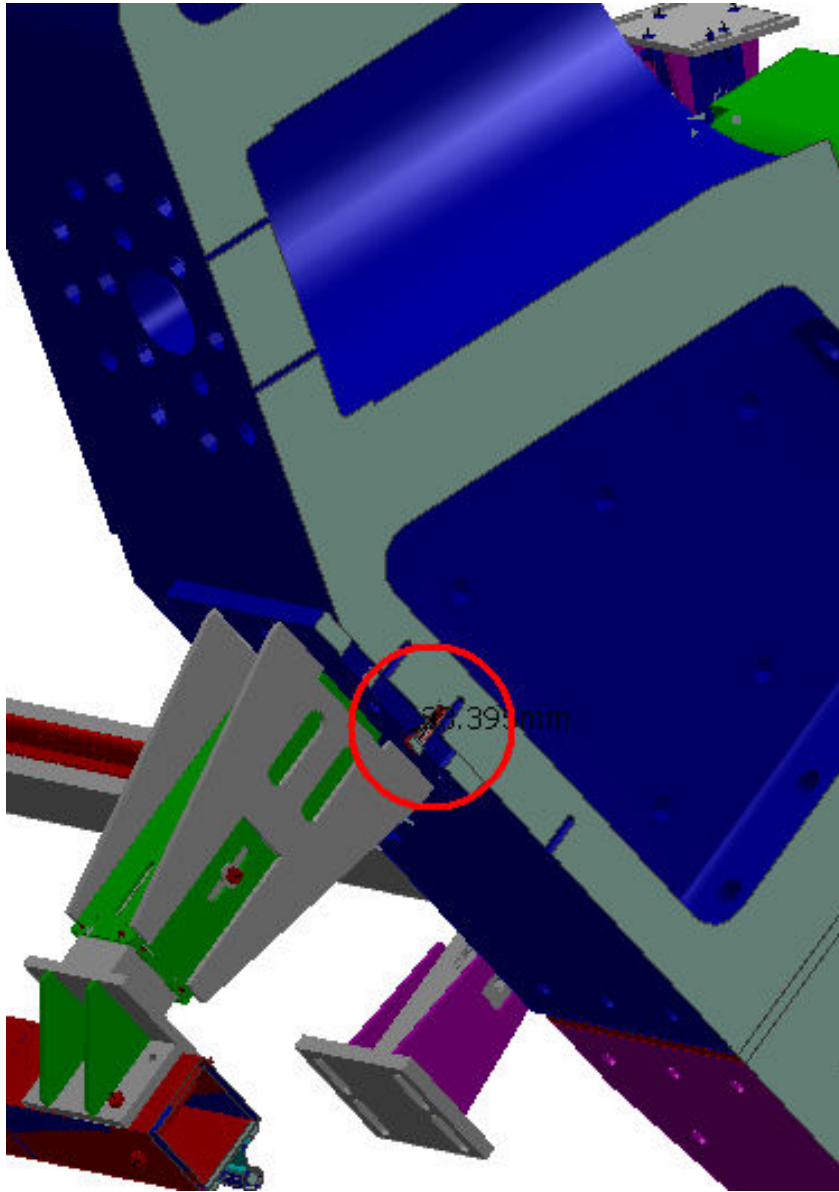
AT612359MQ – MUON SUPPORT, SECT.11	AT812128MQ - WARM STRUCTURE	Clash	-33.4 mm	Not inspected
------------------------------------	-----------------------------	-------	----------	---------------



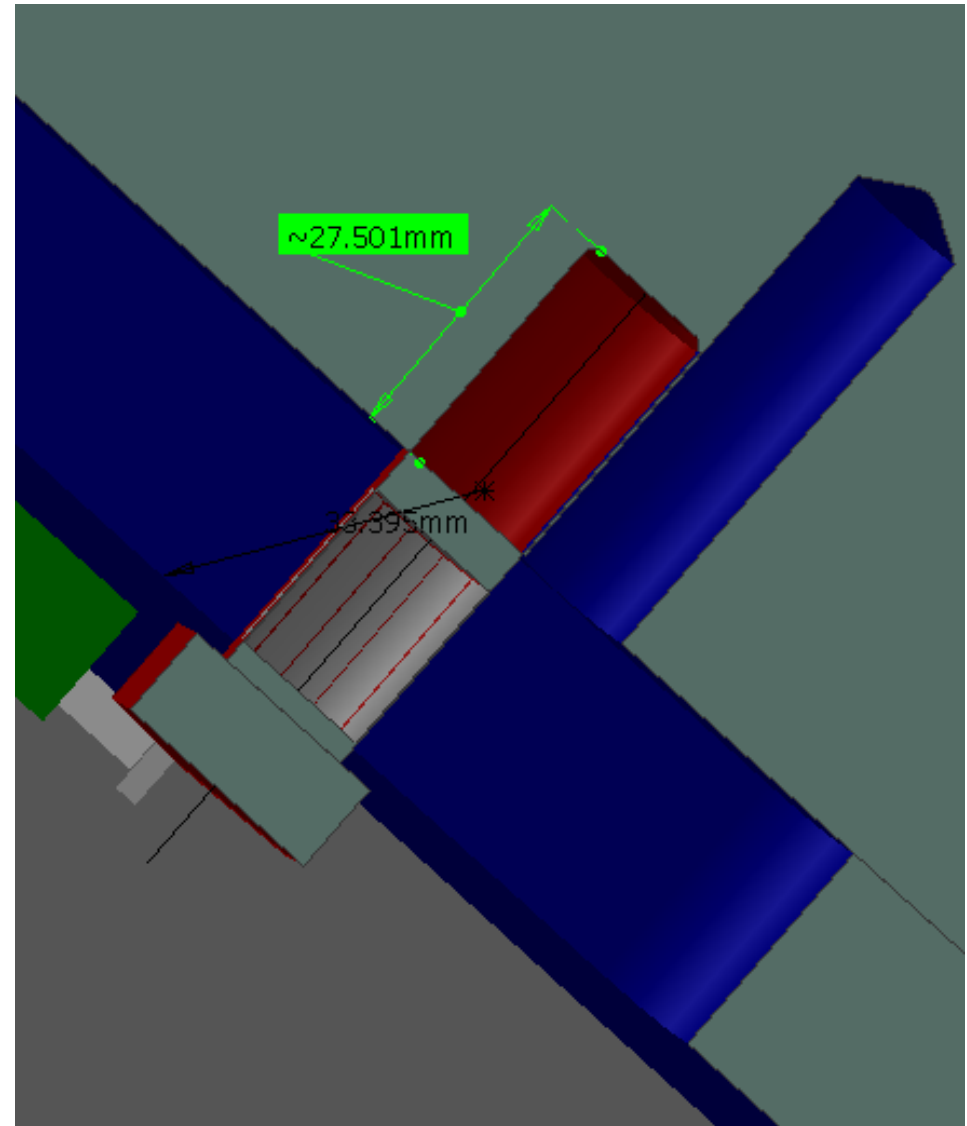
Clash value: ~ 33.4mm

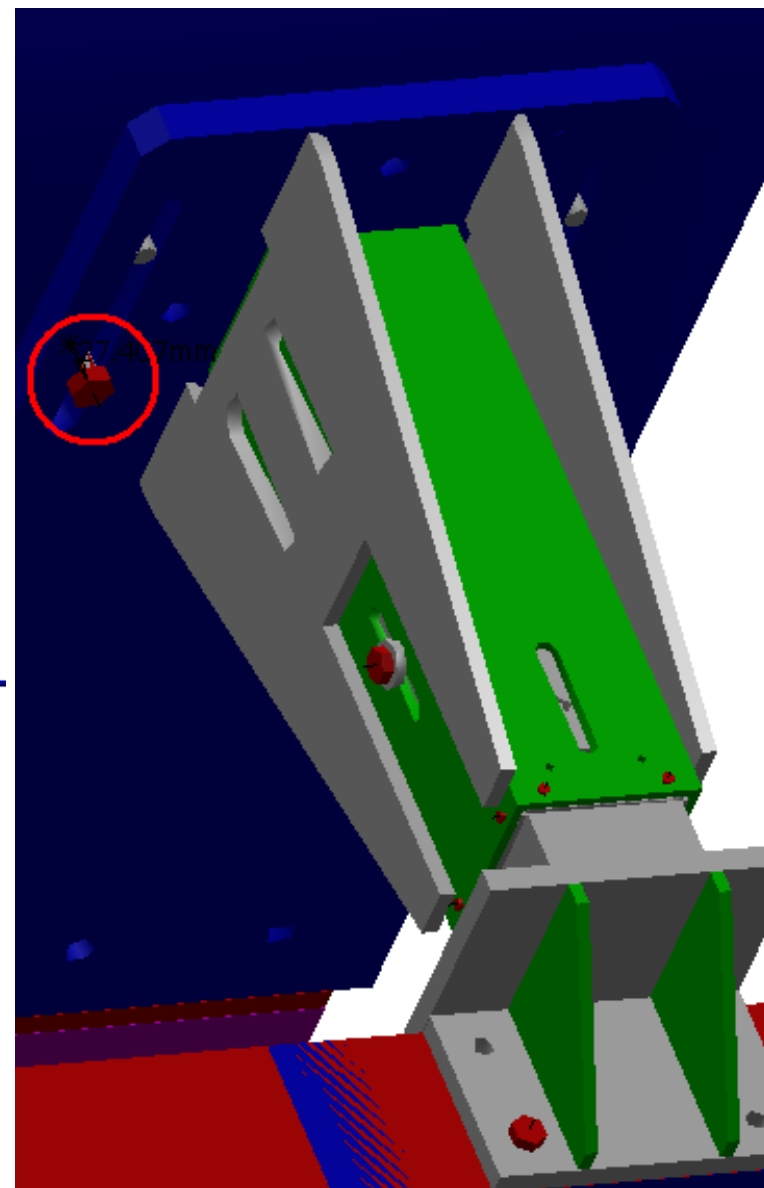
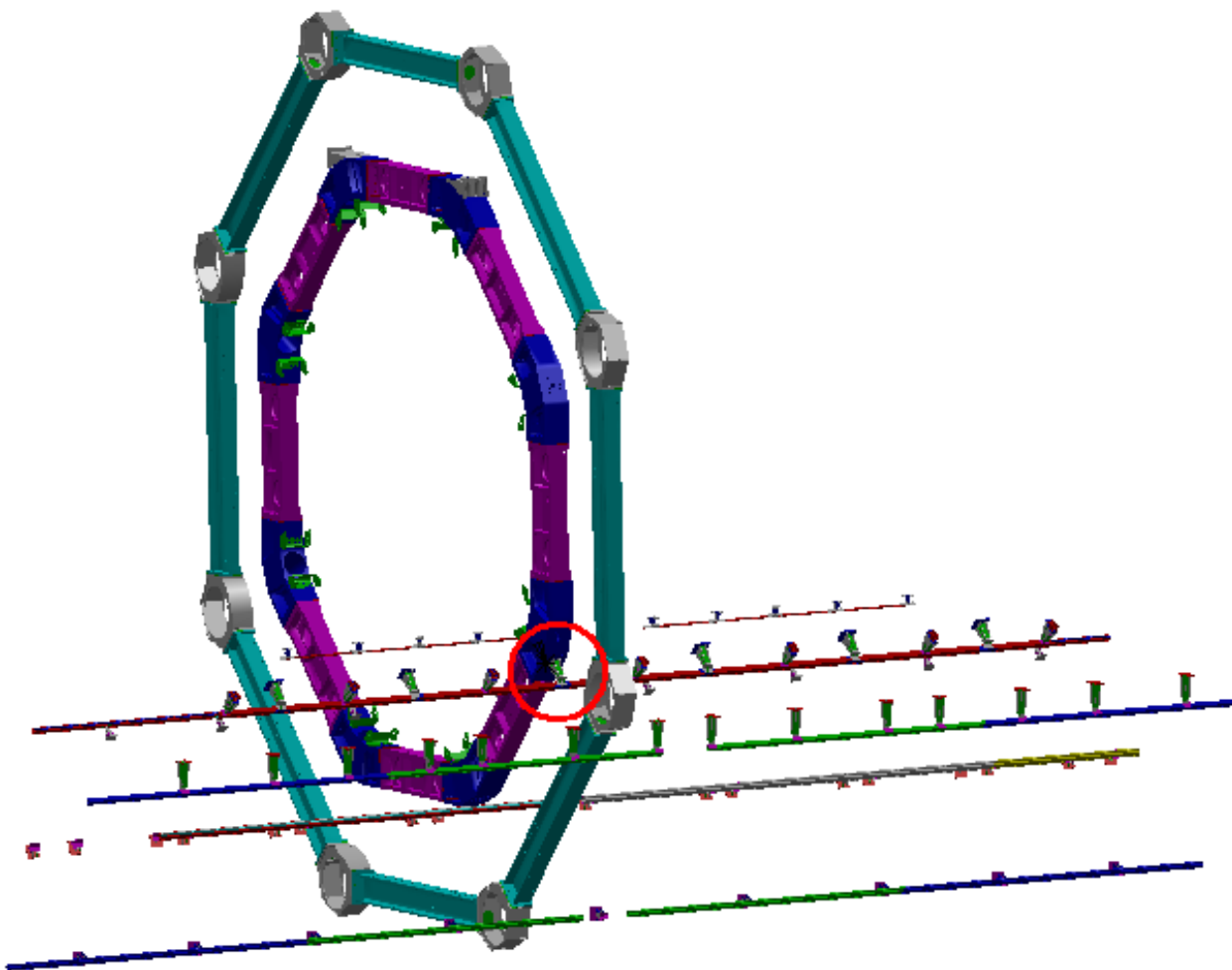
SIDE A

Sector 11



Clash View:

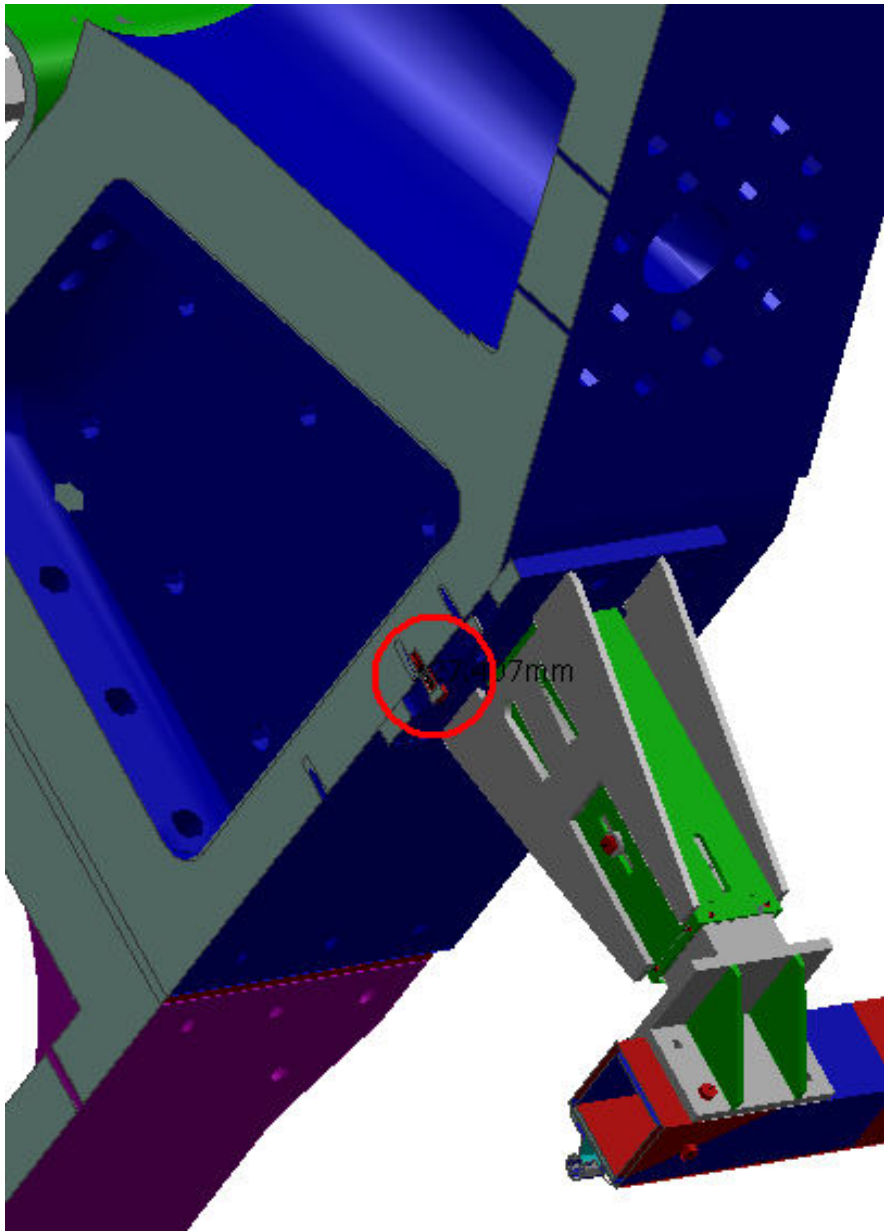




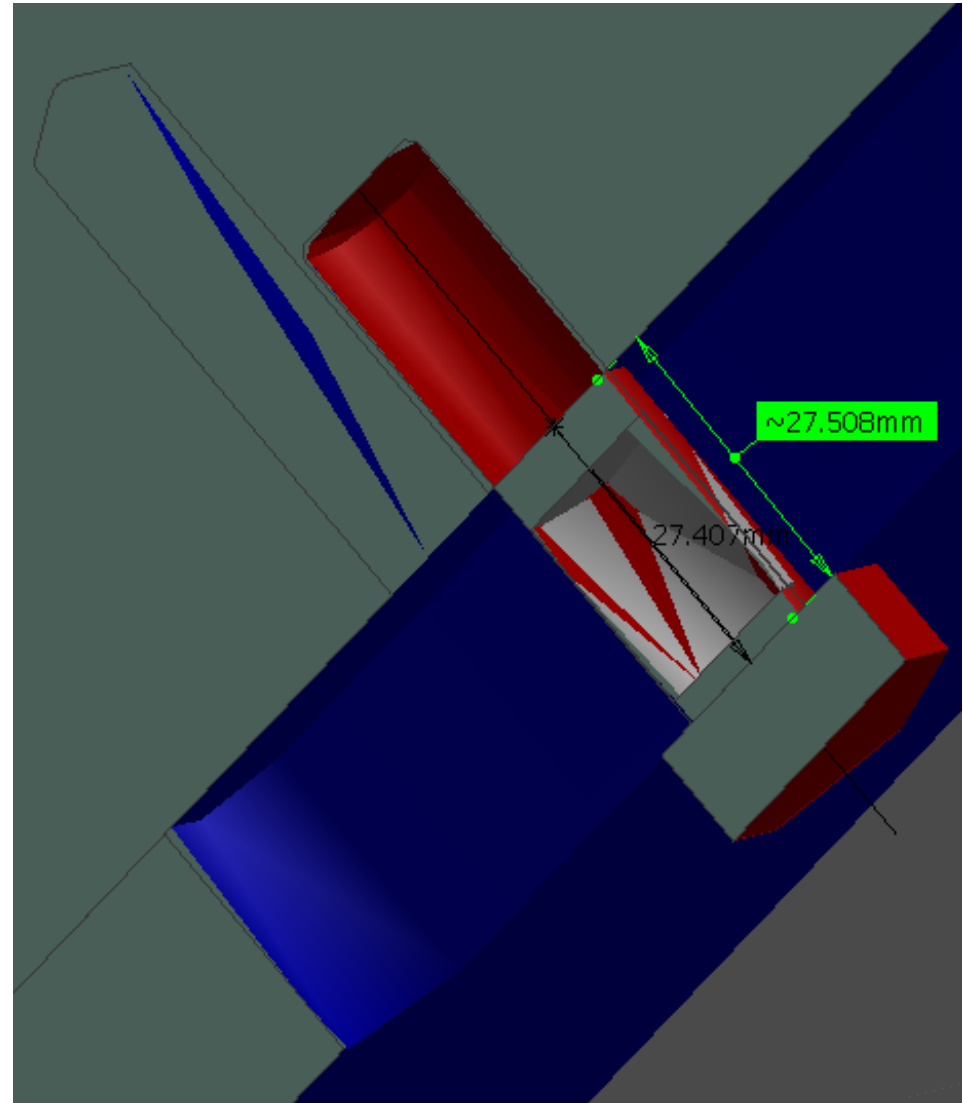
Clash value: ~ 27.4mm

SIDE C

Sector 11



Clash View:



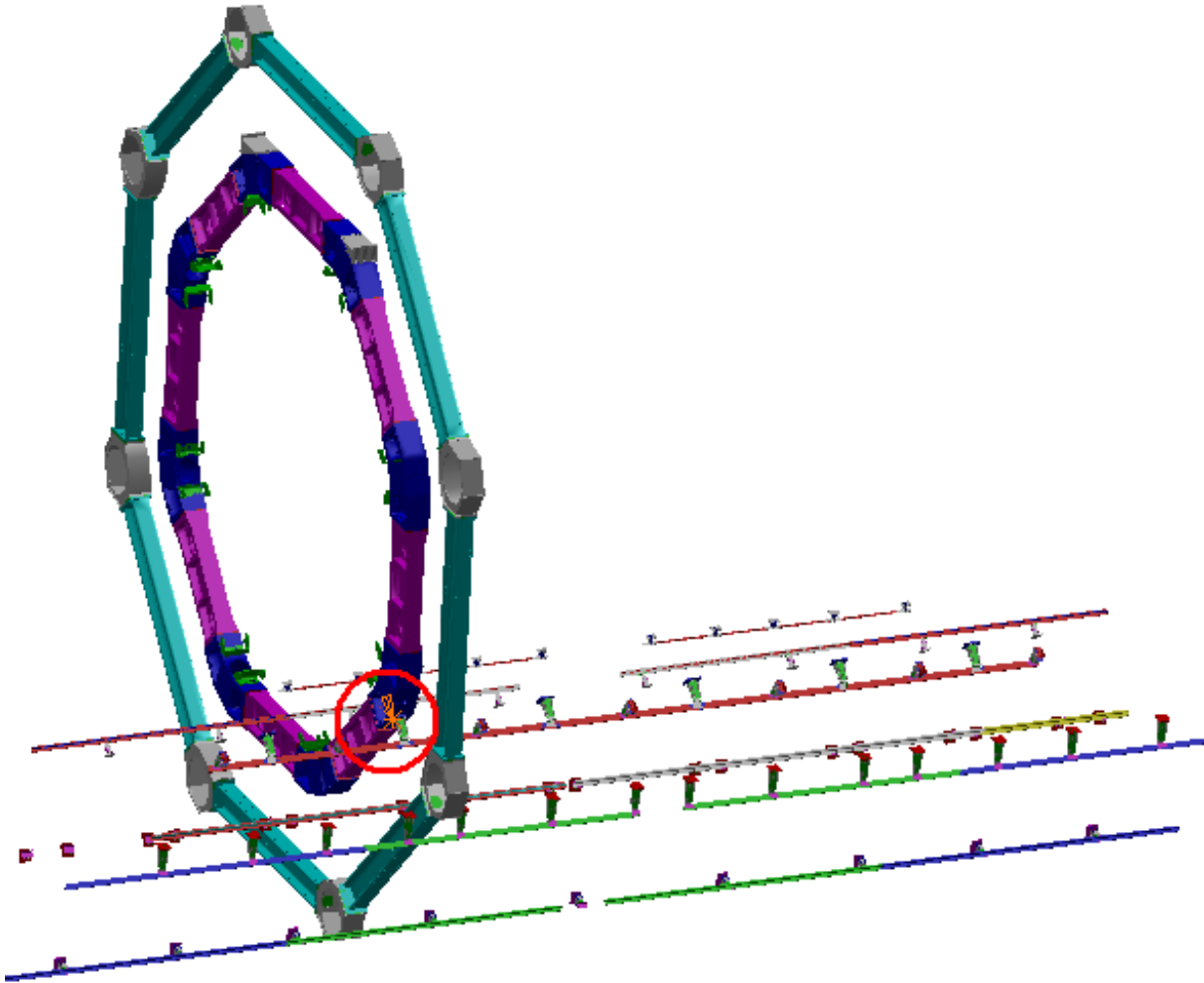
AT612359MQ – MUON SUPPORT, SECT.11

AT812127MQ-M - WARM STRUCTURE

Clash

-27.5 mm

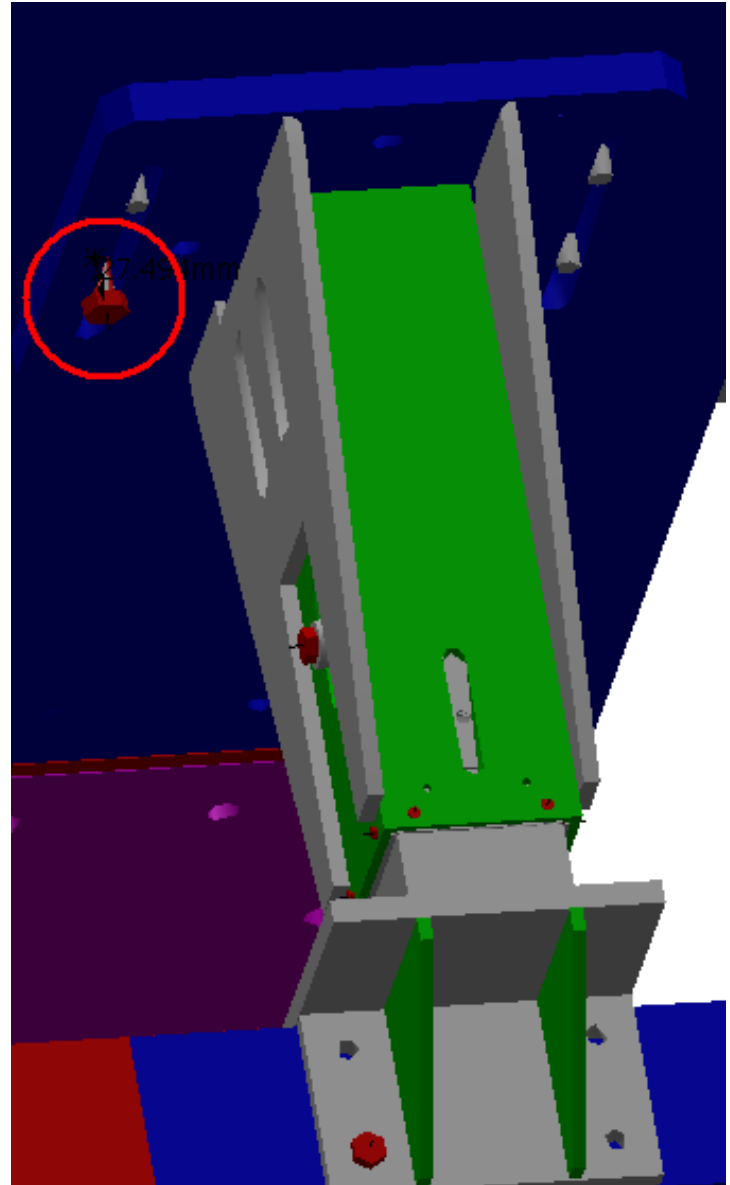
Not inspected



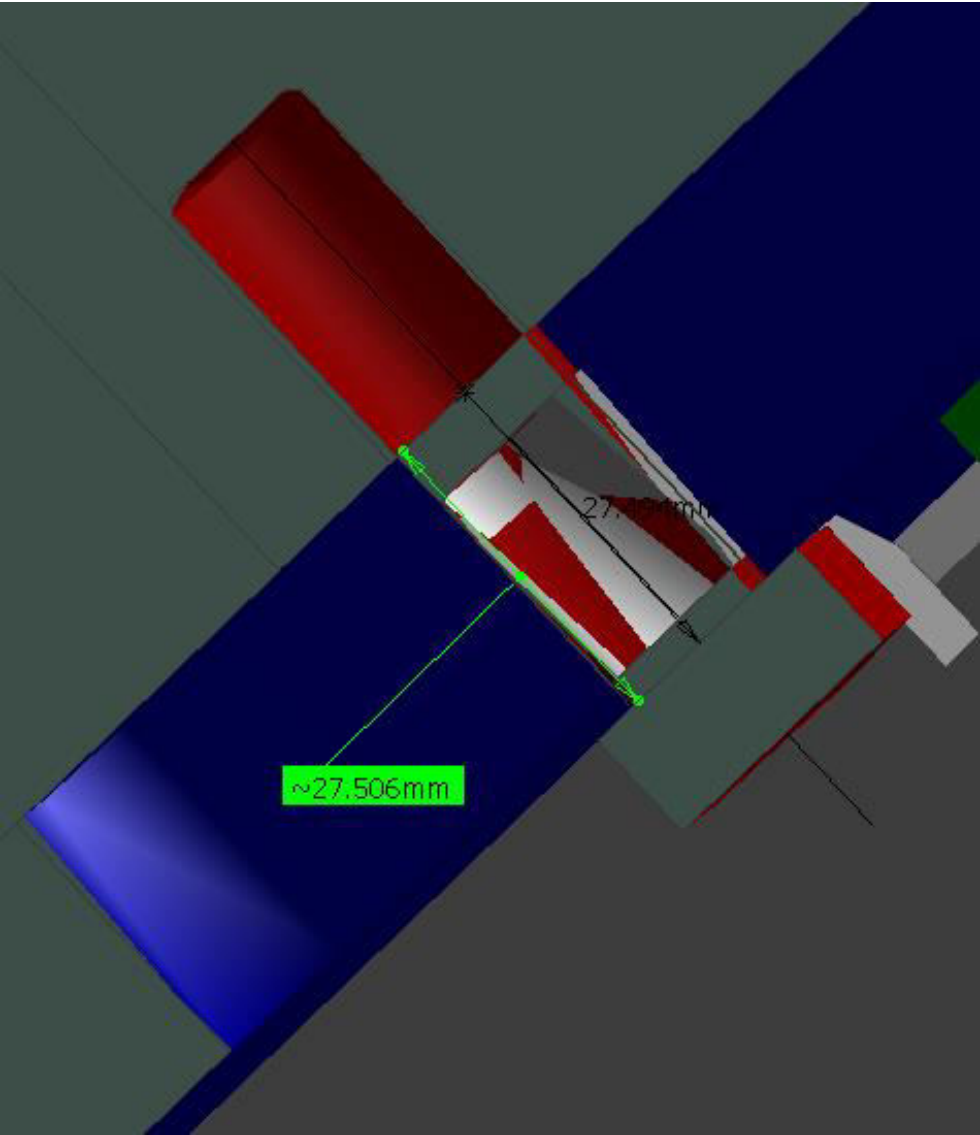
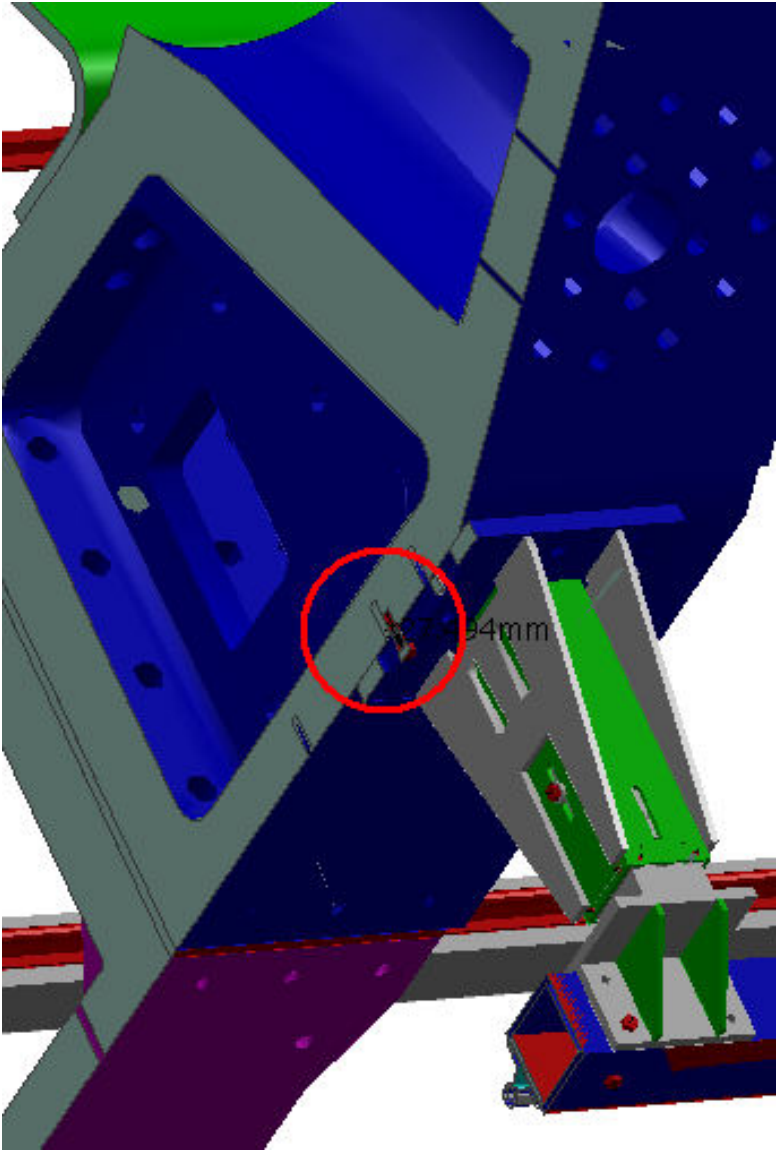
Clash value: ~ 27.5mm

SIDE C

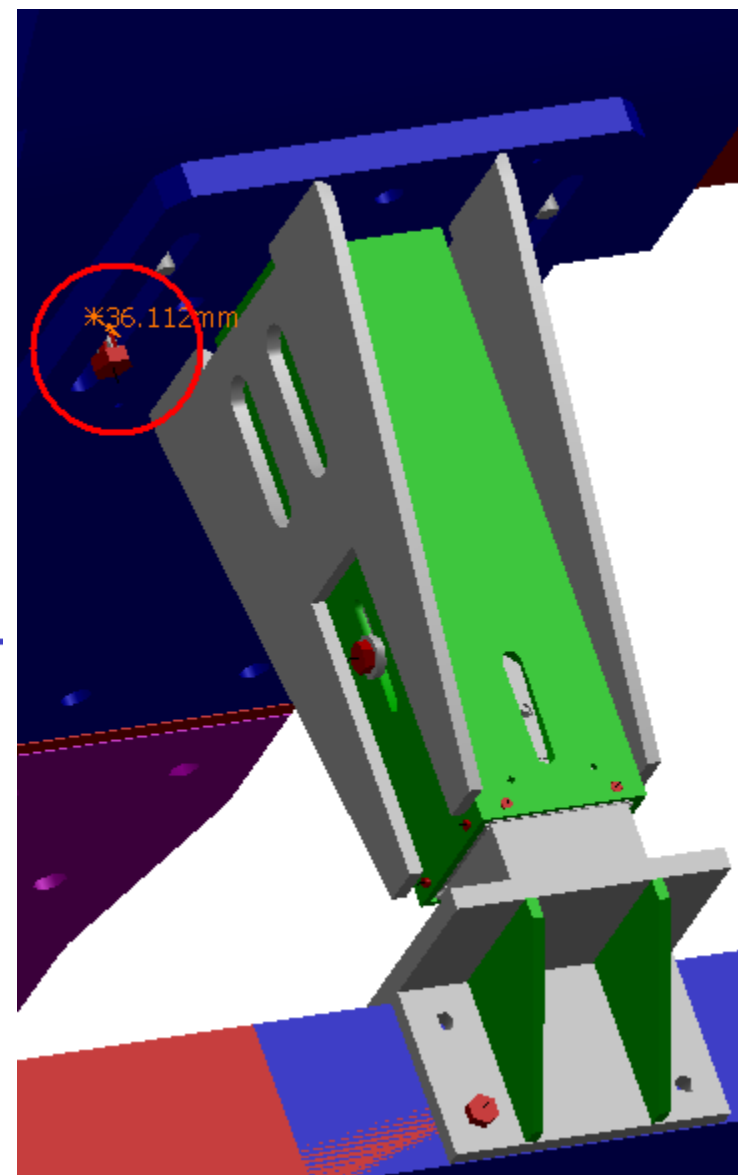
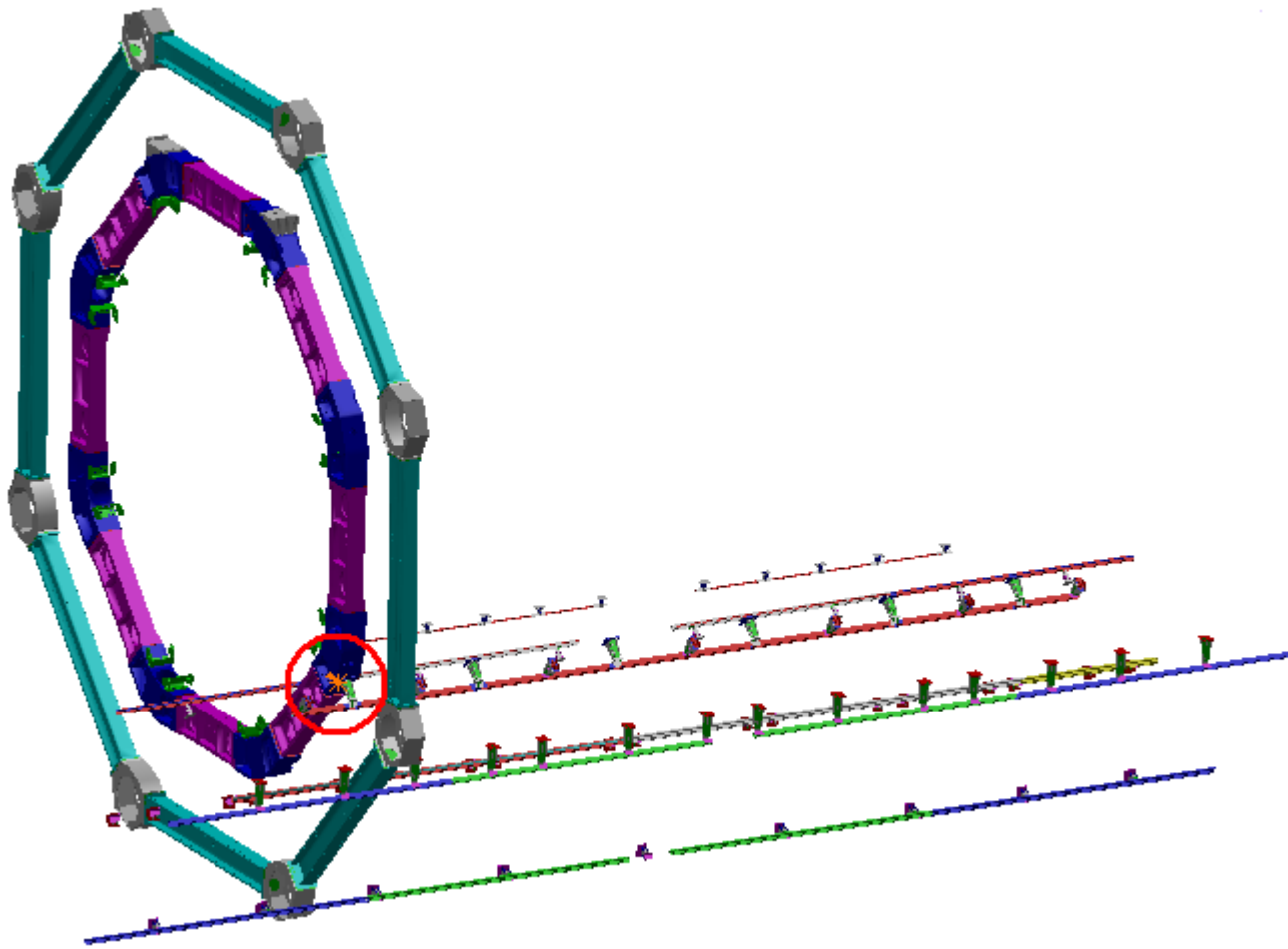
Sector 11



Clash View:



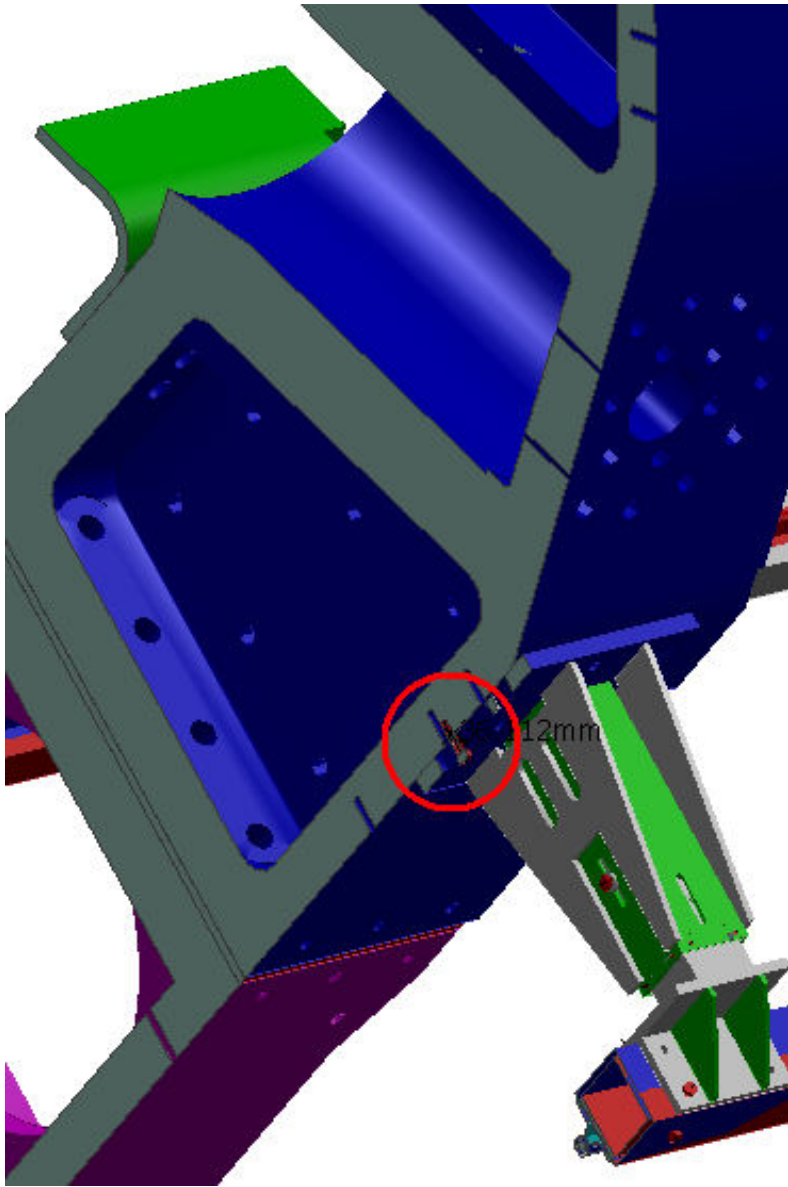
AT612359MQ – MUON SUPPORT, SECT.11	AT812128MQ-M - WARM STRUCTURE	Clash	-36.1 mm	Not inspected
------------------------------------	-------------------------------	-------	----------	---------------



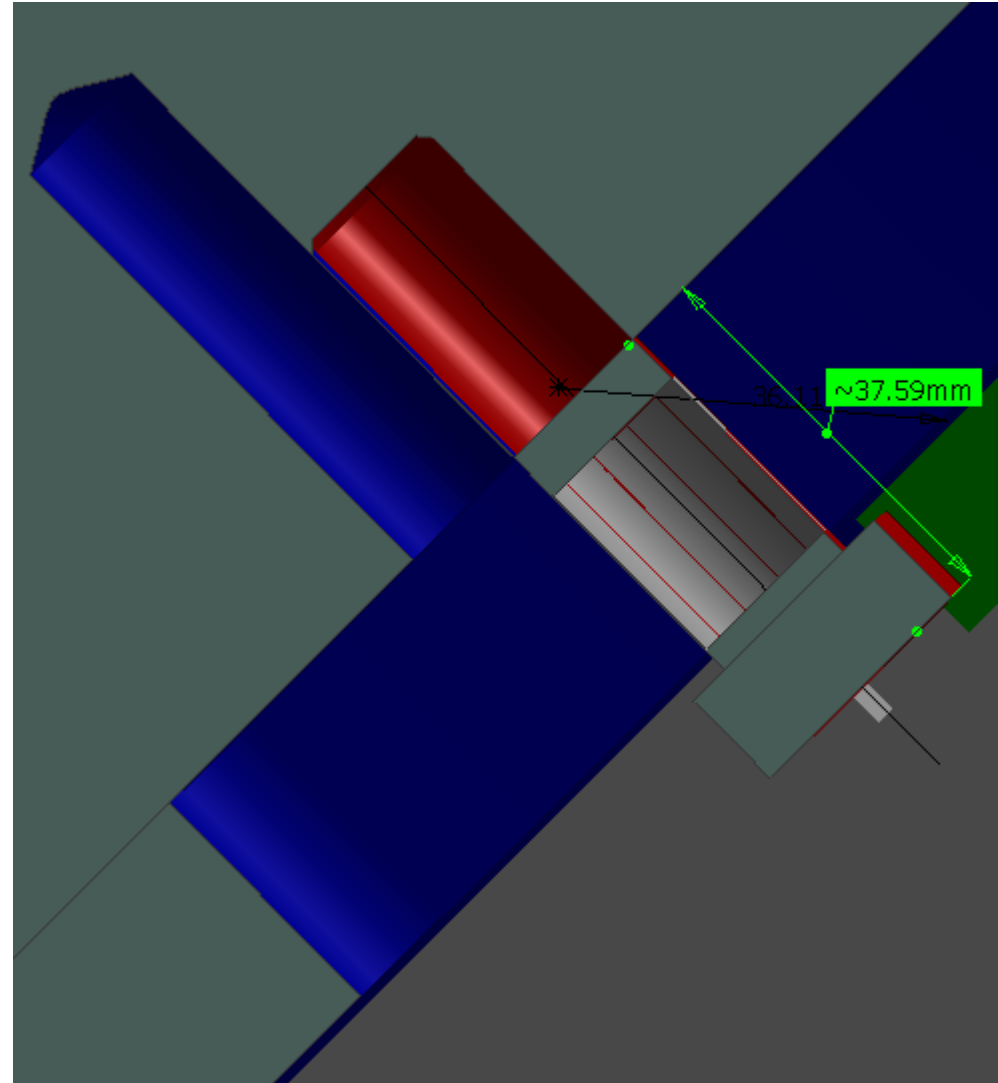
Clash value: ~ 36.1mm

SIDE C

Sector 11



Clash View:



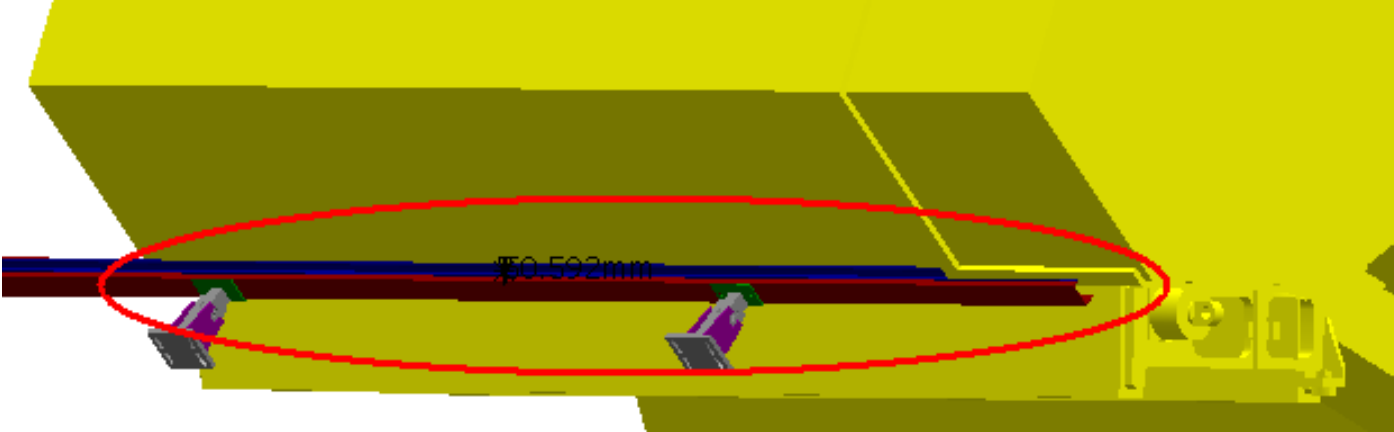
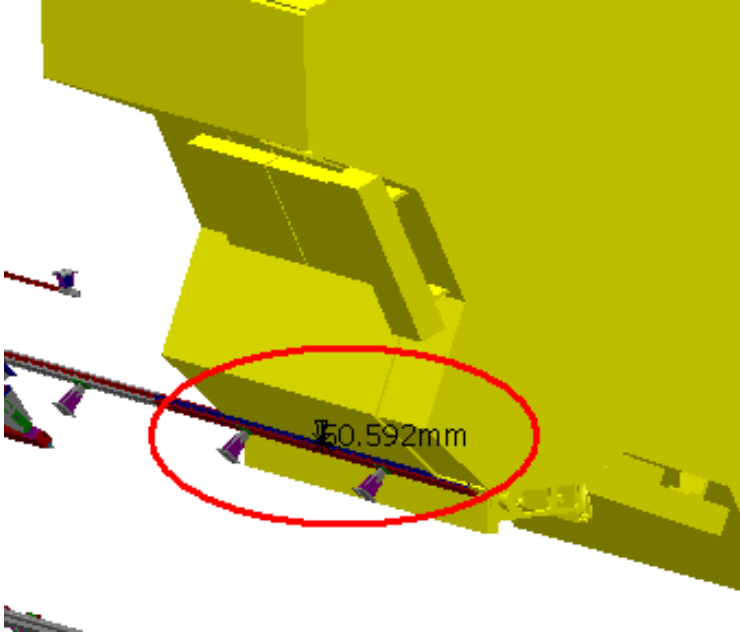
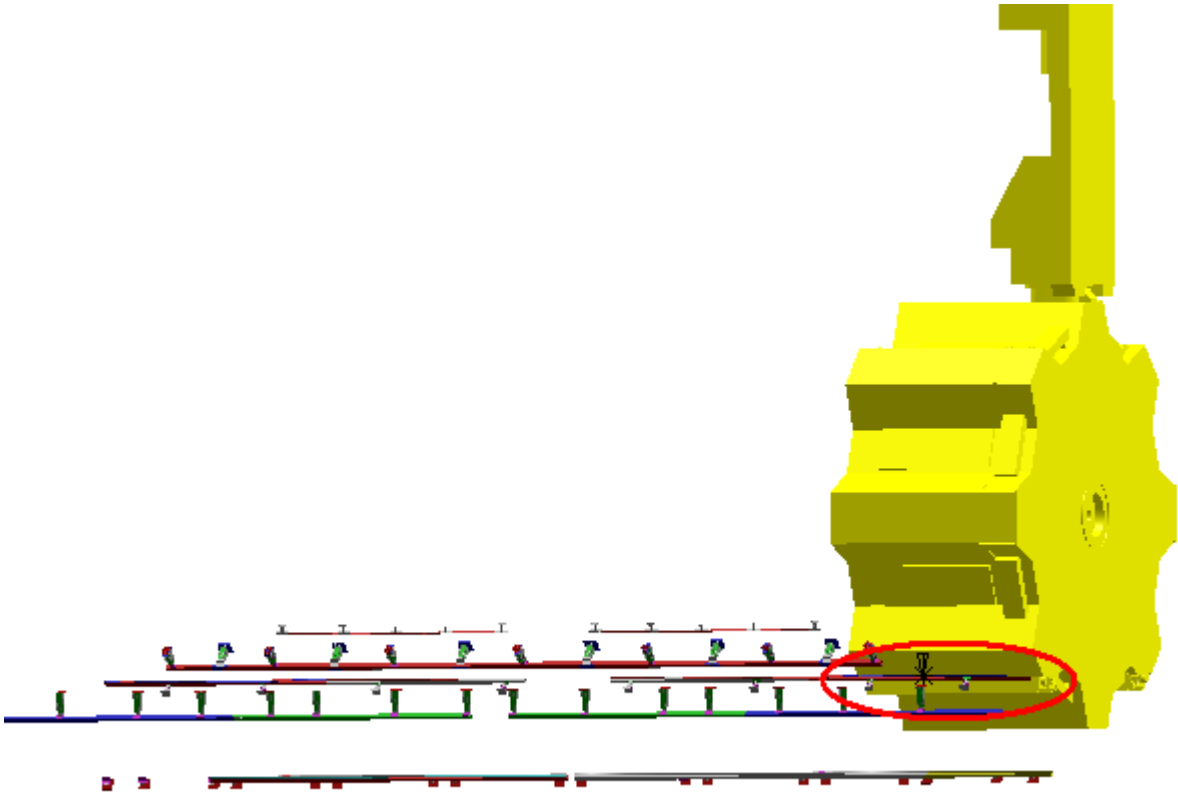
AT612359MQ – MUON SUPPORT,
SECT.11

Z5___0002 - Z5 GLOBAL ENVELOPE (SIDE C) -
AND LOCATION INTERFACES

Clash

-50.6 mm

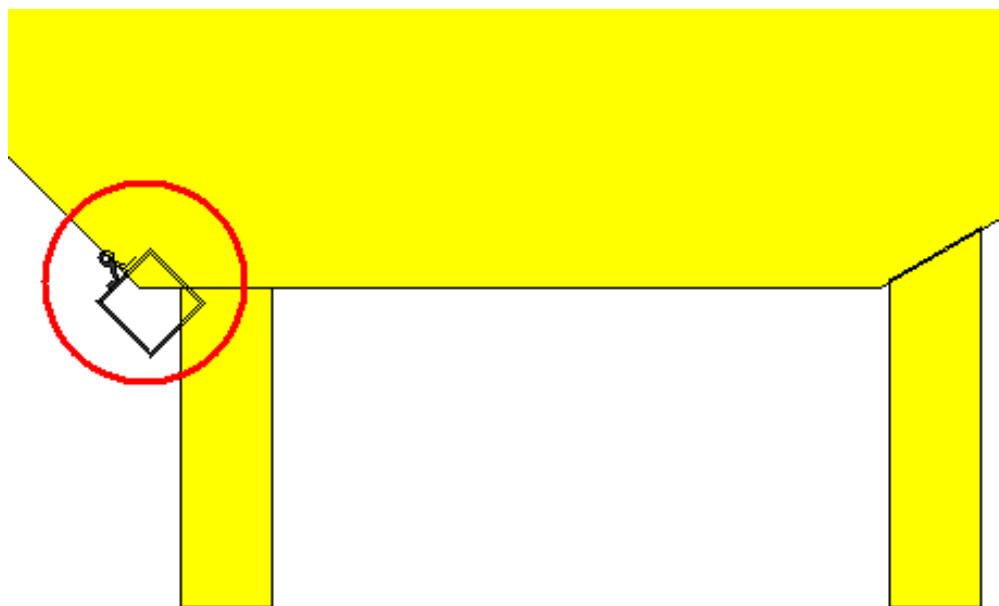
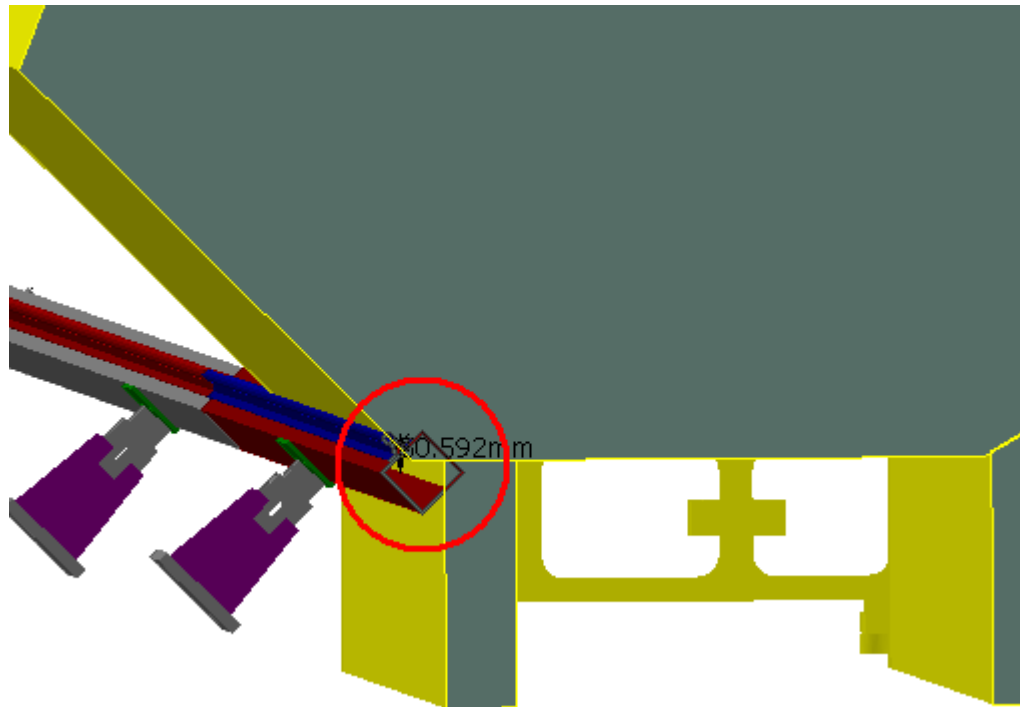
Not inspected



Clash value: ~ 50.6mm

SIDE A

Sector 11



Clash View:

