

# Clearance Publish

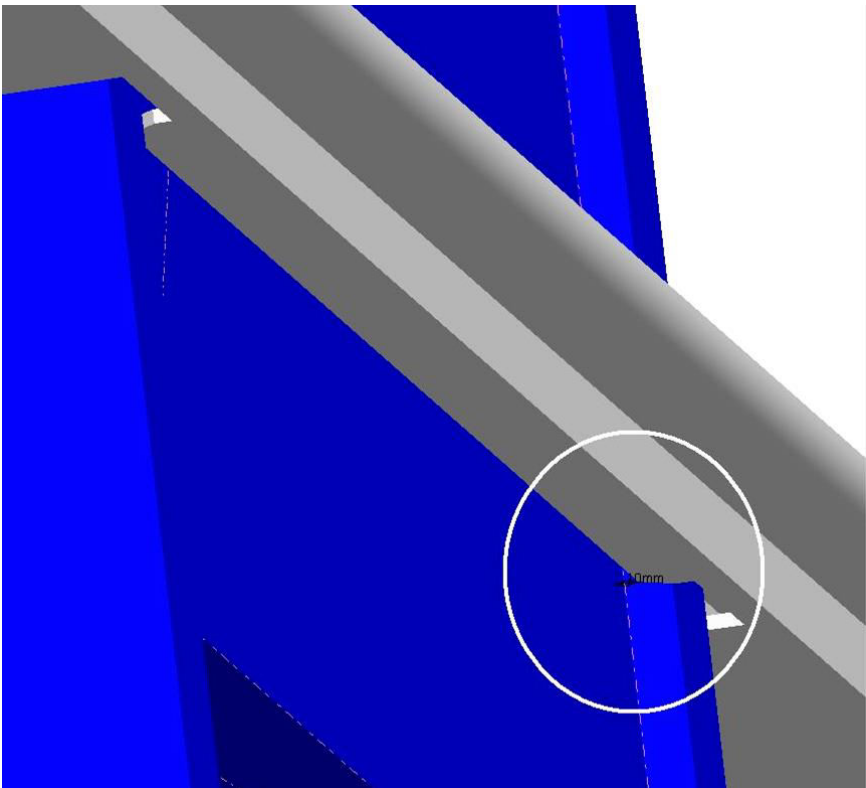
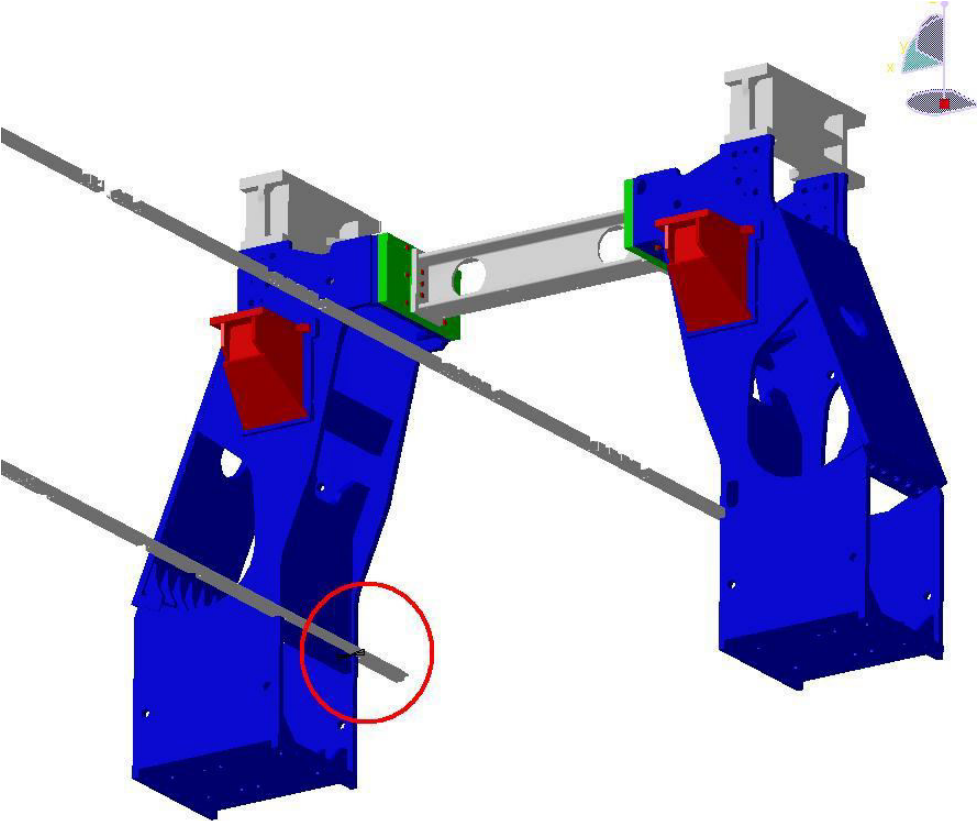
Clearance = 50mm



## Clearance Computation Specification

Products Selected		Value	Status
AT612302MQ – BOC Rail Feet, SECTOR 13	VHB_0005 - EXTREMITY PAIR OF FEET A4 (C4)	10 mm	Relevant

AT612302MQ – BOC Rail Feet, SECTOR 13	VHB_0005 - EXTREMITY PAIR OF FEET A4 (C4)	Clearance	10 mm			Relevant
			$\Delta X \approx 10$	$\Delta Y \approx 0$	$\Delta Z \approx 0$	



SIDE A, on both sides US15 and USA15, Sector 13

Also clearance exists with end-feet on SIDE C