

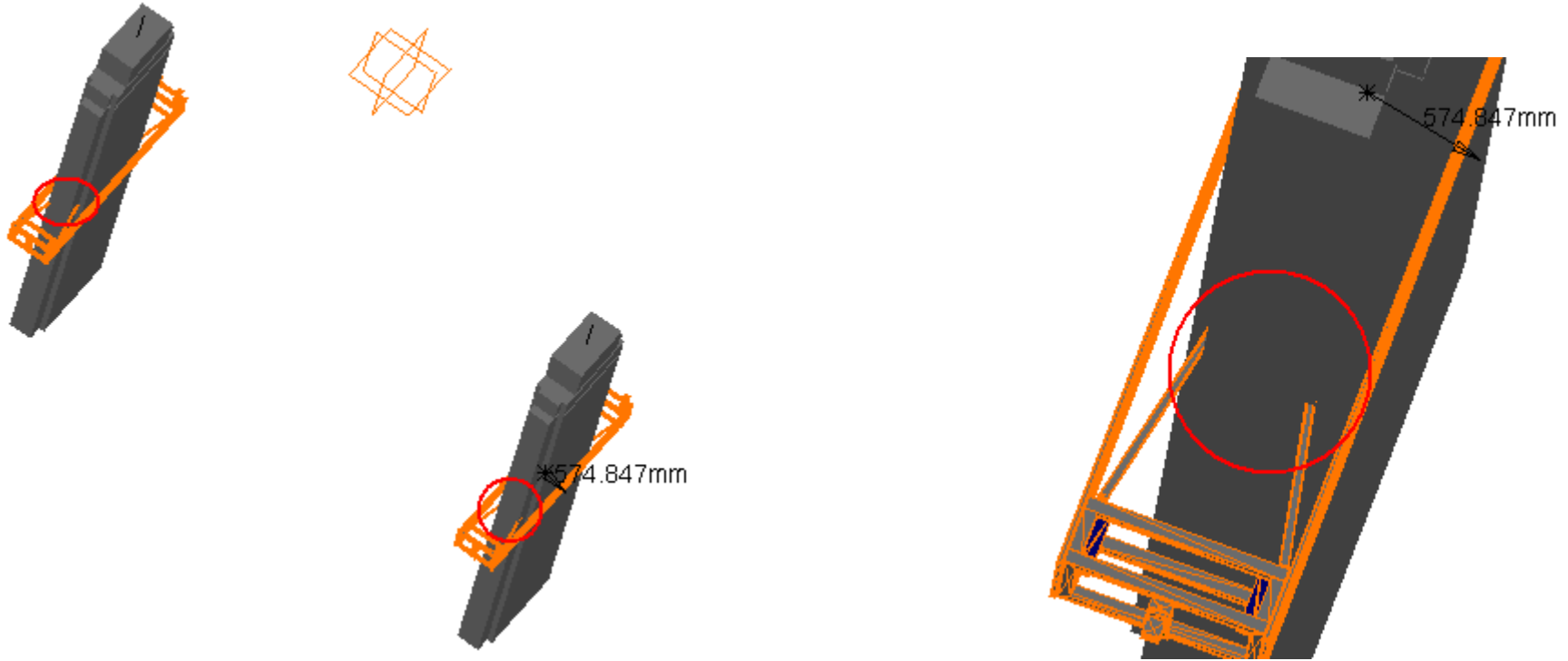
# Clash Publish



Clash Computation Specification			
Products Selected			
AT602371MQ BOL Alignment Transfer Frames	ATCZHX__0001 ACCESS ELEVATORS - GLOBAL ENVELOPE	-574.85	Not Relevant
	AT392123 MQ MCB Muon Barrel Chambers Detailed sector 13	-37.35	Not Relevant

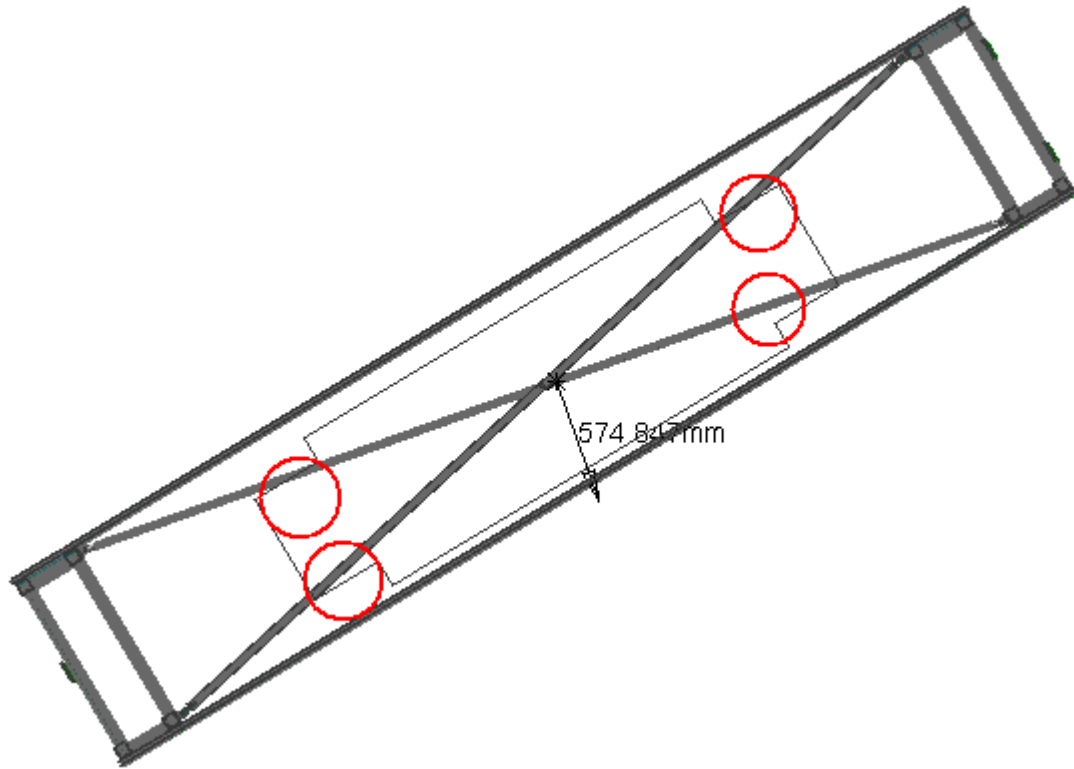
Revised with Olga Beltramelo 28/06/2005

AT602371MQ BOL Alignment Transfer Frames	ATCZH_X_0001 ACCESS ELEVATORS - GLOBAL ENVELOPE	Clash	--574.85	Not Relevant
--	---	-------	----------	--------------

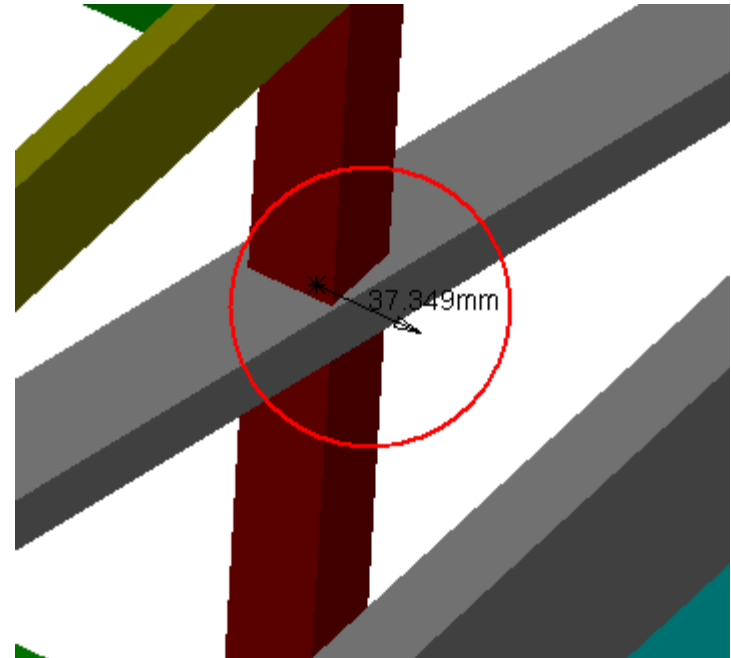
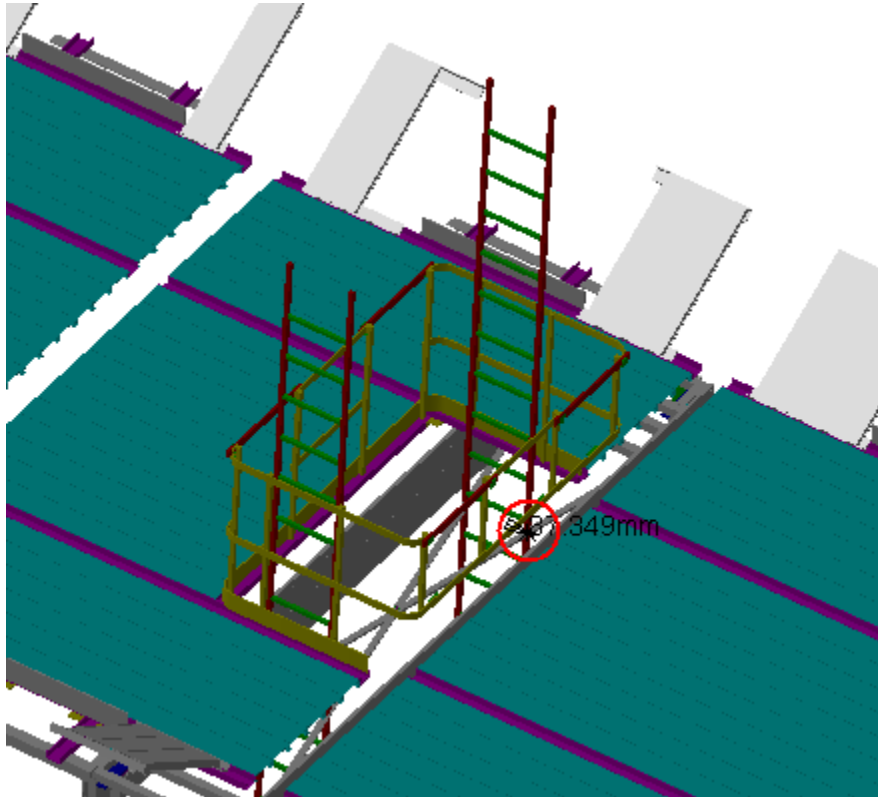


Side C  
Sector 13

# Clash View 1:



AT602371MQ BOL Alignment Transfer Frames	AT392123 MQ MCB Muon Barrel Chambers Detailed sector 13	Clash	-37.35mm	Not Relevant
--	---	-------	----------	--------------



Side A  
Sector 13

# Clash View 1:

