

Clearance Publish

Clearance=50mm

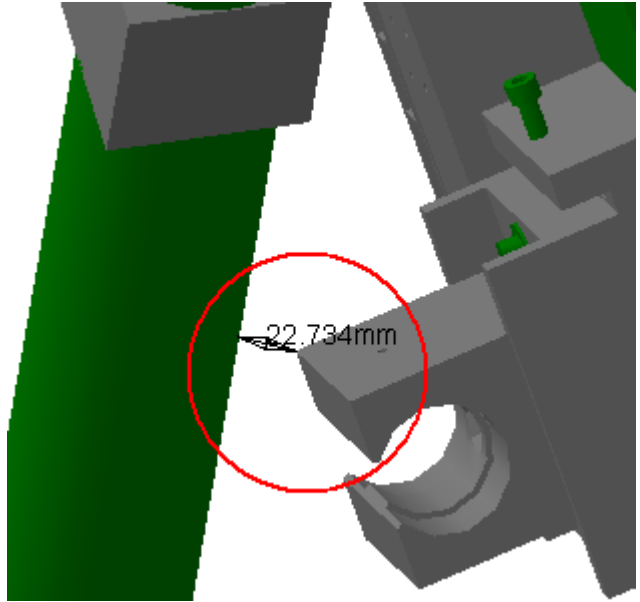
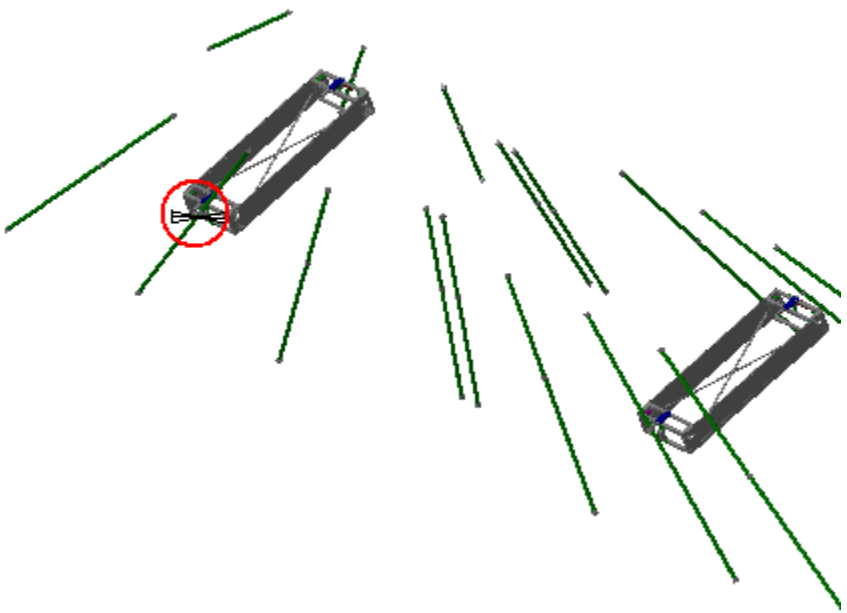


Clearance Computation Specification			
Products Selected			
AT602370MQ BML Alignment Transfer Frames	ATCNMA_0007 BARREL PROJECTIVE ALIGNMENT. - SIMPLE 3-D MODEL. SECTOR 13.	22.73	Relevant
	ATCNMA_0017 SECTOR 14 SIDE C (A) - REFERENCE ALIGNMENT SYSTEM AND	16.07	Not Relevant
	AT392123MQ MCB Muon Barrel Chambers Detailed Sec 13	30.59	Not Relevant
	AT602165MQ MCB Muon Barrel Chambers Detailed Sec 13	10	Relevant/ Warning

Revised with Olga Beltramelo 28/06/2005

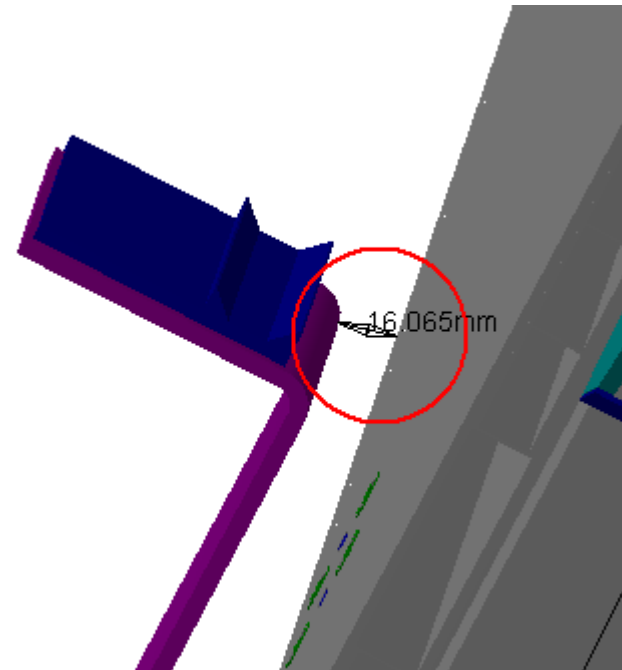
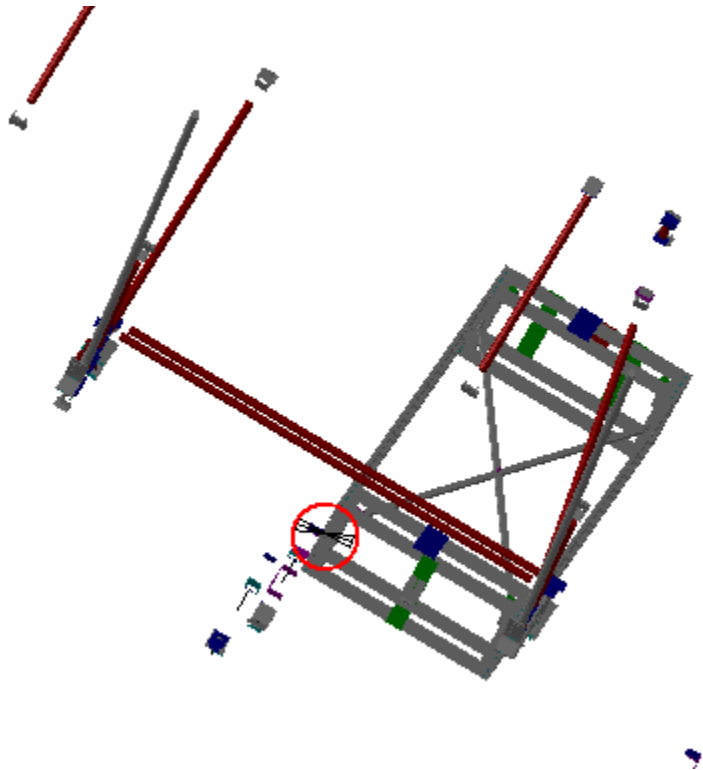
Tatiana 6/07/2005

AT602370MQ BML Alignment Transfer Frames	ATCNMA_0007 BARREL PROJECTIVE ALIGNMENT. - SIMPLE 3-D MODEL. SECTOR 13.	Vector coordinate $\Delta X=17.63\text{mm}$ $\Delta Y=-8.31\text{mm}$ $\Delta Z=11.71\text{mm}$	22.73mm	Relevant
--	---	--	---------	----------



Side A
Sector 13

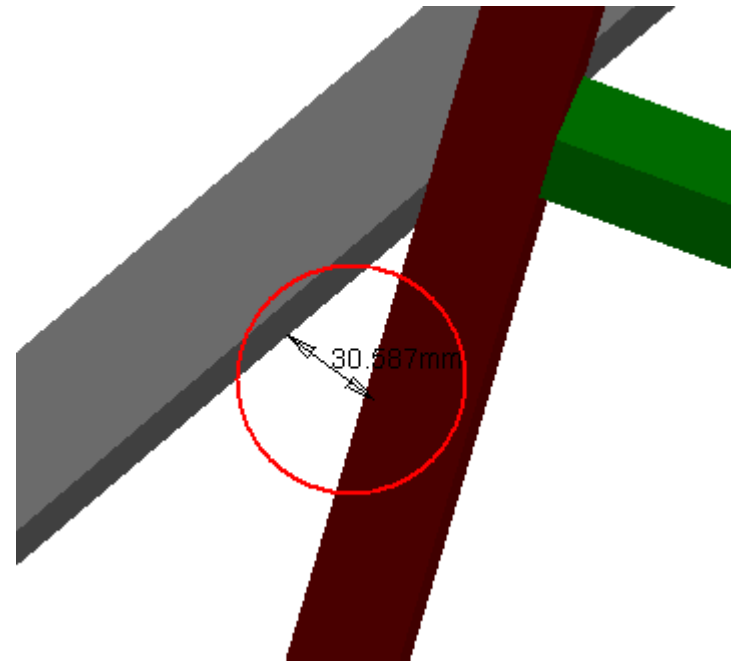
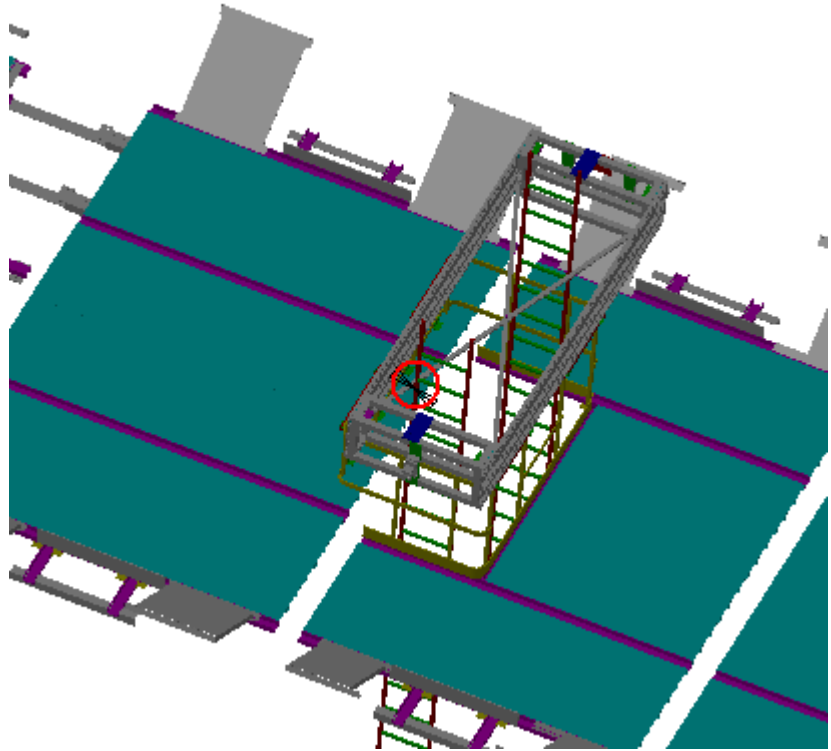
AT602370MQ BML Alignment Transfer Frames	ATCNMA_0017 SECTOR 14 SIDE C (A) - REFERENCE ALIGNMENT SYSTEM AND	Vector coordinate $\Delta X=0\text{mm}$ $\Delta Y=-15.47\text{mm}$ $\Delta Z=-4.34\text{mm}$	16.07mm	Not Relevant
--	---	---	---------	--------------



Side C
Sector 13

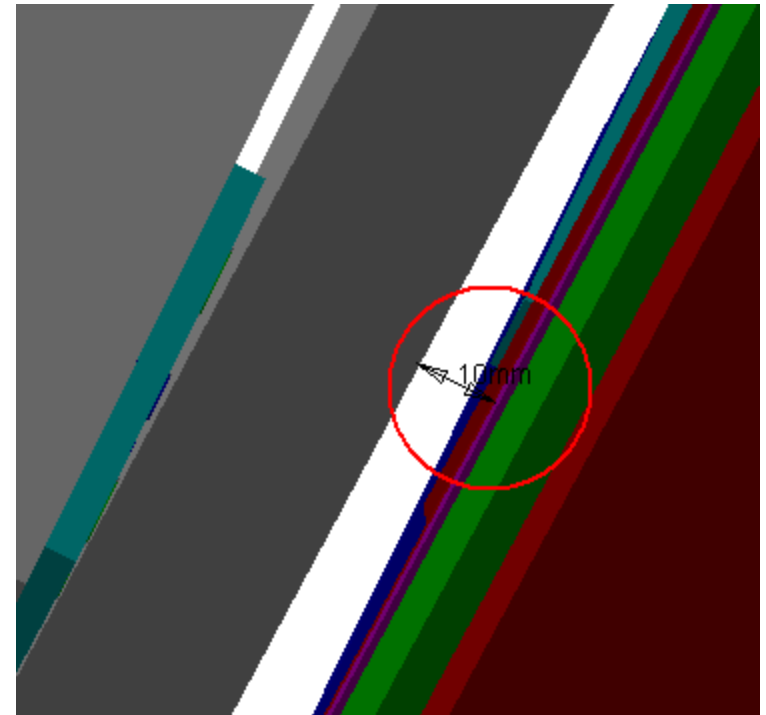
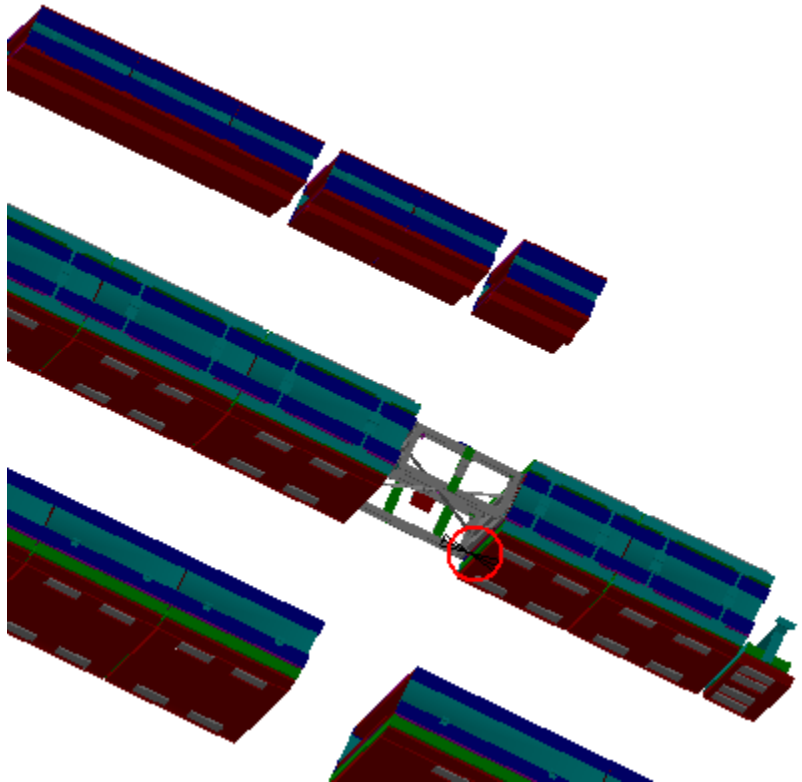
Tatiana: It seems that NMA_0016 is not up_to_date

AT602370MQ BML Alignment Transfer Frames	AT392123MQ MCB Muon Barrel Chambers Detailed Sec 13	Vector coordinate $\Delta X=10.86\text{mm}$ $\Delta Y=28.59\text{mm}$ $\Delta Z=0.35\text{mm}$	30.59mm	Not Relevant
--	---	---	---------	--------------



Side A
Sector 13

AT602370MQ BML Alignment Transfer Frames	AT602165MQ MCB Muon Barrel Chambers Detailed Sec 13	Vector coordinate $\Delta X=8.85\text{mm}$ $\Delta Y=0.04\text{mm}$ $\Delta Z=-3.55\text{mm}$	10mm	Relevant/ Warning
--	---	--	------	----------------------



Warning for Muon Team