

# Clash Publish



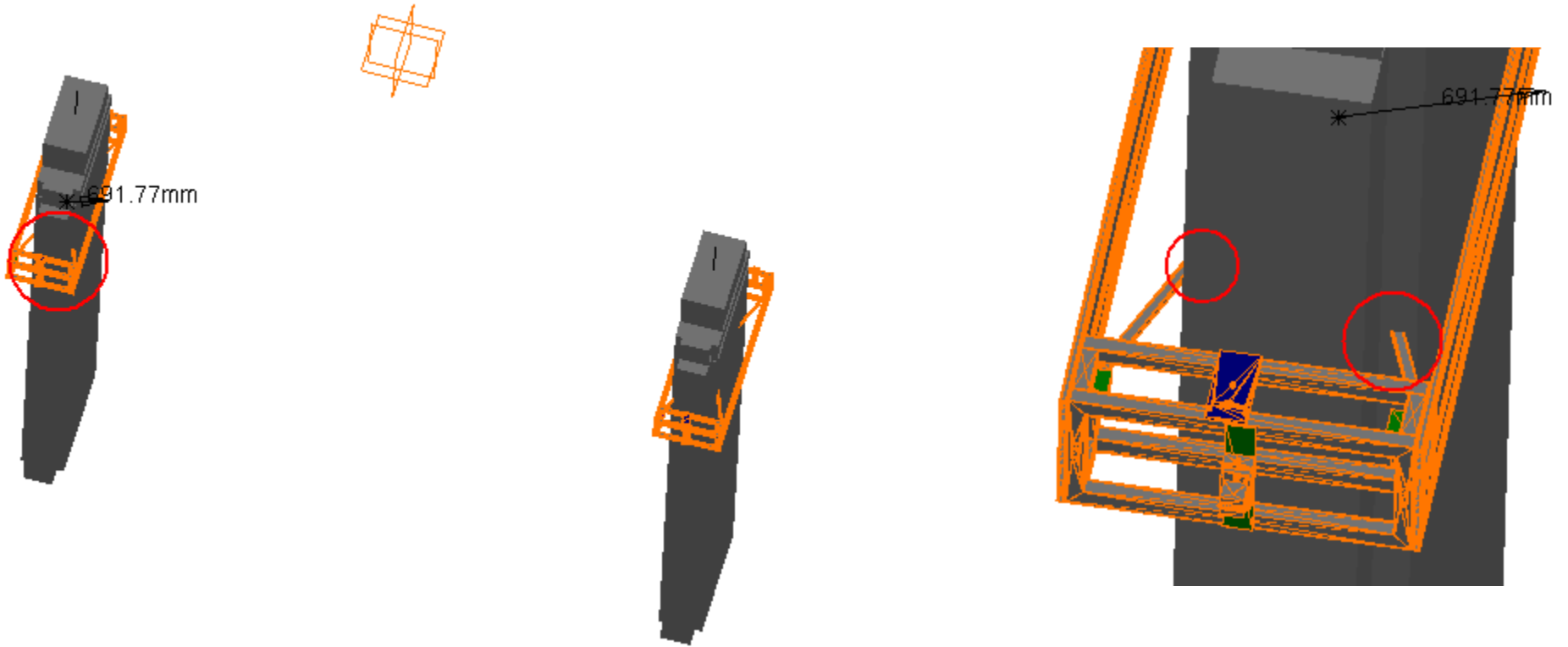
| Clash Computation Specification                |  |         |              |
|--|--|---------|--------------|
| Products Selected                              |  |         |              |
| AT602370MQ BML<br>Alignment Transfer<br>Frames | ATCZHX__0001 ACCESS ELEVATORS - GLOBAL ENVELOPE                    | -691.77 | Not Relevant |
|  | ATCNMA__0016 SECTOR 12 SIDE C (A) - REFERENCE ALIGNMENT SYSTEM AND | -3.59   | Not Relevant |

Revised with Olga Beltrameló 28/06/2005

Tatiana 6/07/2005

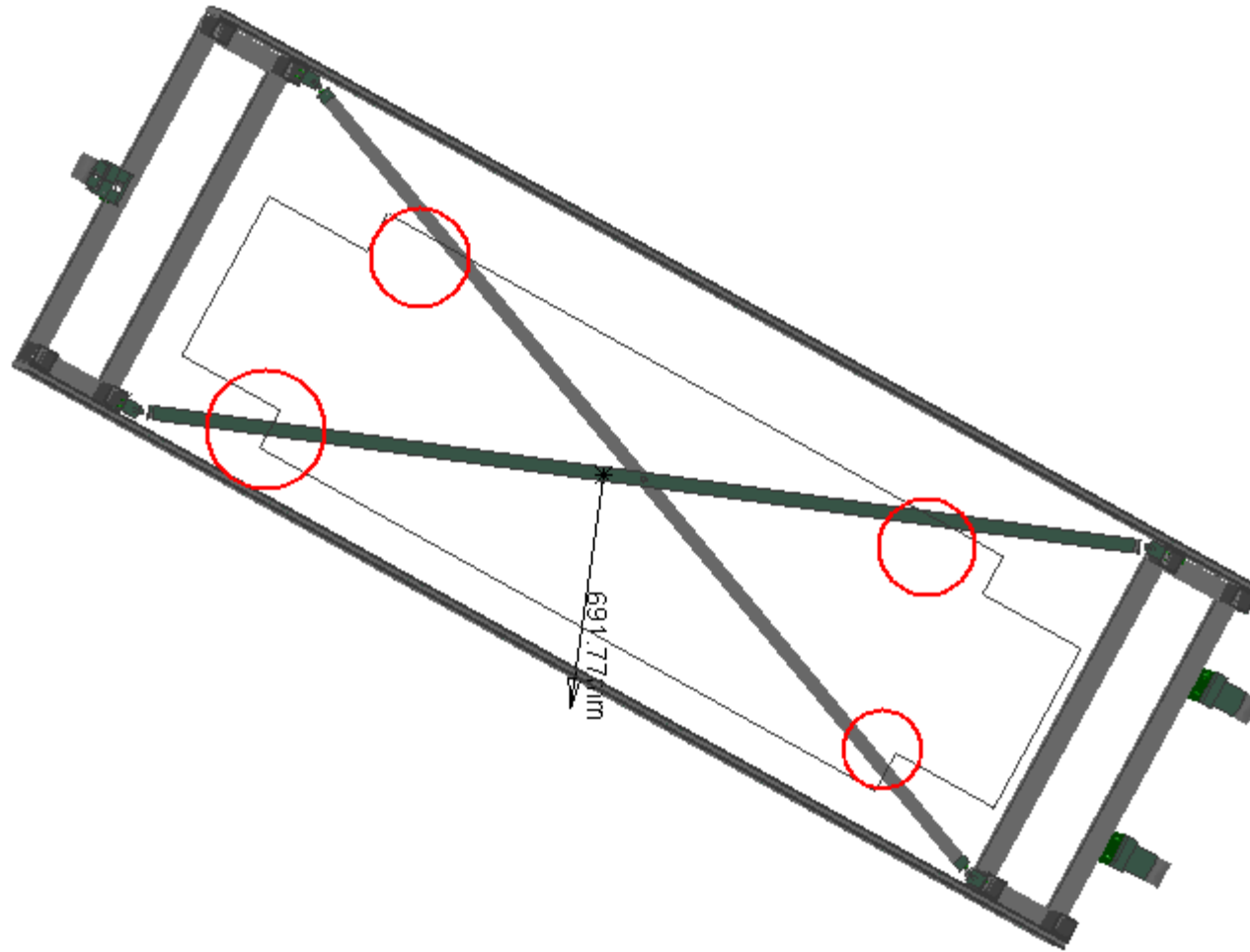
**Computation Result:**

|  |  |       |         |              |
|--|--|-------|---------|--------------|
| AT602370MQ BML Alignment Transfer Frames | ATCZHX_0001 ACCESS ELEVATORS - GLOBAL ENVELOPE | Clash | -691.77 | Not Relevant |
|--|--|-------|---------|--------------|

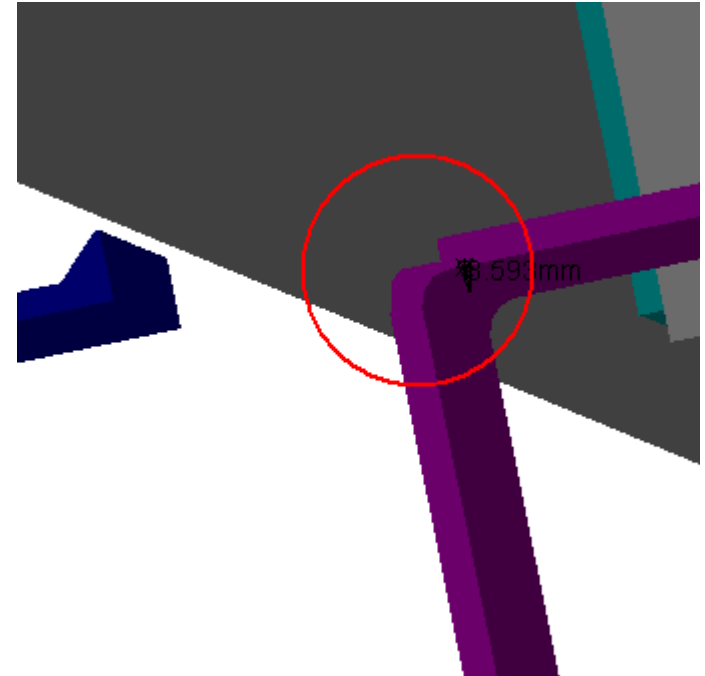
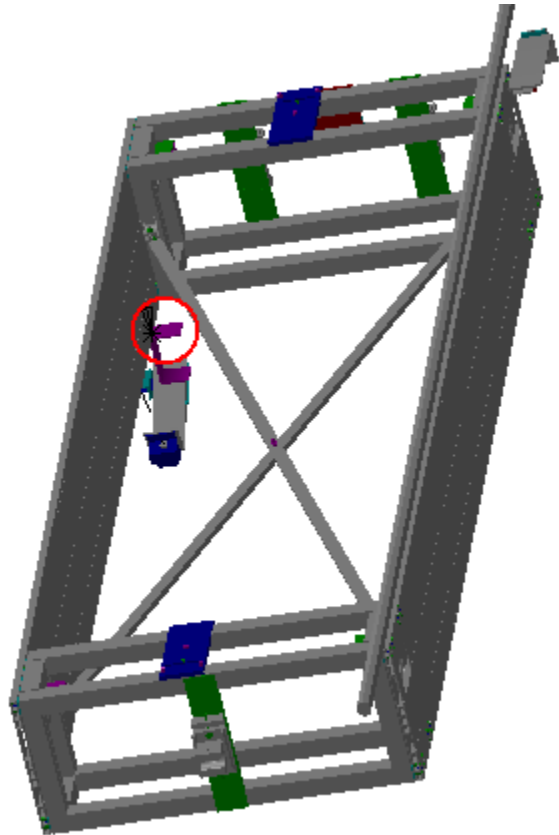


Side A  
Sector 13

# Clash View 1:



|  |   |       |         |              |
|--|---|-------|---------|--------------|
| AT602370MQ BML Alignment Transfer Frames | ATCNMA_0016 SECTOR 12<br>SIDE C (A) - REFERENCE<br>ALIGNMENT SYSTEM AND | Clash | -3.59mm | Not Relevant |
|--|---|-------|---------|--------------|



Tatiana: It seems that NMA\_0016 is not up\_to\_date

# Clash View 1:

