

Clearance Publish

Clearance=50mm



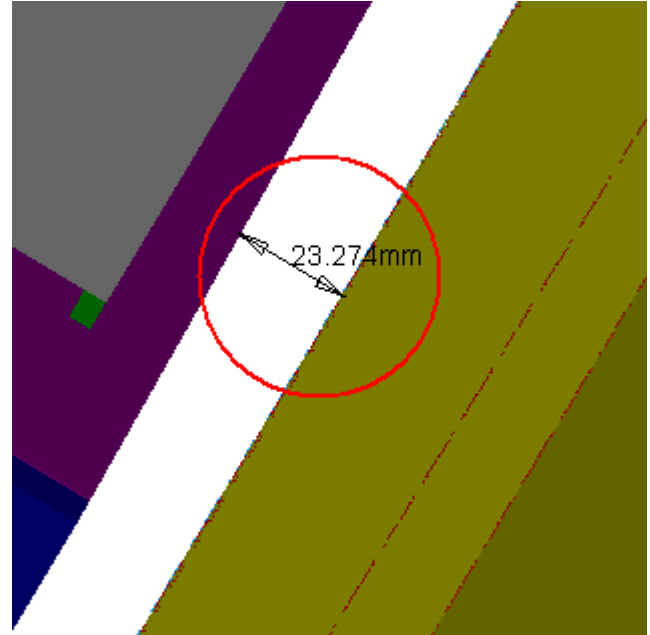
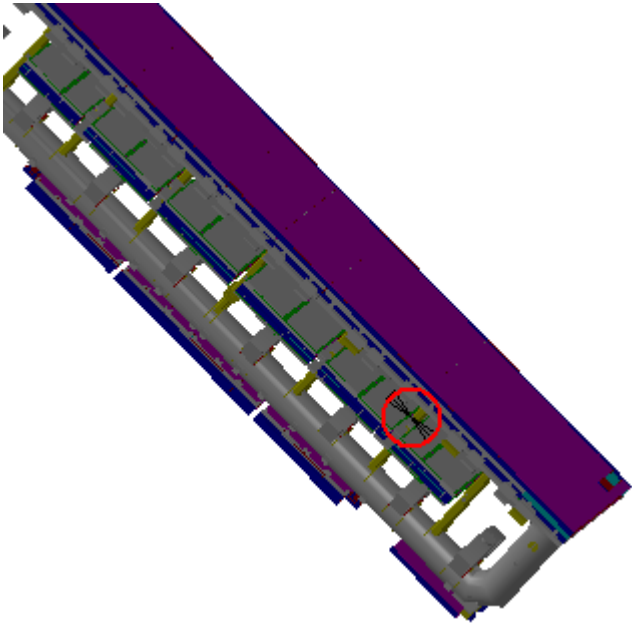
Clearance Computation Specification

Products Selected

AT602168MQ MCB Muon Barrel Chambers Detailed Sector 10	ATCNTB__0001 TB10 STANDARD COIL - SECTORS 10,	23.27	Not inspected
AT602168MQ MCB Muon Barrel Chambers Detailed Sector 10	ATCNTB__0004 TB CRYORING BOTTOM SECTORS - (11, 13, 15)	48.68	Not inspected
AT602168MQ MCB Muon Barrel Chambers Detailed Sector 10	ATCNTB__0008 TB CRYORING TOP SECTORS - (1, 3, 5, 7, 9)	48.69	Not inspected
AT602168MQ MCB Muon Barrel Chambers Detailed Sector 10	ATCNMC__0018 SMALL WHEEL (SIDE C) - SIMPLIFIED 3-D OBJECT	23	Not inspected
AT602168MQ MCB Muon Barrel Chambers Detailed Sector 10	AT602160MQ- MCB Muon Barrel Chambers Detailed sector 9	40.7	Not inspected
AT602168MQ MCB Muon Barrel Chambers Detailed Sector 10	AT602161MQ- MCB Muon Barrel Chambers Detailed sector 11	34.82	Not inspected

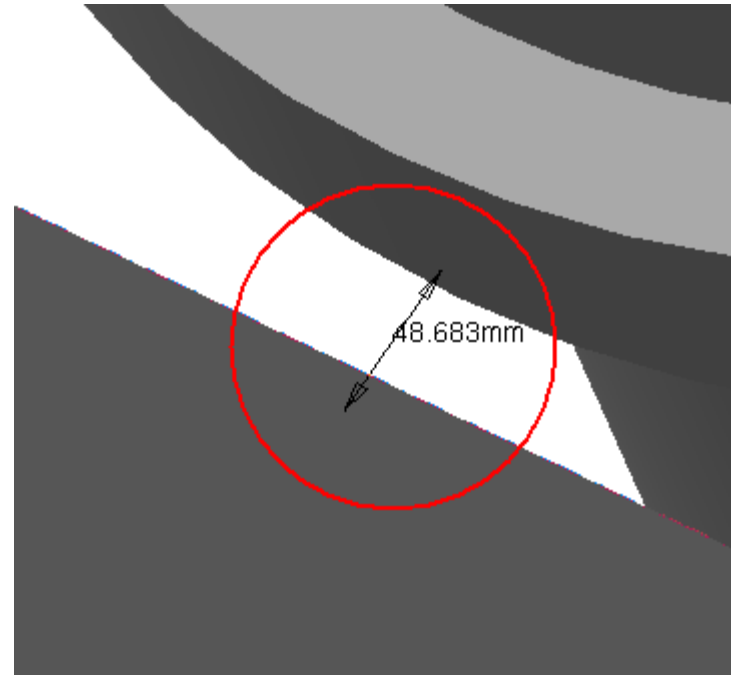
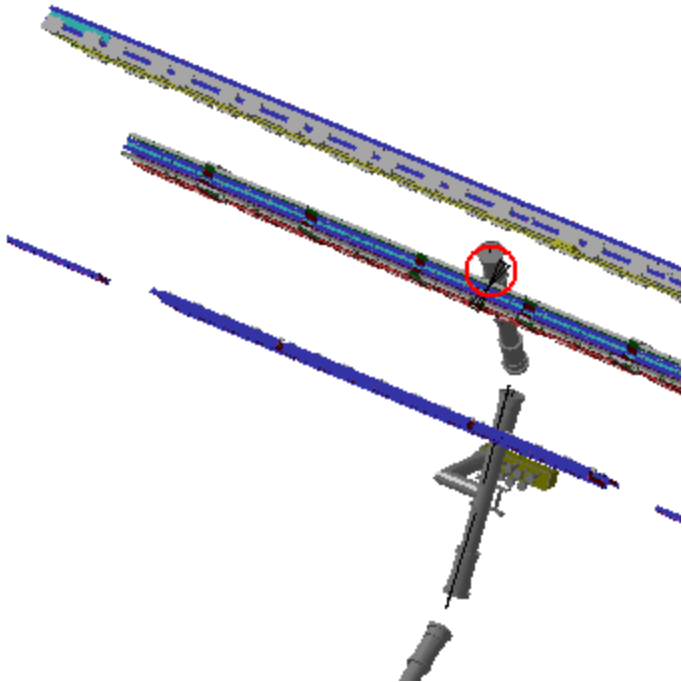
Computation Result:

AT602168MQ MCB Muon Barrel Chambers Detailed Sector 10	ATCNTB__0001 TB10 STANDARD COIL - SECTORS 10,	Vector coordinate $\Delta X=0\text{mm}$ $\Delta Y=23.27\text{mm}$ $\Delta Z=0.29\text{mm}$	Value=23.27mm	Not inspected
--	---	---	---------------	---------------



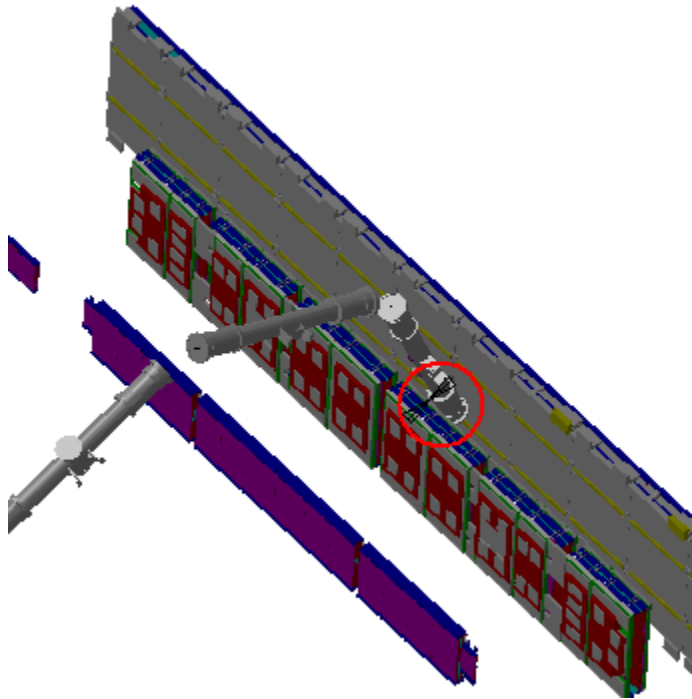
Side C
Sector 10

AT602168MQ MCB Muon Barrel Chambers Detailed Sector 10	ATCNTB__0004 TB CRYORING BOTTOM SECTORS - (11, 13, 15)	Vector coordinate $\Delta X=-34.38\text{mm}$ $\Delta Y=2.98\text{mm}$ $\Delta Z=34.34\text{mm}$	Value=48.68mm	Not inspected
---	---	--	---------------	---------------



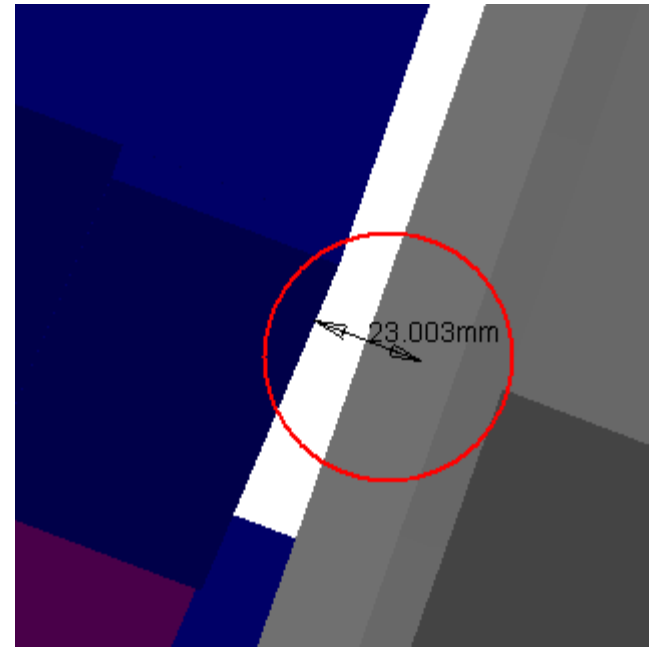
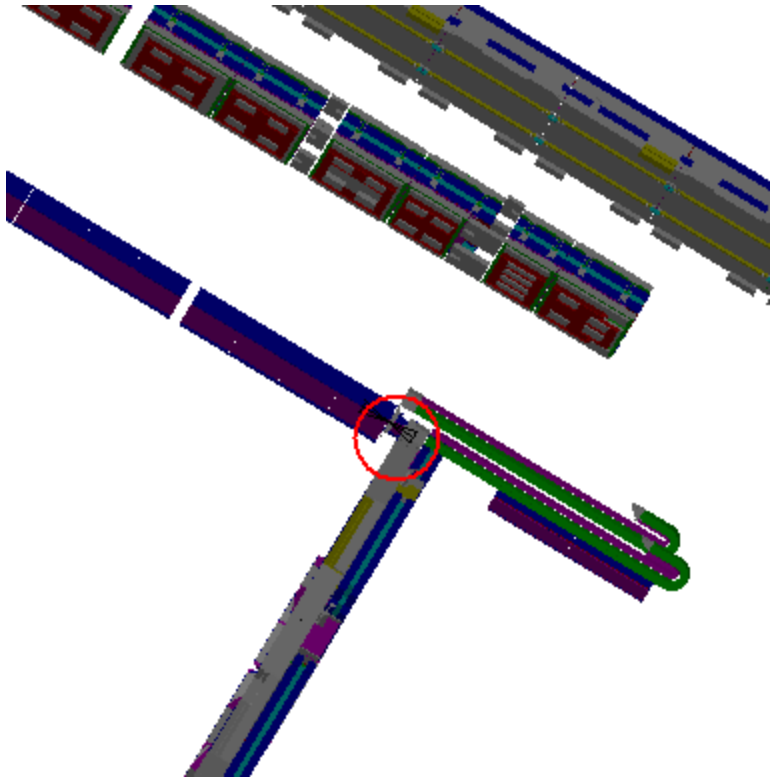
Side C
Sector 10

AT602168MQ MCB Muon Barrel Chambers Detailed Sector 10	ATCNTB__0008 TB CRYORING TOP SECTORS - (1, 3, 5, 7, 9)	Vector coordinate $\Delta X=-48.62\text{mm}$ $\Delta Y=2.54\text{mm}$ $\Delta Z=0.03\text{mm}$	Value=48.69	Not inspected
---	---	---	-------------	---------------



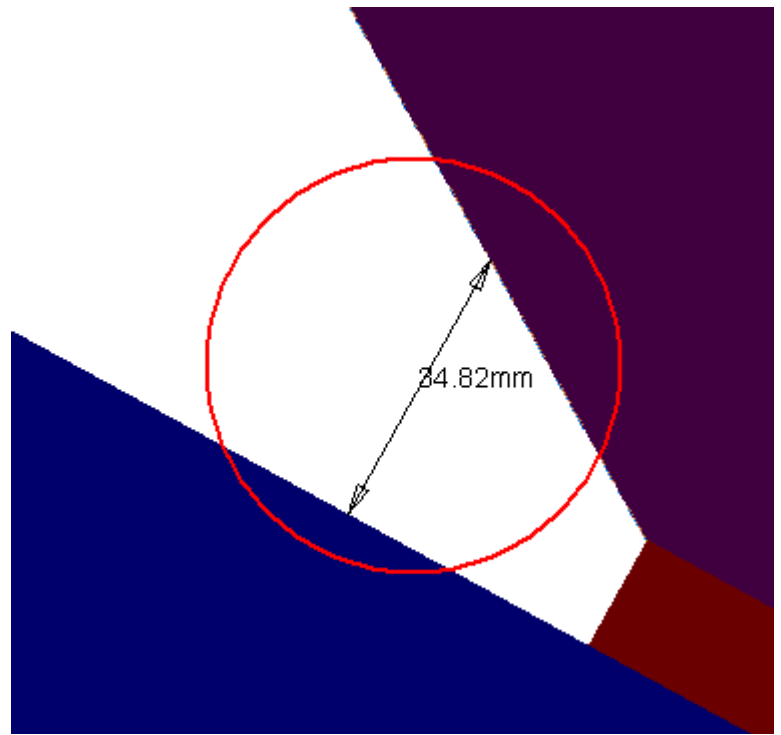
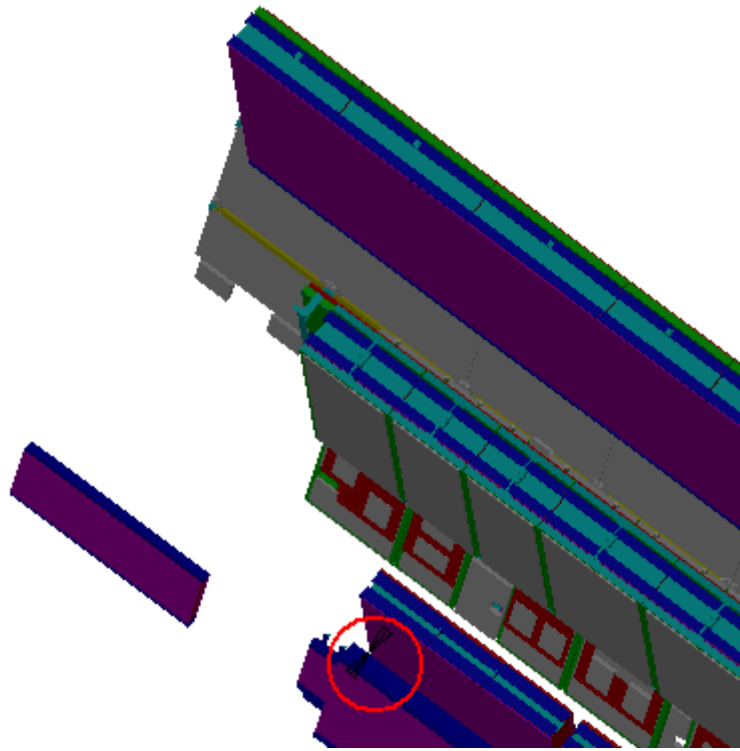
Side C
Sector 10

AT602168MQ MCB Muon Barrel Chambers Detailed Sector 10	ATCNMC_0018 SMALL WHEEL (SIDE C) - SIMPLIFIED 3-D OBJECT	Vector coordinate $\Delta X=0.000488281\text{mm}$ $\Delta Y=23\text{mm}$ $\Delta Z=0.28\text{mm}$	Value =23	Not inspected
---	---	--	-----------	---------------



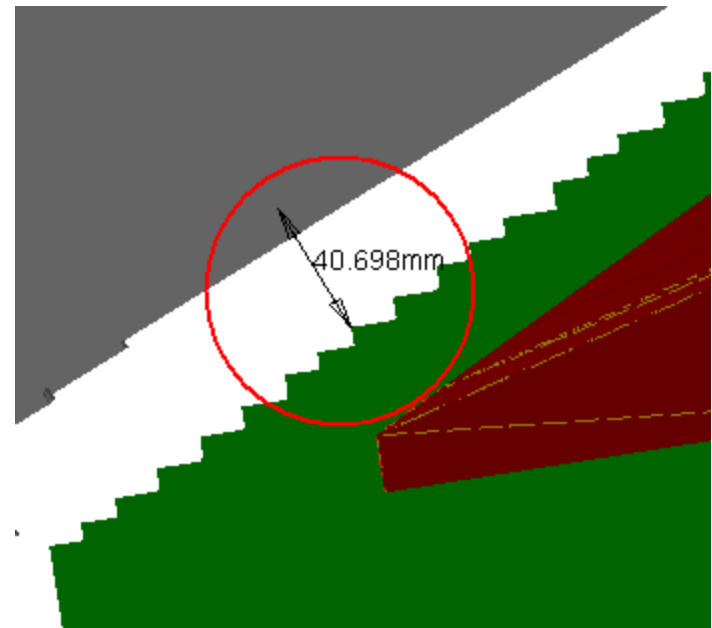
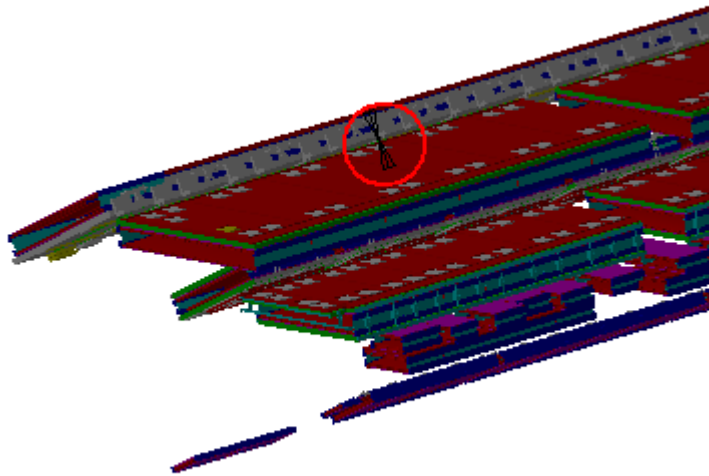
Side C
Sector 10

AT602168MQ MCB Muon Barrel Chambers Detailed Sector 10	AT602160MQ MCB Muon Barrel Chambers Detailed Sector 9	Vector coordinate $\Delta X = -34.82\text{mm}$ $\Delta Y = 0\text{mm}$ $\Delta Z = 0\text{mm}$	Value = 34.82mm	Not inspected
--	---	---	-----------------	---------------



Side A
Sector 9

AT602168MQ MCB Muon Barrel Chambers Detailed Sector 10	AT602161MQ MCB Muon Barrel Chambers Detailed Sector 11	Vector coordinate $\Delta X = -37.6\text{mm}$ $\Delta Y = 0.19\text{mm}$ $\Delta Z = 15.57\text{mm}$	Value =40.7mm	Not inspected
---	---	---	---------------	---------------



Side C

Sector 10