

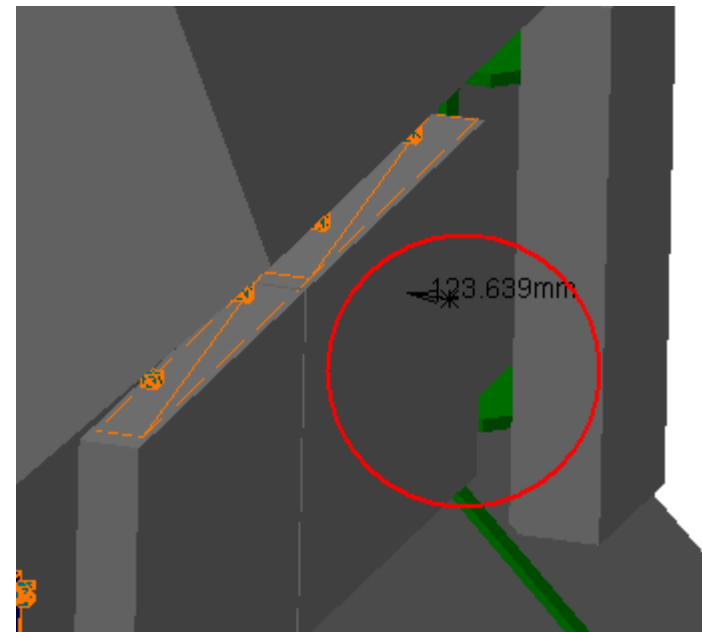
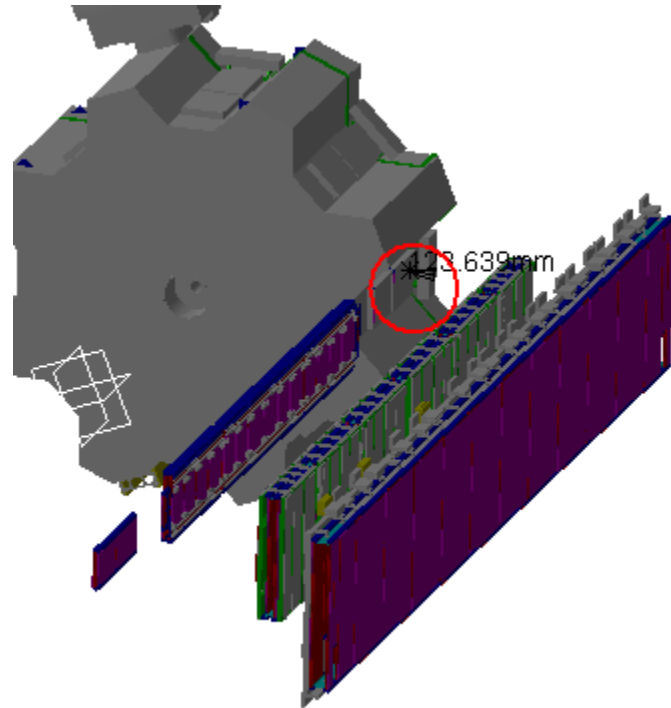


Clash Publish

Clash Computation Specification			
Products Selected			
AT602168 MQ MCB Muon Barrel Chambers Detailed sector 10	ATCZ5__0001 Z5 GLOBAL ENVELOPE (SIDE C) - AND LOCATION INTERFACES (under construction)		
AT602168 MQ MCB Muon Barrel Chambers Detailed sector 10	ATCZ5__0002 Z5 GLOBAL ENVELOPE (SIDE A) - AND LOCATION INTERFACES	-123.64	Not inspected
AT602168 MQ MCB Muon Barrel Chambers Detailed sector 10	ATCNMA__0005 BARREL PROJECTIVE ALIGNMENT. - SIMPLE 3-D MODEL. SECTOR 9.	-1.93	Not inspected
AT602168 MQ MCB Muon Barrel Chambers Detailed sector 10	ATCNMA__0006 BARREL PROJECTIVE ALIGNMENT. - SIMPLE 3-D MODEL. SECTOR 11.	-0.26	Not inspected
AT602168MQ MCB Muon Barrel Chambers Detailed sector 10	ATCNMA__0009 END CAP ALIGNMENT SIDE "A". - SIMPLE 3-D MODEL.	-743.79	Not inspected
AT602168MQ MCB Muon Barrel Chambers Detailed sector 10	ATCNMA__0010 END CAP ALIGNMENT SIDE "C" - SIMPLE 3-D MODEL.	-732.91	Not inspected
AT602168 MQ MCB Muon Barrel Chambers Detailed sector 10	ATCNMA__0015 SECTOR 10 SIDE C (A) - REFERENCE ALIGNMENT SYSTEM AND	-166.36	Not inspected

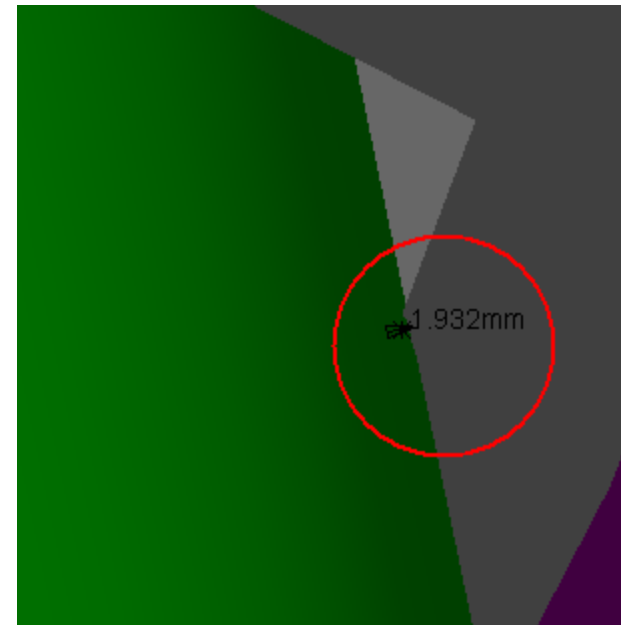
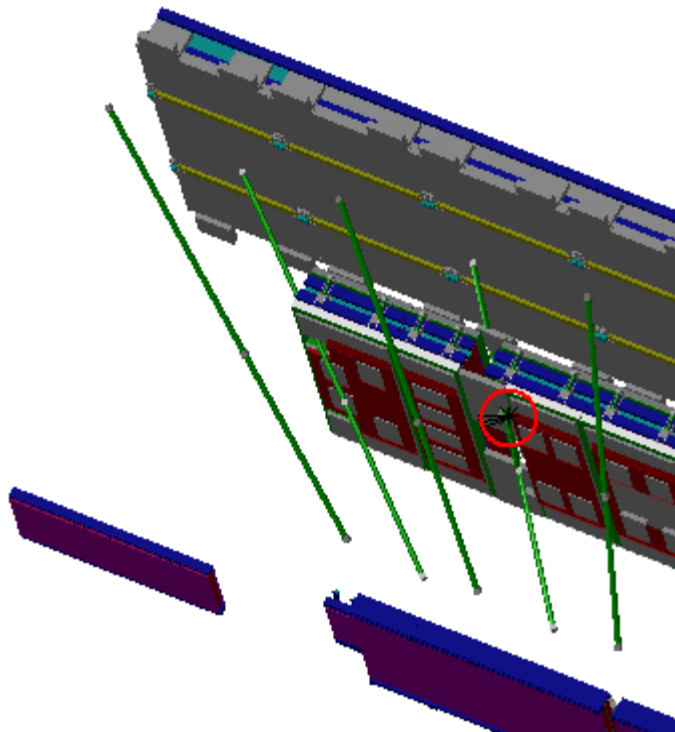
Computation Result:

AT602168 MQ MCB Muon Barrel Chambers Detailed sector 10	ATCZ5__0002 Z5 GLOBAL ENVELOPE (SIDE A) - AND LOCATION INTERFACES	Clash	-123.64mm	Not inspected
--	---	-------	-----------	---------------



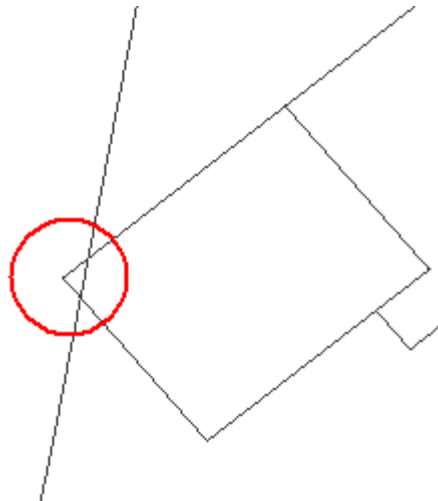
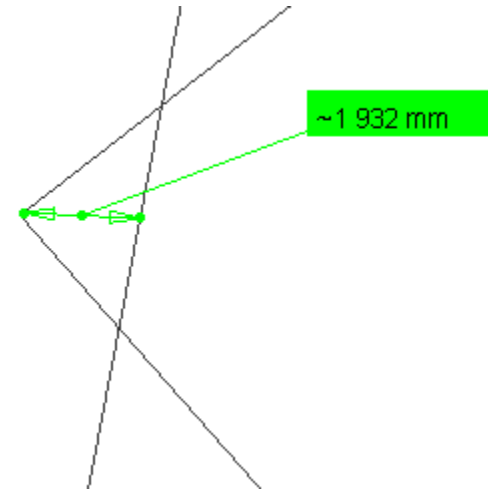
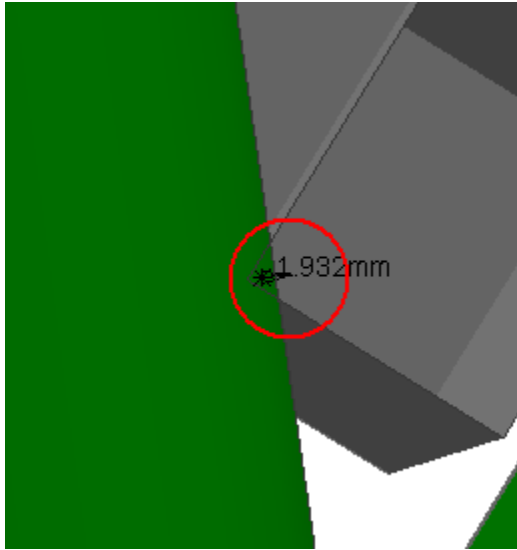
Side A
Sector 10

AT602168 MQ MCB Muon Barrel Chambers Detailed sector 10	ATCNMA_0005 BARREL PROJECTIVE ALIGNMENT. - SIMPLE 3-D MODEL. SECTOR 9.	Clash	-1.93mm	Not inspected
--	--	-------	---------	---------------

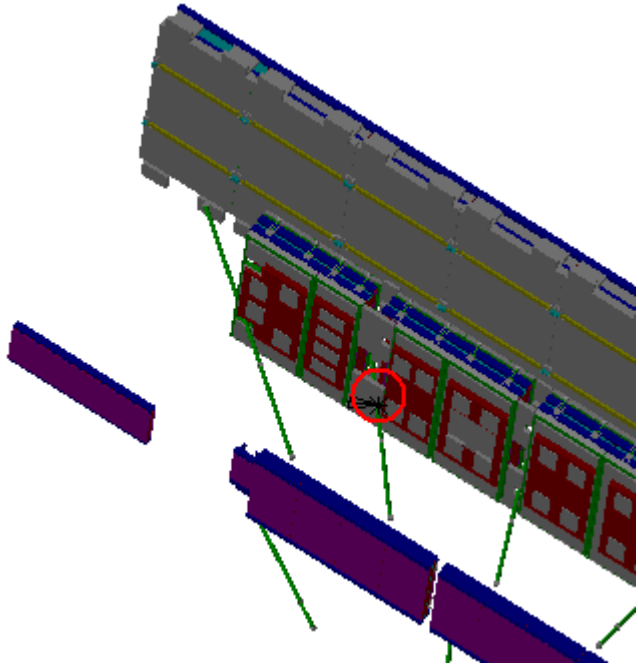


Side A
Sector 10

Clash View 1:



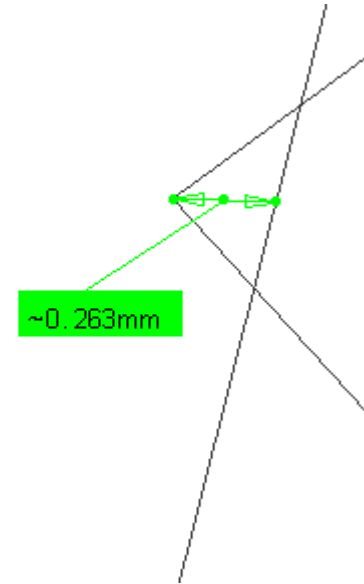
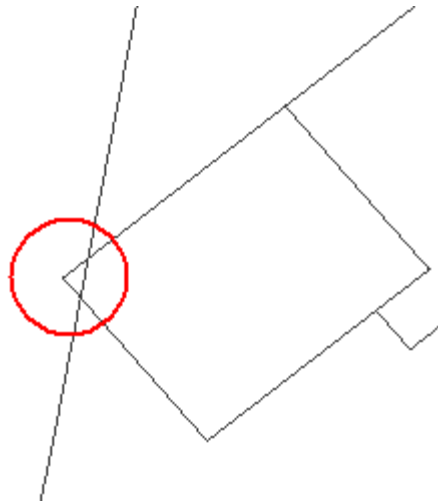
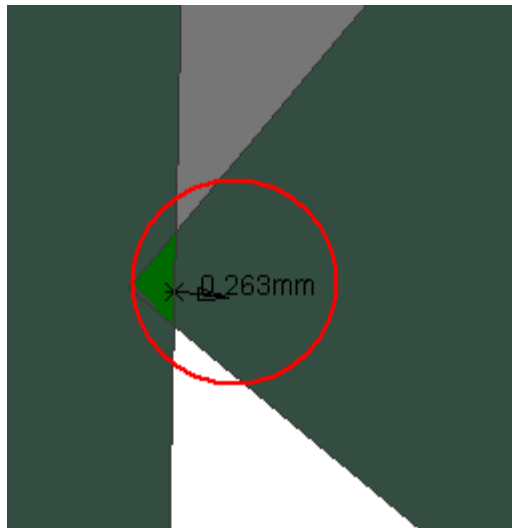
AT602168 MQ MCB Muon Barrel Chambers Detailed sector 10	ATCNMA__0006 BARREL PROJECTIVE ALIGNMENT. - SIMPLE 3-D MODEL. SECTOR 11.	Clash	-0.26mm	Not inspected
--	--	-------	---------	---------------



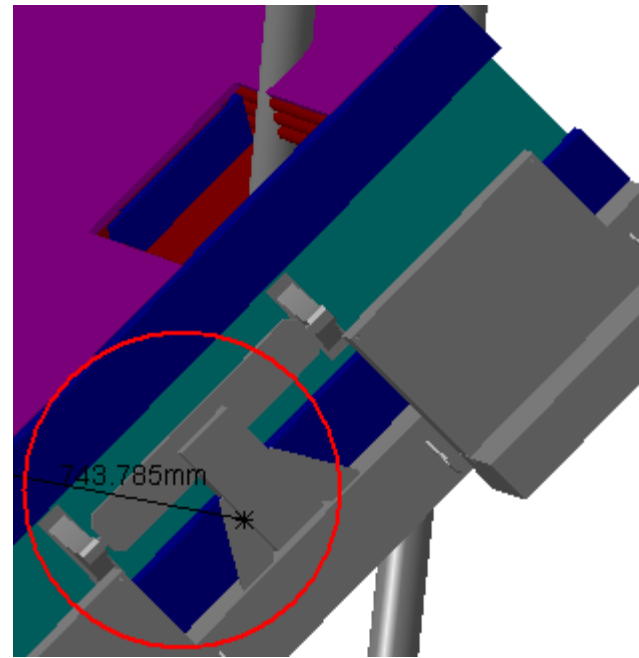
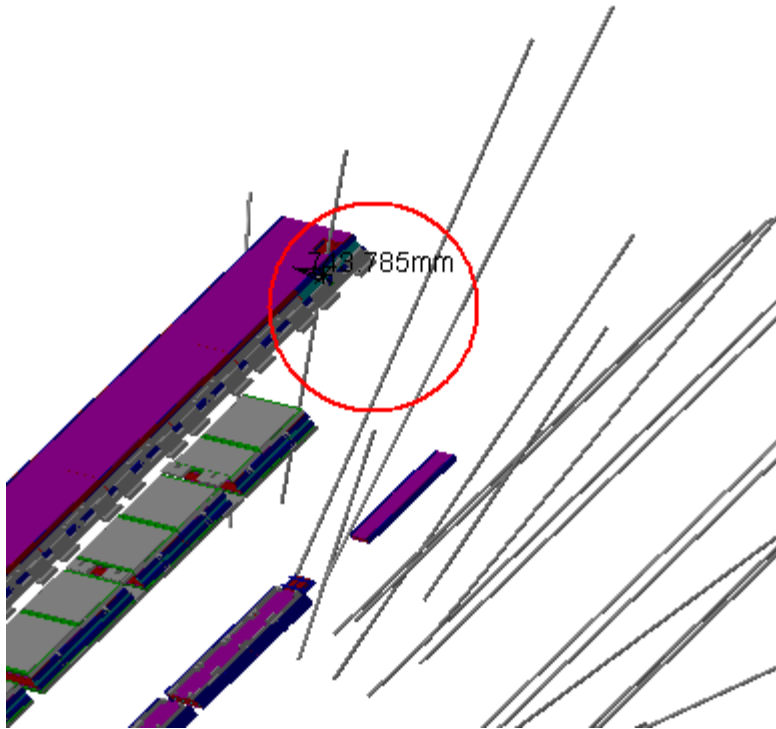
Side A

Sector 10

Clash View 1:

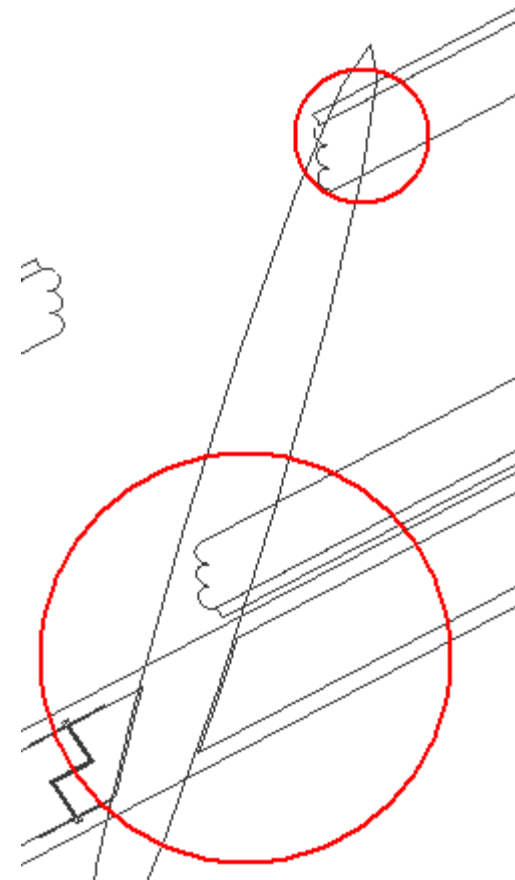
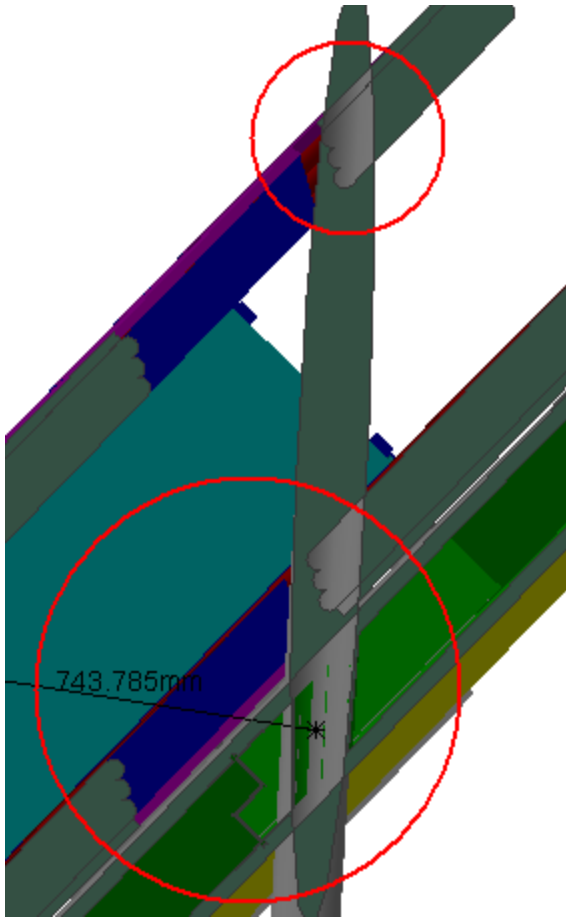


AT602168 MQ MCB Muon Barrel Chambers Detailed sector 10	ATCNMA_0009 END CAP ALIGNMENT SIDE "A". - SIMPLE 3-D MODEL.	Clash	-743.79 mm	Not inspected
--	---	-------	------------	---------------

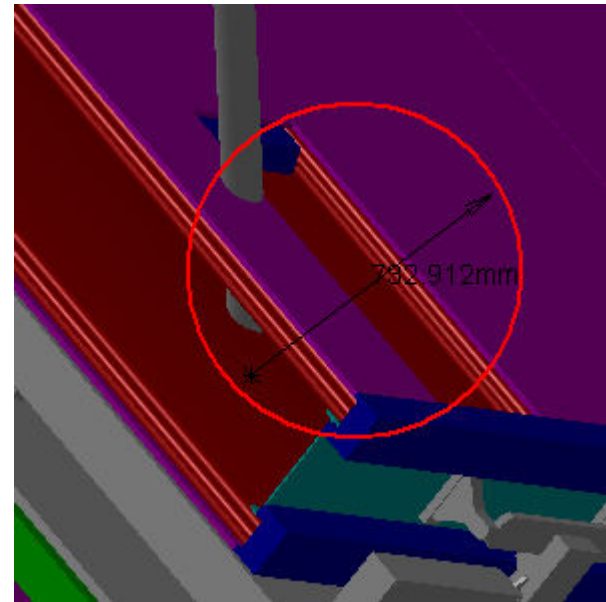
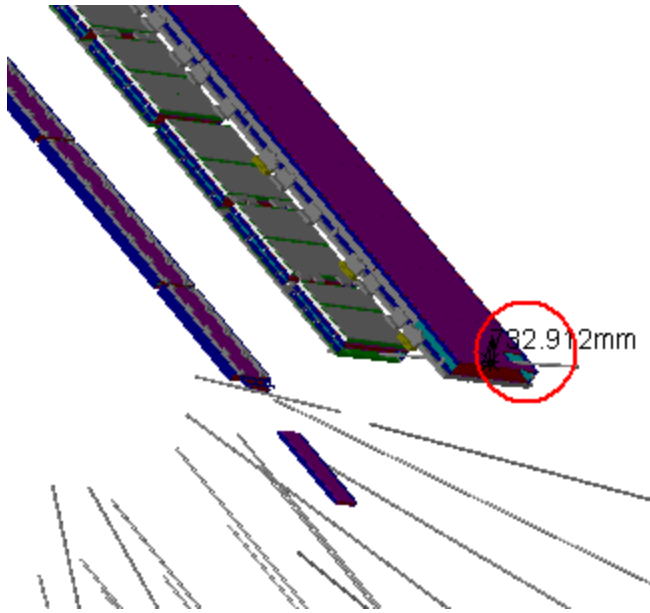


Side A
Sector 10

Clash View 1:

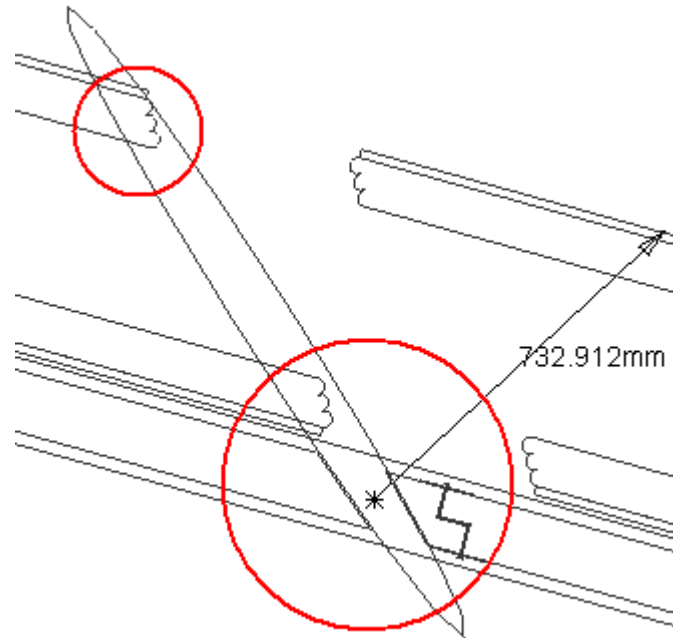
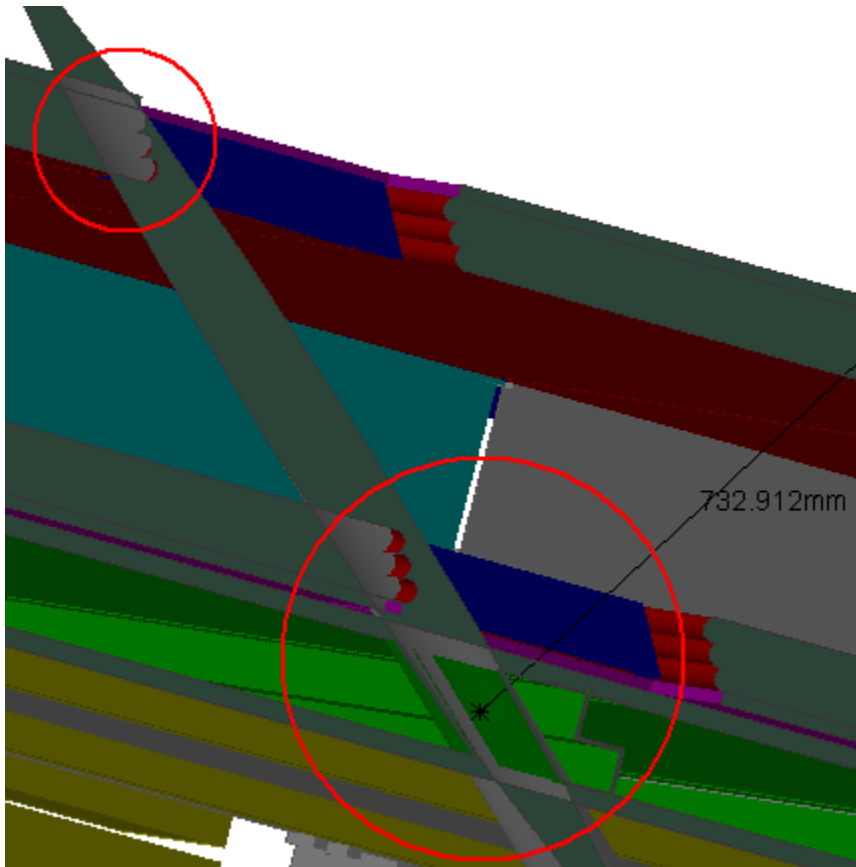


AT602168 MQ MCB Muon Barrel Chambers Detailed sector 10	ATCNMA_0010 END CAP ALIGNMENT SIDE "C" - SIMPLE 3-D MODEL.	Clash	-732.91mm	Not inspected
--	--	-------	-----------	---------------

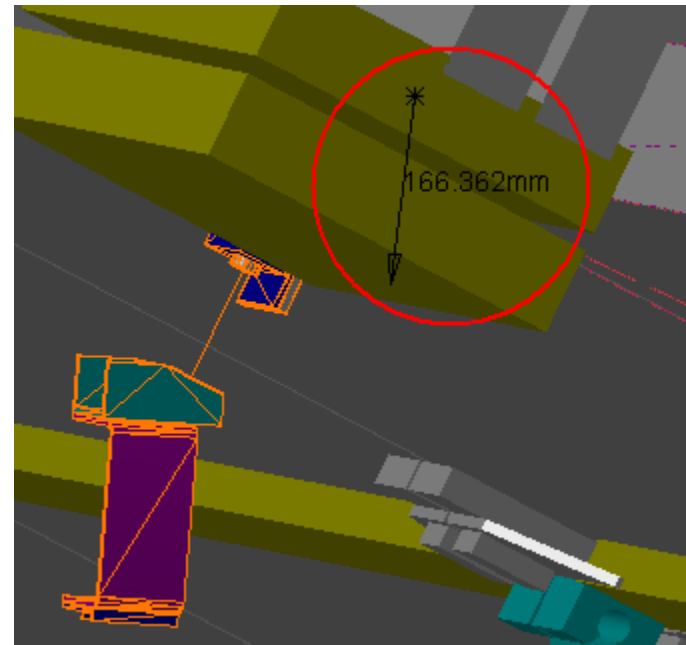
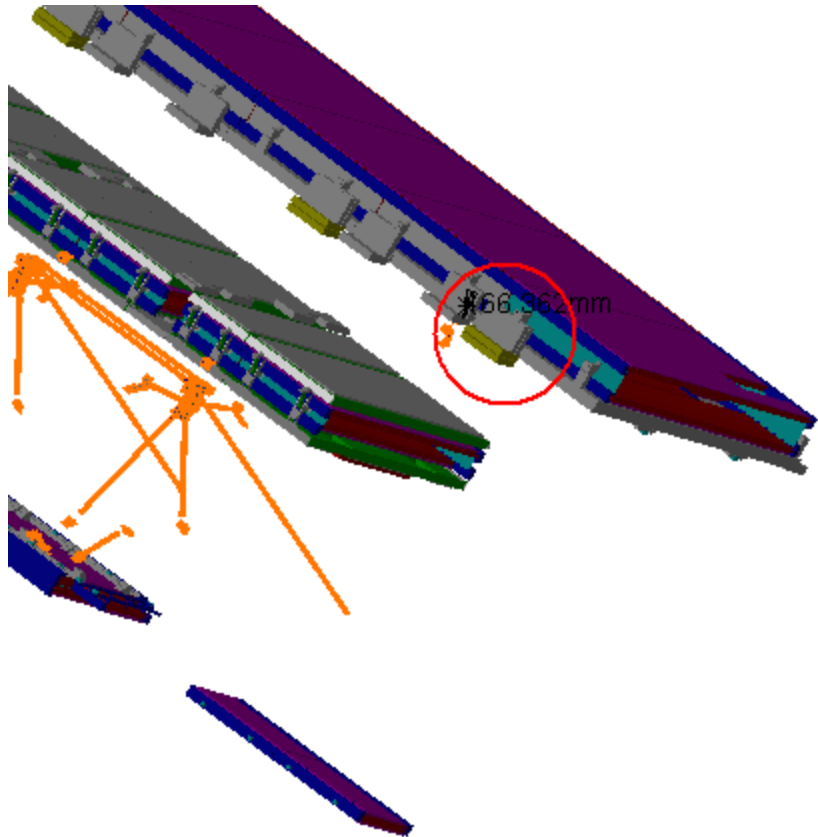


Side C
Sector 10

Clash View 1:



AT602168 MQ MCB Muon Barrel Chambers Detailed sector 10	ATCNMA_0015 SECTOR 10 SIDE C (A) - REFERENCE ALIGNMENT SYSTEM AND	Clash	-166.36mm	Not inspected
--	---	-------	-----------	---------------



Side C
Sector 10

Clash View 1:

