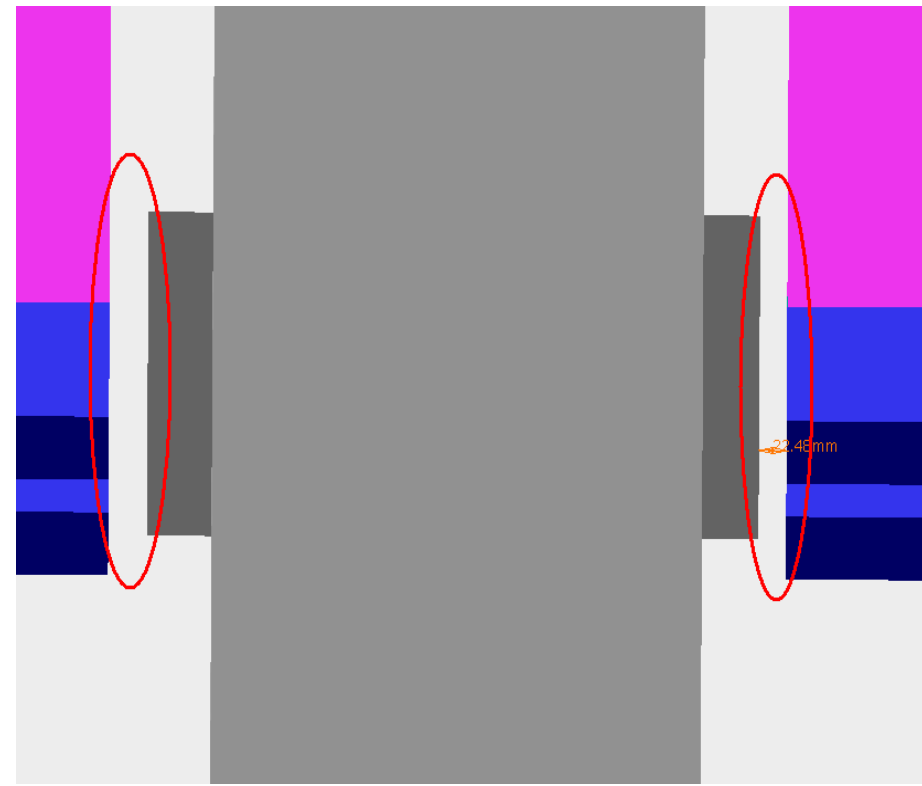
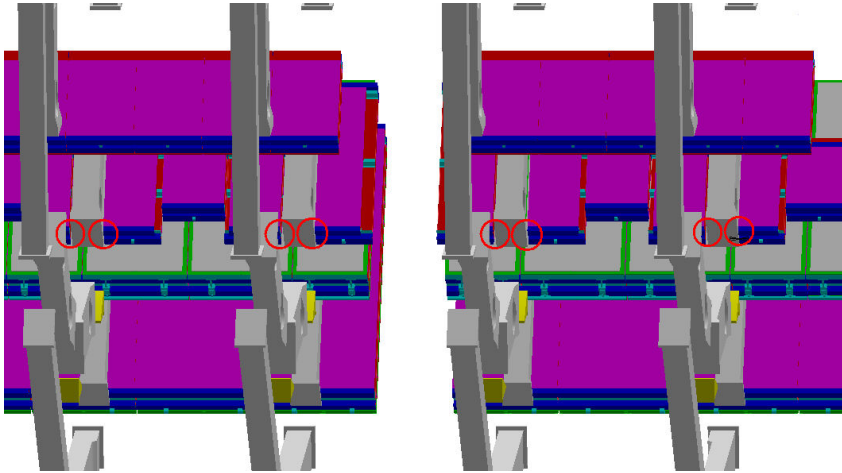


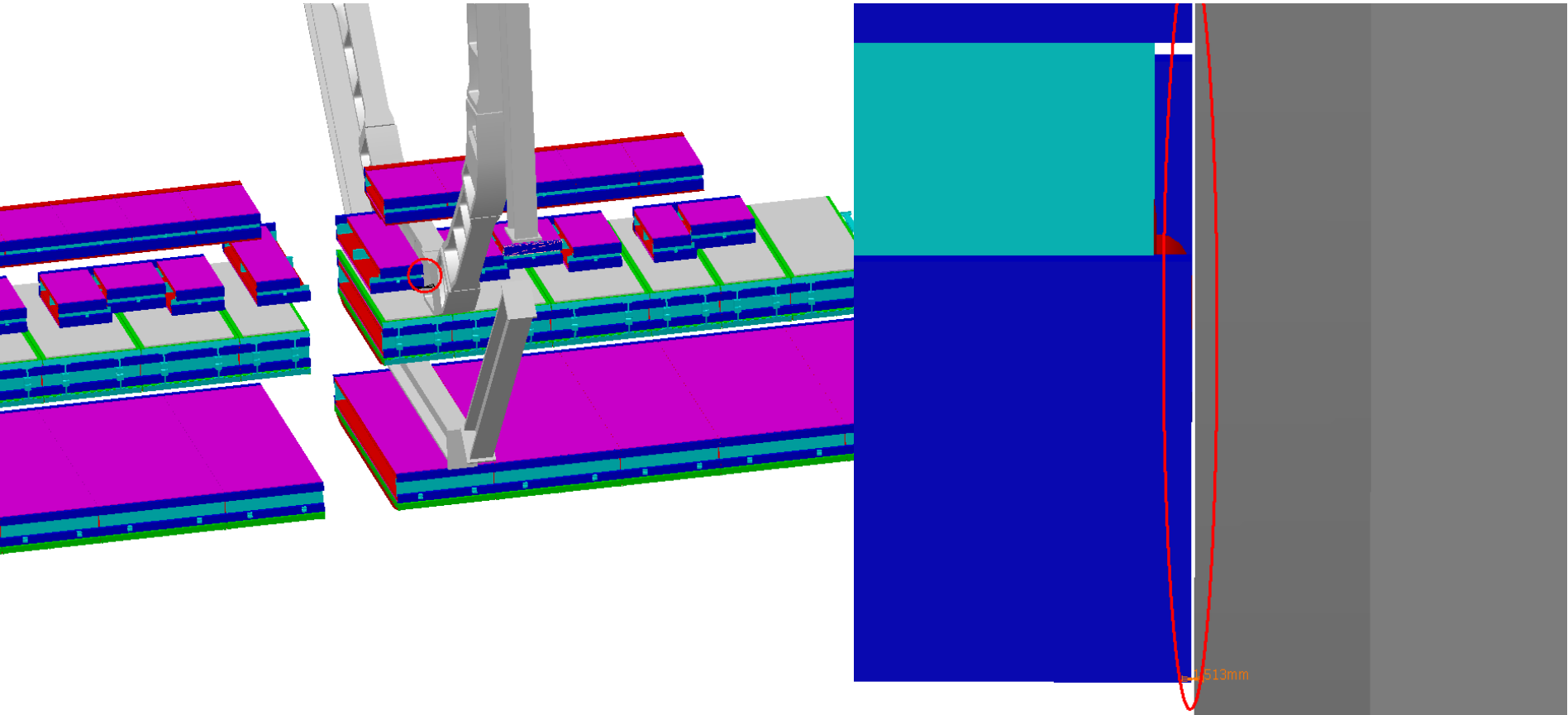
<b>AT602167MQ</b> - MUON BARREL CHAMBERS DETAILED, SECTOR 15	<b>NTB_0003</b> - TB WARM STRUCTURE - SIMPLIFIED 3-D OBJECT	Clearance	22.5 mm			Warning
			$\Delta X \approx 0$	$\Delta Y \approx -22.5$	$\Delta Z \approx 0$	



SIDE A-C

Sector 15

AT602167MQ - MUON BARREL CHAMBERS DETAILED, SECTOR 15	NTB_0005 - TB WARM STRUCTURE - RING OF THE VOUSOIRS, STRUTS	Clearance	1.5 mm			Warning
			$\Delta X \approx 0$	$\Delta Y \approx 1.5$	$\Delta Z \approx 0$	



Tatiana: Check with VTB

SIDE C  
Sector 15

Lasha: I have checked with VTB, cutout exists. Clearance is 27mm.

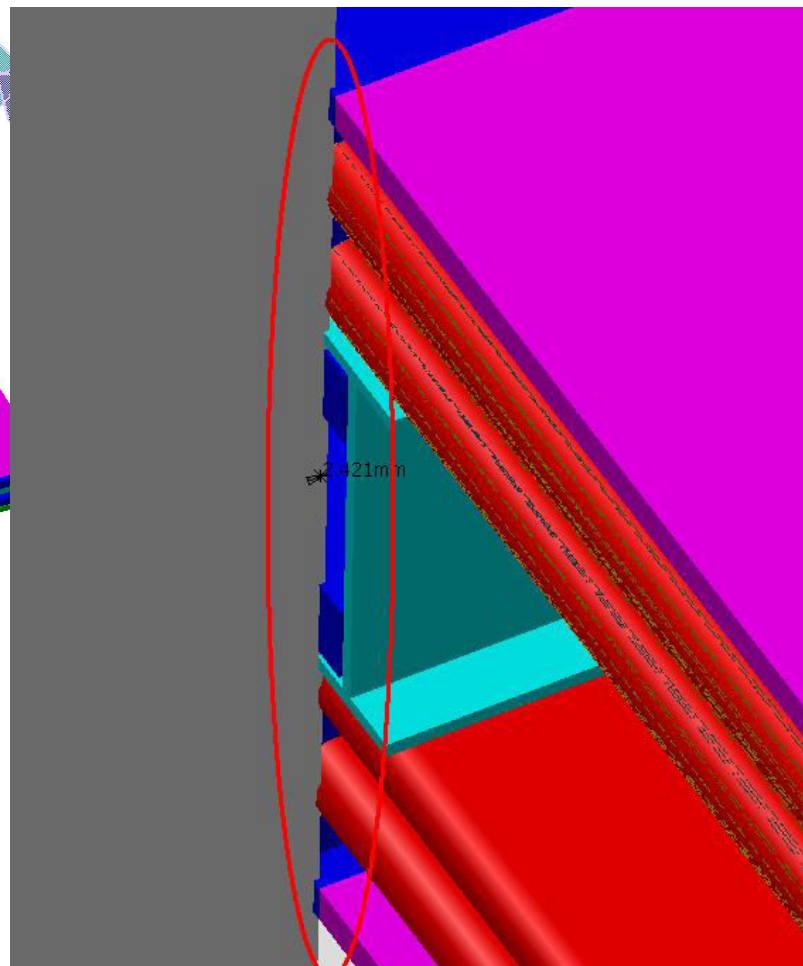
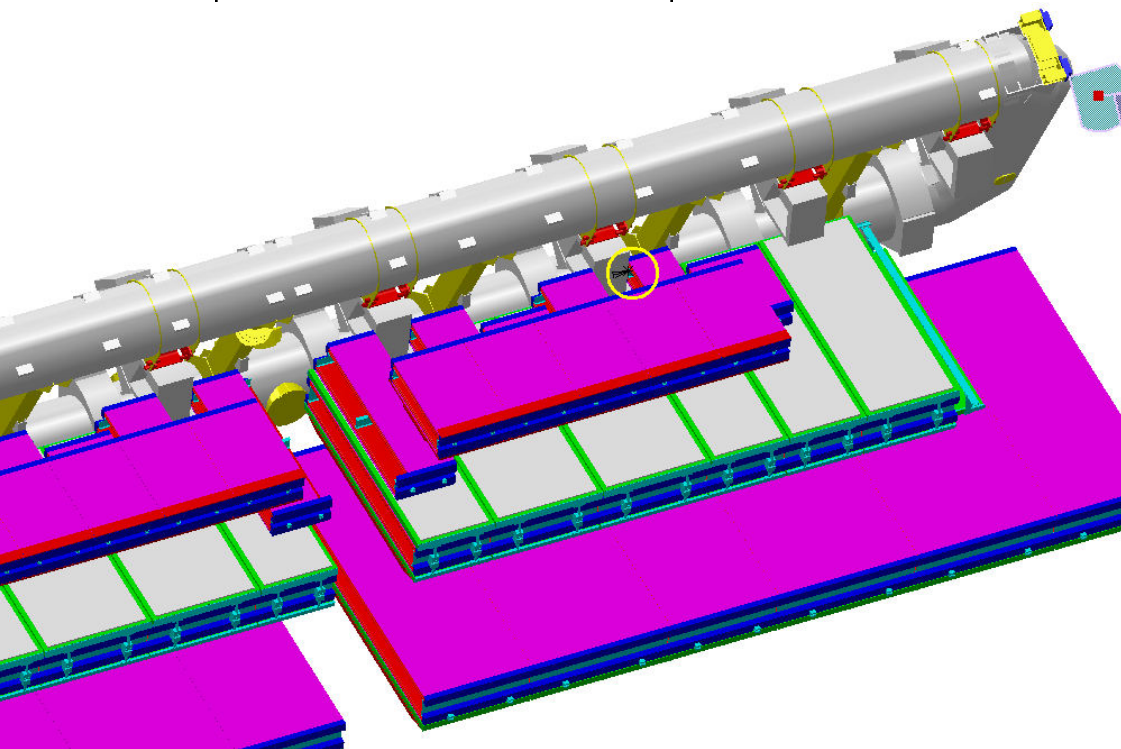
AT602167MQ - MUON BARREL  
CHAMBERS DETAILED, SECTOR  
15

NTB\_0007 - TB FEET COIL - SECTOR 14

Clash

-2.4 mm

Warning



Clash value: ~ 2.4 mm

SIDE A-C

Sector 15

Tatiana: Check with VTB

The identical clash exists on the opposite side

Lasha: I have checked with VTB, cutout exists and there is no clash, however clearance is 22mm.

# Clash View:

