

Clearance Publish

Clearance = 50mm



Clearance Computation Specification

Products Selected		Value	Status
AT602167MQ - MUON BARREL CHAMBERS DETAILED, SECTOR 15	VHB_0001 - CENTRAL PAIR OF FEET B - DETAILED MODEL FOR STANDARDS	41.2mm	Not Relevant
	VHB_0002 - STANDARD PAIR OF FEET A1 (C1) - DETAILED MODEL FOR STANDARDS	41.2mm	Not Relevant
	VHB_0003 - STANDARD PAIR OF FEET A2 (C2) - DETAILED MODEL FOR STANDARDS	34.3mm	Not Relevant
	VHB_0008 - FOOT B WITH BRACKET HOLES - MAIN BOLTS AND WELDINGS	41.2mm	Not Relevant
	ATCVHB_0002 M - STANDARD PAIR OF FEET A1 (C1) - DETAILED MODEL FOR STANDARDS	41.2mm	Not Relevant
	ATCVHB_0003 M - STANDARD PAIR OF FEET A2 (C2) - DETAILED MODEL FOR STANDARDS	34.3mm	Not Relevant
	AT602342MQ - MUON BARREL CHAMBERS DETAILED, SECTOR 16 *	Not defined	-
	NTB_0003 - TB WARM STRUCTURE - SIMPLIFIED 3-D OBJECT	22.5mm	Warning
	NTB_0005 - TB WARM STRUCTURE - RING OF THE VOUSOIRS, STRUTS	1.5mm	Not Relevant

Computation Result:

* Unable to define the clearance value on my PC

**AT602167MQ - MUON
BARREL CHAMBERS
DETAILED, SECTOR 15**

**VHB_0001 - CENTRAL PAIR OF FEET
B - DETAILED MODEL FOR
STANDARDS**

Clearance

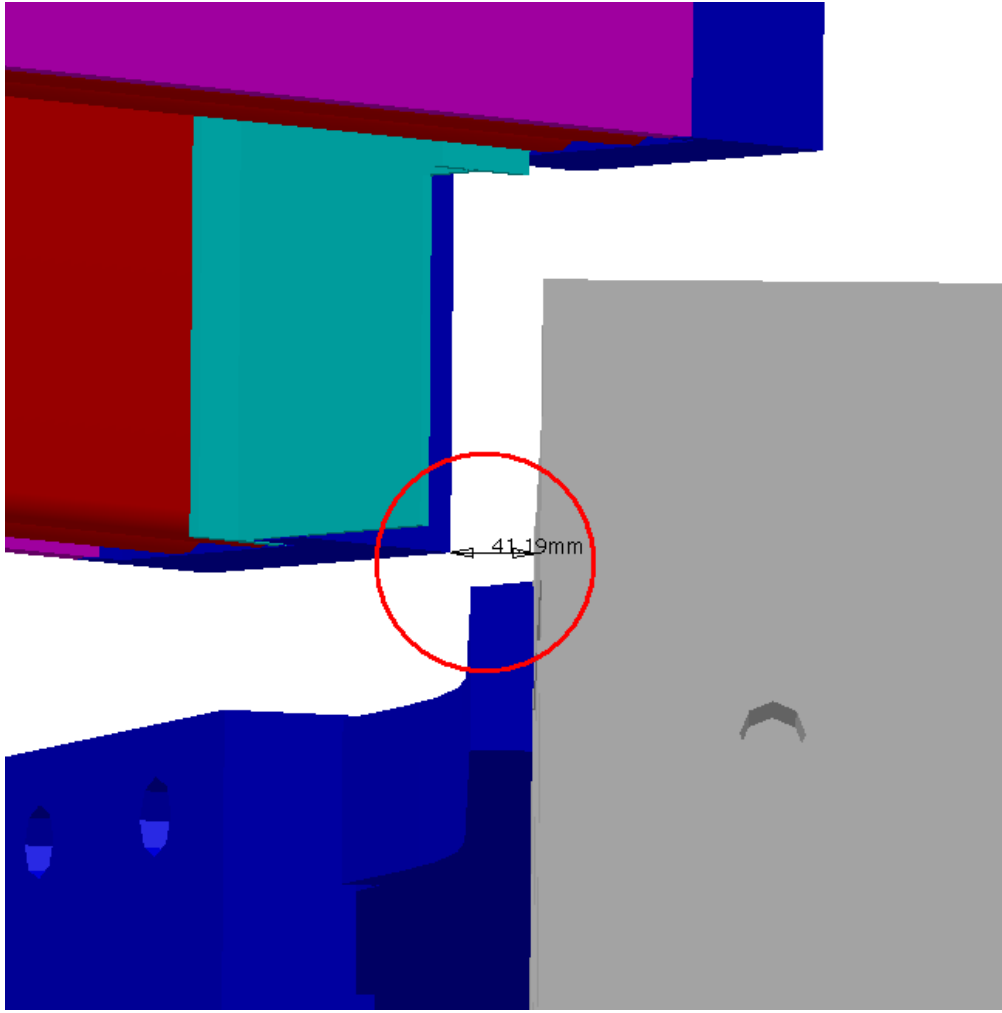
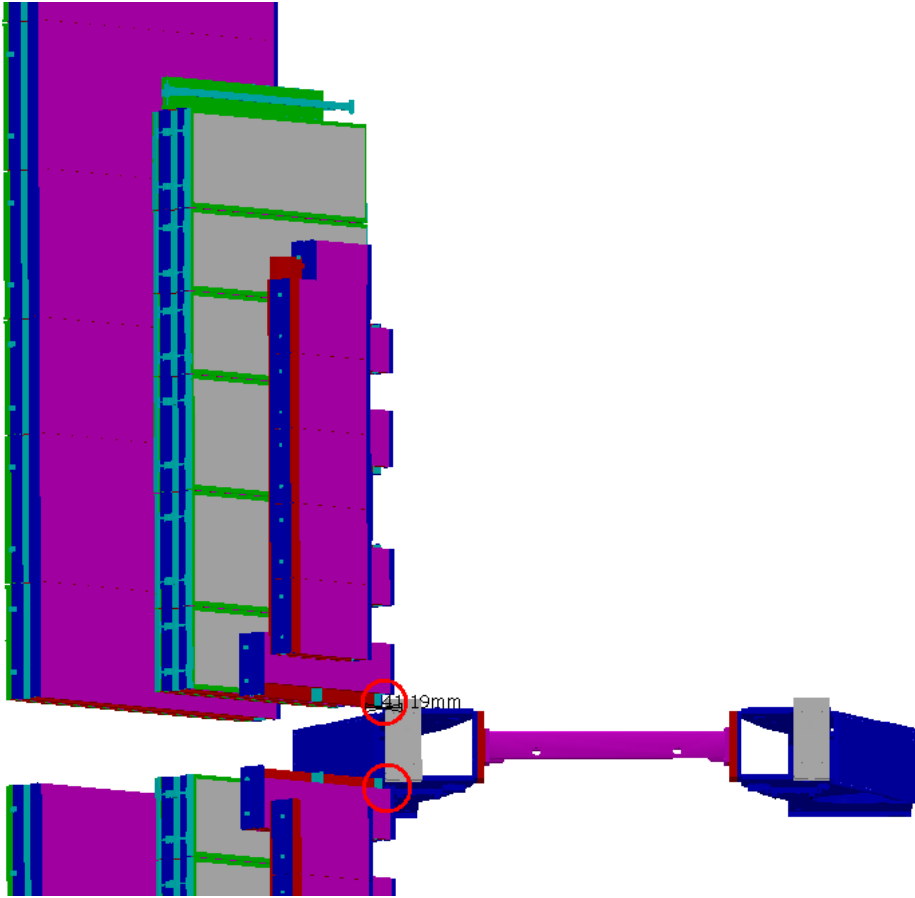
41.2 mm

$\Delta X \approx -41.2$

$\Delta Y \approx 0$

$\Delta Z \approx 0$

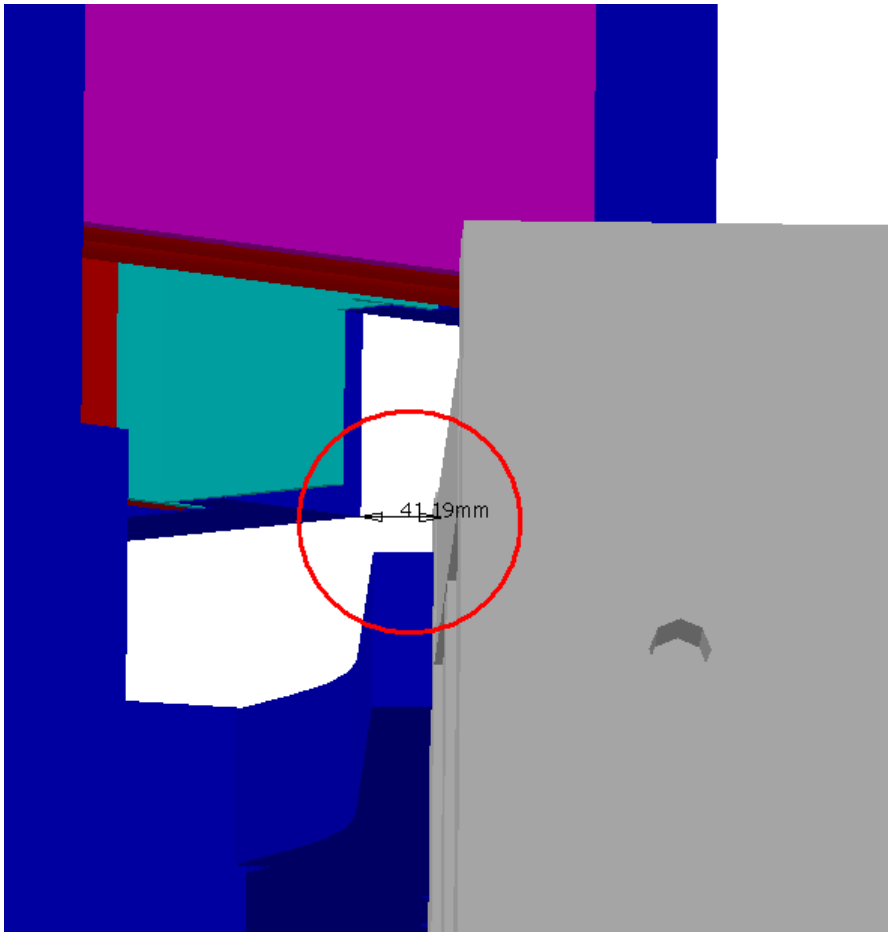
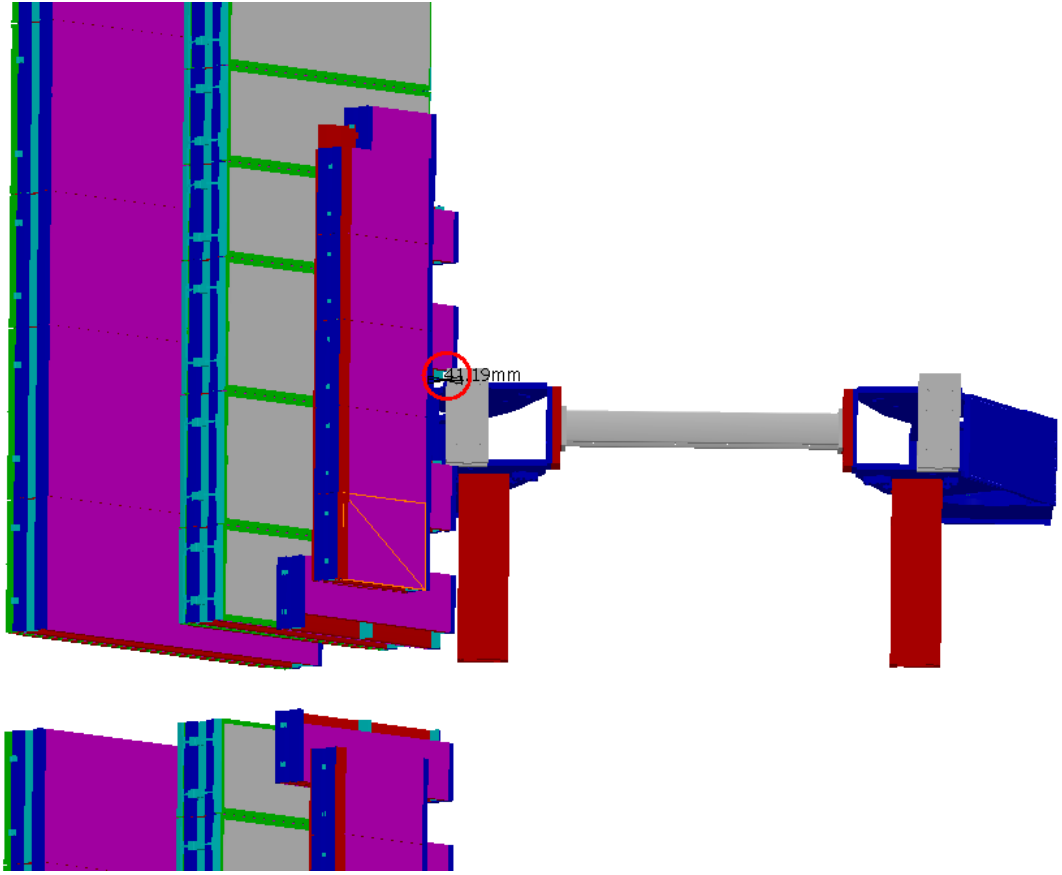
Not Relevant



SIDE A-C
Sector 15

Olga: Accepted

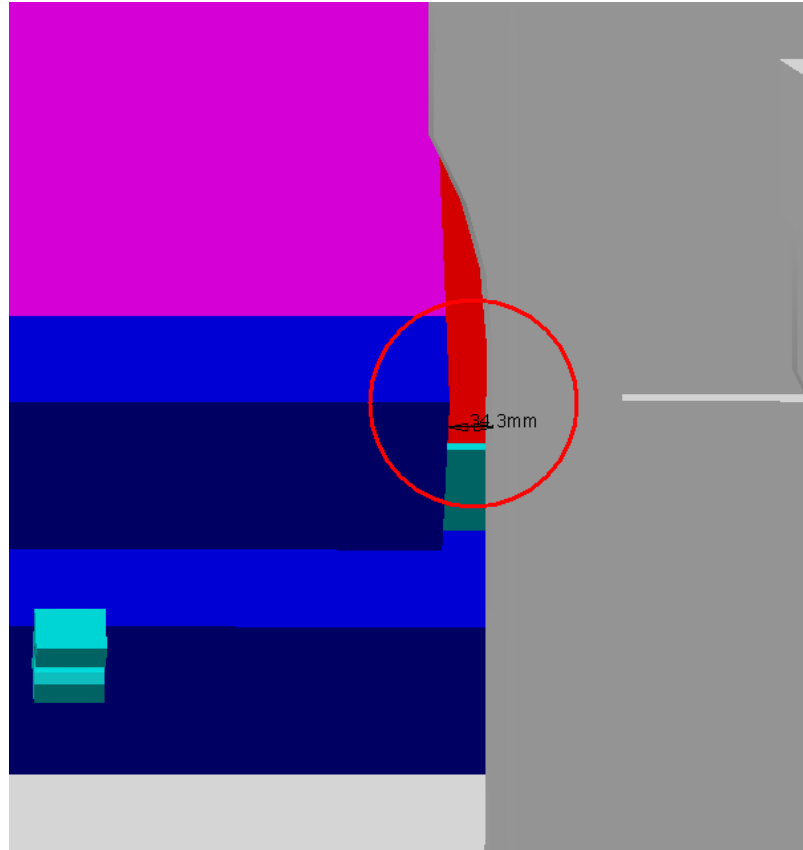
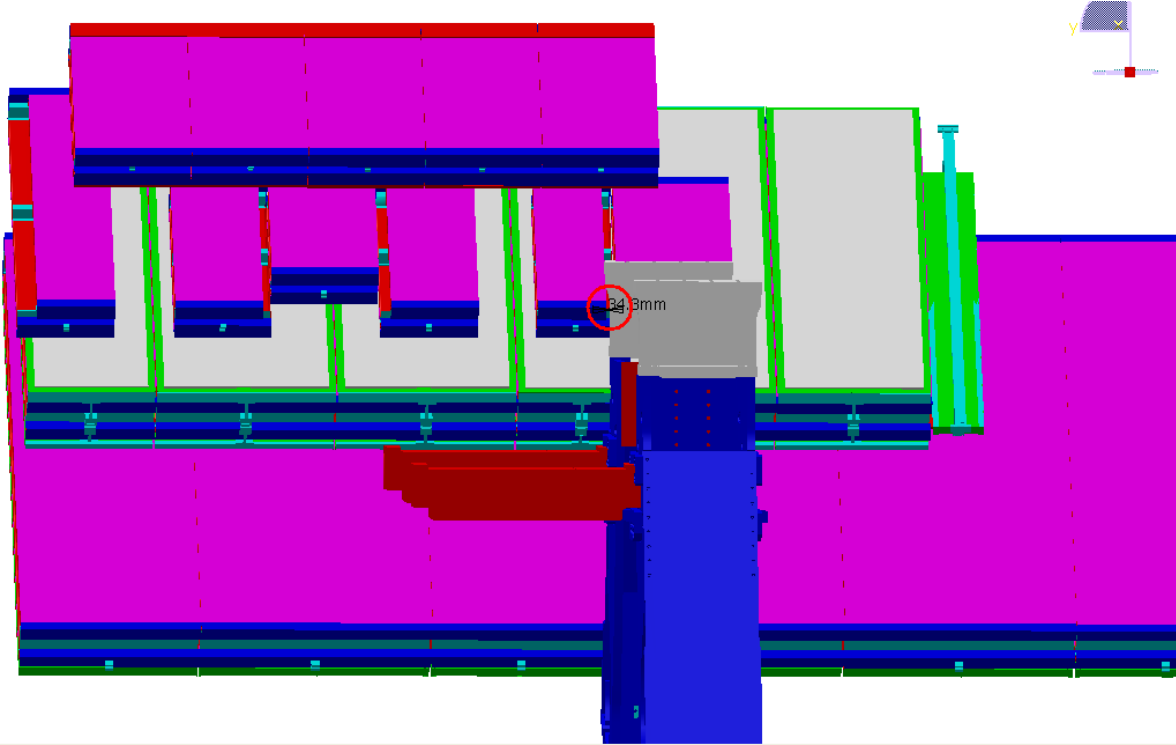
AT602167MQ - MUON BARREL CHAMBERS DETAILED, SECTOR 15	VHB_0002 - STANDARD PAIR OF FEET A1 (C1) - DETAILED MODEL FOR STANDARDS	Clearance	41.2 mm			Not Relevant
			$\Delta X \approx -41.2$	$\Delta Y \approx 0$	$\Delta Z \approx 0$	



SIDE A
Sector 15

Olga: Accepted

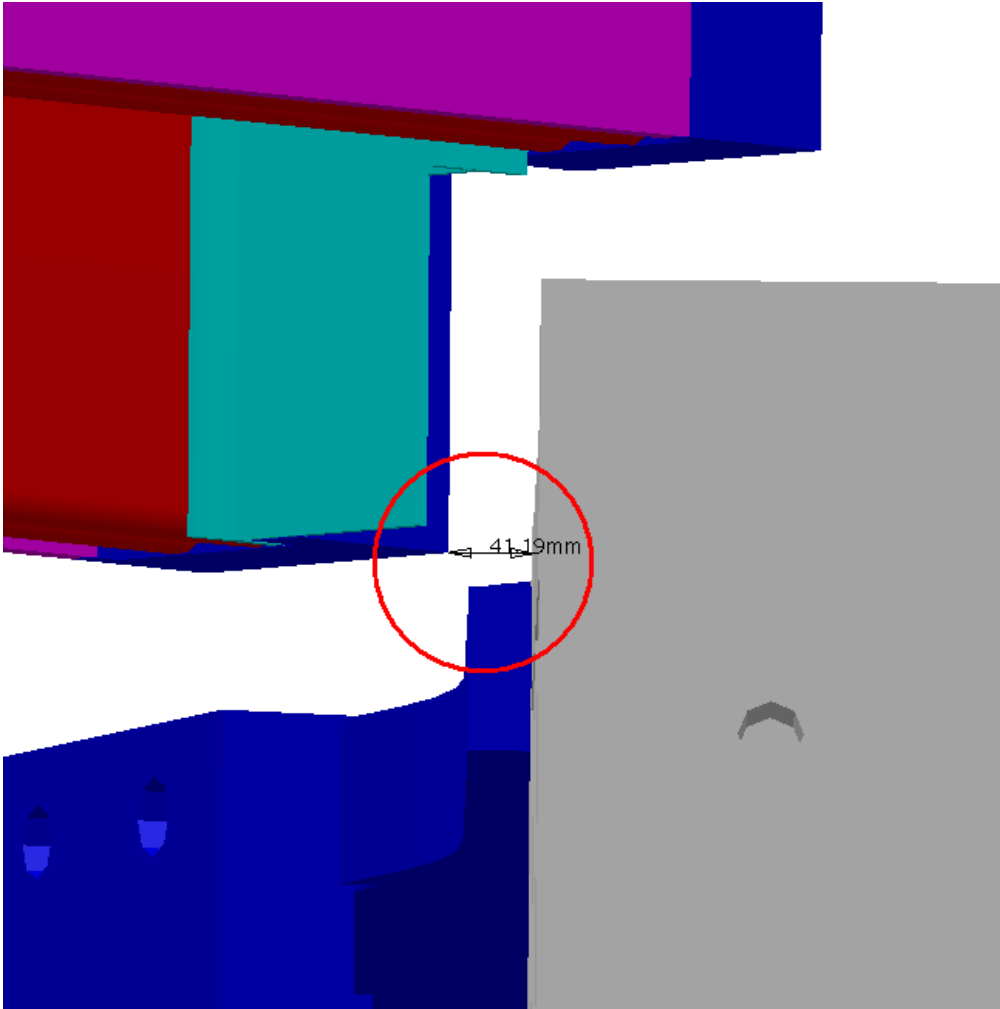
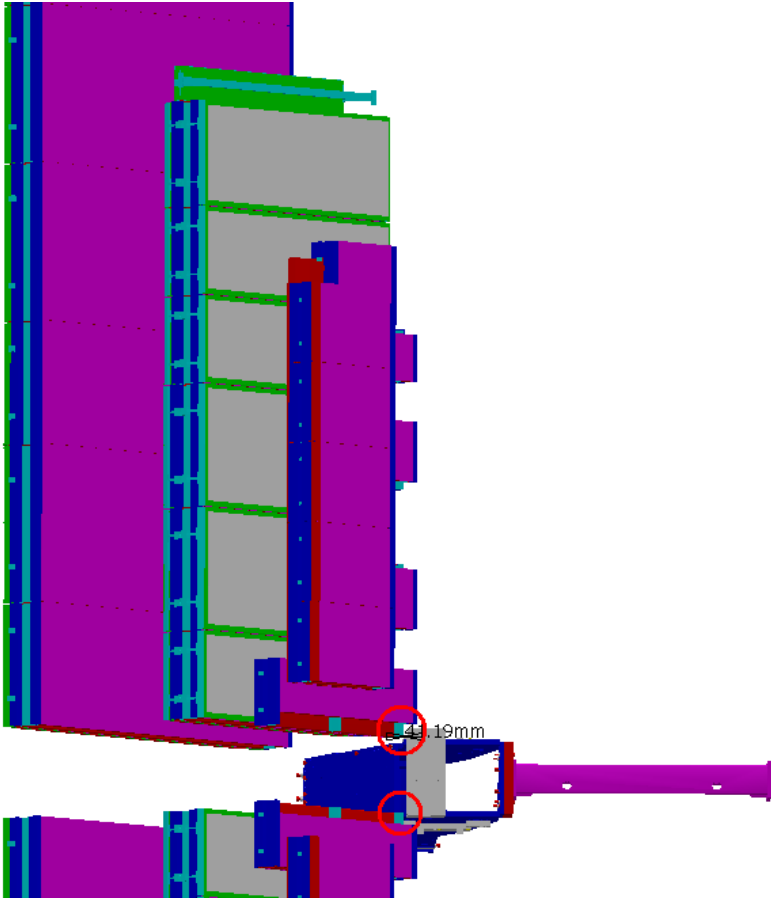
AT602167MQ - MUON BARREL CHAMBERS DETAILED, SECTOR 15	VHB_0003 - STANDARD PAIR OF FEET A2 (C2) - DETAILED MODEL FOR STANDARDS	Clearance	34.3 mm			Not Relevant
			$\Delta X \approx 0$	$\Delta Y \approx -34.2$	$\Delta Z \approx 0$	



SIDE A
Sector 15

Olga: Accepted

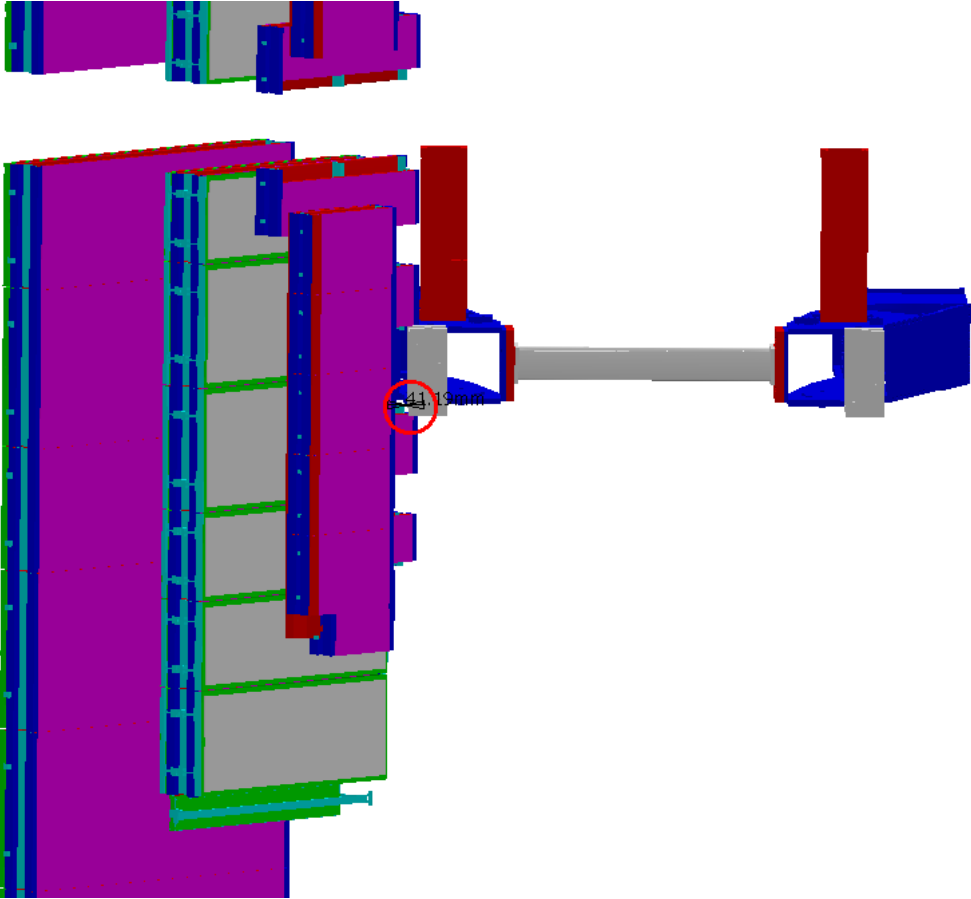
AT602167MQ - MUON BARREL CHAMBERS DETAILED, SECTOR 15	VHB_0008 - FOOT B WITH BRACKET HOLES - MAIN BOLTS AND WELDINGS	Clearance	41.2 mm			Not Relevant
			$\Delta X \approx -41.2$	$\Delta Y \approx 0$	$\Delta Z \approx 0$	



SIDE A-C
Sector 15

Olga: Accepted

AT602167MQ - MUON BARREL CHAMBERS DETAILED, SECTOR 15	ATCVHB_0002 M - STANDARD PAIR OF FEET A1 (C1) - DETAILED MODEL FOR STANDARDS	Clearance	41.2 mm			Not Relevant
			$\Delta X \approx -41.2$	$\Delta Y \approx 0$	$\Delta Z \approx 0$	

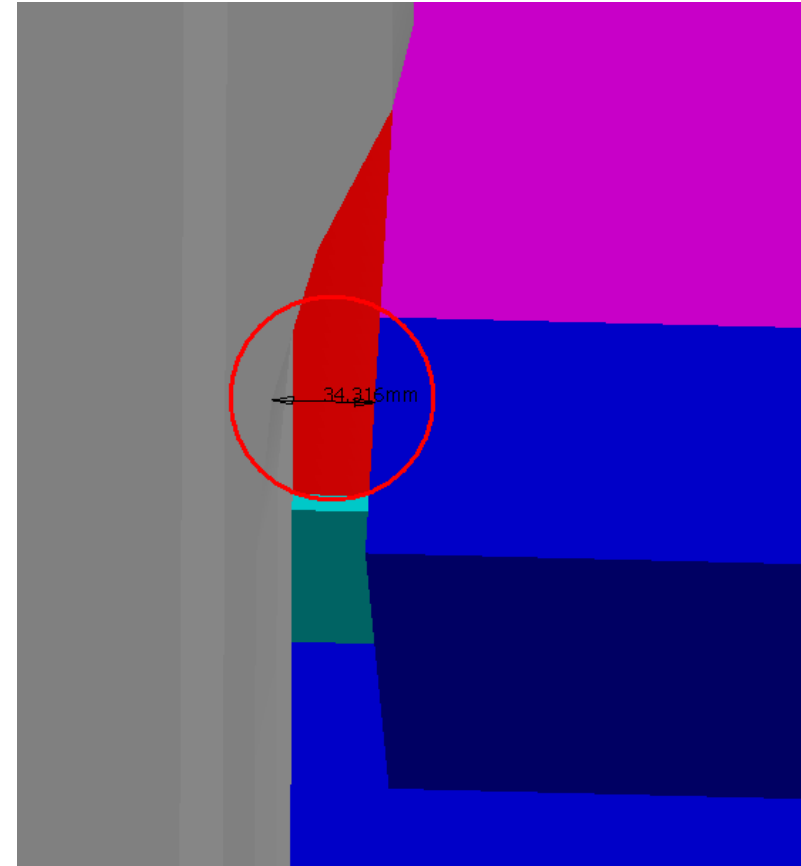
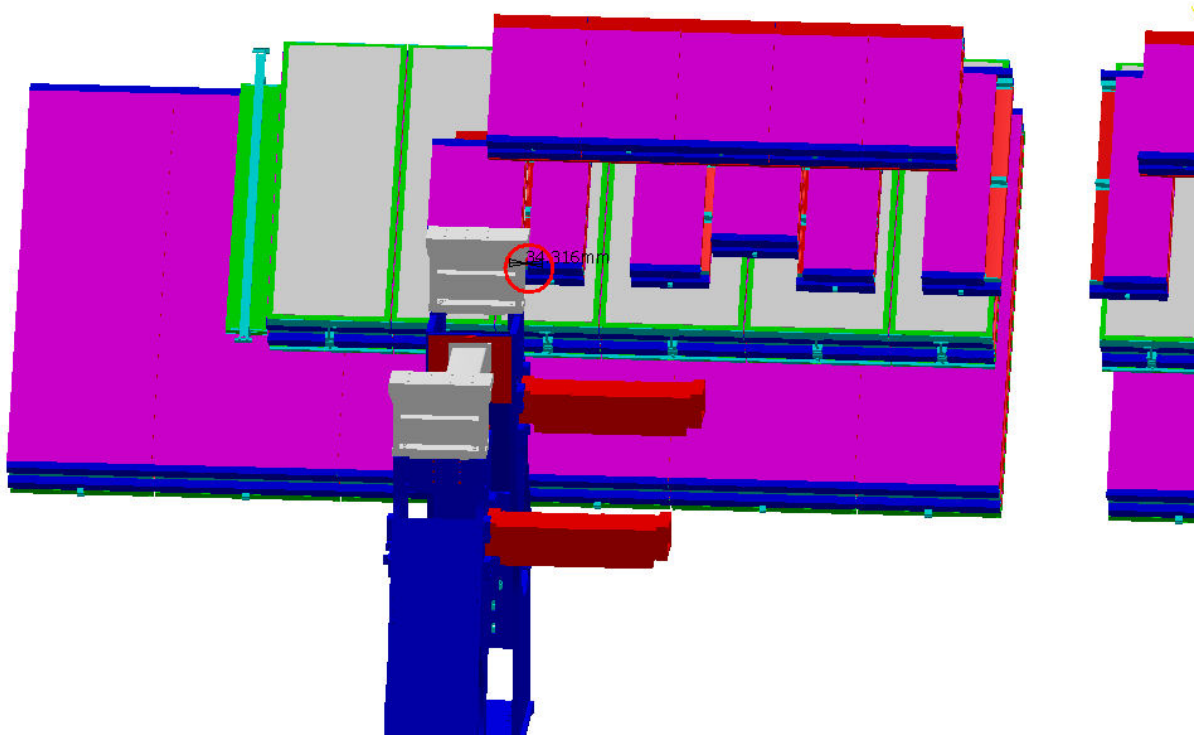


SIDE C

Sector 15

Olga: Accepted

AT602167MQ - MUON BARREL CHAMBERS DETAILED, SECTOR 15	ATCVHB_0003 M - STANDARD PAIR OF FEET A2 (C2) - DETAILED MODEL FOR STANDARDS	Clearance	34.3 mm			Not Relevant
			$\Delta X \approx 0$	$\Delta Y \approx 34.2$	$\Delta Z \approx 0.5$	



SIDE C
Sector 15

Olga: Accepted

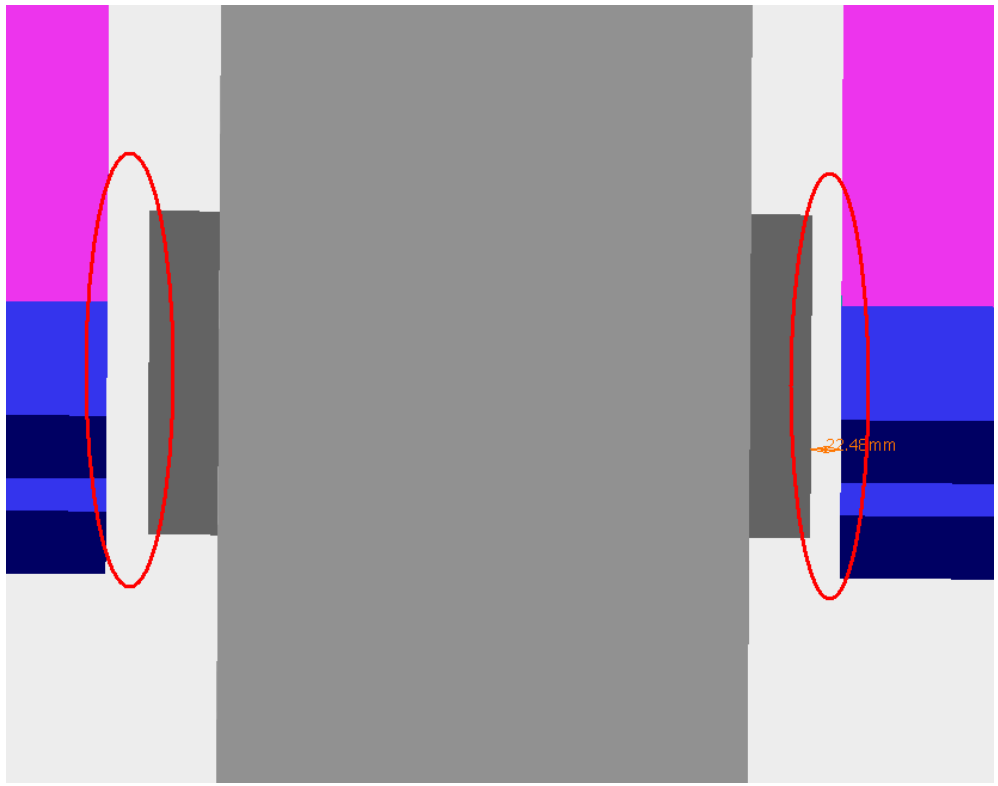
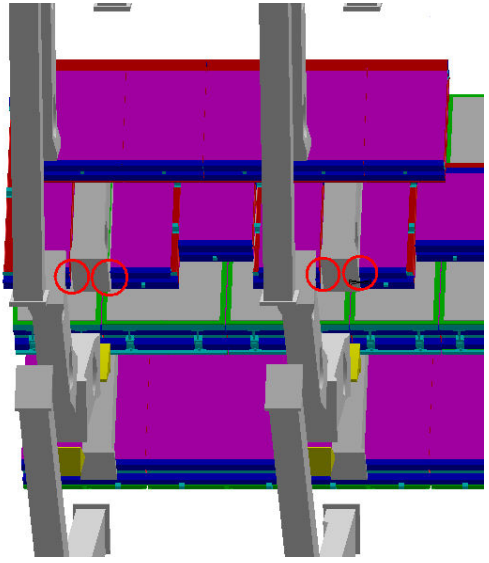
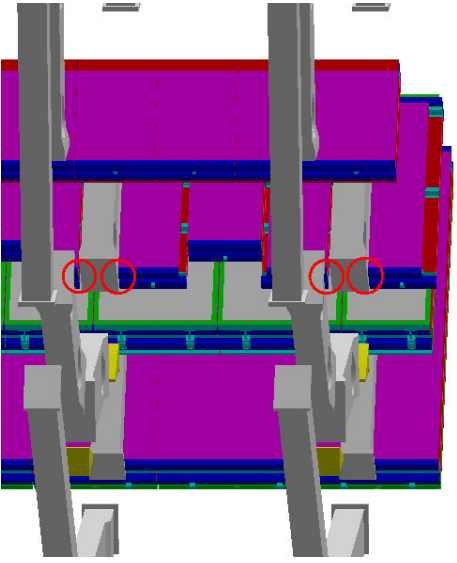
WARNING

**AT602167MQ - MUON
BARREL CHAMBERS
DETAILED, SECTOR 15**

**NTB_0003 - TB WARM STRUCTURE -
SIMPLIFIED 3-D OBJECT**

Clearance	22.5 mm		
	$\Delta X \approx 0$	$\Delta Y \approx -22.5$	$\Delta Z \approx 0$

Warning



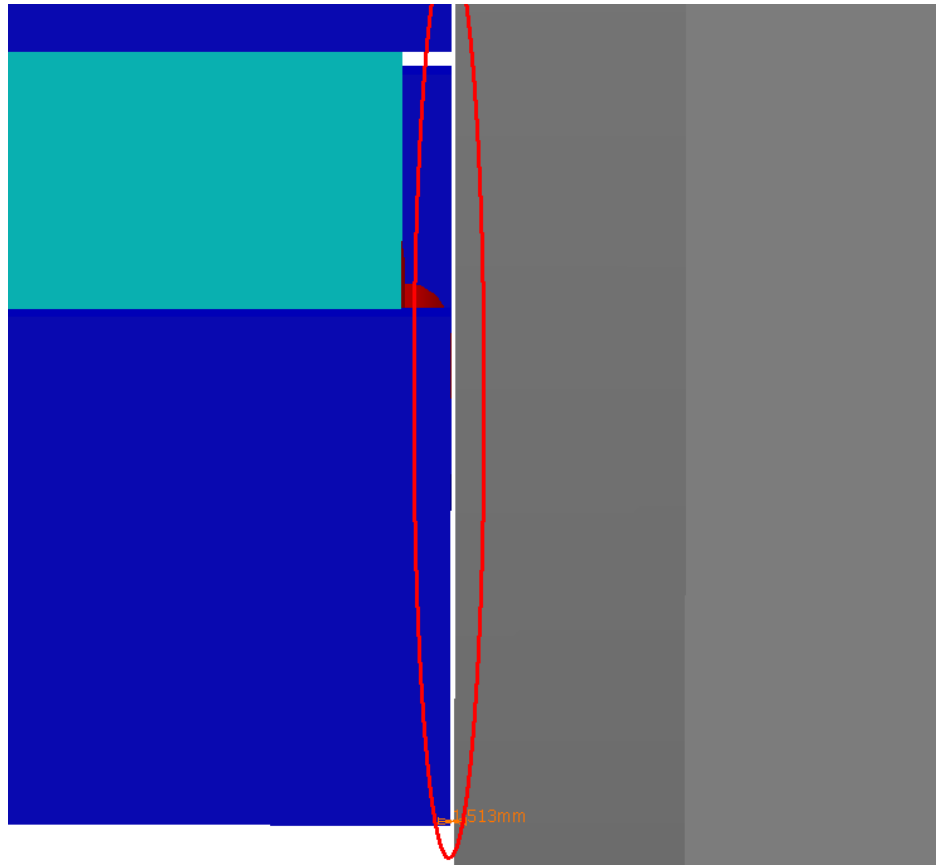
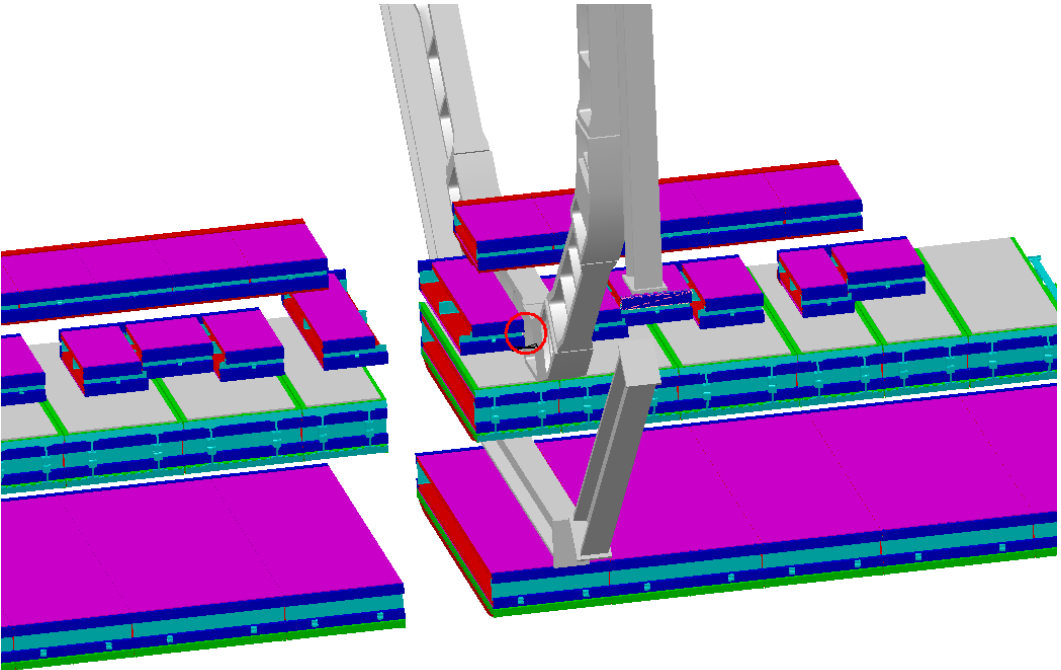
SIDE A-C
Sector 15

**AT602167MQ - MUON
BARREL CHAMBERS
DETAILED, SECTOR 15**

**NTB_0005 - TB WARM STRUCTURE -
RING OF THE VOUSOIRS, STRUTS**

Clearance	1.5 mm		
	$\Delta X \approx 0$	$\Delta Y \approx 1.5$	$\Delta Z \approx 0$

Warning



Tatiana: Check with VTB

SIDE C
Sector 15

Lasha: I have checked with VTB, cutout exists.
Clearance is 27mm.