

Clearance Publish

Clearance = 50mm



Clearance Computation Specification

Clearance Computation Specification			
Products Selected		Value	Status
AT602166MQ - MUON BARREL CHAMBERS DETAILED, SECTOR 14	VHB_0002 - STANDARD PAIR OF FEET A1 (C1) - DETAILED MODEL FOR STANDARDS	12.6	Not inspected
	VHB_0003 - STANDARD PAIR OF FEET A2 (C2) - DETAILED MODEL FOR STANDARDS	11	Not inspected
	VHB_0004 - STANDARD PAIR OF FEET A3 (C3) - DETAILED MODEL FOR STANDARDS	16.9	Not inspected
	VHB_0005 - EXTREMITY PAIR OF FEET A4 (C4) - DETAILED MODEL FOR STANDARDS	9.3	Not inspected

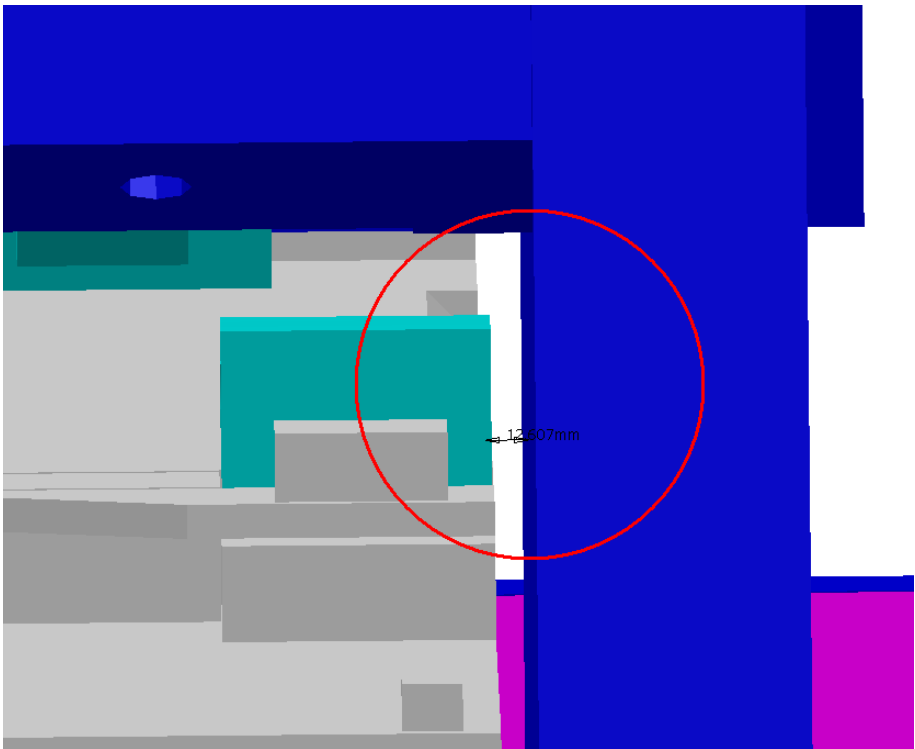
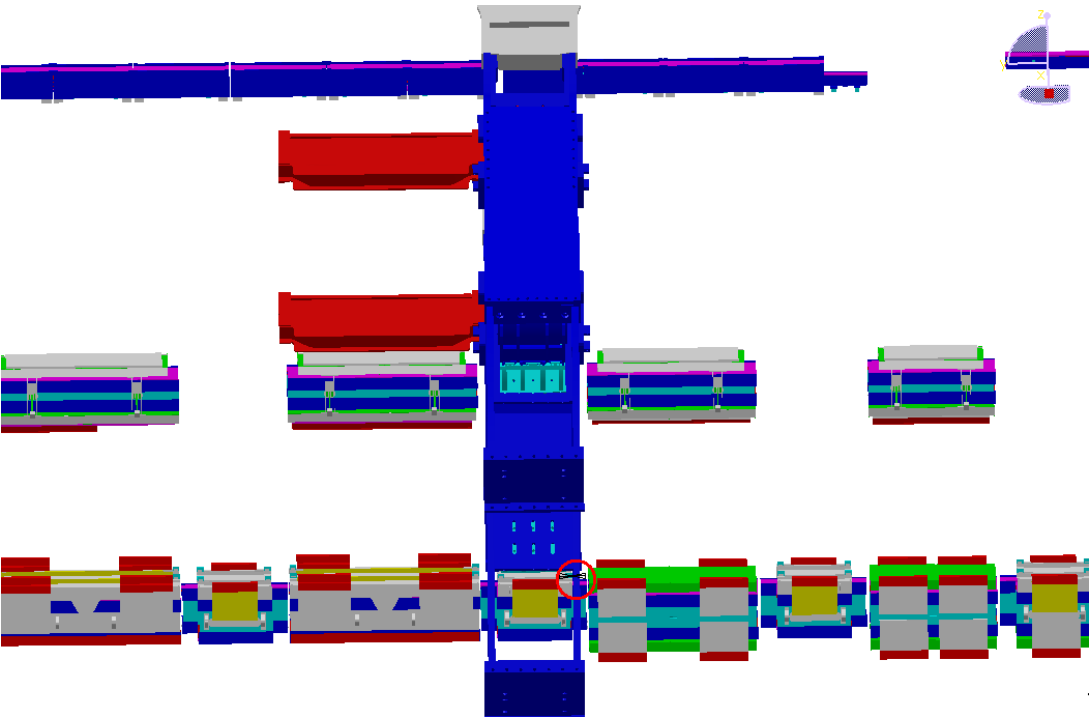
Clearance Computation Specification

Products Selected		Value	Status
AT602166MQ - MUON BARREL CHAMBERS DETAILED, SECTOR 14	ATCVHB_0002 M - STANDARD PAIR OF FEET A1 (C1) - DETAILED MODEL FOR STANDARDS	15.6	Not inspected
	ATCVHB_0003 M - STANDARD PAIR OF FEET A2 (C2) - DETAILED MODEL FOR STANDARDS	14	Not inspected
	ATCVHB_0004 M -STANDARD PAIR OF FEET A3 (C3) - DETAILED MODEL FOR STANDARDS	16.9	Not inspected
	ATCVHB_0005 M -EXTREMITY PAIR OF FEET A4 (C4) - DETAILED MODEL FOR STANDARDS	9.3	Not inspected
	NJ_0003 - JD SHIELDING (SIDE C) - WITH TGC MUON CHAMBERS	23	Not inspected
	NLB_0002 - LB TILE CALORIMETER - SIMPLIFIED 3-D OBJECT *	Not defined	-
	AT602165MQ - MUON BARREL CHAMBERS DETAILED, SECTOR 13	48.7	Not inspected
	NMC_0018 - SMALL WHEEL (SIDE C) - SIMPLIFIED 3-D OBJECT	36.3	Not inspected

Computation Result:

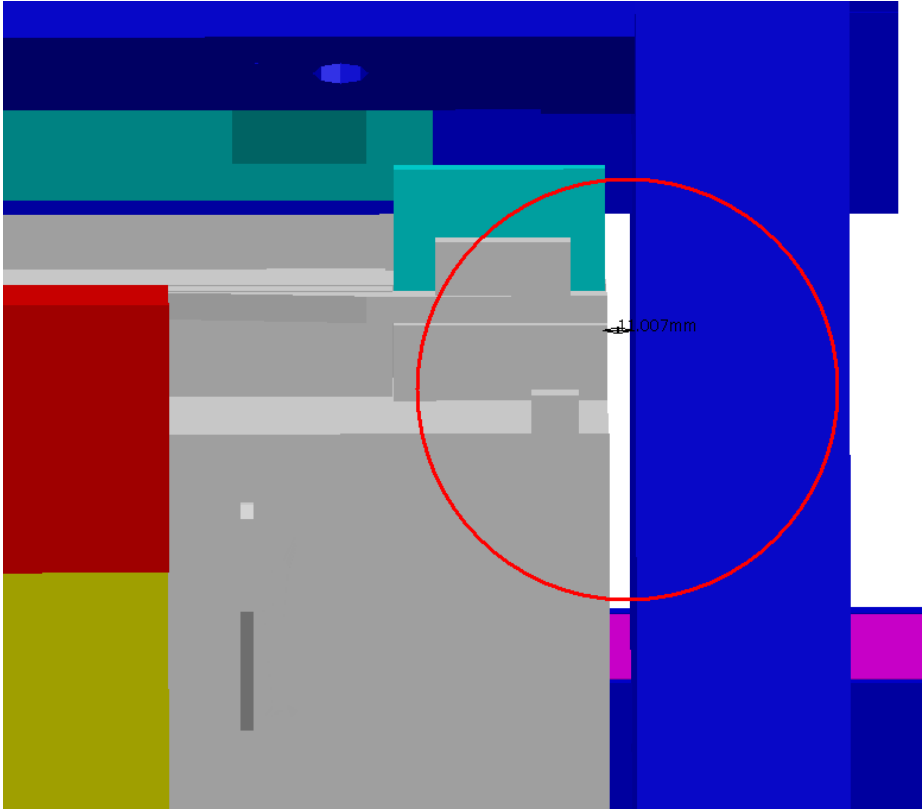
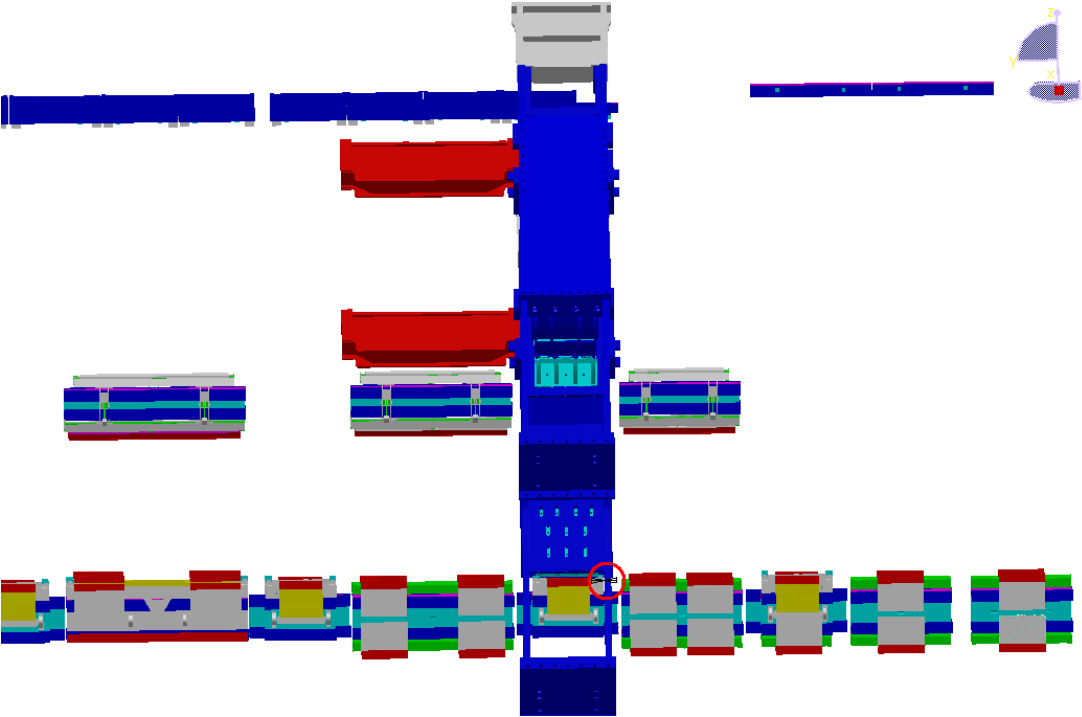
* Unable to define the clearance value on my PC

AT602166MQ - MUON BARREL CHAMBERS DETAILED, SECTOR 14	VHB_0002 - STANDARD PAIR OF FEET A1 (C1) - DETAILED MODEL FOR STANDARDS	Clearance	12.6 mm			Not inspected
			$\Delta X \approx 0$	$\Delta Y \approx -12.6$	$\Delta Z \approx 0$	



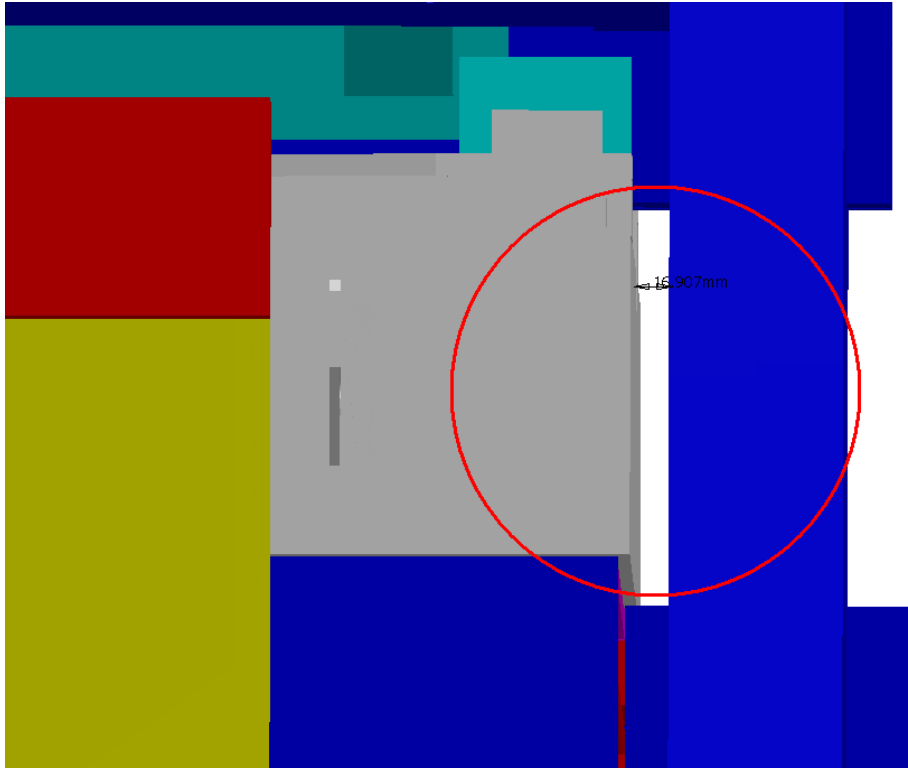
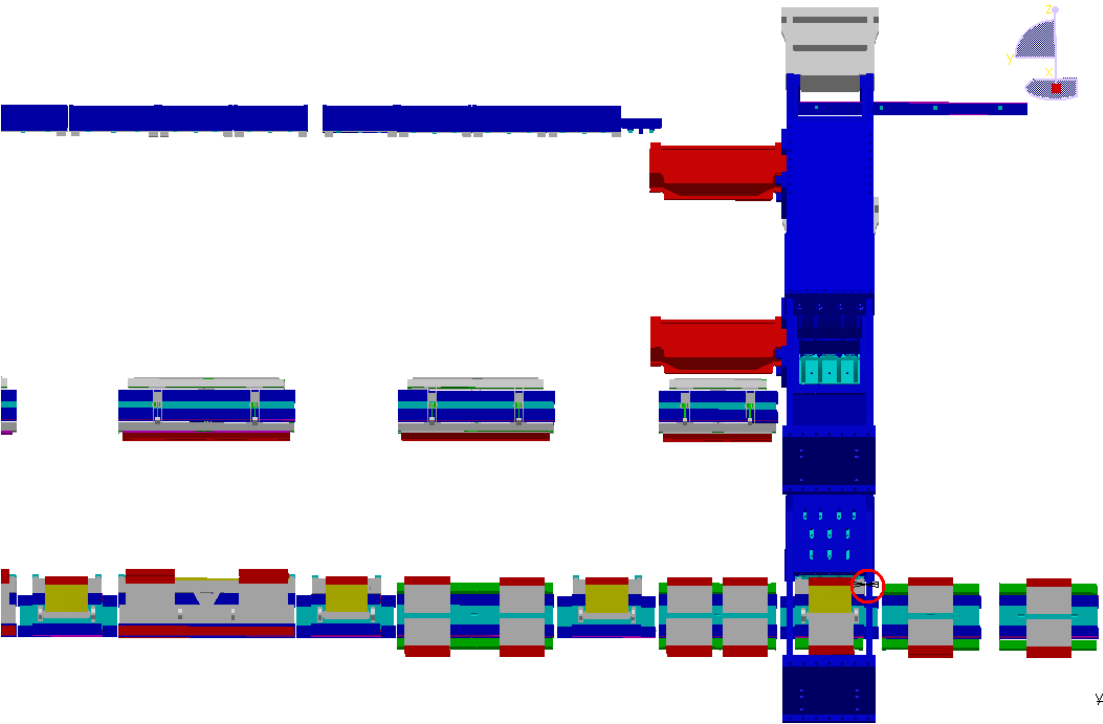
SIDE A
Sector 14

AT602166MQ - MUON BARREL CHAMBERS DETAILED, SECTOR 14	VHB_0003 - STANDARD PAIR OF FEET A2 (C2) - DETAILED MODEL FOR STANDARDS	Clearance	11 mm			Not inspected
			$\Delta X \approx 0$	$\Delta Y \approx -11$	$\Delta Z \approx 0$	



SIDE A
Sector 14

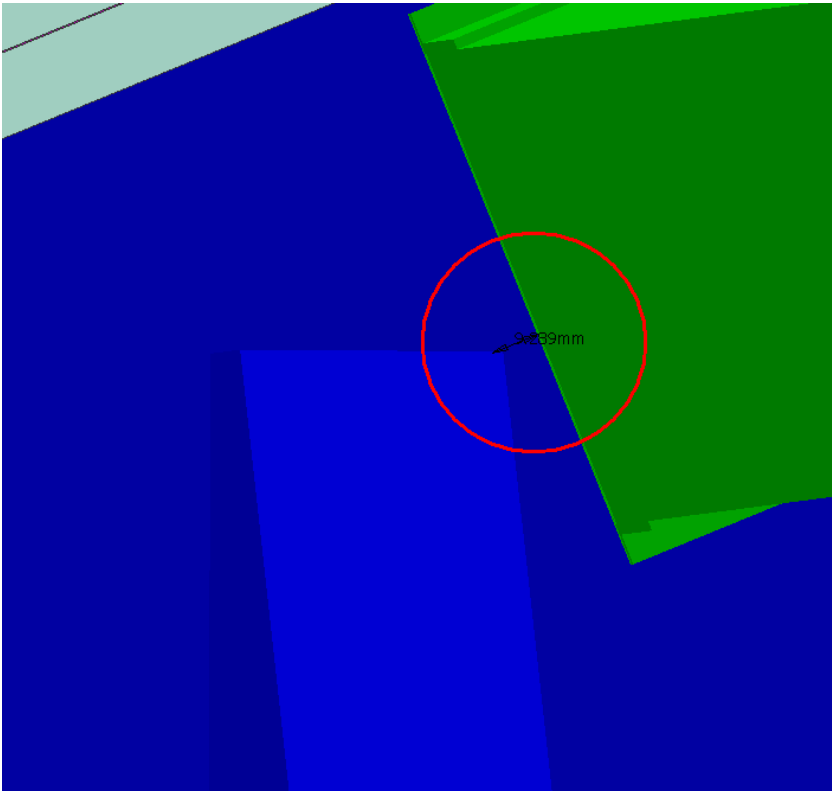
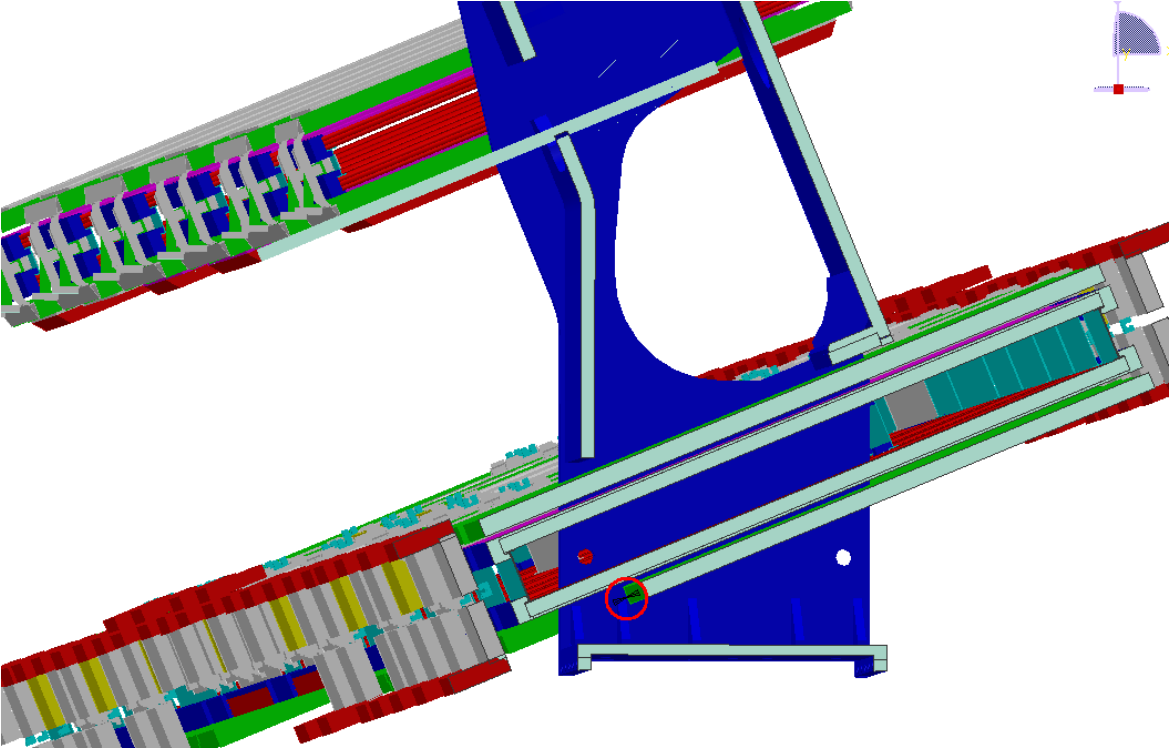
AT602166MQ - MUON BARREL CHAMBERS DETAILED, SECTOR 14	VHB_0004 -STANDARD PAIR OF FEET A3 (C3) - DETAILED MODEL FOR STANDARDS	Clearance	16.9 mm			Not inspected
			$\Delta X \approx 0$	$\Delta Y \approx -16.9$	$\Delta Z \approx 0$	



SIDE A

Sector 14

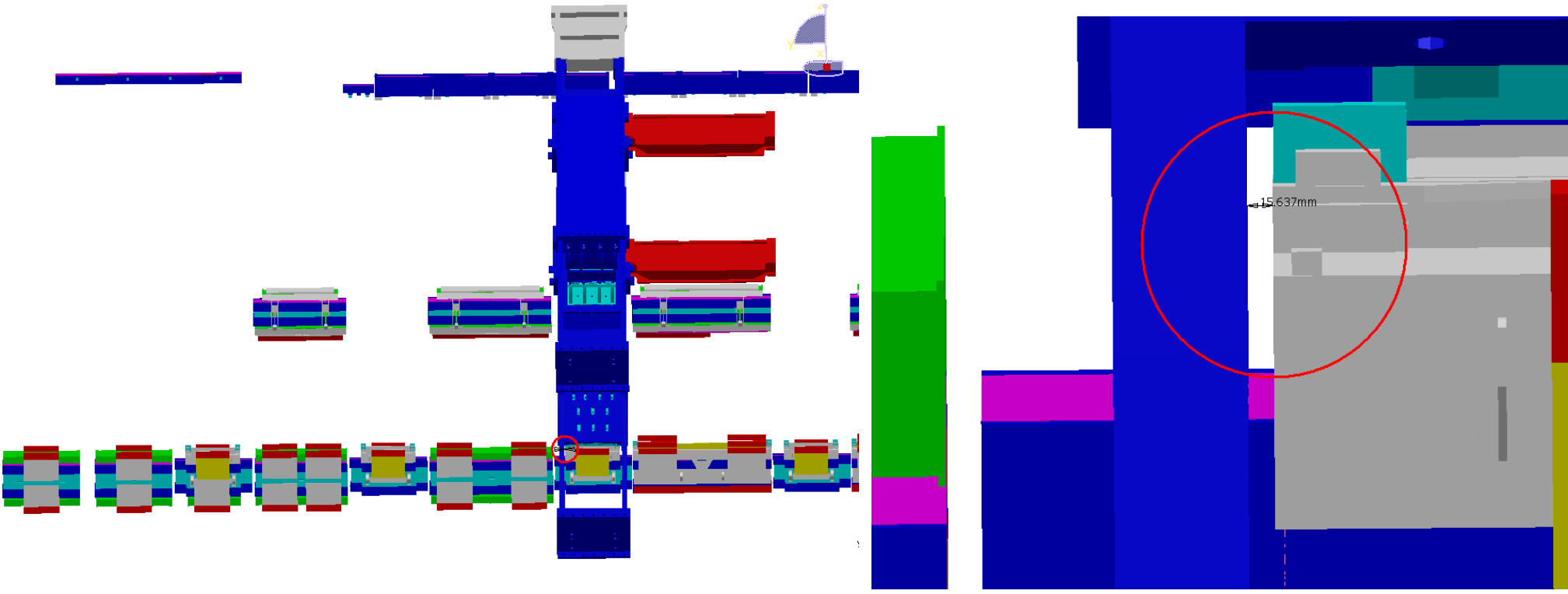
AT602166MQ - MUON BARREL CHAMBERS DETAILED, SECTOR 14	VHB_0005 -EXTREMITY PAIR OF FEET A4 (C4) - DETAILED MODEL FOR STANDARDS	Clearance	9.3 mm			Not inspected
			$\Delta X \approx -8.6$	$\Delta Y \approx 0$	$\Delta Z \approx -3.4$	



SIDE A

Sector 14

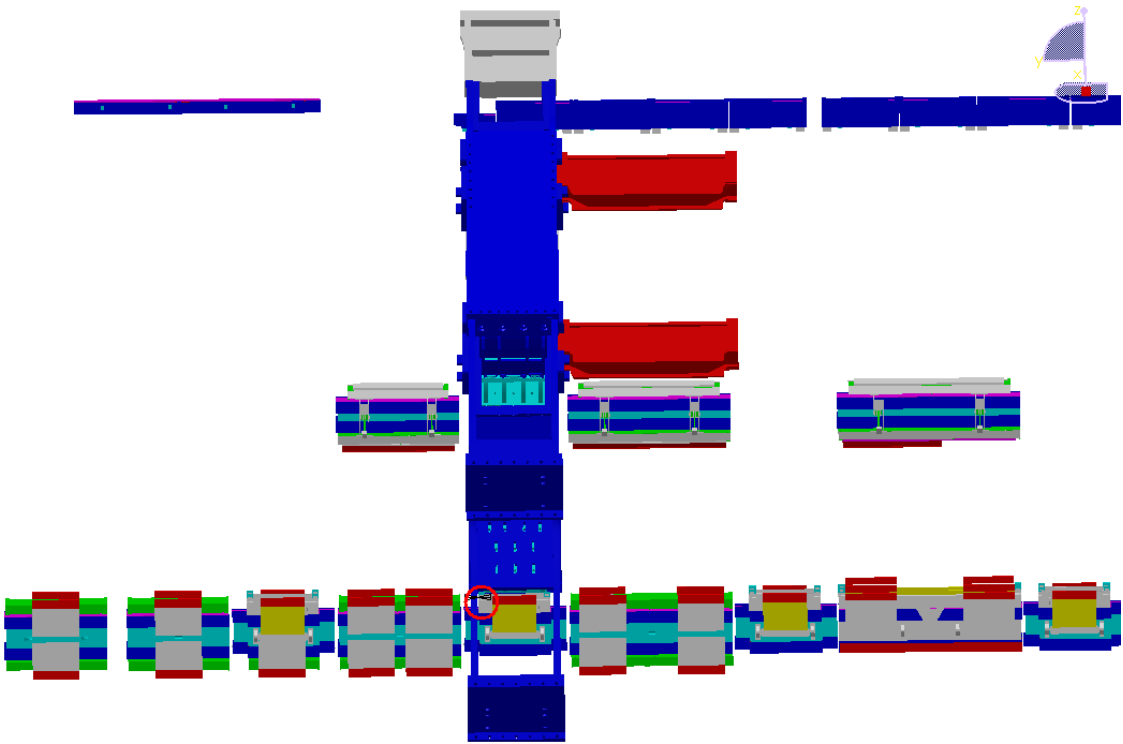
AT602166MQ - MUON BARREL CHAMBERS DETAILED, SECTOR 14	ATCVHB_0002 M - STANDARD PAIR OF FEET A1 (C1) - DETAILED MODEL FOR STANDARDS	Clearance	15.6 mm			Not inspected
			$\Delta X \approx 0$	$\Delta Y \approx 15.6$	$\Delta Z \approx 0$	



SIDE C

Sector 14

AT602166MQ - MUON BARREL CHAMBERS DETAILED, SECTOR 14	ATCVHB_0003 M - STANDARD PAIR OF FEET A2 (C2) - DETAILED MODEL FOR STANDARDS	Clearance	14 mm			Not inspected
			$\Delta X \approx 0$	$\Delta Y \approx 14$	$\Delta Z \approx 0$	



SIDE C
Sector 14

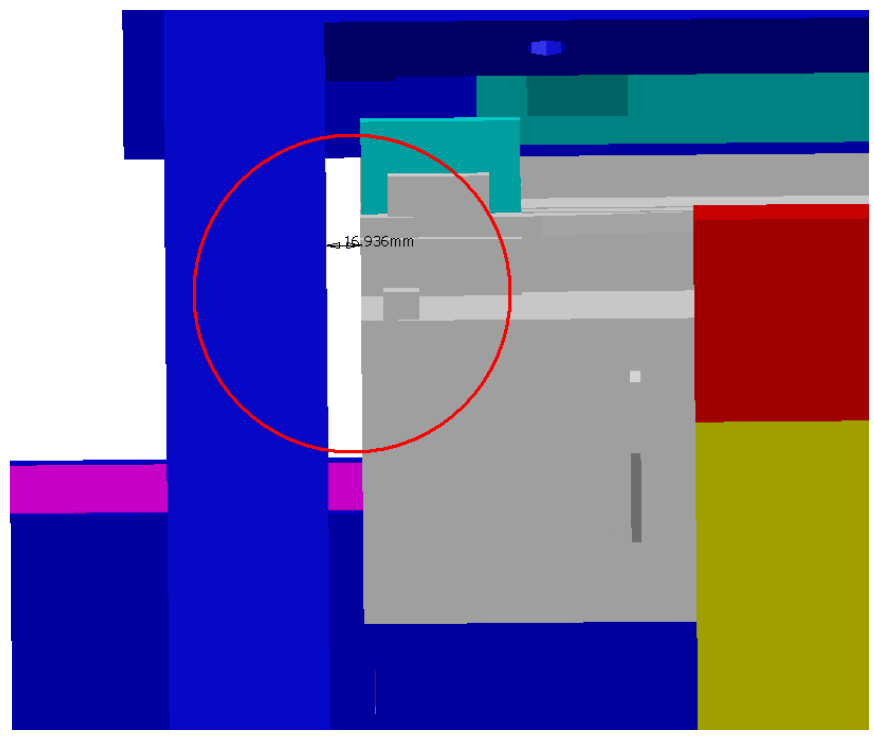
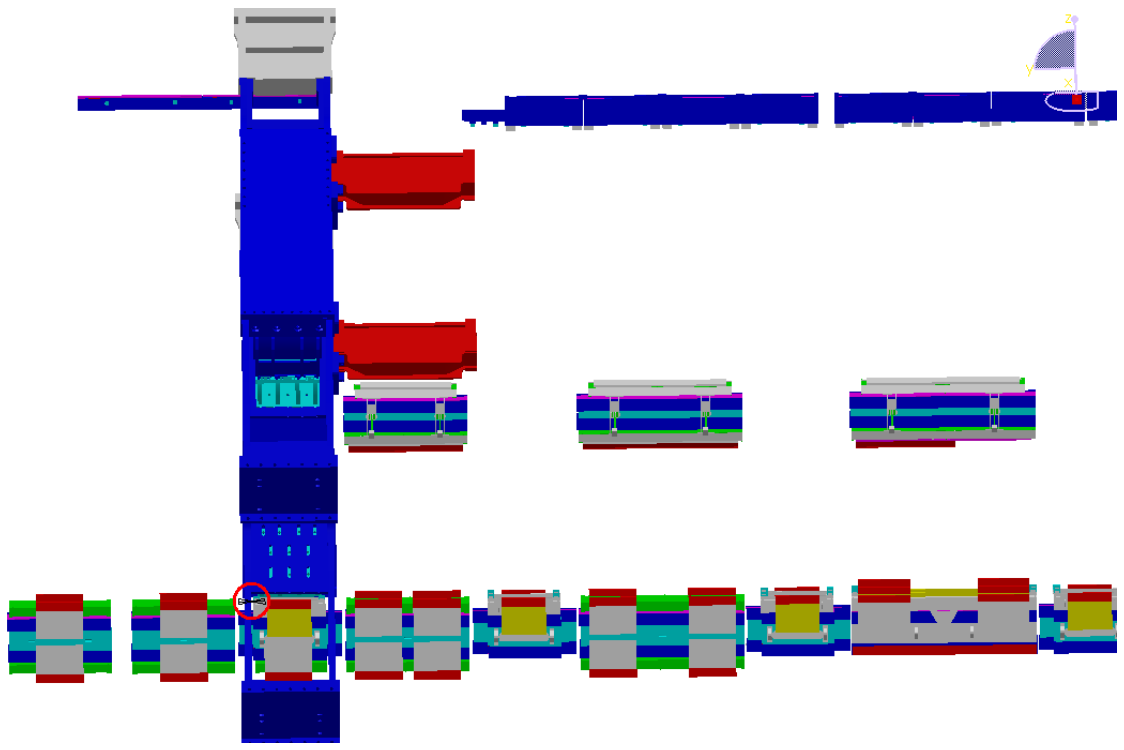
**AT602166MQ - MUON
BARREL CHAMBERS
DETAILED, SECTOR 14**

**ATCVHB_0004 M -STANDARD PAIR
OF FEET A3 (C3) - DETAILED MODEL
FOR STANDARDS**

Clearance

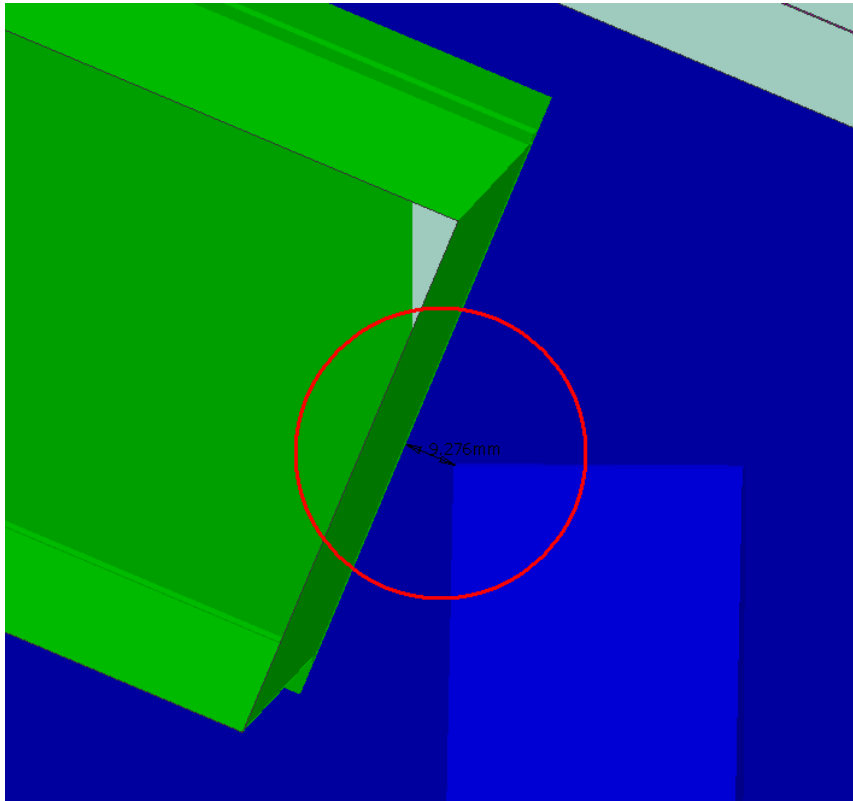
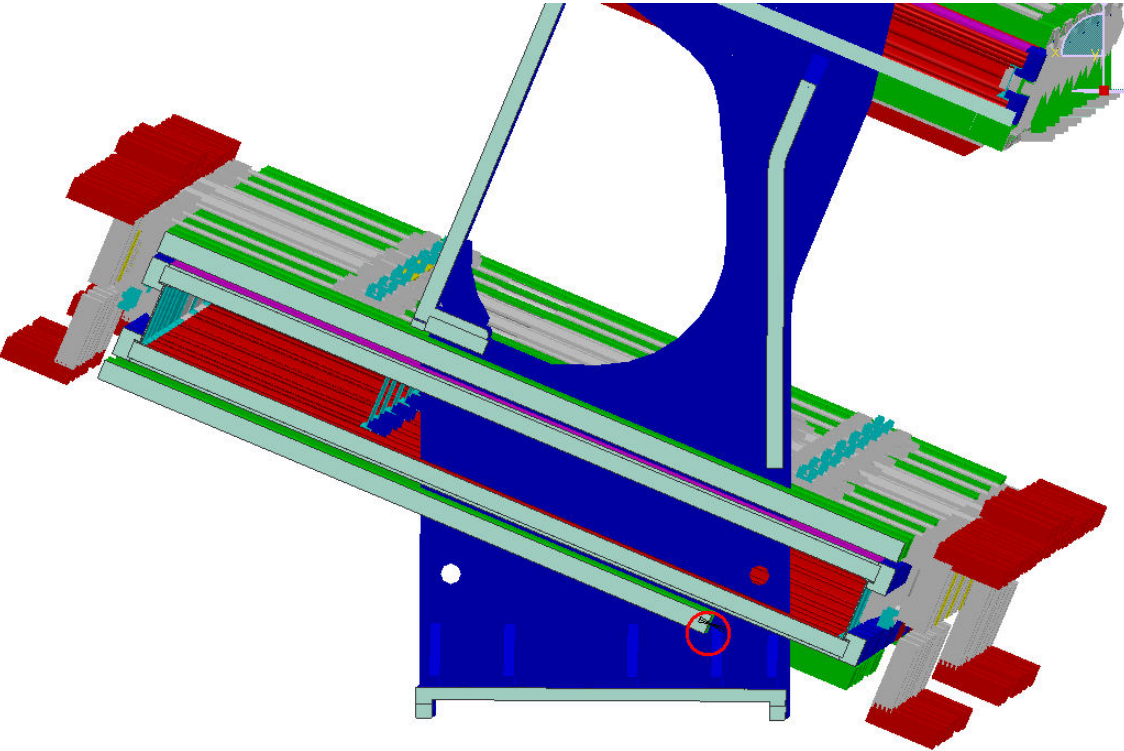
16.9 mm		
$\Delta X \approx 0$	$\Delta Y \approx 16.9$	$\Delta Z \approx 0$

Not inspected



SIDE C
Sector 14

AT602166MQ - MUON BARREL CHAMBERS DETAILED, SECTOR 14	ATCVHB_0005 M -EXTREMITY PAIR OF FEET A4 (C4) - DETAILED MODEL FOR STANDARDS	Clearance	9.3 mm			Not inspected
			$\Delta X \approx -8.6$	$\Delta Y \approx 0$	$\Delta Z \approx -3.5$	



SIDE C
Sector 14

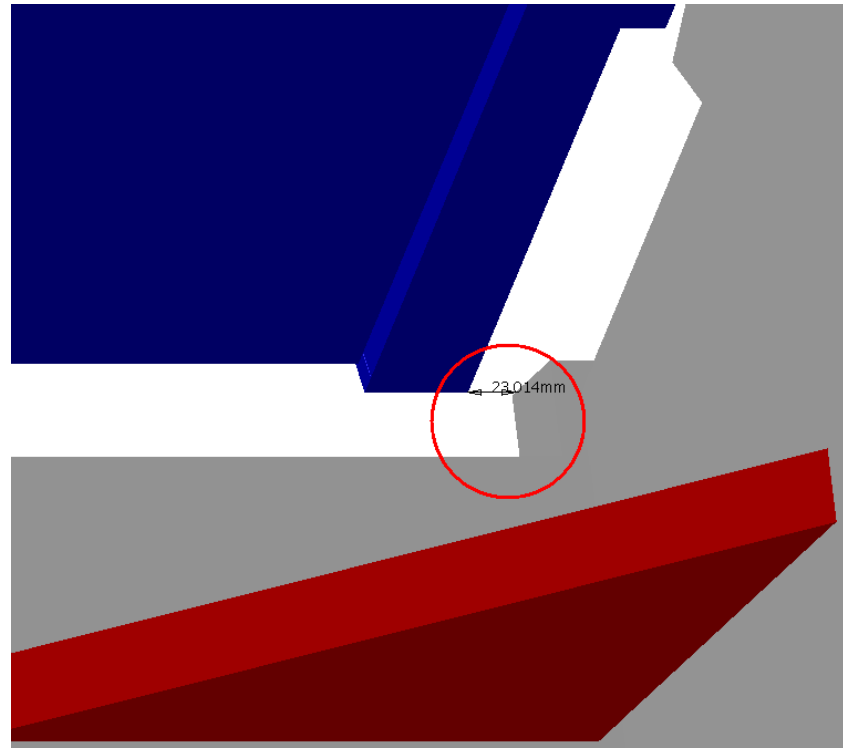
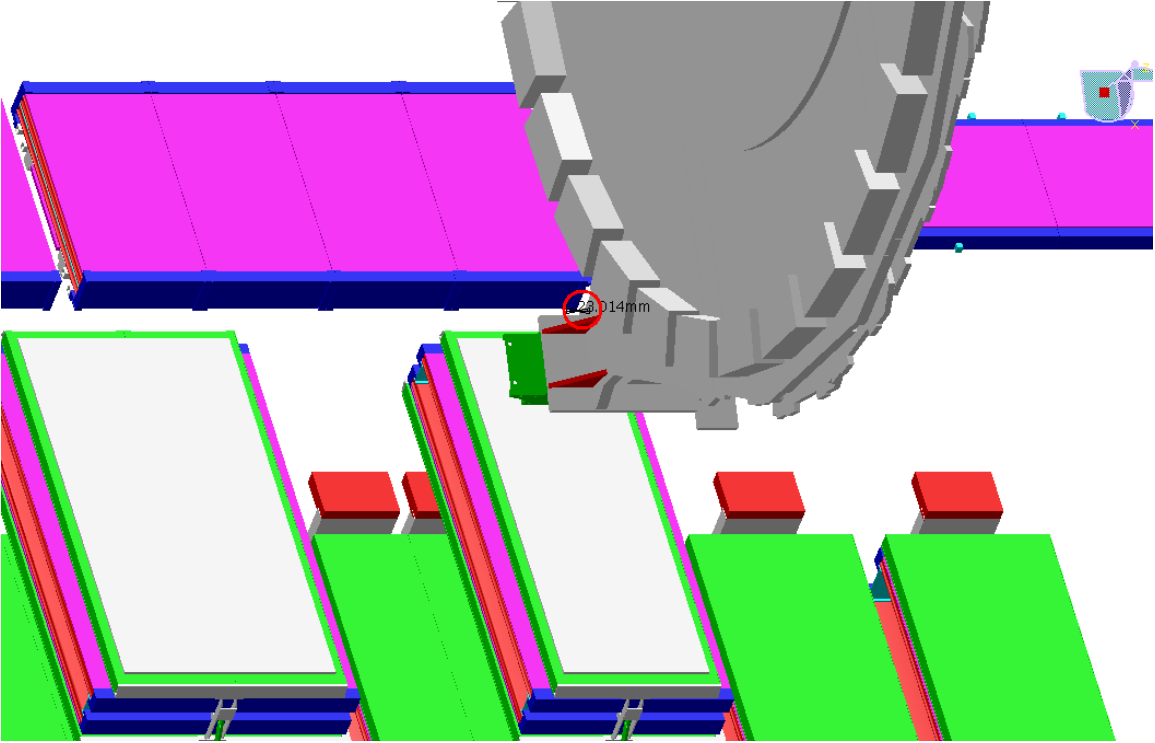
**AT602166MQ - MUON
BARREL CHAMBERS
DETAILED, SECTOR 14**

**NJ_0003 - JD SHIELDING (SIDE C) -
WITH TGC MUON CHAMBERS**

Clearance

23 mm		
$\Delta X \approx 0$	$\Delta Y \approx 23$	$\Delta Z \approx 0$

Not inspected



SIDE C
Sector 14

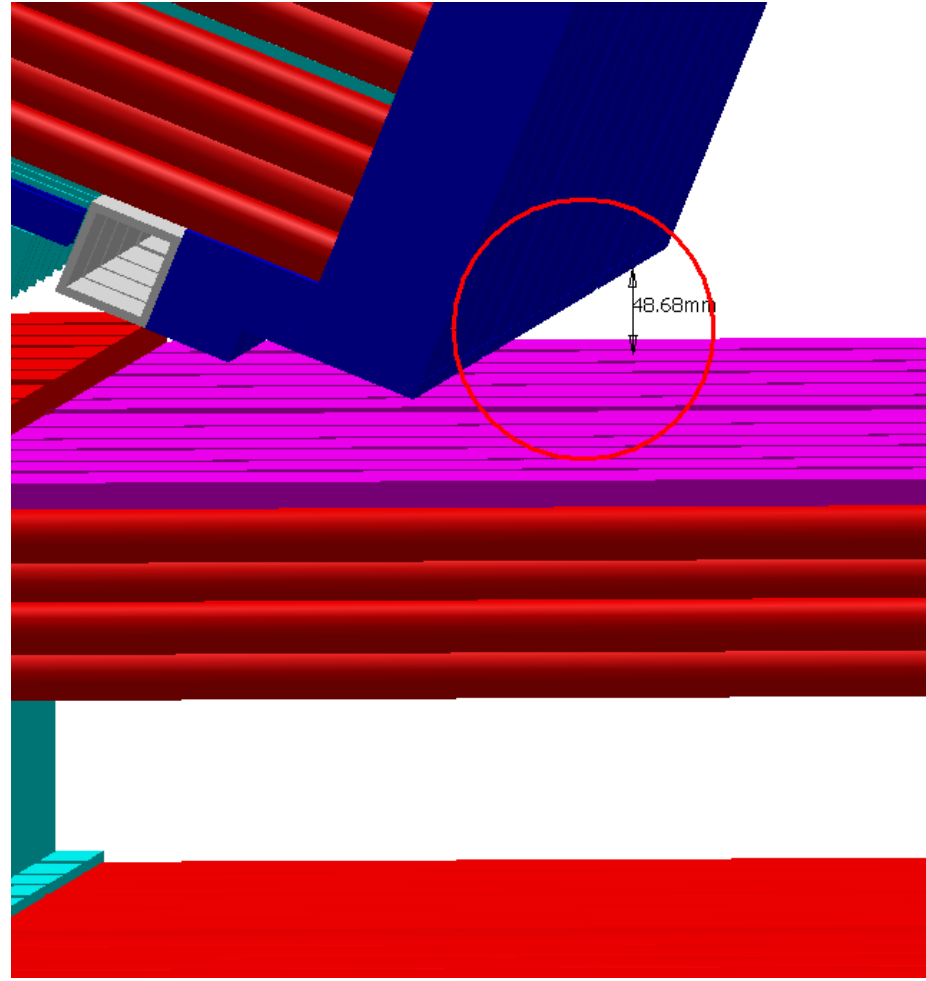
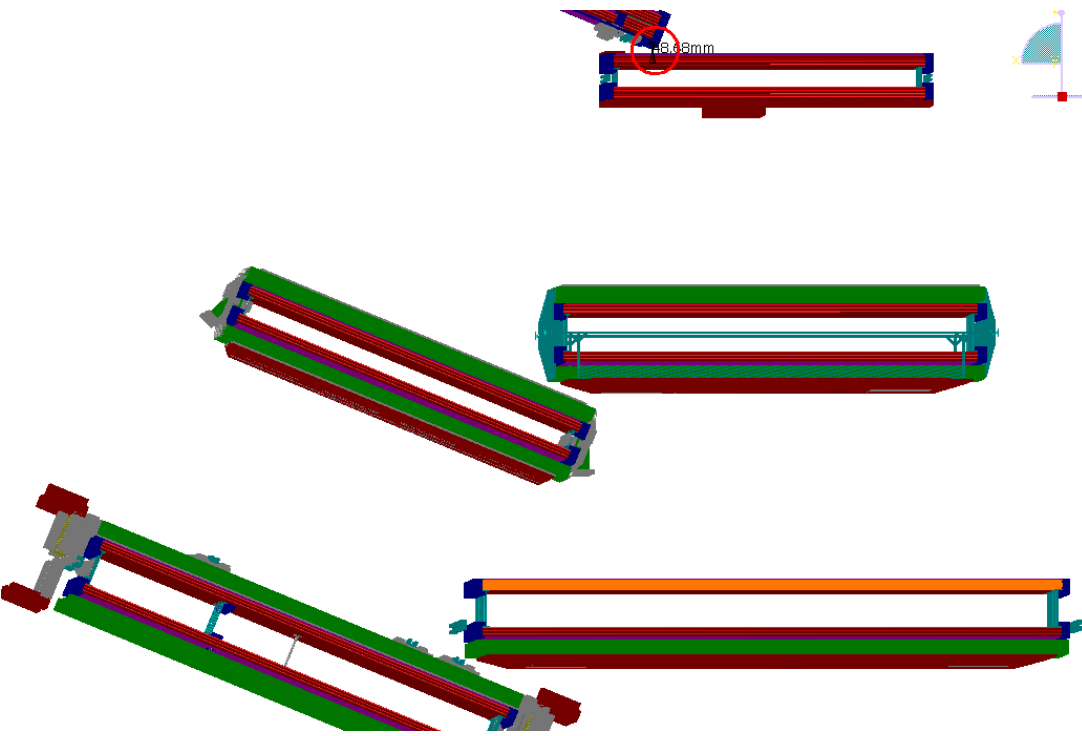
AT602166MQ - MUON BARREL CHAMBERS DETAILED, SECTOR 14

AT602165MQ - MUON BARREL CHAMBERS DETAILED, SECTOR 13

Clearance

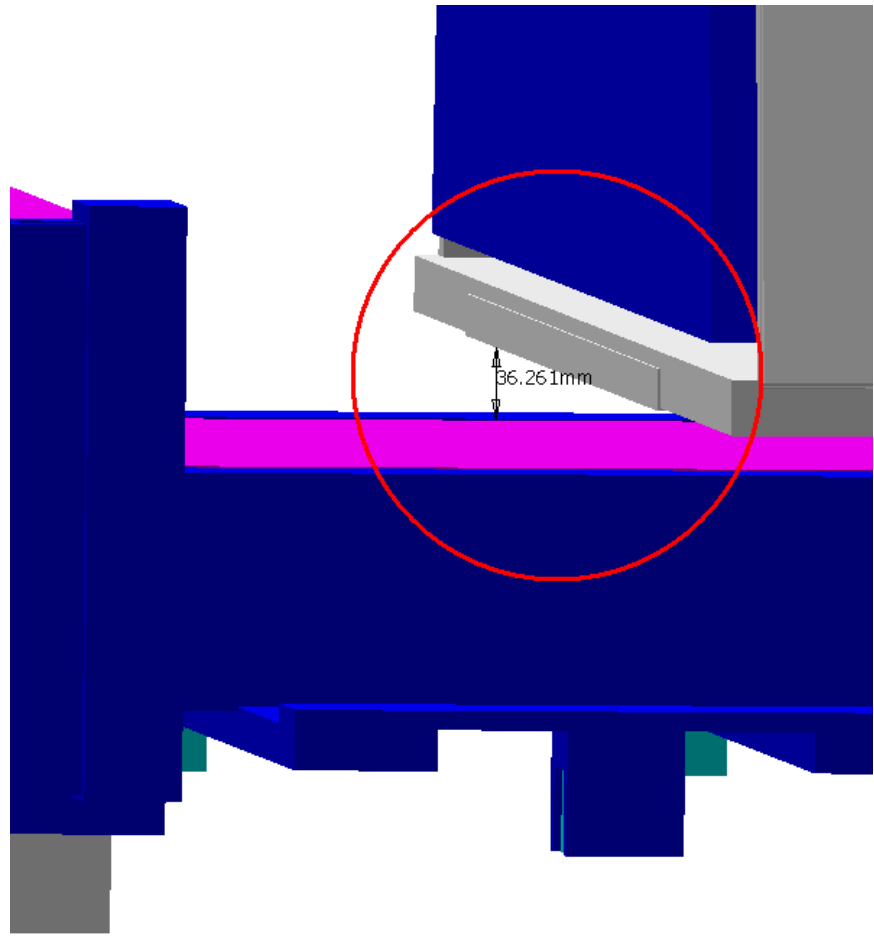
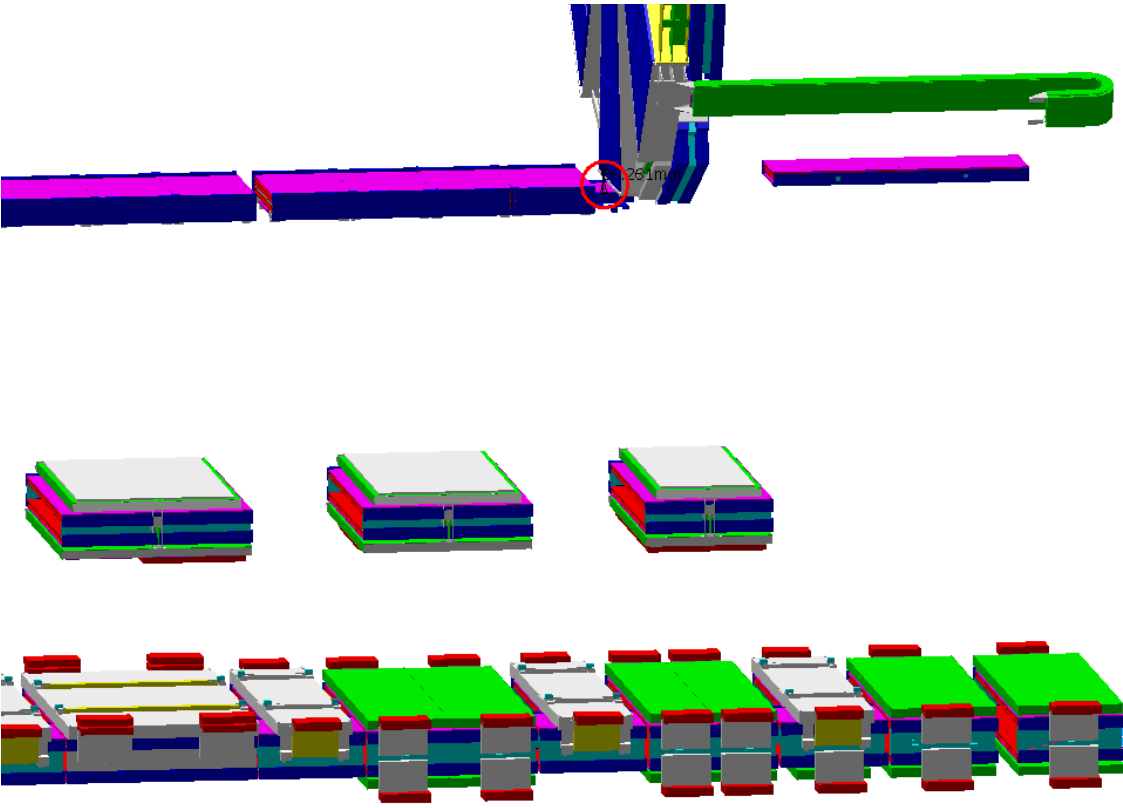
48.7 mm		
$\Delta X \approx 0$	$\Delta Y \approx 0$	$\Delta Z \approx -48.7$

Not inspected



SIDE A-C
Sector 14

AT602166MQ - MUON BARREL CHAMBERS DETAILED, SECTOR 14	NMC_0018 - SMALL WHEEL (SIDE C) - SIMPLIFIED 3-D OBJECT	Clearance	36.3 mm			Not inspected
			$\Delta X \approx -13.8$	$\Delta Y \approx -0.4$	$\Delta Z \approx 33.5$	



SIDE C
Sector 14