

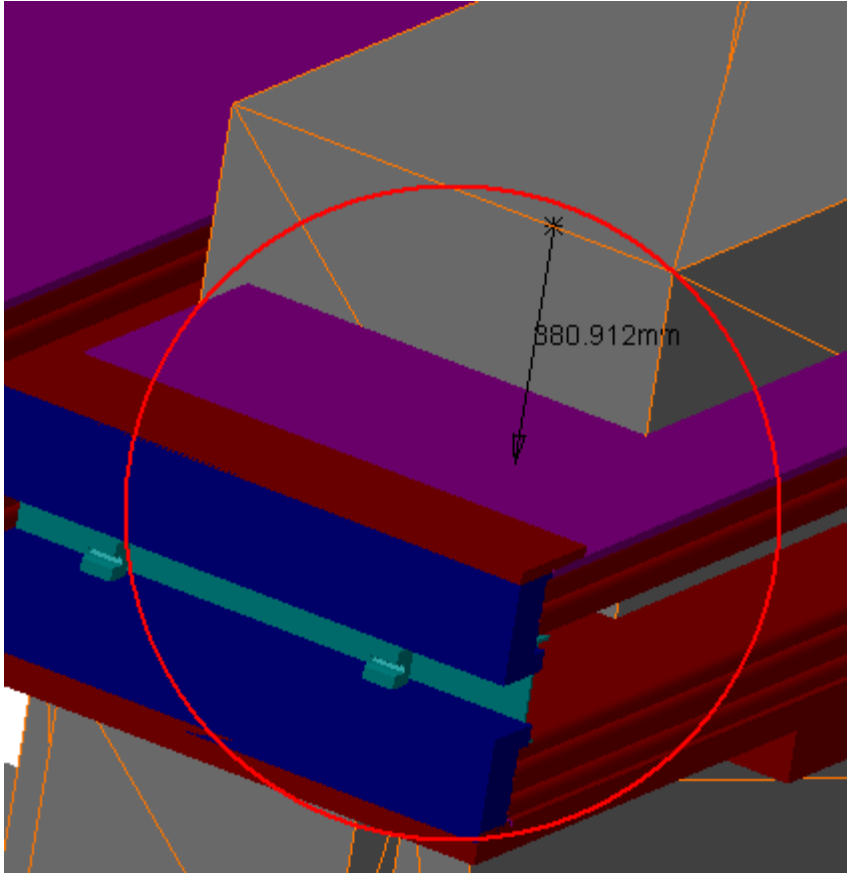
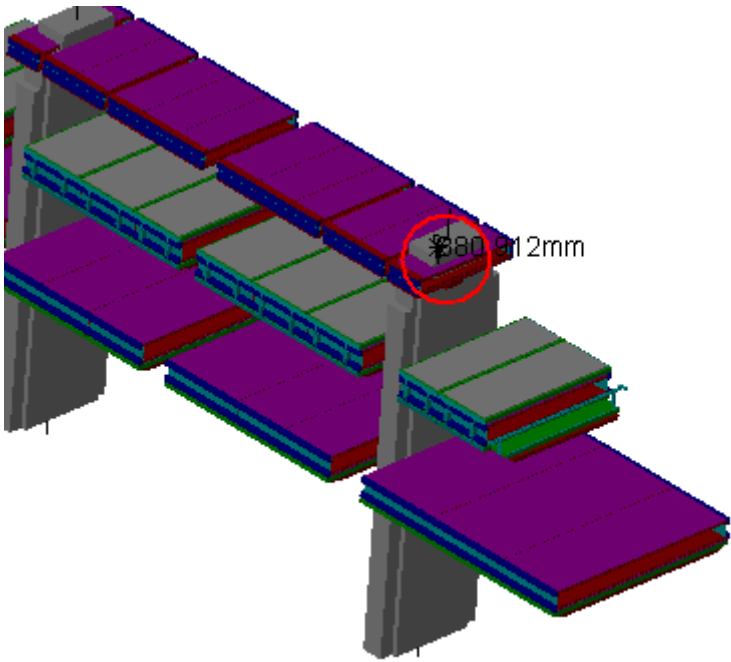
Clash Publish



Clash Computation Specification			
Products Selected			
AT602165 MQ MCB Muon Barrel Chambers Detailed sector 13	ATCZHX__0001 ACCESS ELEVATORS - GLOBAL ENVELOPE	-380.91	Not inspected
	ATCNMA__0007 BARREL PROJECTIVE ALIGNMENT. - SIMPLE 3-D MODEL. SECTOR 13.	-6.25	Not inspected
	ATCNMA__0016 SECTOR 12 SIDE C (A) - REFERENCE ALIGNMENT SYSTEM AND	-73.77	Not inspected
	ATCNMA__0017 SECTOR 14 SIDE C (A) - REFERENCE ALIGNMENT SYSTEM AND	-74.54	Not inspected

Computation Result:

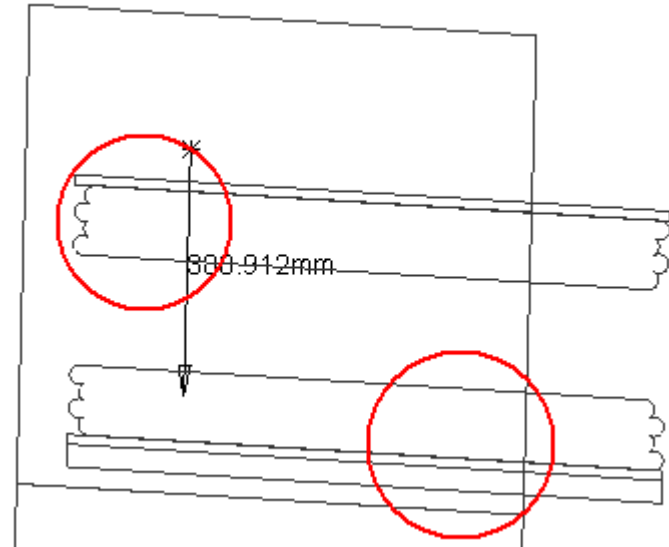
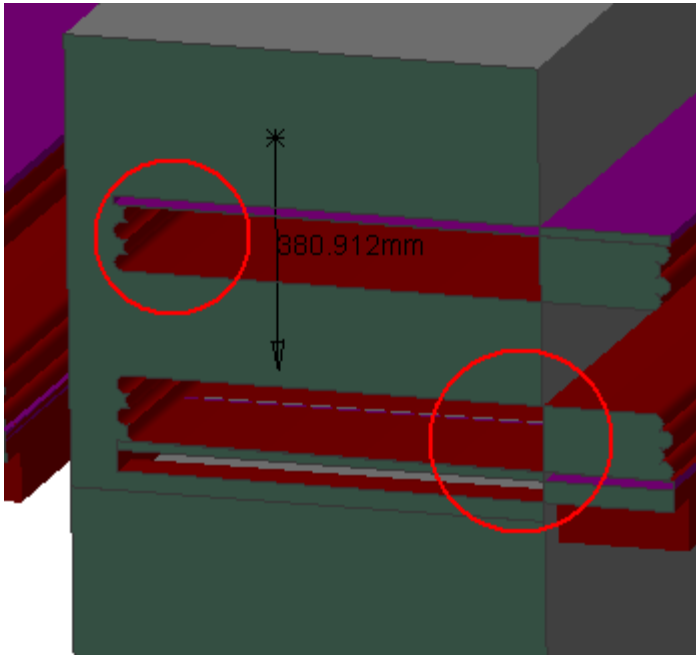
AT602165 MQ MCB Muon Barrel Chambers Detailed sector 13	ATCZH_0001 ACCESS ELEVATORS - GLOBAL ENVELOPE	Clash	-380.91	Not inspected
--	--	-------	---------	---------------



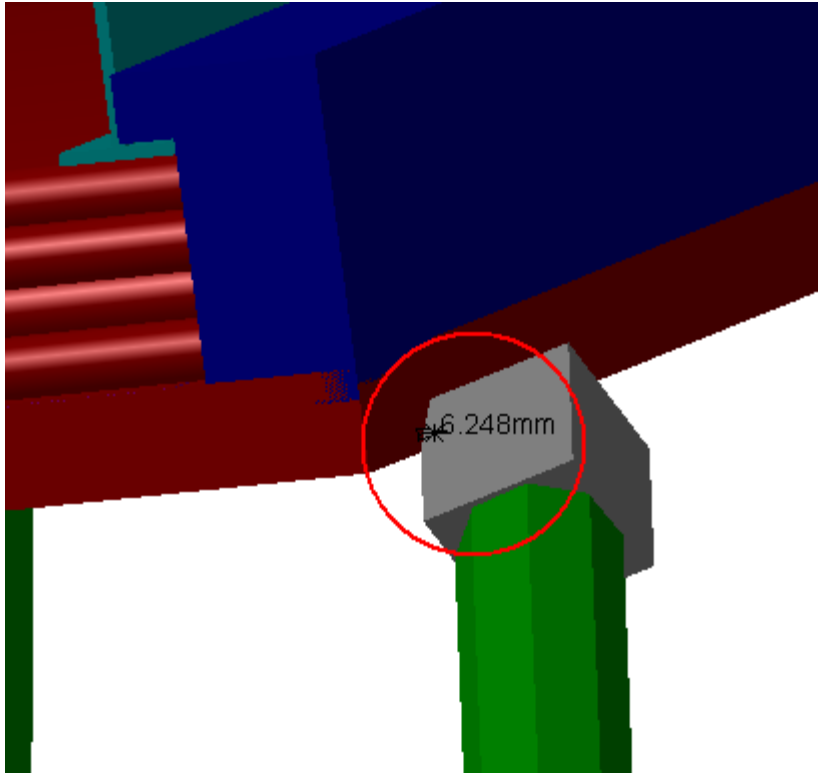
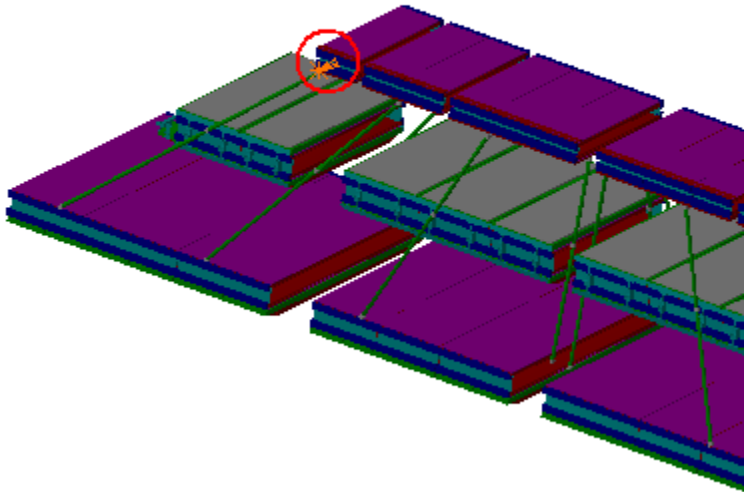
Side C

Sector 13

Clash View 1:

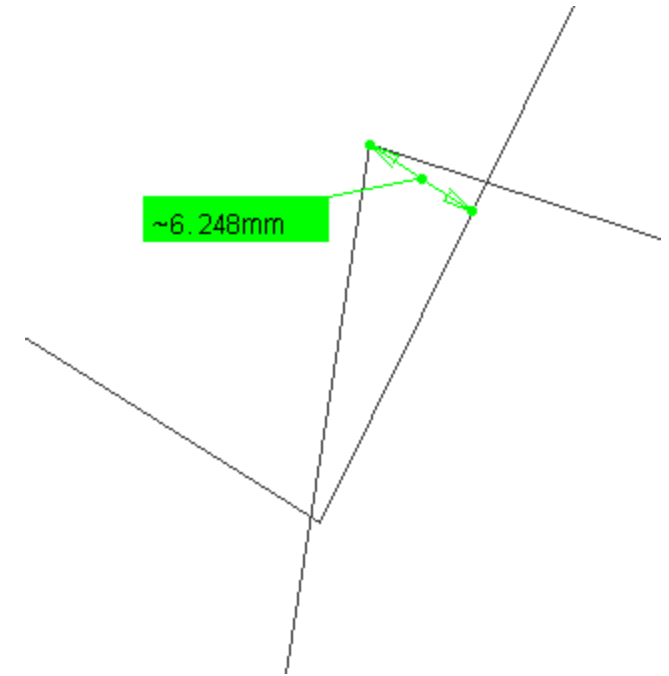
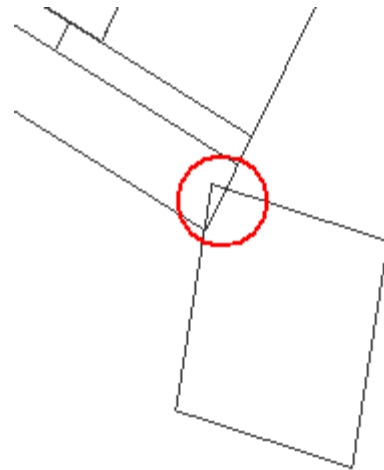
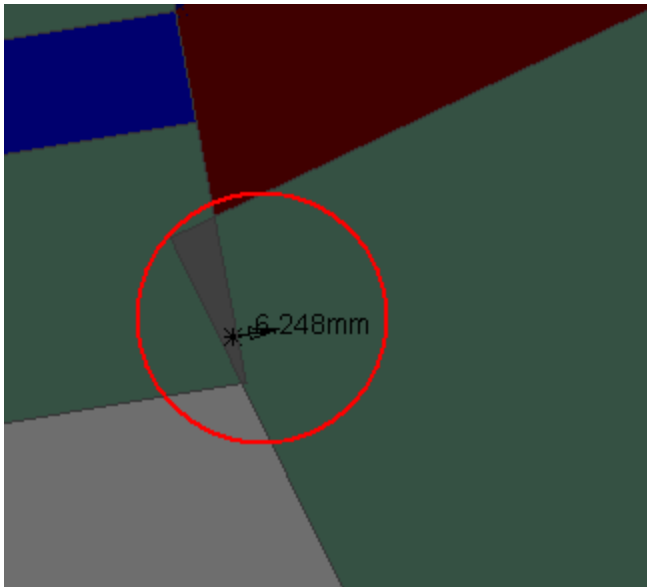


AT602165 MQ MCB Muon Barrel Chambers Detailed sector 13	ATCNMA__0007 BARREL PROJECTIVE ALIGNMENT. - SIMPLE 3-D MODEL. SECTOR 13.	Clash	-6.25mm	Not inspected
--	--	-------	---------	---------------

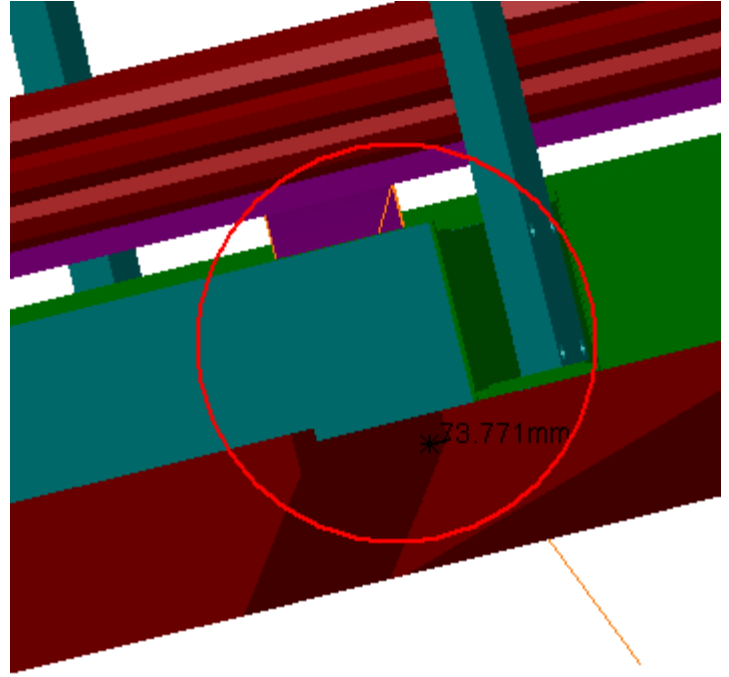
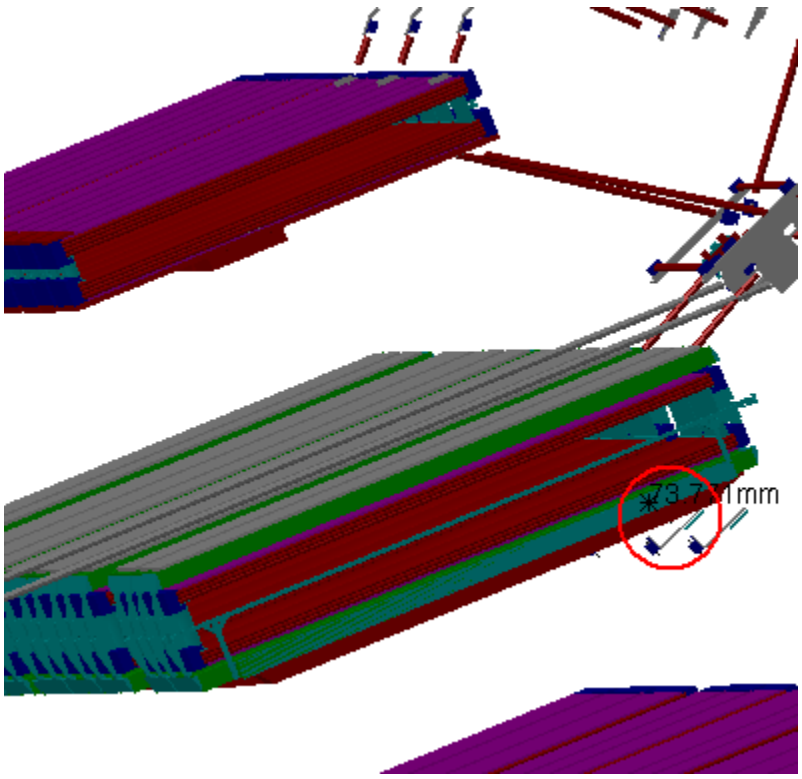


Side A
Sector 13

Clash View 1:

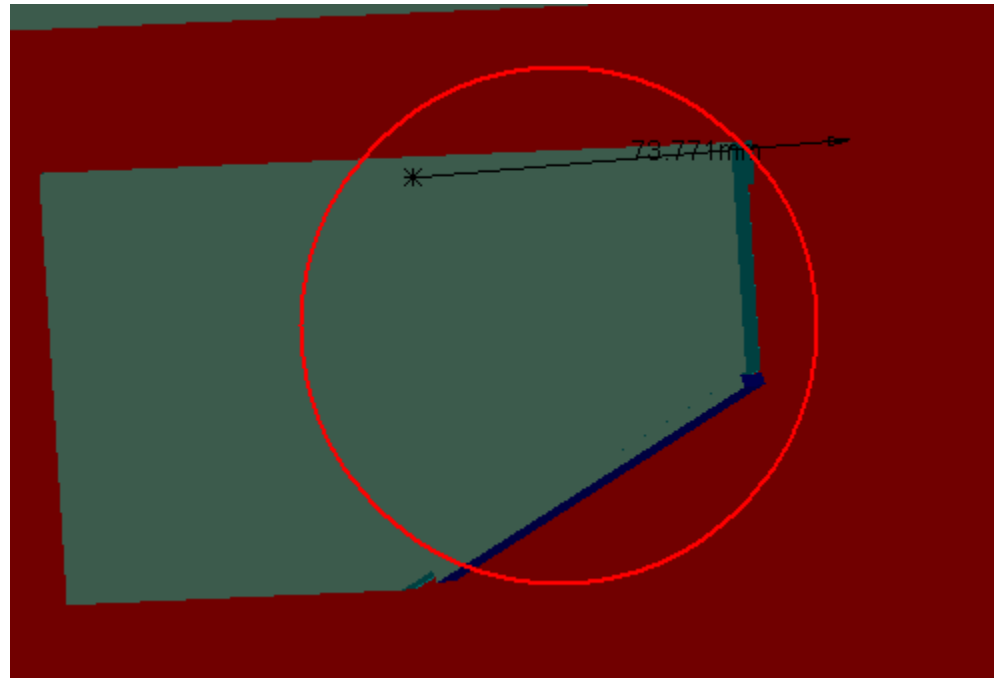
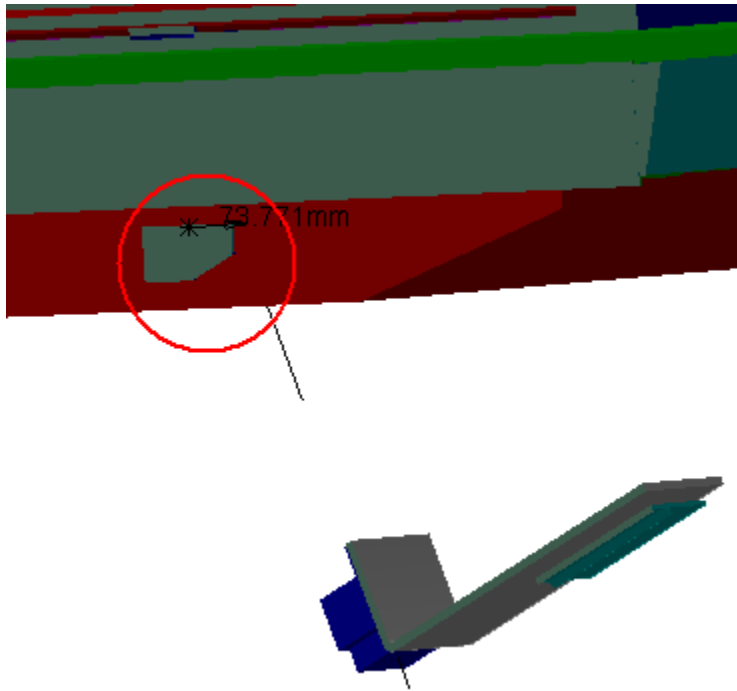


AT602165 MQ MCB Muon Barrel Chambers Detailed sector 13	ATCNMA_0016 SECTOR 12 SIDE C (A) - REFERENCE ALIGNMENT SYSTEM AND	Clash	-73.77mm	Not inspected
--	---	-------	----------	---------------

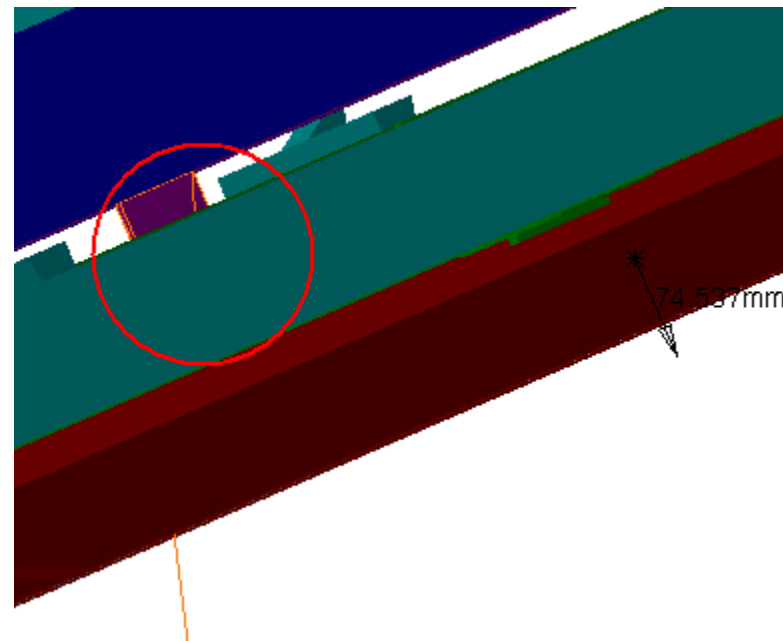
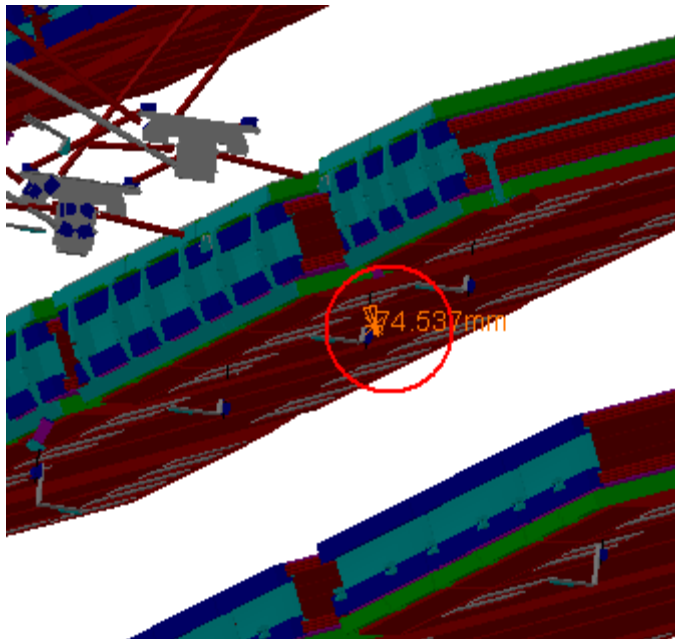


Side C
Sector 13

Clash View 1:



AT602165 MQ MCB Muon Barrel Chambers Detailed sector 13	ATCNMA_0017 SECTOR 14 SIDE C (A) - REFERENCE ALIGNMENT SYSTEM AND	Clash	-74.54mm	Not inspected
--	---	-------	----------	---------------



Side C
Sector 13

Clash View 1:

