

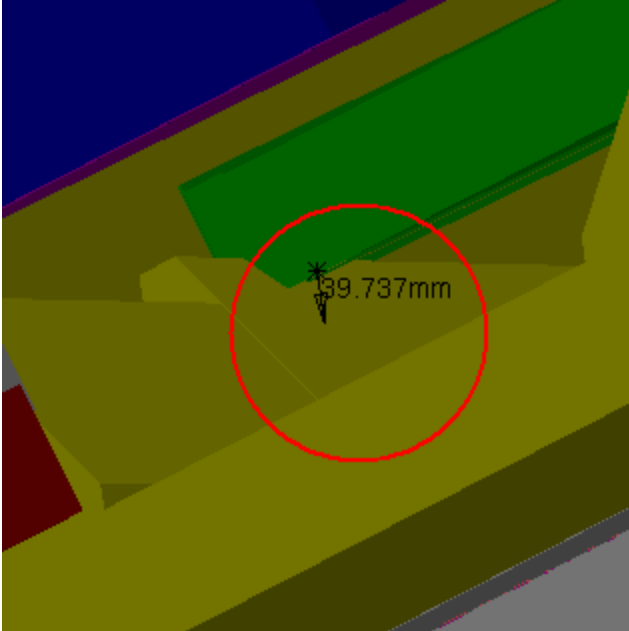
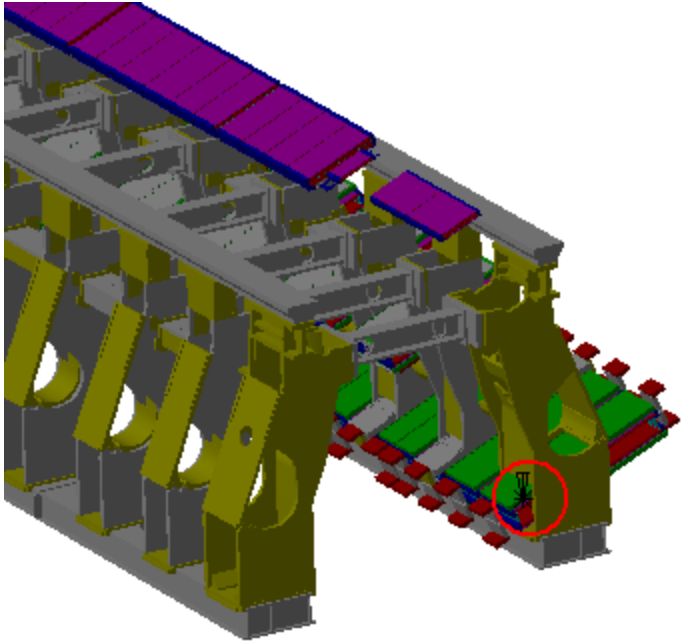
Clash Publish



Clash Computation Specification				
Products Selected				
AT602164MQ MCB Muon Barrel Chambers Detailed sector 12	ATCZHB__0001	HB GLOBAL ENVELOPE - AND LOCATION OF INTERFACES	-39.74	Not inspected
	ATCNH_0005	HB BARREL RAIL SYSTEM - SIMPLIFIED 3-D OBJECT	-39.72	Not inspected
	ATCVHB_0001	CENTRAL PAIR OF FEET B - DETAILED MODEL FOR STANDARDS	-3.5	Not inspected
	ATCZ5__0002	Z5 GLOBAL ENVELOPE (SIDE A) - AND LOCATION INTERFACES	-123.62	Not inspected
	ATCZ5__0001	Z5 GLOBAL ENVELOPE (SIDE C) - AND LOCATION INTERFACES (under construction)		
	ATCNMA__0006	BARREL PROJECTIVE ALIGNMENT. - SIMPLE 3-D MODEL. SECTOR 11.	-6.74	Not inspected
	ATCNMA__0009	END CAP ALIGNMENT SIDE "A". - SIMPLE 3-D MODEL.	-548.39	Not inspected
	ATCNMA__0010	END CAP ALIGNMENT SIDE "C" - SIMPLE 3-D MODEL.	-548.23	Not inspected
	ATCNMA__0016	SECTOR 12 SIDE C (A) - REFERENCE ALIGNMENT SYSTEM AND	-80.94	Not inspected

Computation Result:

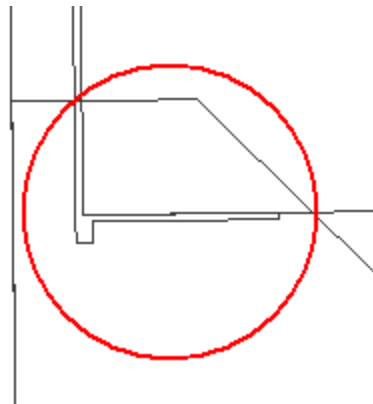
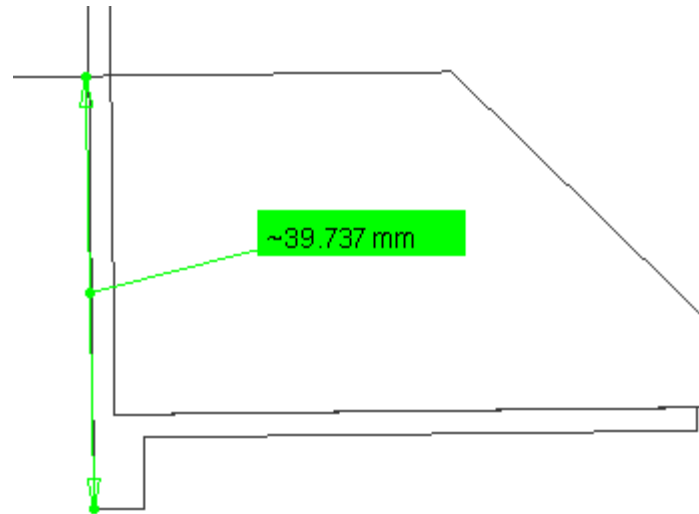
AT602164MQ MCB Muon Barrel Chambers Detailed sector 12	ATCZHB_0001 HB GLOBAL ENVELOPE - AND LOCATION OF INTERFACES	Clash	39.74	Not inspected
---	--	-------	-------	---------------



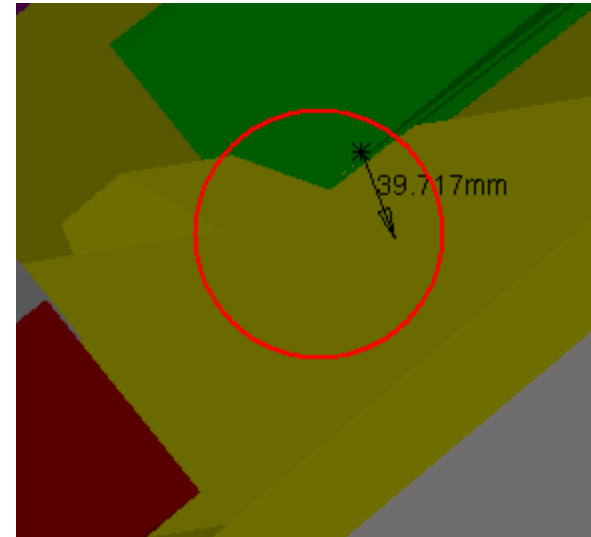
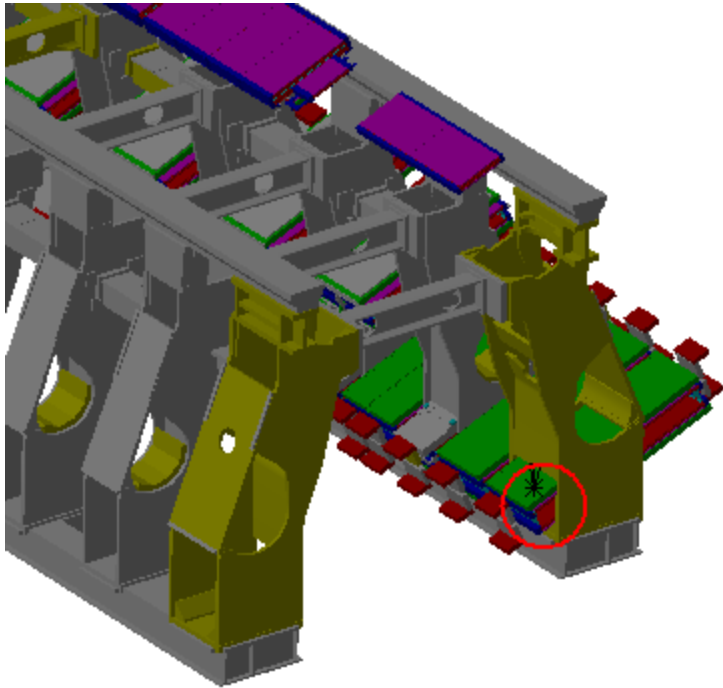
Side C

Sector 12

Clash View 1:

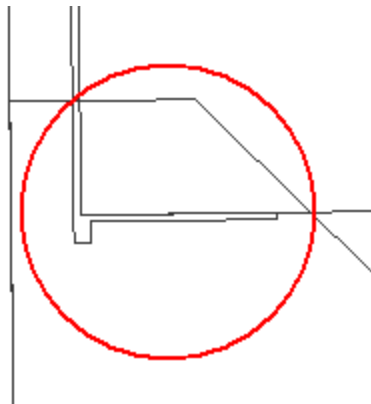
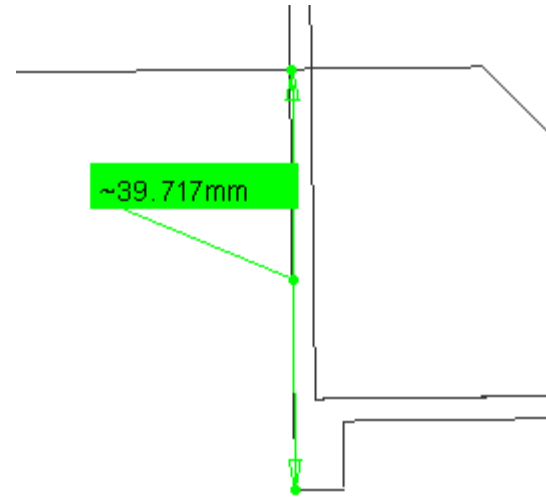
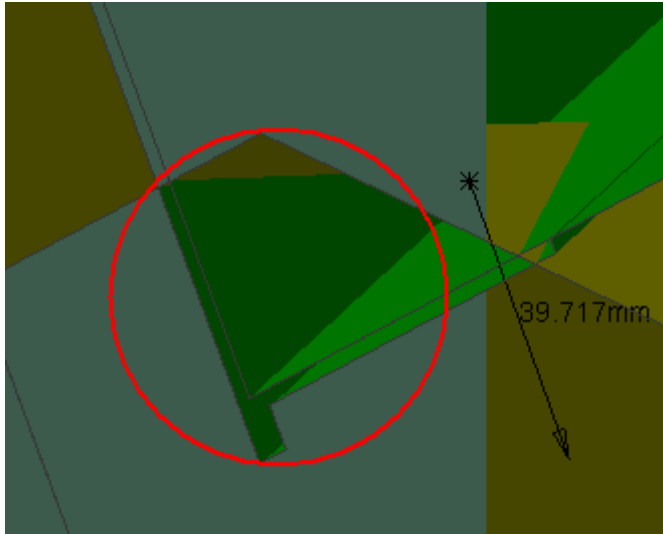


AT602164MQ MCB Muon Barrel Chambers Detailed sector 12	ATCNH_0005 HB BARREL RAIL SYSTEM - SIMPLIFIED 3-D OBJECT	Clash	-39.72mm	Not inspected
---	--	-------	----------	---------------

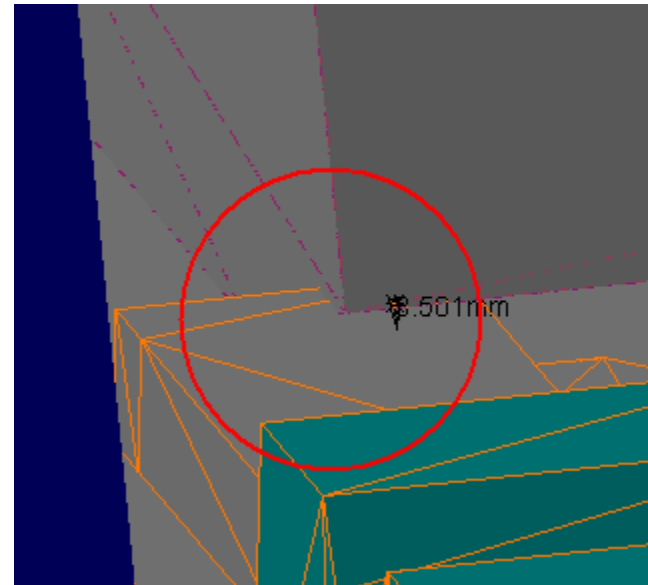
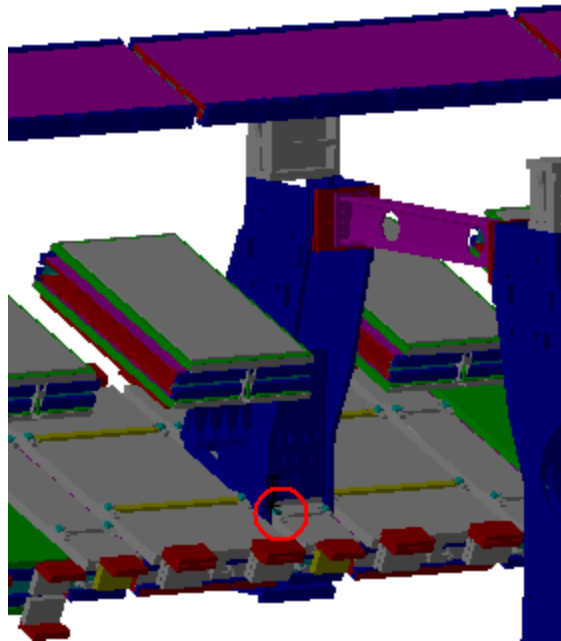


Side C
Sector 12

Clash View 1:

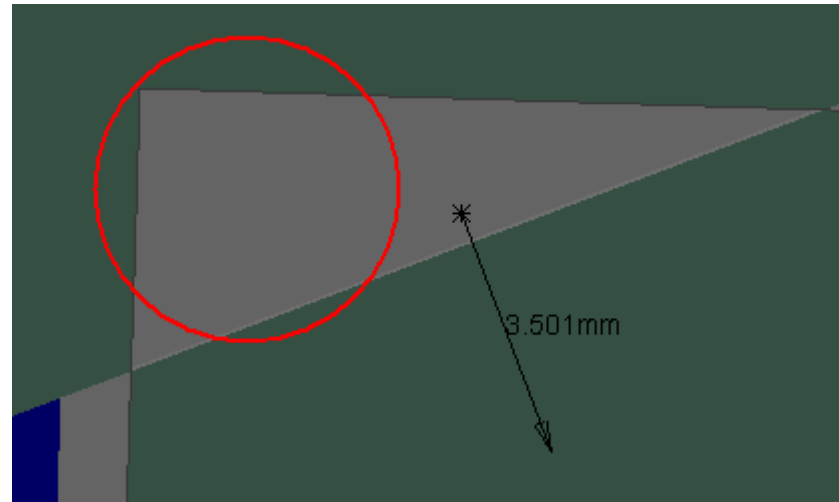
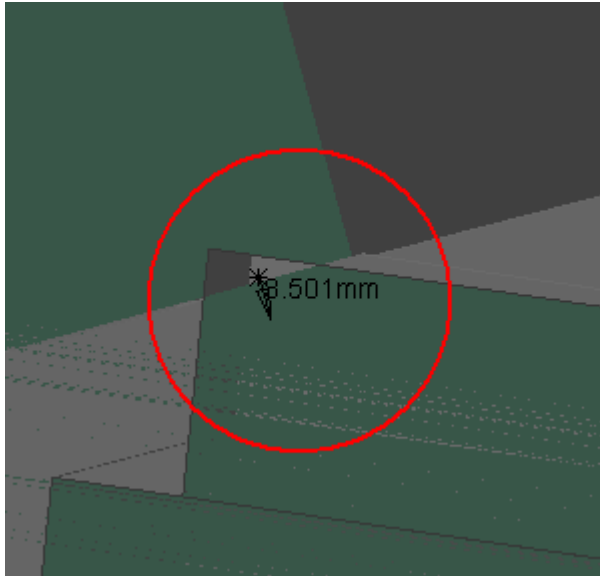


AT602164MQ MCB Muon Barrel Chambers Detailed sector 12	ATCVHB_0001 CENTRAL PAIR OF FEET B - DETAILED MODEL FOR STANDARDS	Clash	-3.5mm	Not inspected
---	---	-------	--------	---------------

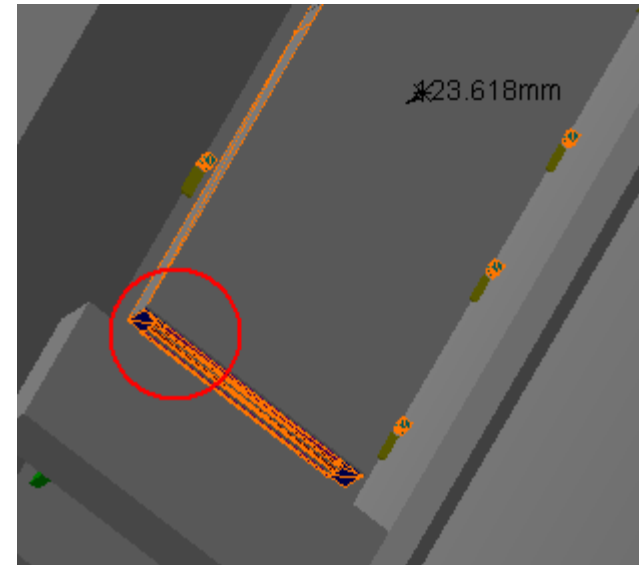
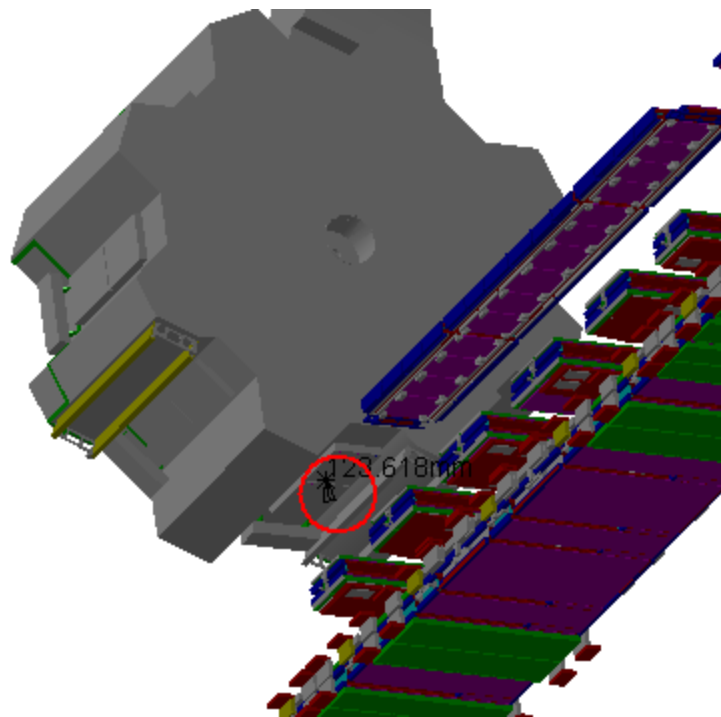


Side A
Sector 12

Clash View 1:



AT602164MQ MCB Muon Barrel Chambers Detailed sector 12	ATCZ5__0002 Z5 GLOBAL ENVELOPE (SIDE A) - AND LOCATION INTERFACES	Clash	-123.62 mm	Not inspected
---	---	-------	------------	---------------



Side A
Sector 12

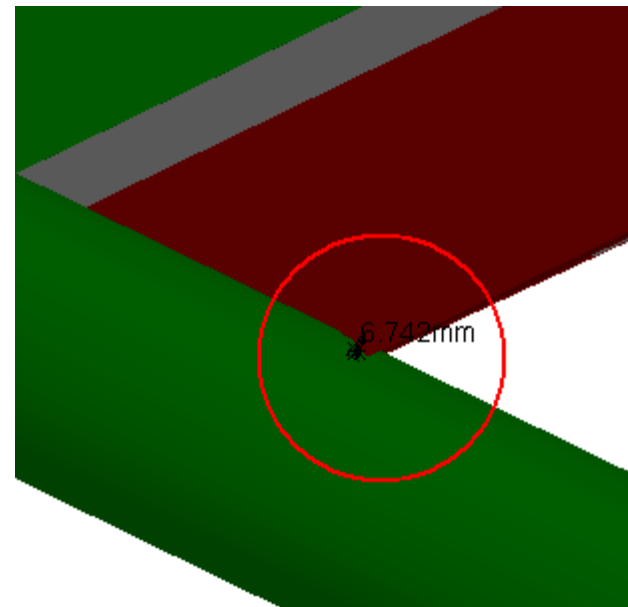
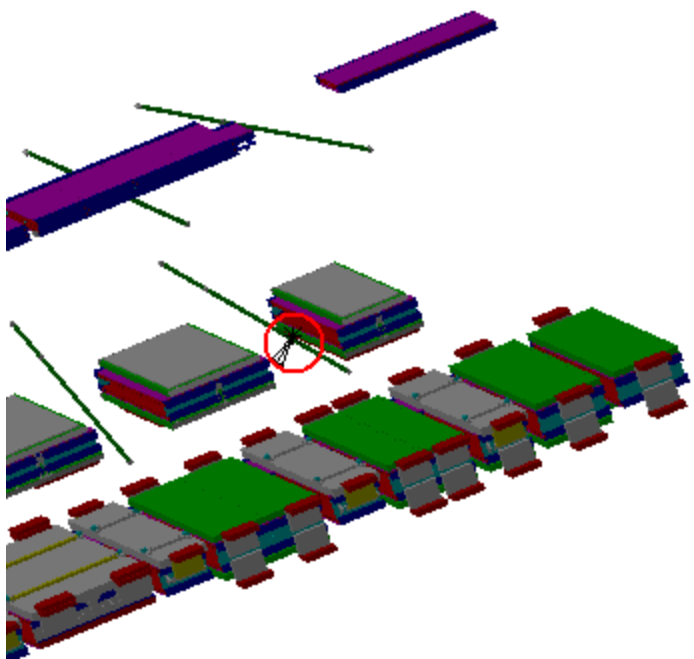
AT602164MQ MCB Muon Barrel Chambers
Detailed sector 12

ATCNMA_0006 BARREL
PROJECTIVE ALIGNMENT. - SIMPLE
3-D MODEL. SECTOR 11.

Clash

--6.74 mm

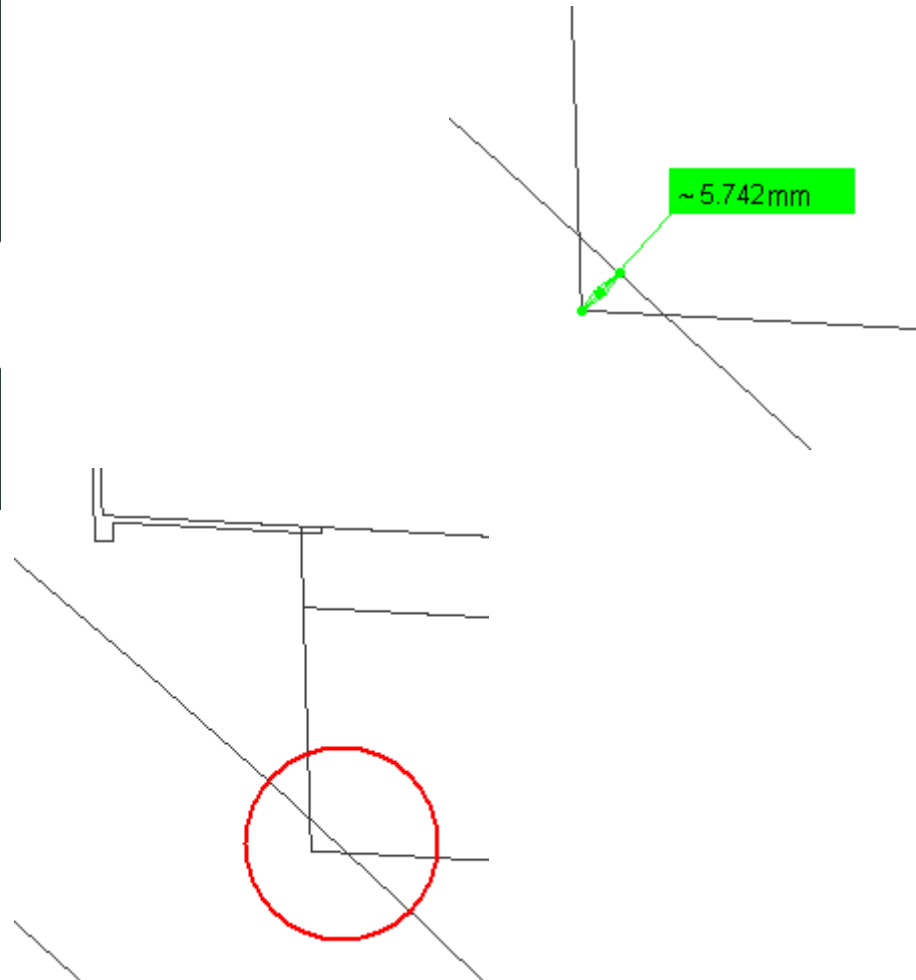
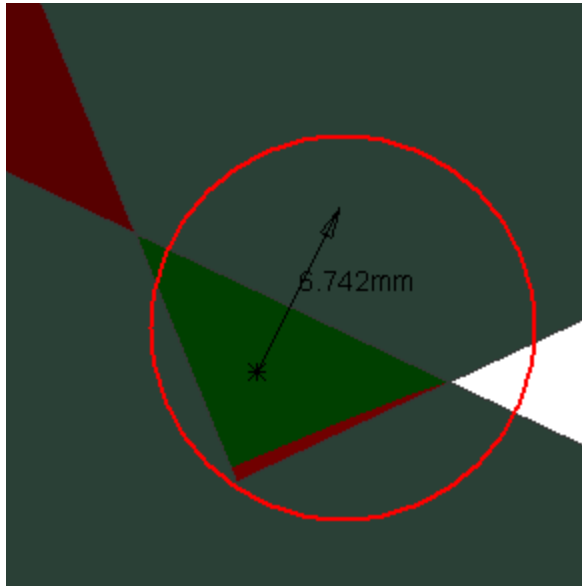
Not inspected



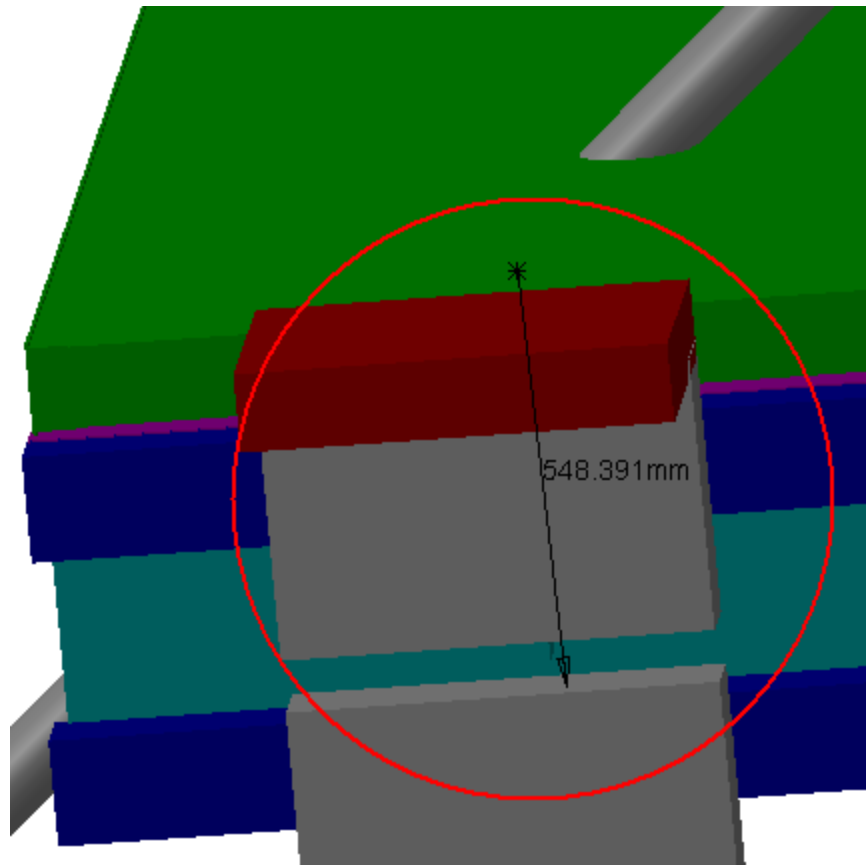
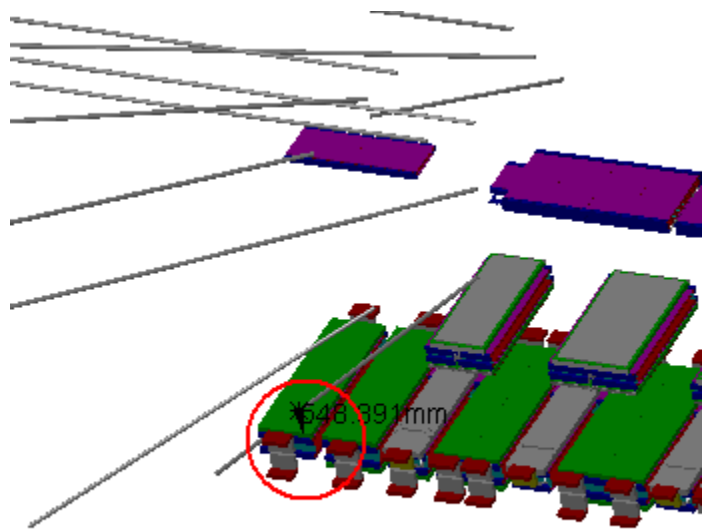
Side C

Sector 12

Clash View 1:

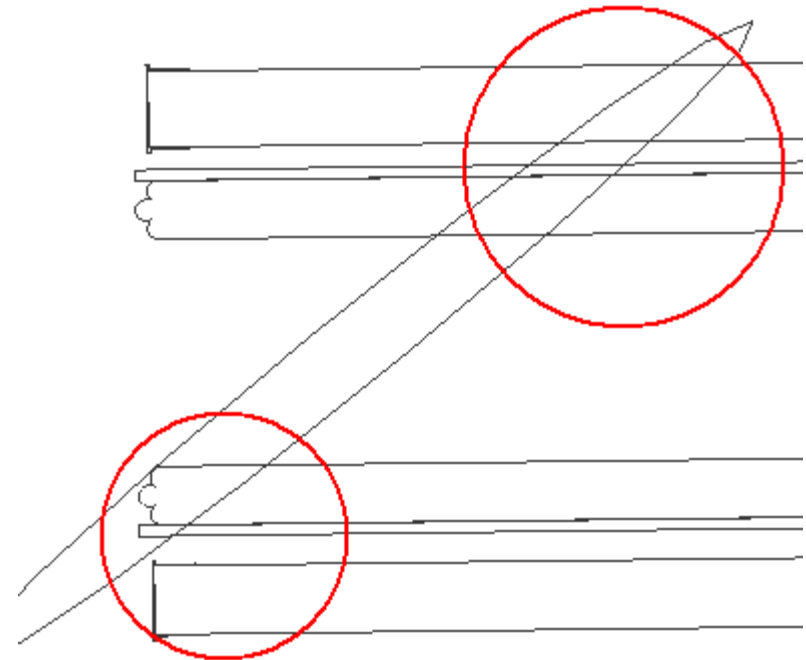
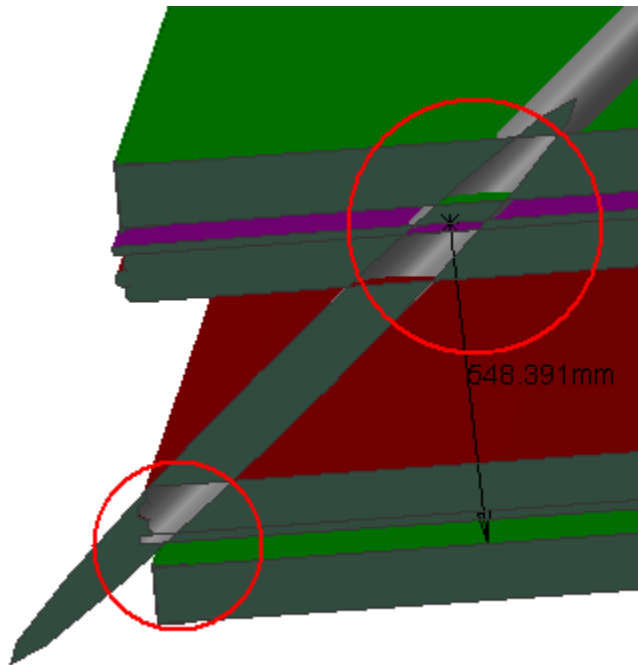


AT602164MQ MCB Muon Barrel Chambers Detailed sector 12	ATCNMA_0009 END CAP ALIGNMENT SIDE "A". - SIMPLE 3-D MODEL.	Clash	548.39mm	Not inspected
---	---	-------	----------	---------------

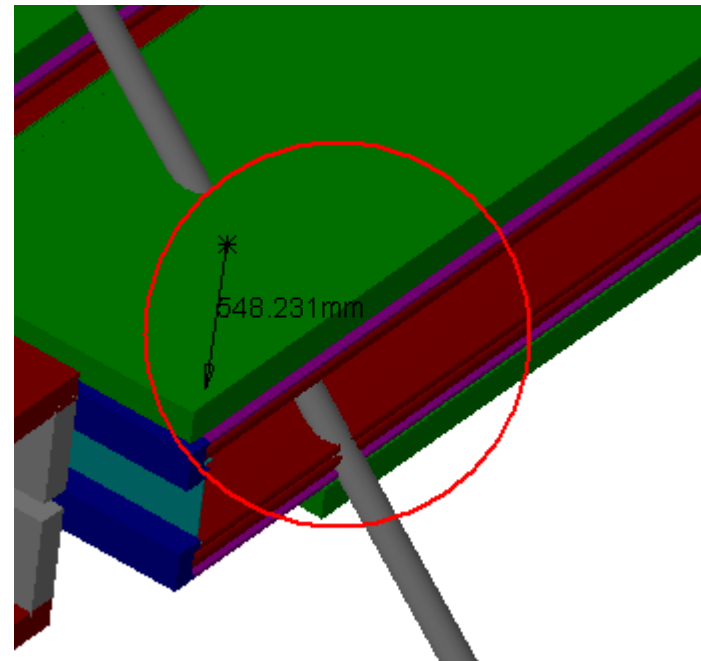
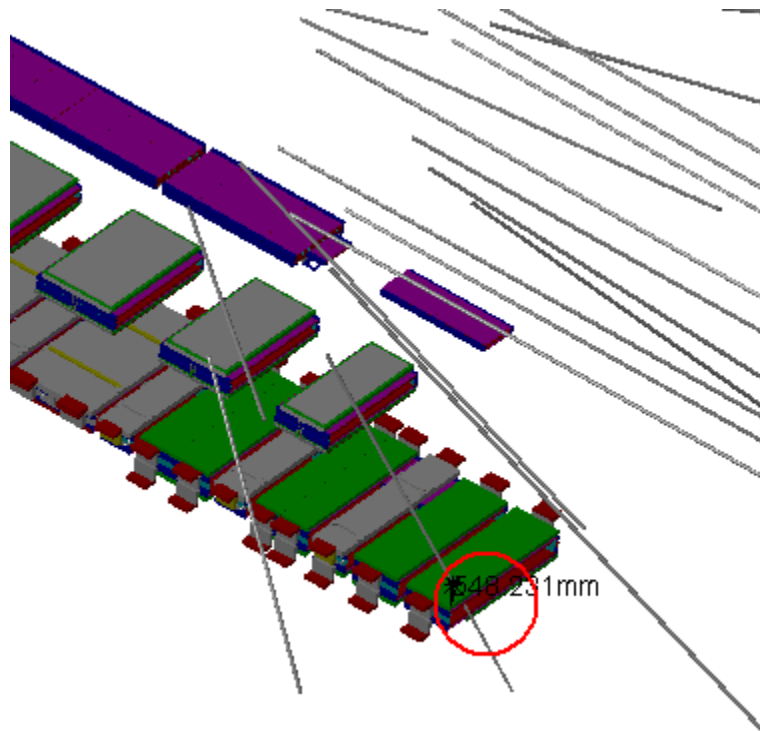


Side A
Sector 12

Clash View 1:

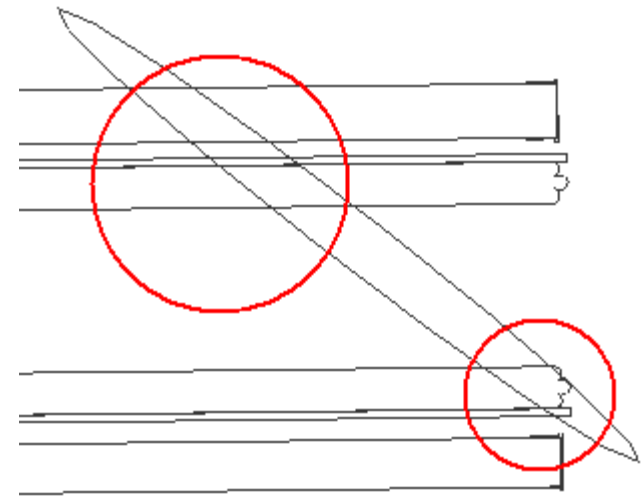
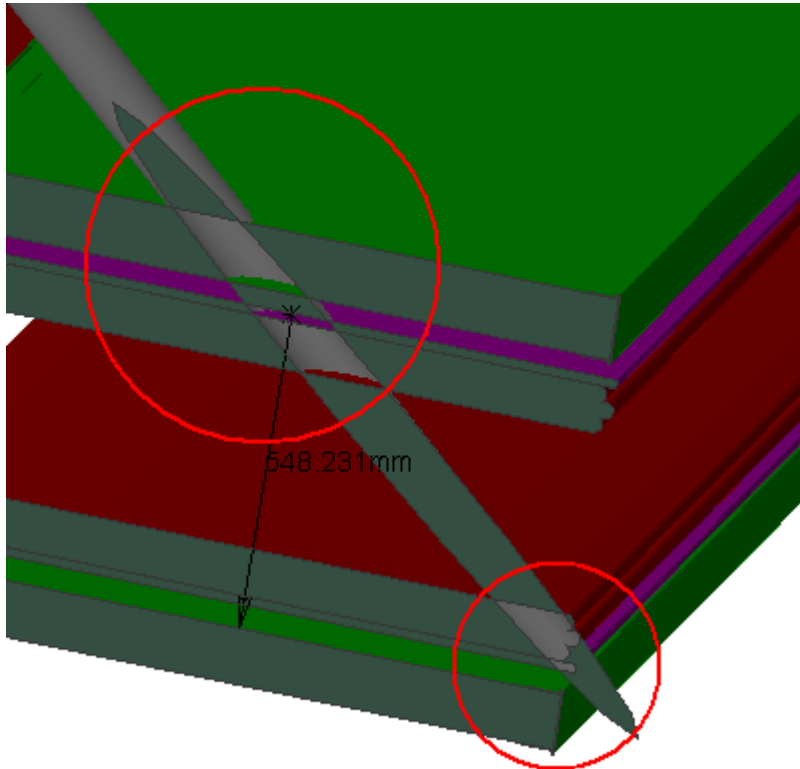


AT602164MQ MCB Muon Barrel Chambers Detailed sector 12	ATCNMA_0010 END CAP ALIGNMENT SIDE "C" - SIMPLE 3-D MODEL.	Clash	-548.23mm	Not inspected
---	--	-------	-----------	---------------

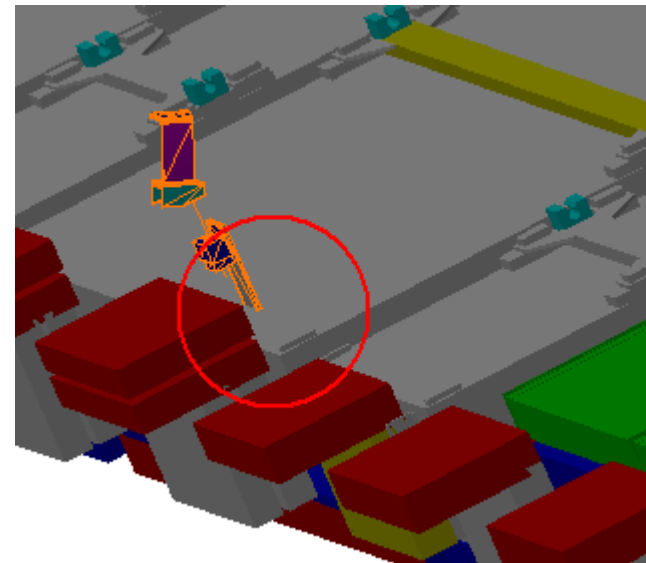
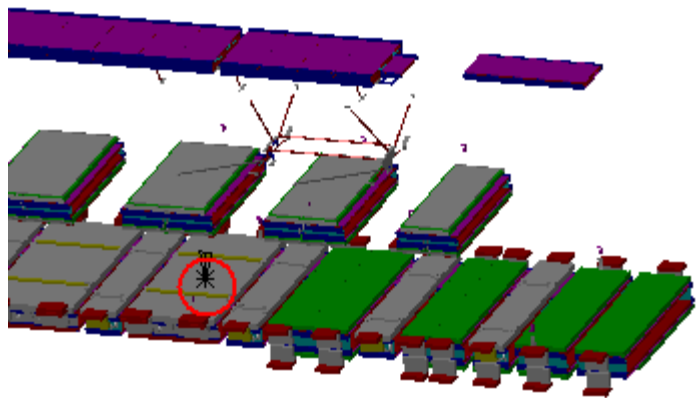


Side C
Sector 12

Clash View 1:



AT602164MQ MCB Muon Barrel Chambers Detailed sector 12	ATCNMA_0016 SECTOR 12 SIDE C (A) - REFERENCE ALIGNMENT SYSTEM AND	Clash	-80.94mm	Not inspected
---	---	-------	----------	---------------



Side C
Sector 12

Clash View 1:

