

Clearance Publish

Clearance = 50mm

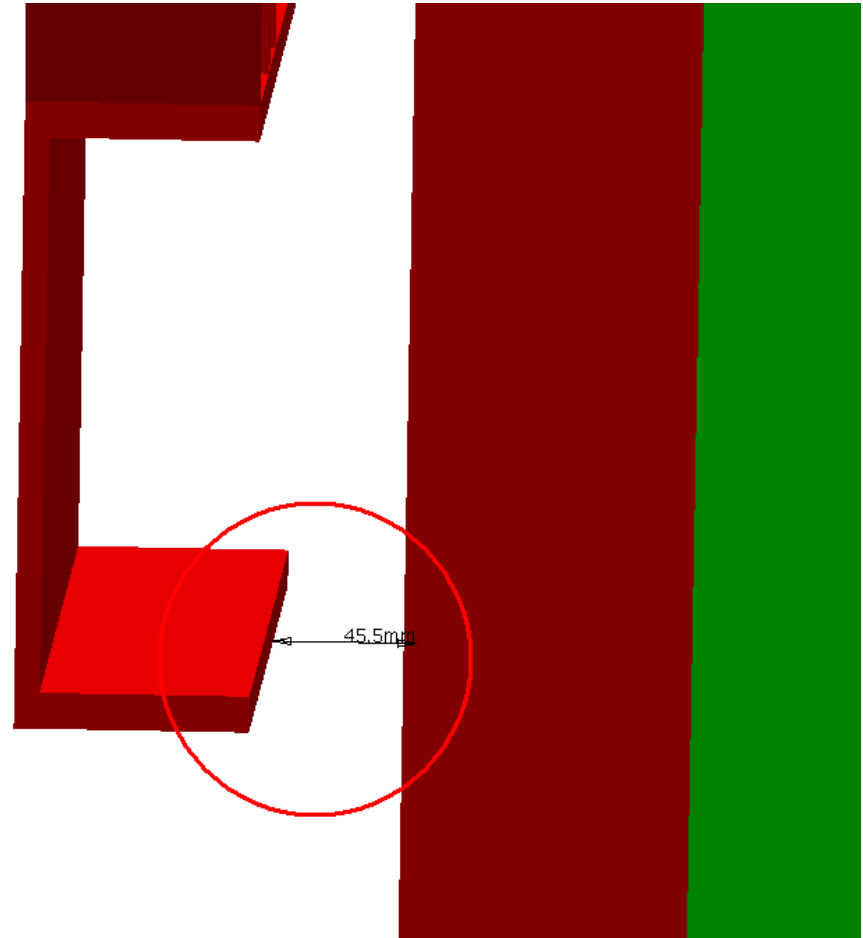
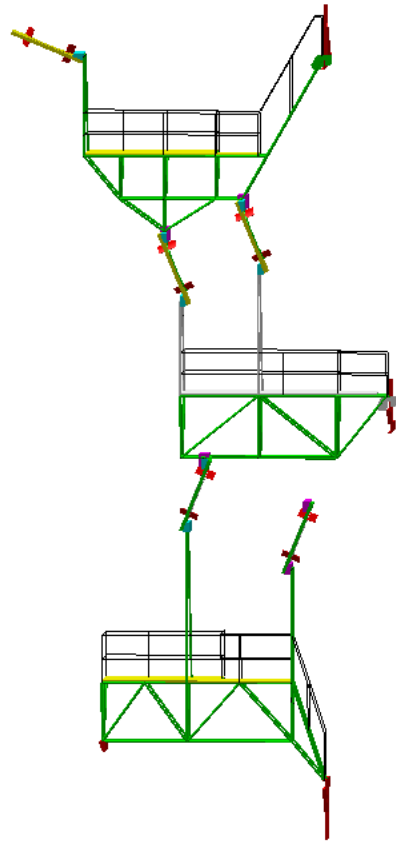
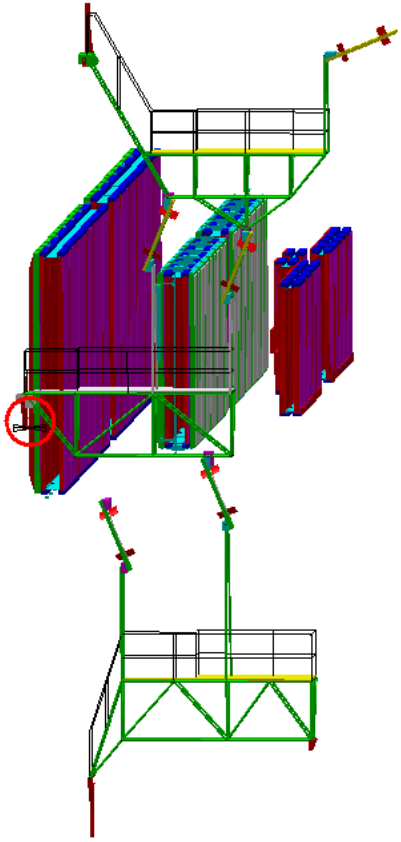


Clearance Computation Specification

Products Selected		Value	Status
AT602160MQ - MUON BARREL CHAMBERS DETAILED, SECTOR 9	NHX_0001 - SIMPLIFIED ACCESS PLATFORMS - END-CAP PART (SIDE A)	45.5	Not inspected
	AT602159MQ - MUON BARREL CHAMBERS DETAILED. SECTOR 8	40.7	Not inspected
	AT602168MQ - MUON BARREL CHAMBERS DETAILED. SECTOR 10	34.8	Not inspected
	NTB_0003 - TB WARM STRUCTURE - SIMPLIFIED 3-D OBJECT	14.9	Not inspected
	NTB_0005 - TB WARM STRUCTURE - RING OF THE VOUSOIRS, STRUTS	15	Not inspected
	NTB_0001 BT8 - TB STANDARD COIL - SECTOR 8	34.4	Not inspected
	NTB_0001 BT10 - TB STANDARD COIL - SECTOR 10	35.2	Not inspected

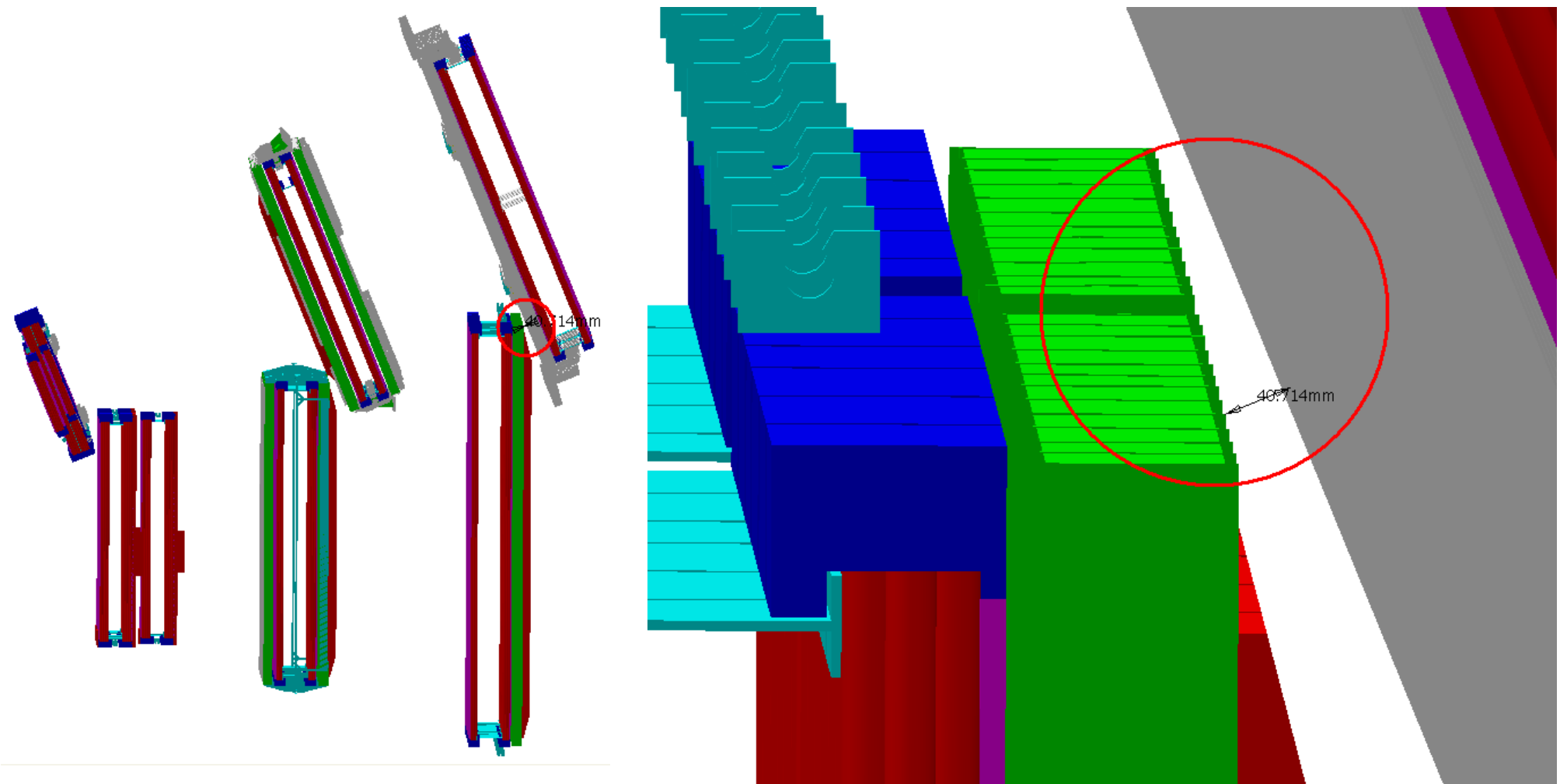
Computation Result:

AT602160MQ - MUON BARREL CHAMBERS DETAILED, SECTOR 9	NHX_0001 - SIMPLIFIED ACCESS PLATFORMS - END-CAP PART (SIDE A)	Clearance	45.5	Not inspected
---	---	-----------	------	---------------



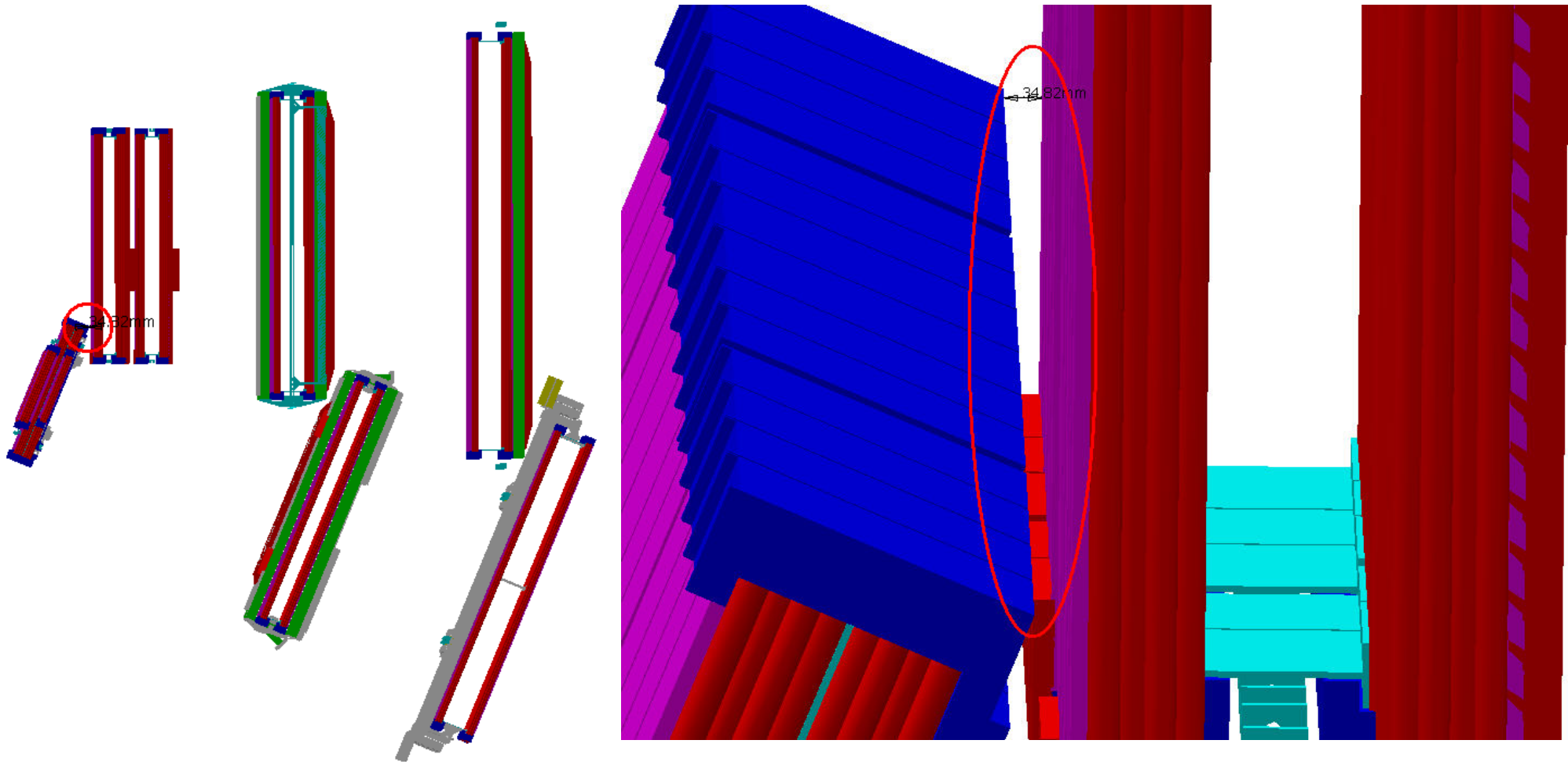
SIDE A
Sector 9

AT602160MQ - MUON BARREL CHAMBERS DETAILED, SECTOR 9	AT602159MQ - MUON BARREL CHAMBERS DETAILED. SECTOR 8	Clearance	40.7145	Not inspected
---	---	-----------	---------	---------------



SIDE A-C
Sector 9

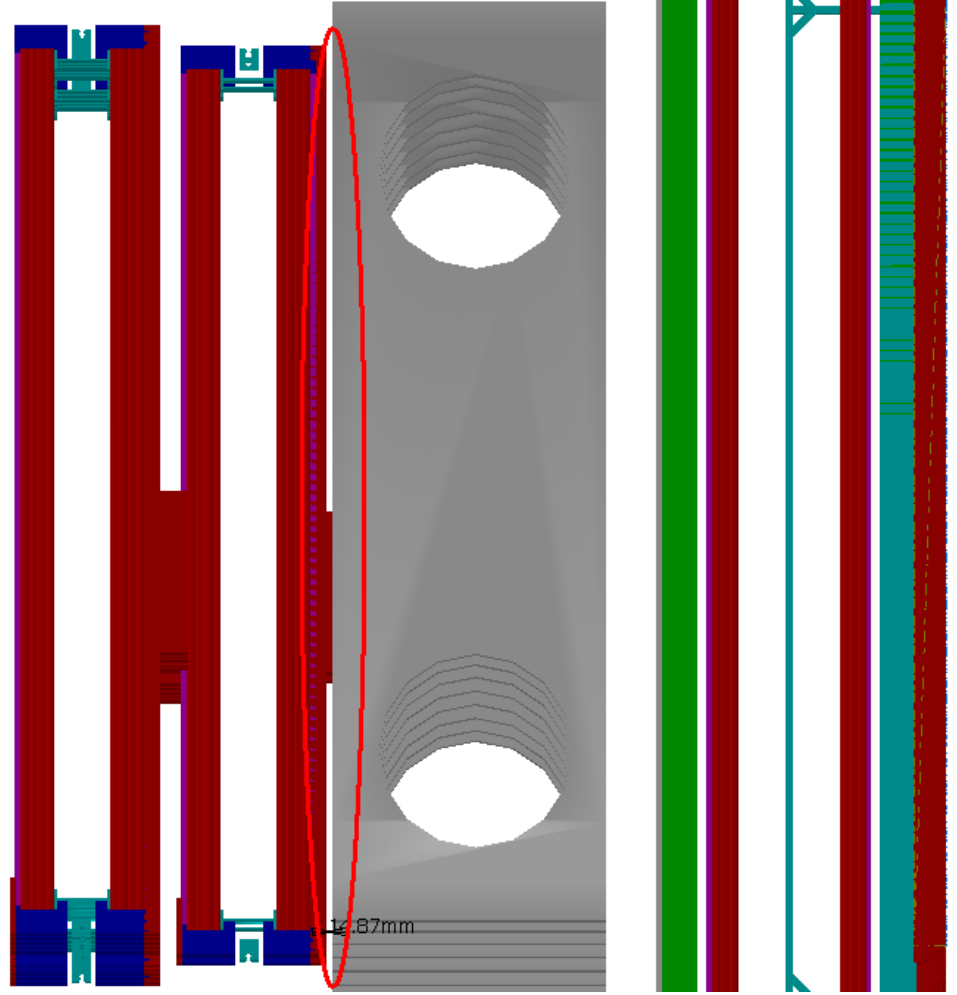
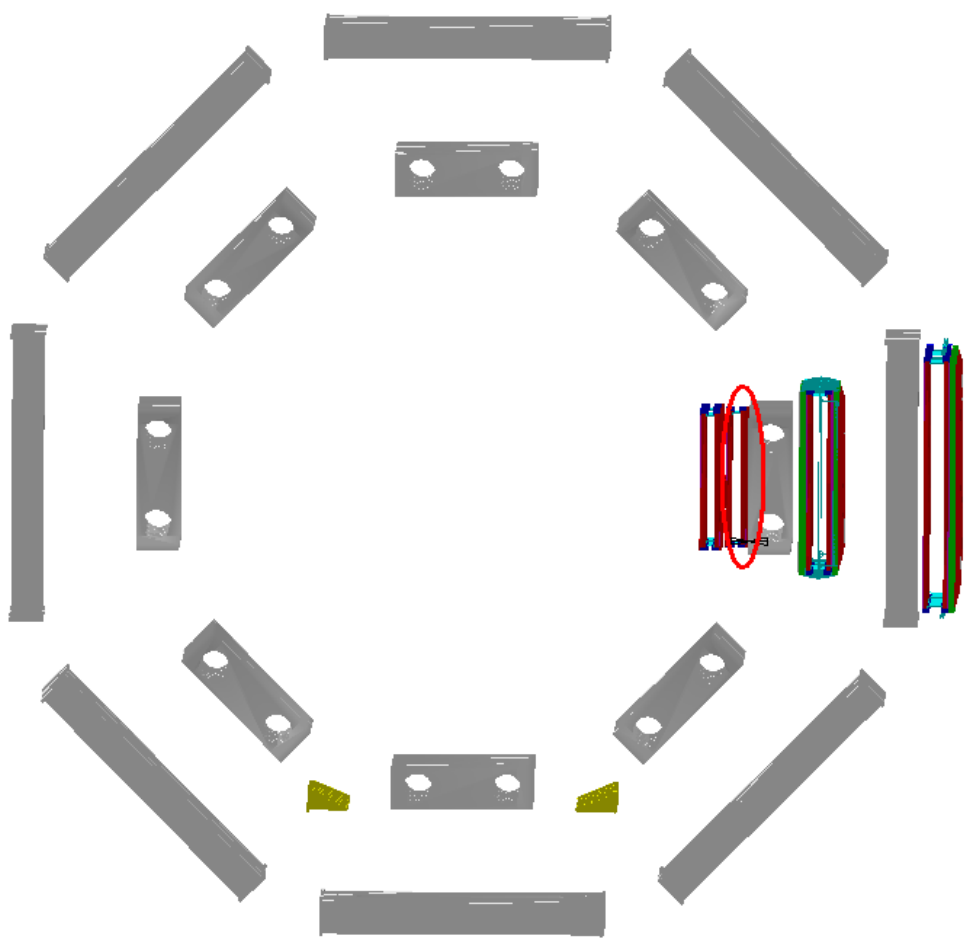
AT602160MQ - MUON BARREL CHAMBERS DETAILED, SECTOR 9	AT602168MQ - MUON BARREL CHAMBERS DETAILED. SECTOR 10	Clearance	34.8198	Not inspected
---	--	-----------	---------	---------------



SIDE A-C

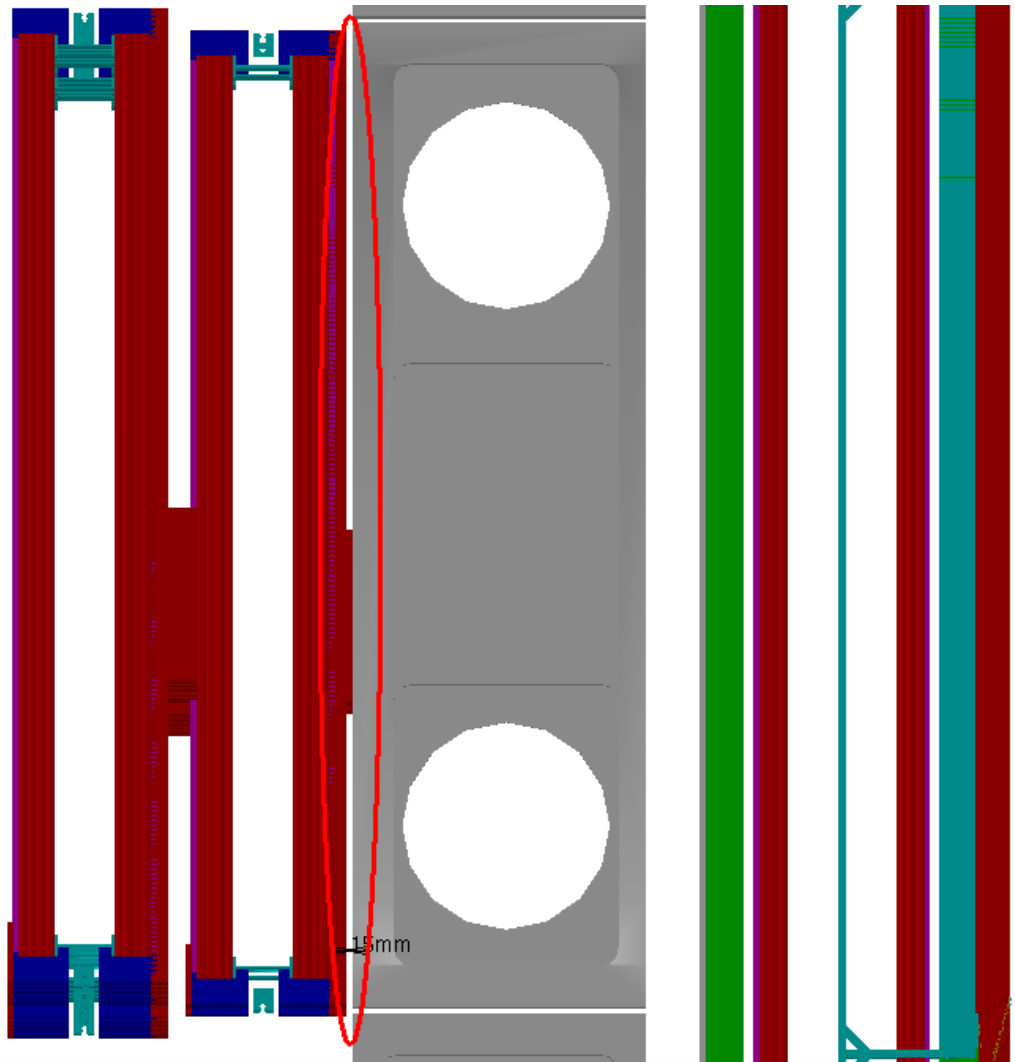
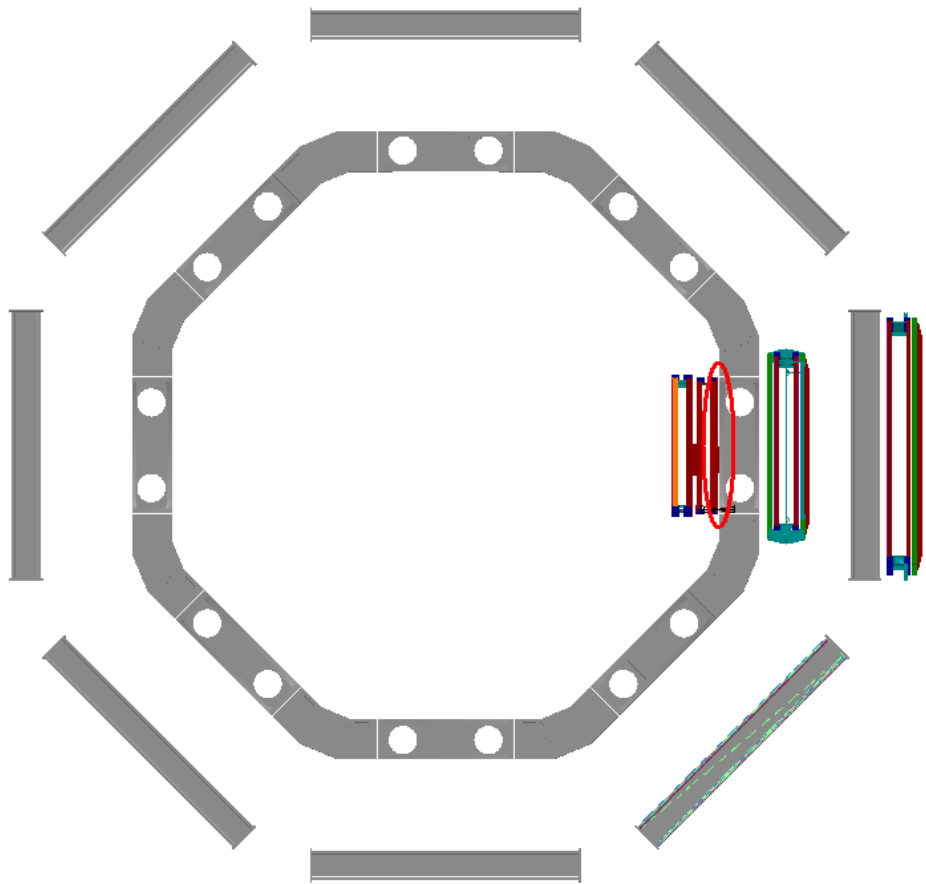
Sector 9

AT602160MQ - MUON BARREL CHAMBERS DETAILED, SECTOR 9	NTB_0003 - TB WARM STRUCTURE - SIMPLIFIED 3-D OBJECT	Clearance	14.8701	Not inspected
---	---	-----------	---------	---------------



SIDE A-C
Sector 9

AT602160MQ - MUON BARREL CHAMBERS DETAILED, SECTOR 9	NTB_0005 - TB WARM STRUCTURE - RING OF THE VOUSOIRS, STRUTS	Clearance	15	Not inspected
---	--	-----------	----	---------------



SIDE C
Sector 9

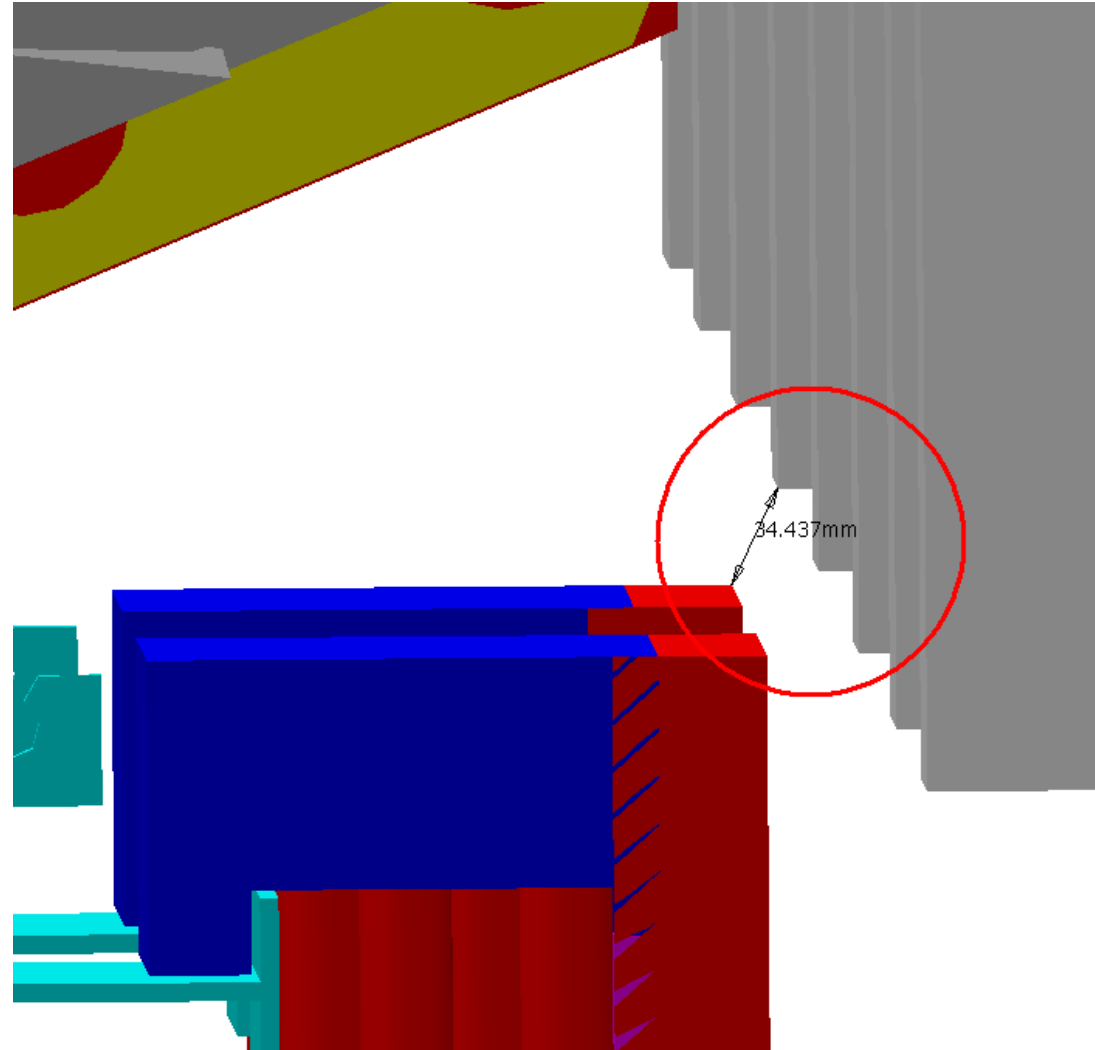
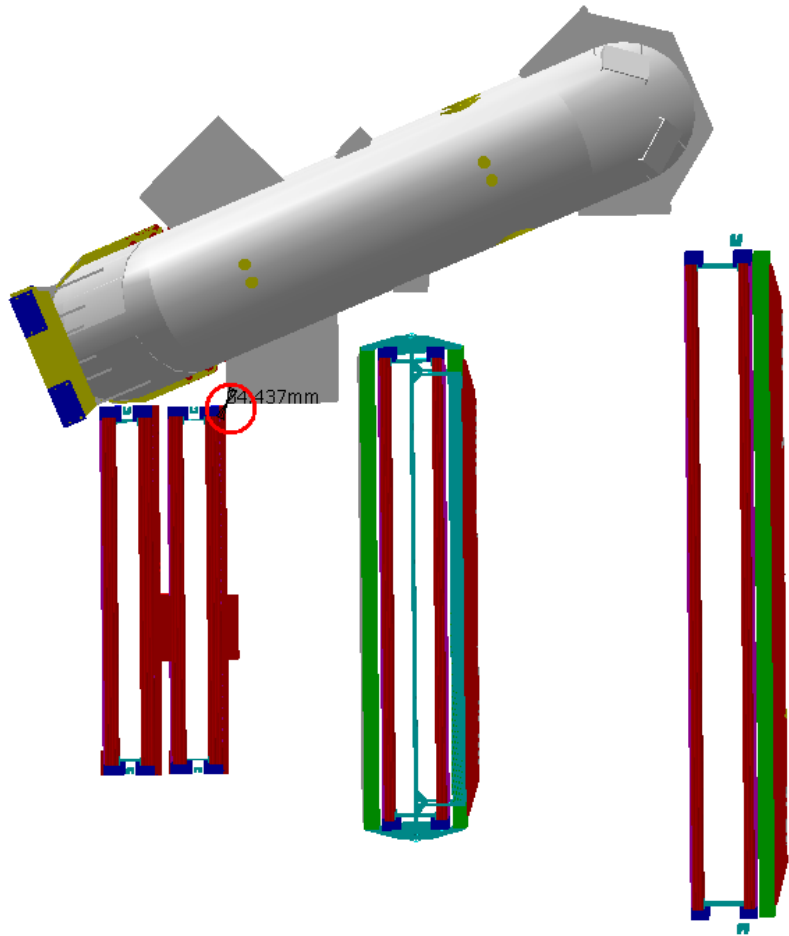
**AT602160MQ - MUON BARREL
CHAMBERS DETAILED, SECTOR 9**

NTB_0001 BT8 - TB STANDARD COIL - SECTOR 8

Clearance

34.4372

Not inspected



SIDE A-C

Sector 9

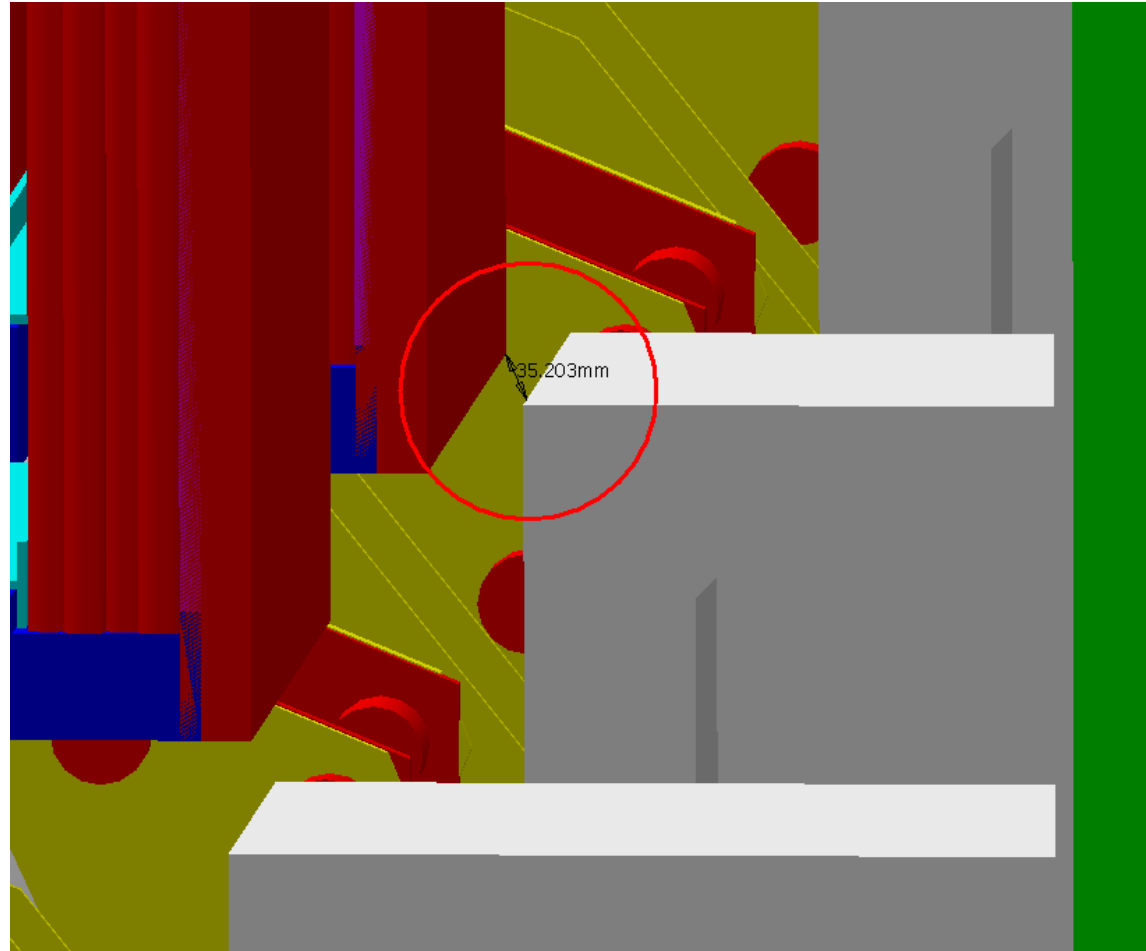
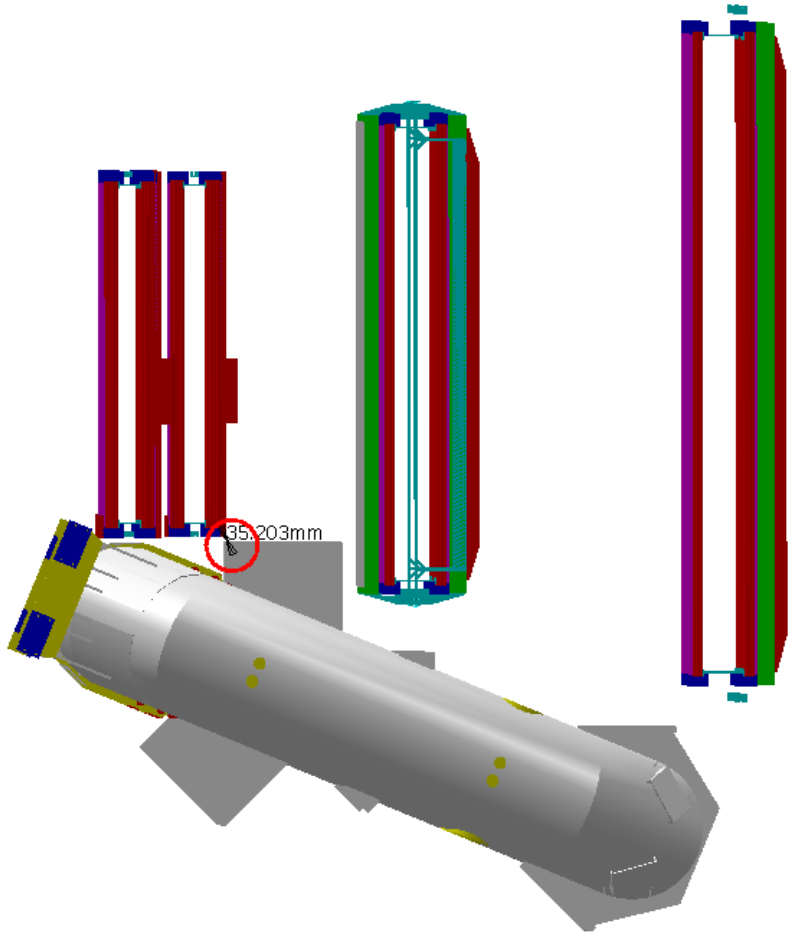
AT602160MQ - MUON BARREL
CHAMBERS DETAILED, SECTOR 9

NTB_0001 BT10 - TB STANDARD COIL - SECTOR 10

Clearance

35.2029

Not inspected



SIDE A-C

Sector 9