



Clash Publish

Clash Computation Specification			
Products Selected		Value	Status
AT602160MQ - MUON BARREL CHAMBERS DETAILED, SECTOR 9	NMA_0005 - BARREL PROJECTIVE ALIGNMENT. - SIMPLE 3-D MODEL. SECTOR 9	-6.3	Not inspected
	NMA_0014 - SECTOR 08 SIDE C (A) - REFERENCE ALIGNMENT SYSTEM AND	-73.8	Not inspected
	NMA_0015 - SECTOR 10 SIDE C (A) - REFERENCE ALIGNMENT SYSTEM AND	-74.5	Not inspected

Computation Result:

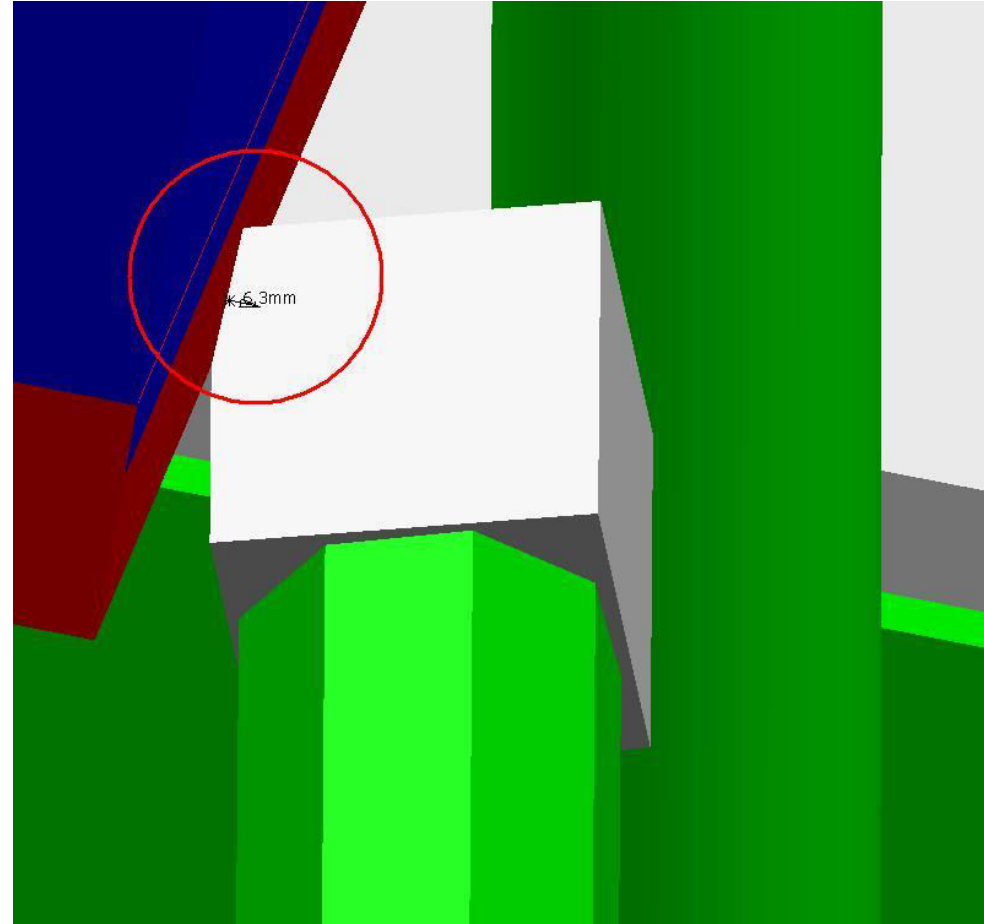
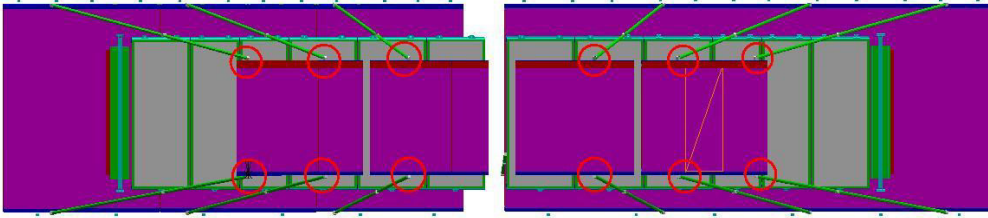
AT602160MQ - MUON BARREL
CHAMBERS DETAILED, SECTOR 9

NMA_0005 - BARREL PROJECTIVE ALIGNMENT. -
SIMPLE 3-D MODEL. SECTOR 9

Clash

-6.2599

Not inspected

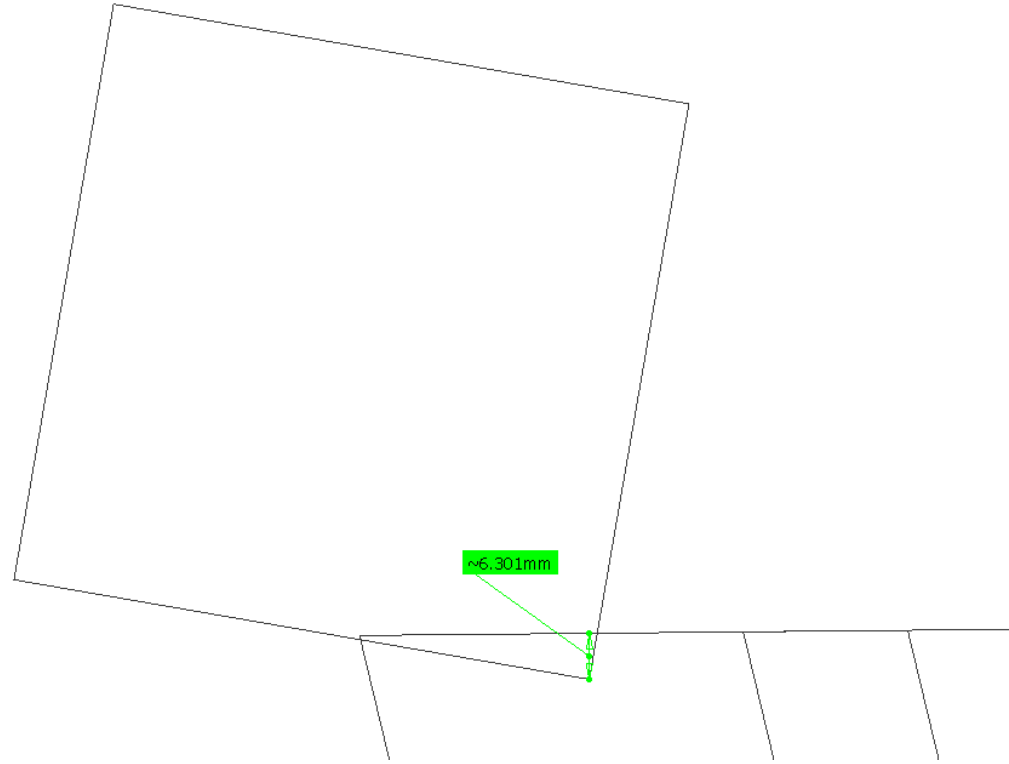
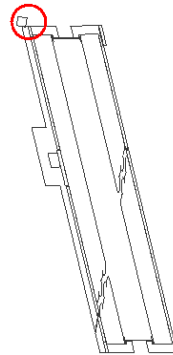
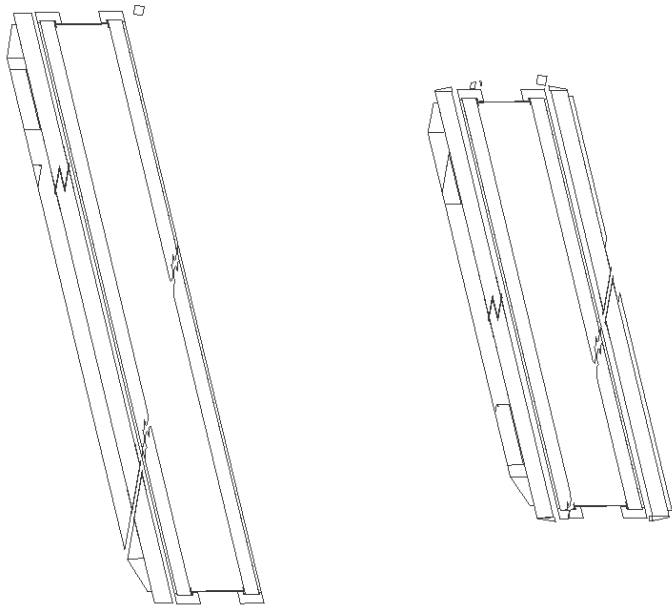
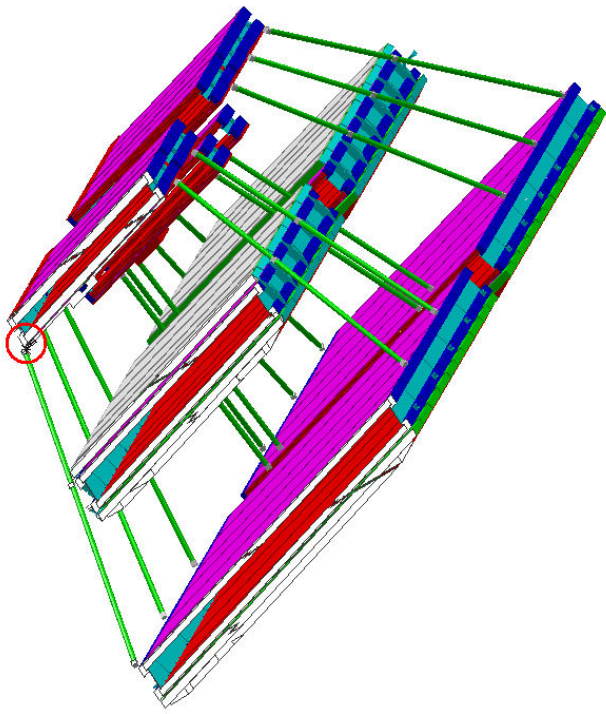


Clash value: ~ 6.3 mm

SIDE A-C

Sector 9

Clash View:



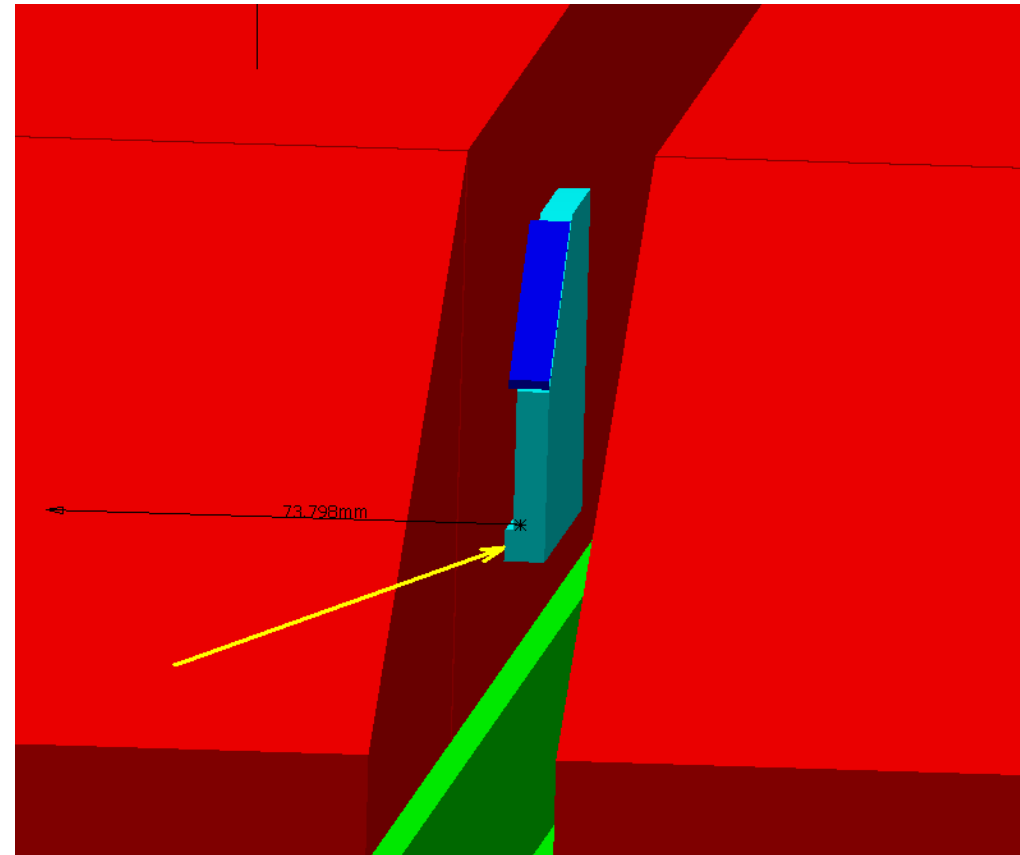
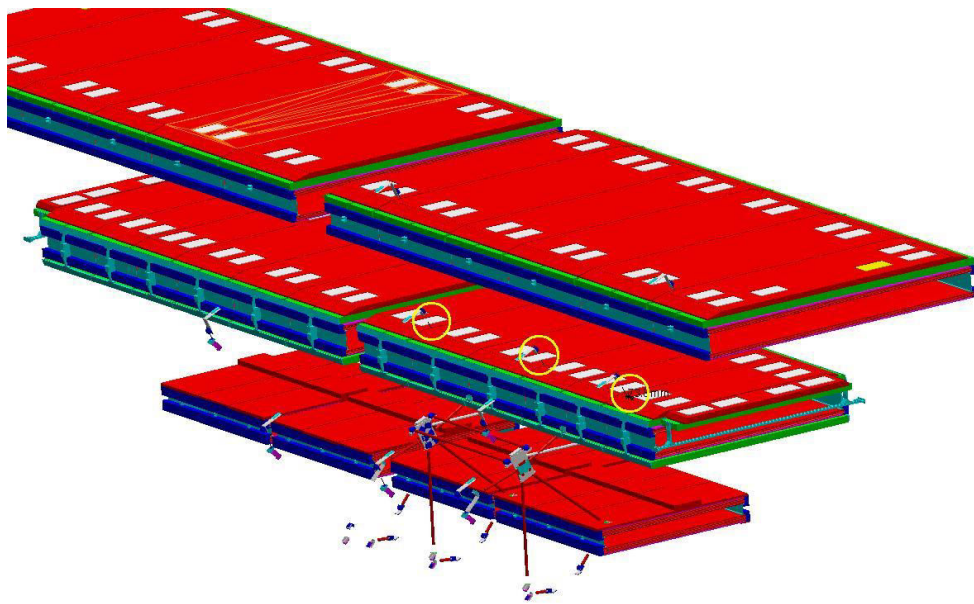
AT602160MQ - MUON BARREL
CHAMBERS DETAILED, SECTOR 9

NMA_0014 - SECTOR 08 SIDE C (A) - REFERENCE
ALIGNMENT SYSTEM AND

Clash

-73.798

Not inspected

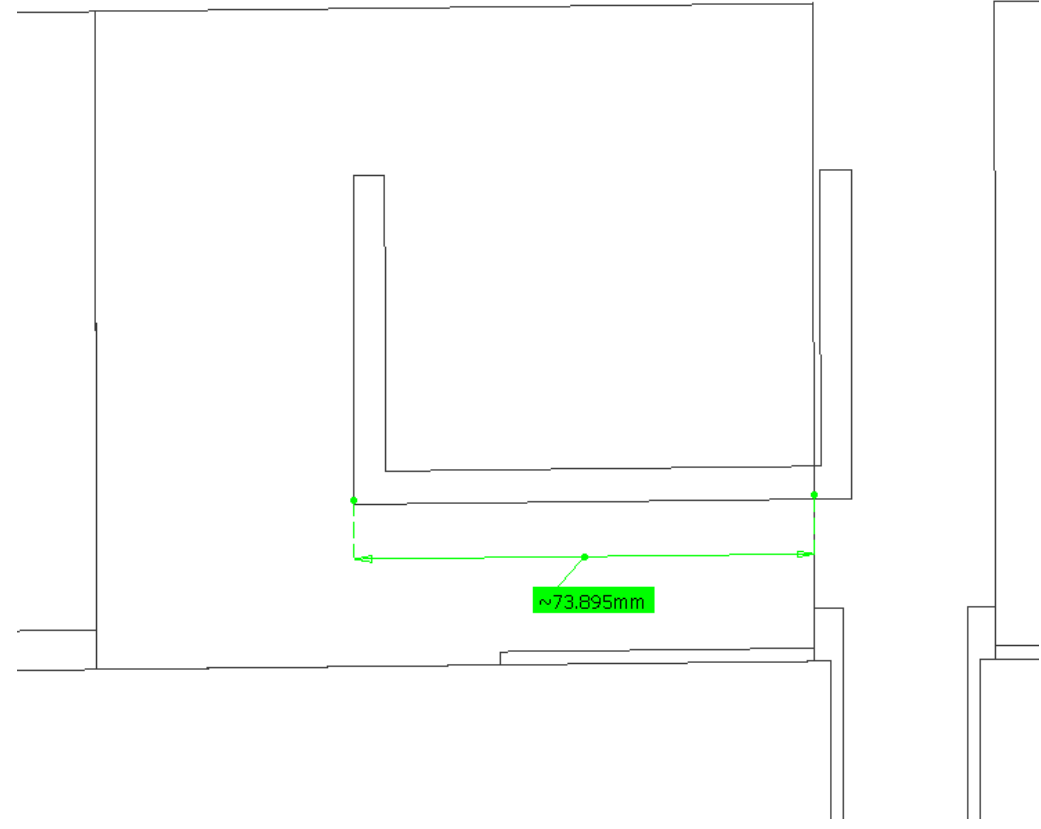
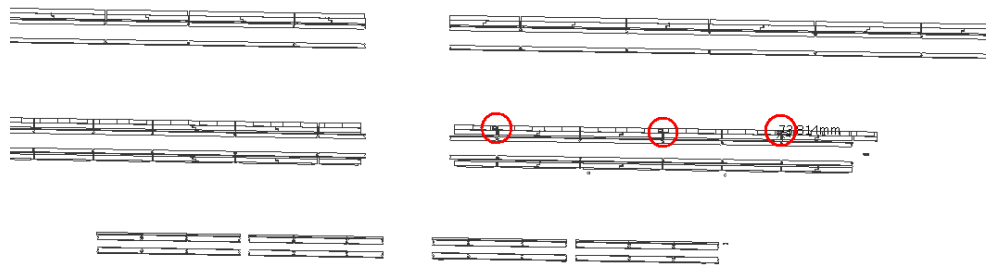
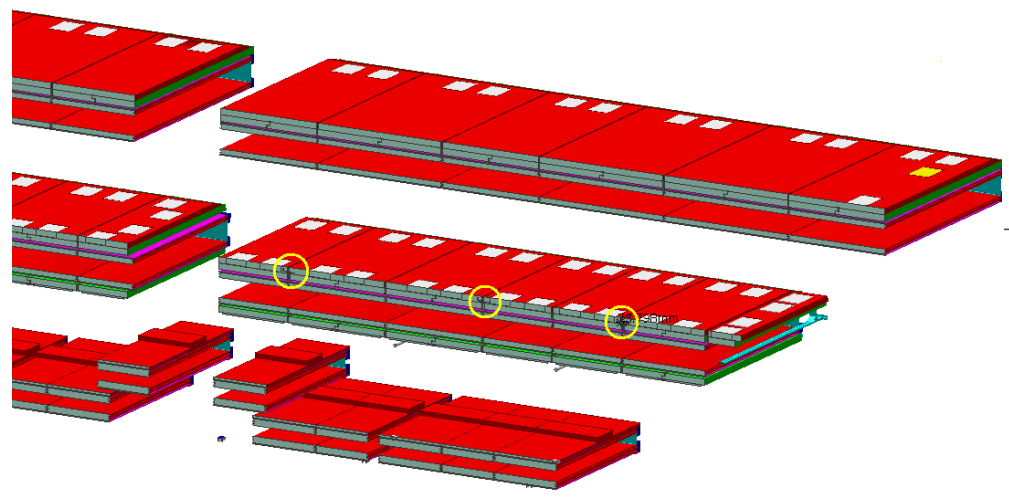


Clash value: ~ 73.8 mm

SIDE C

Sector 9

Clash View:



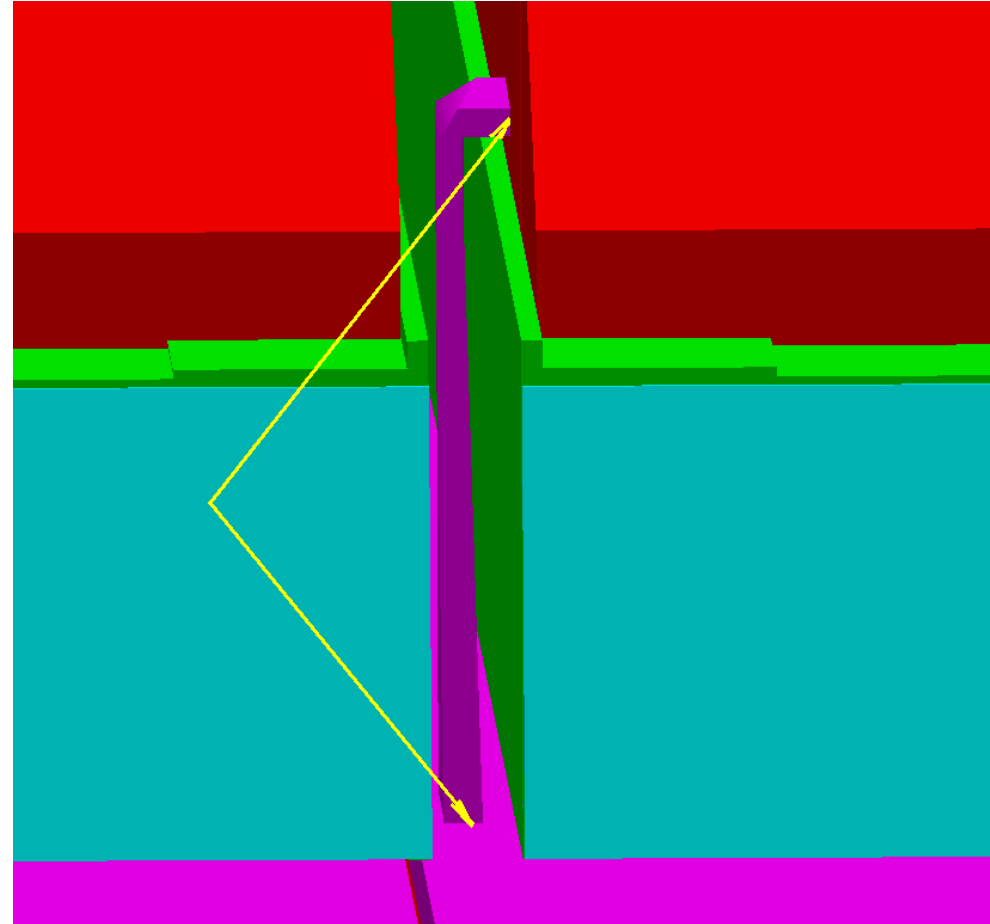
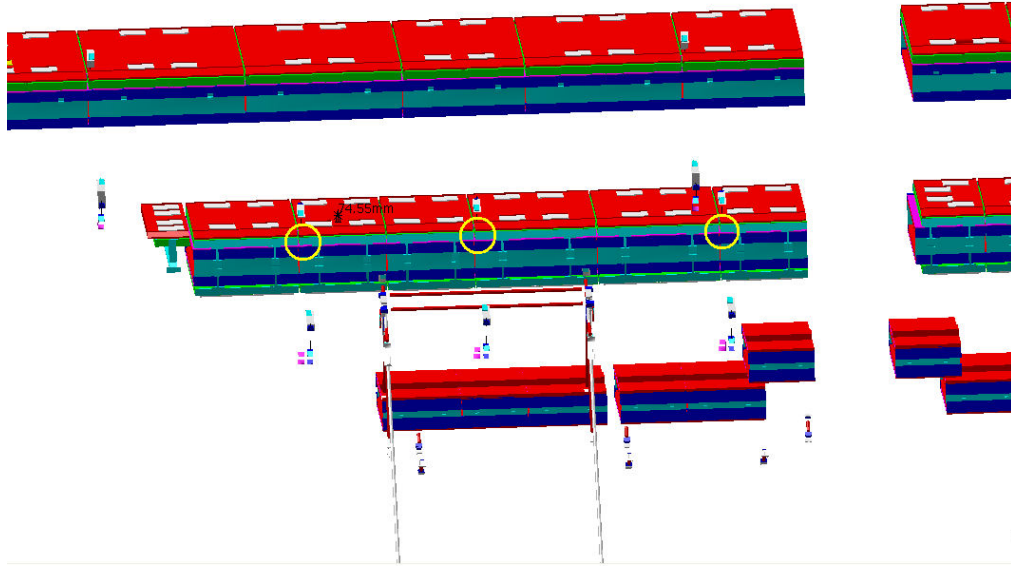
AT602160MQ - MUON BARREL
CHAMBERS DETAILED, SECTOR 9

NMA_0015 - SECTOR 10 SIDE C (A) - REFERENCE
ALIGNMENT SYSTEM AND

Clash

-74.5504

Not inspected



Clash value: ~ 74.5 mm

SIDE C

Sector 9

Clash View:

