

# Clearance Publish

Clearance=50mm



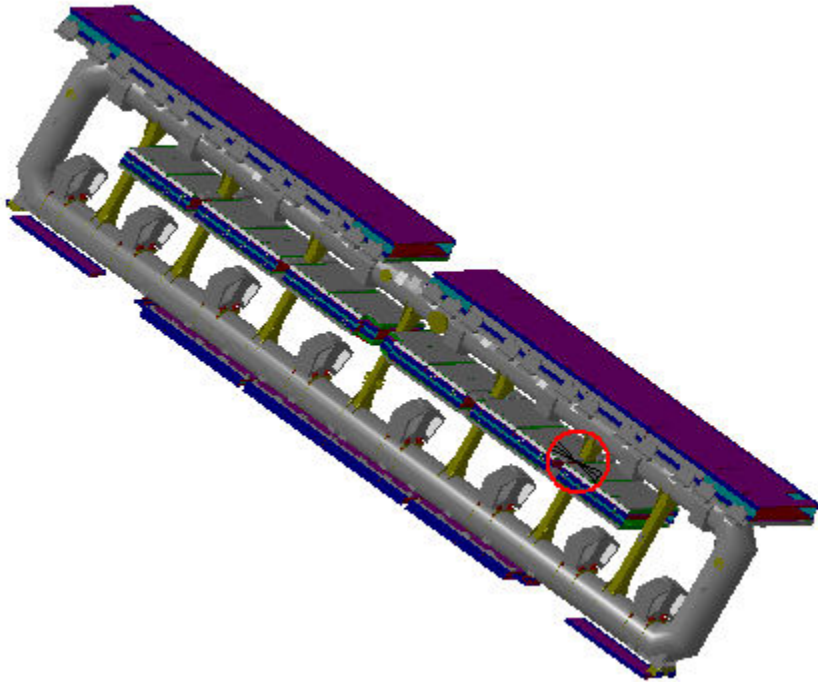
## Clearance Computation Specification

### Products Selected

AT602159MQ MCB Muon Barrel Chambers Detailed Sector 8	ATCNTB__0001 TB8 STANDARD COIL - SECTORS 8,	23.27	Not inspected
AT602159MQ MCB Muon Barrel Chambers Detailed Sector 8	ATCNJ__0003 JD SHIELDING (SIDE C) - WITH TGC MUON CHAMBERS .	44.39	Not inspected
AT602159MQ MCB Muon Barrel Chambers Detailed Sector 8	ATCNMC__0018 SMALL WHEEL (SIDE C) - SIMPLIFIED 3-D OBJECT	29.89	Not inspected
AT602159MQ MCB Muon Barrel Chambers Detailed Sector 8	AT602157MQ- MCB Muon Barrel Chambers Detailed sector 7	40.7	Not inspected
AT602159MQ MCB Muon Barrel Chambers Detailed Sector 8	AT602160MQ- MCB Muon Barrel Chambers Detailed sector 9	40.71	Not inspected
AT602159MQ MCB Muon Barrel Chambers Detailed Sector 8	ATCNHX_0001 SIMPLIFIED ACCESS PLATFORMS - END-CAP PART (SIDE A)	0	Not inspected

**Computation Result:**

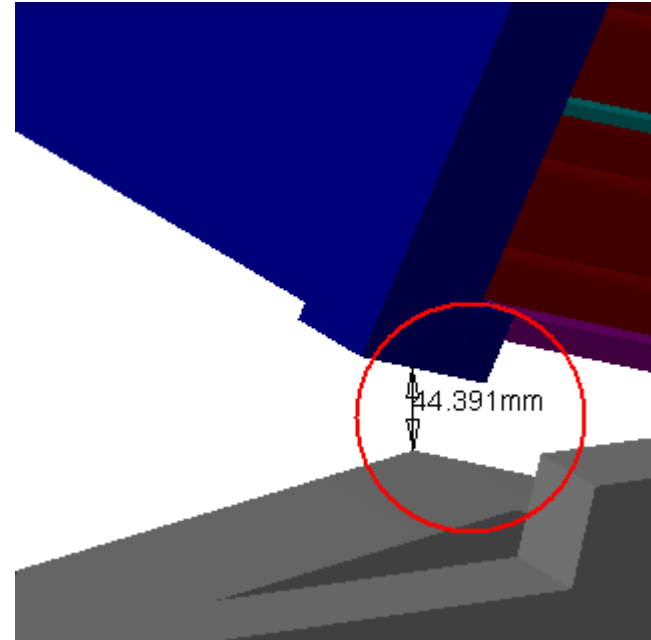
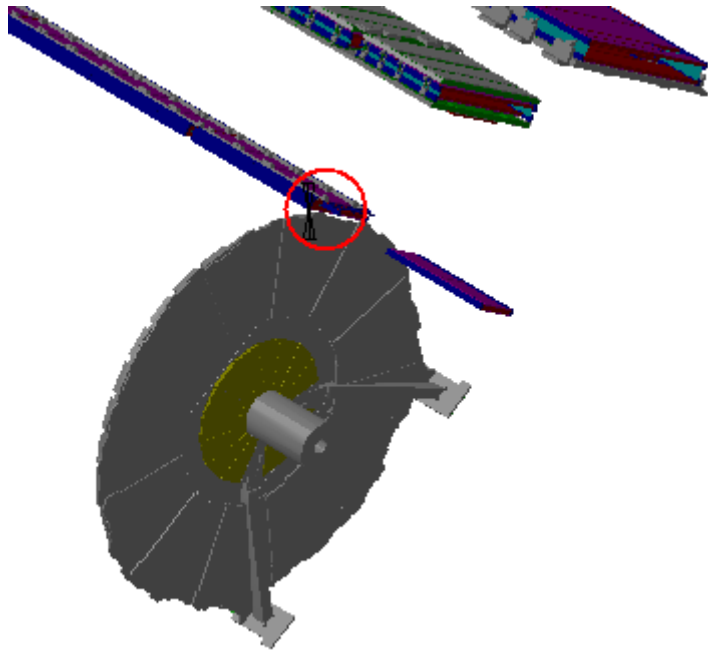
AT602159MQ MCB Muon Barrel Chambers Detailed Sector 8	ATCNTB__0001 SECTORS 8,	TB8 STANDARD COIL -	Clearance	Value=23.27mm	Not inspected
--	----------------------------	---------------------	-----------	---------------	---------------



Side C

Sector 8

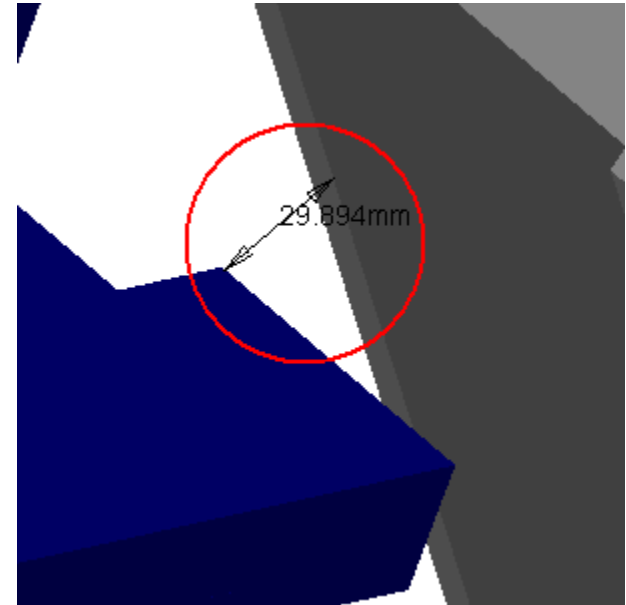
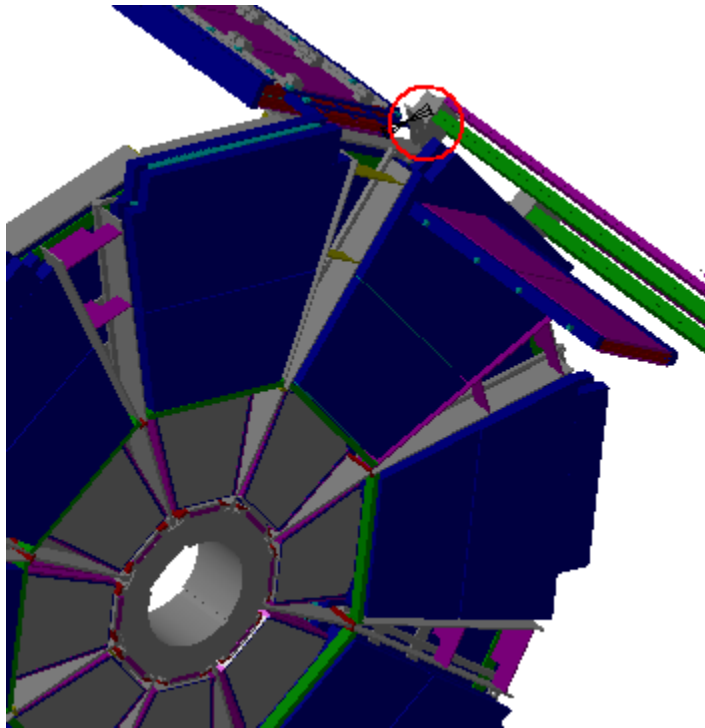
AT602159MQ MCB Muon Barrel Chambers Detailed Sector 8	ATCNJ__0003 JD SHIELDING (SIDE C) - WITH TGC MUON CHAMBERS .	Clearance	Value=44.39mm	Not inspected
---	--	-----------	---------------	---------------



Side C

Sector 8

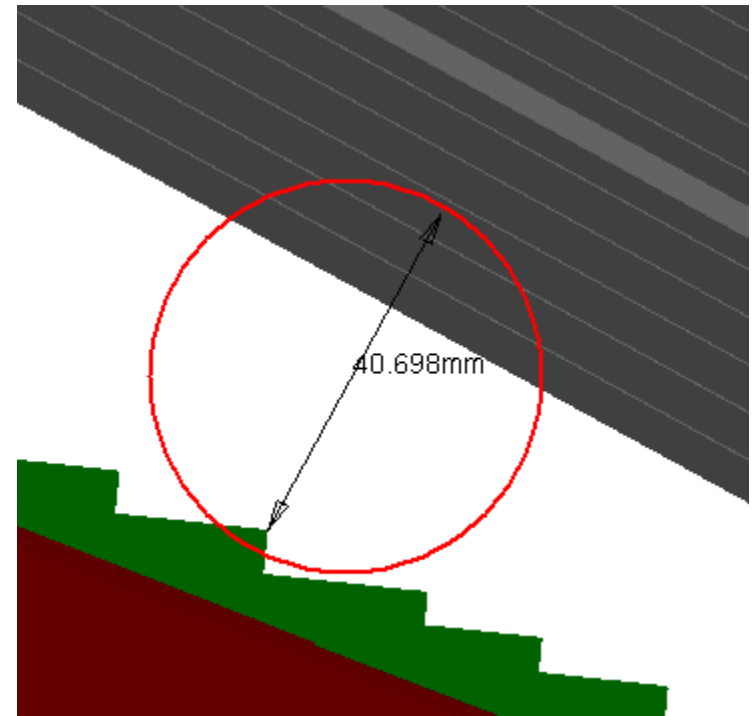
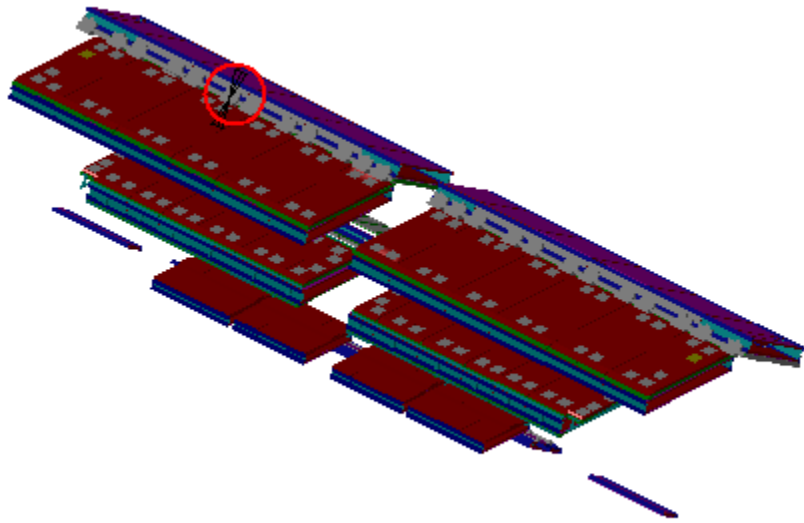
AT602159MQ MCB Muon Barrel Chambers Detailed Sector 8	ATCNMC__0018 SMALL WHEEL (SIDE C) - SIMPLIFIED 3-D OBJECT	Clearance	Value =29.89mm	Not inspected
--	--	-----------	----------------	---------------



Side C

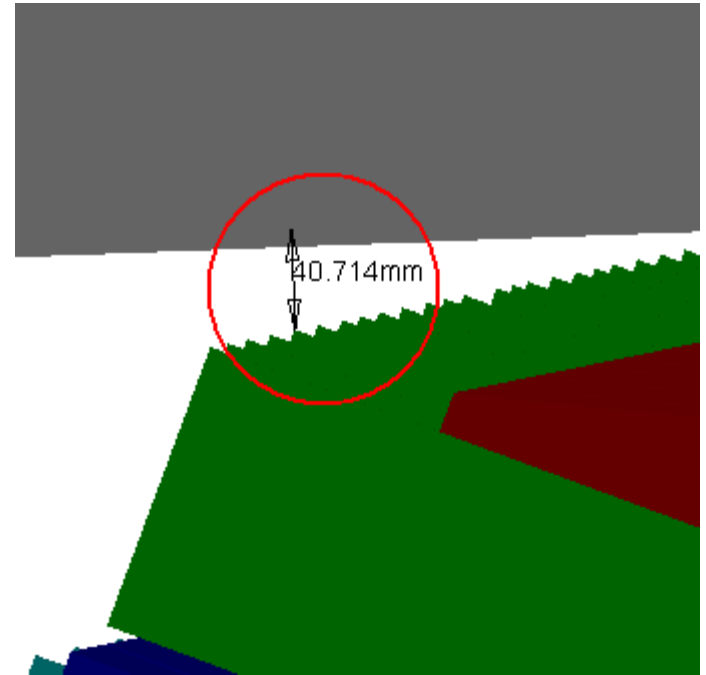
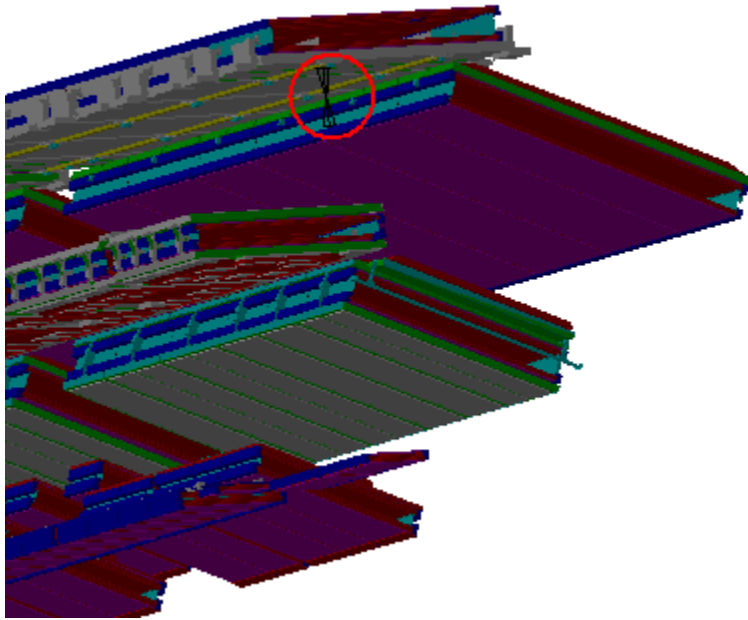
Sector 8

AT602159MQ MCB Muon Barrel Chambers Detailed Sector 8	AT602157MQ MCB Muon Barrel Chambers Detailed Sector 7	Value =40.7mm	Not inspected
---	---	---------------	---------------



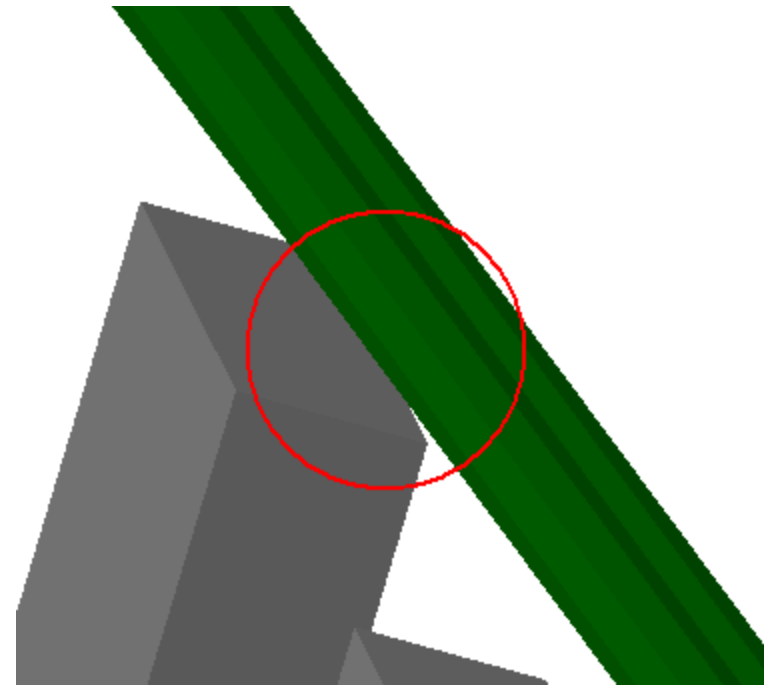
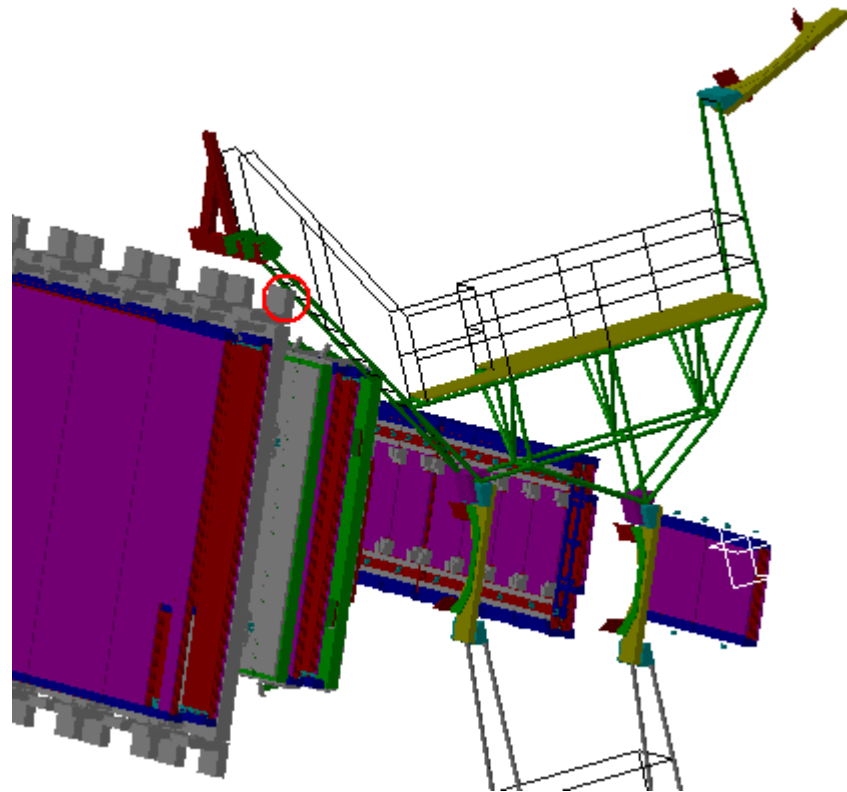
Side A  
Sector 7

AT602159MQ MCB Muon Barrel Chambers Detailed Sector 8	AT602160MQ- MCB Muon Barrel Chambers Detailed sector 9	Clearance	Value =40.71mm	Not inspected
--	---	-----------	----------------	---------------



Side C  
Sector 9

AT602159MQ MCB Muon Barrel Chambers Detailed Sector 8	ATCNHX_0001 SIMPLIFIED ACCESS PLATFORMS - END-CAP PART (SIDE A)	Contact	Not inspected
--	--	---------	---------------



Side A  
Sector 8