

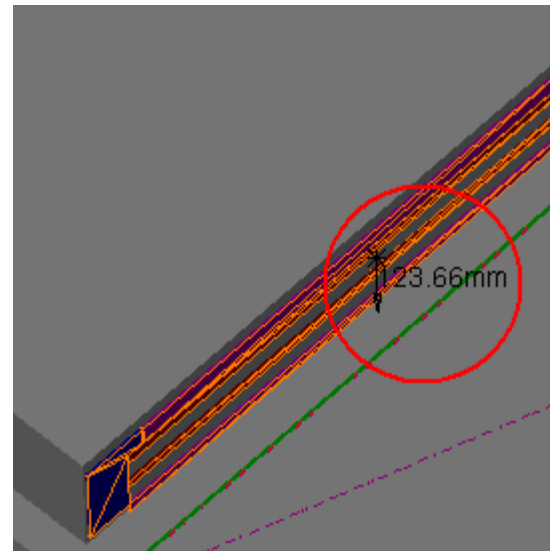
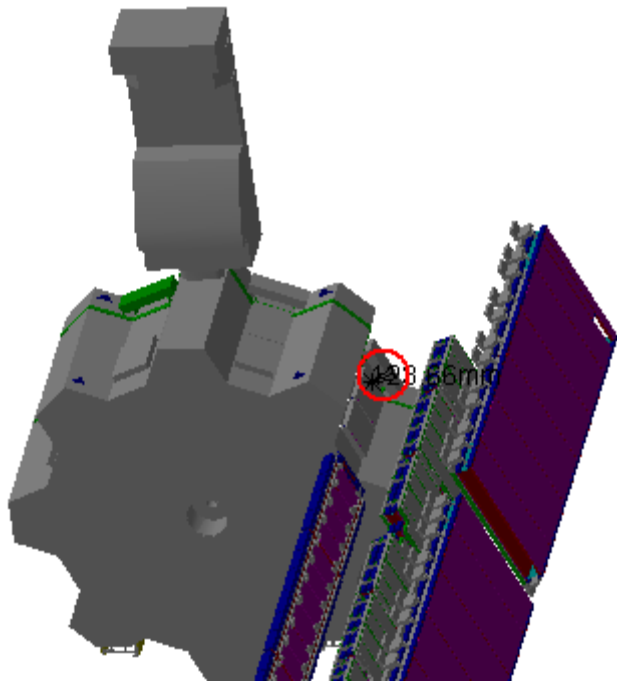


Clash Publish

Clash Computation Specification			
Products Selected			
AT602159 MQ MCB Muon Barrel Chambers Detailed sector 8	ATCZ5__0001 Z5 GLOBAL ENVELOPE (SIDE C) - AND LOCATION INTERFACES (under construction)		
AT602159 MQ MCB Muon Barrel Chambers Detailed sector 8	ATCZ5__0002 Z5 GLOBAL ENVELOPE (SIDE A) - AND LOCATION INTERFACES	-123.66	Not inspected
AT602159 MQ MCB Muon Barrel Chambers Detailed sector 8	ATCNMA__0004 BARREL PROJECTIVE ALIGNMENT. - SIMPLE 3-D MODEL. SECTOR 7.	-0.62	Not inspected
AT602159 MQ MCB Muon Barrel Chambers Detailed sector 8	ATCNMA__0005 BARREL PROJECTIVE ALIGNMENT. - SIMPLE 3-D MODEL. SECTOR 9.	-1.94	Not inspected
AT602159MQ MCB Muon Barrel Chambers Detailed sector 8	ATCNMA__0009 END CAP ALIGNMENT SIDE "A". - SIMPLE 3-D MODEL.	-733.81	Not inspected
AT602159MQ MCB Muon Barrel Chambers Detailed sector 8	ATCNMA__0010 END CAP ALIGNMENT SIDE "C" - SIMPLE 3-D MODEL.	-733.36	Not inspected
AT602159 MQ MCB Muon Barrel Chambers Detailed sector 8	ATCNMA__0014 SECTOR 08 SIDE C (A) - REFERENCE ALIGNMENT SYSTEM AND	-166.3	Not inspected

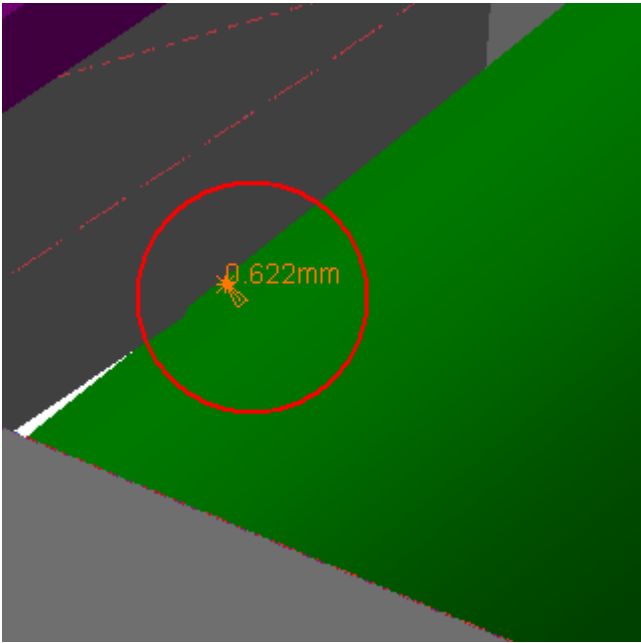
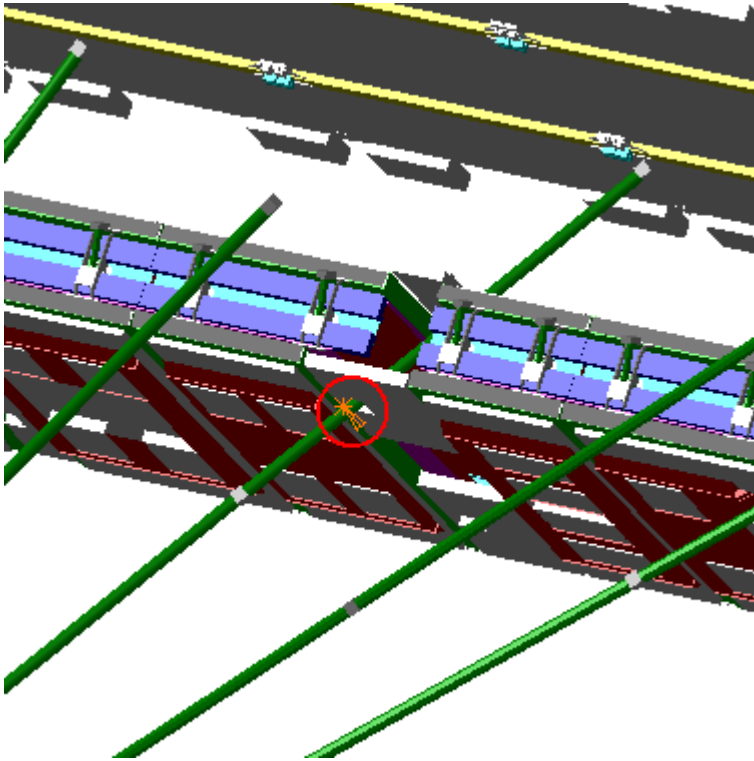
Computation Result:

AT602159 MQ MCB Muon Barrel Chambers Detailed sector 8	ATCZ5__0002 Z5 GLOBAL ENVELOPE (SIDE A) - AND LOCATION INTERFACES	Clash	-123.66mm	Not inspected
--	---	-------	-----------	---------------



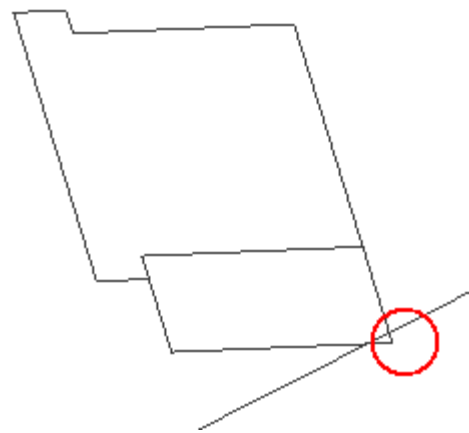
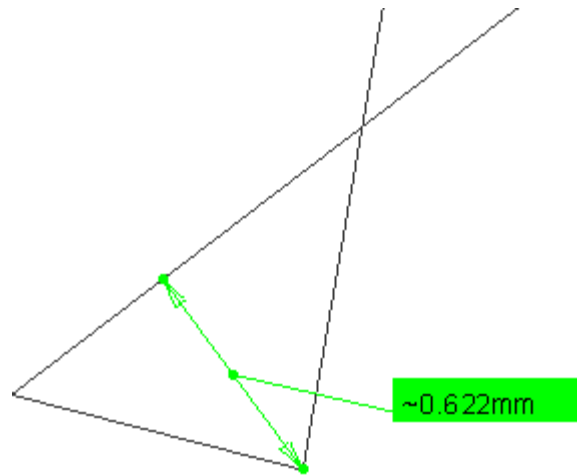
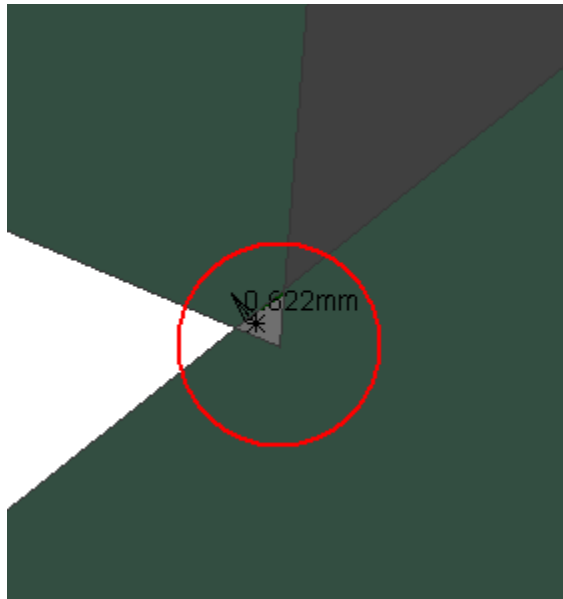
Side A
Sector 8

AT602159 MQ MCB Muon Barrel Chambers Detailed sector 8	ATCNMA_0004 BARREL PROJECTIVE ALIGNMENT. - SIMPLE 3-D MODEL. SECTOR 7.	Clash	-0.62mm	Not inspected
--	--	-------	---------	---------------

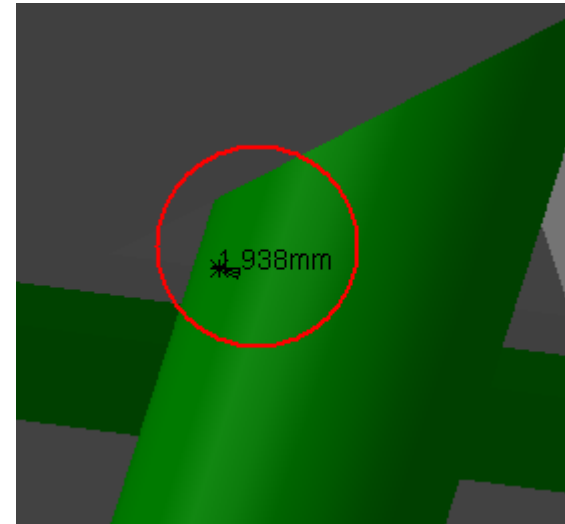
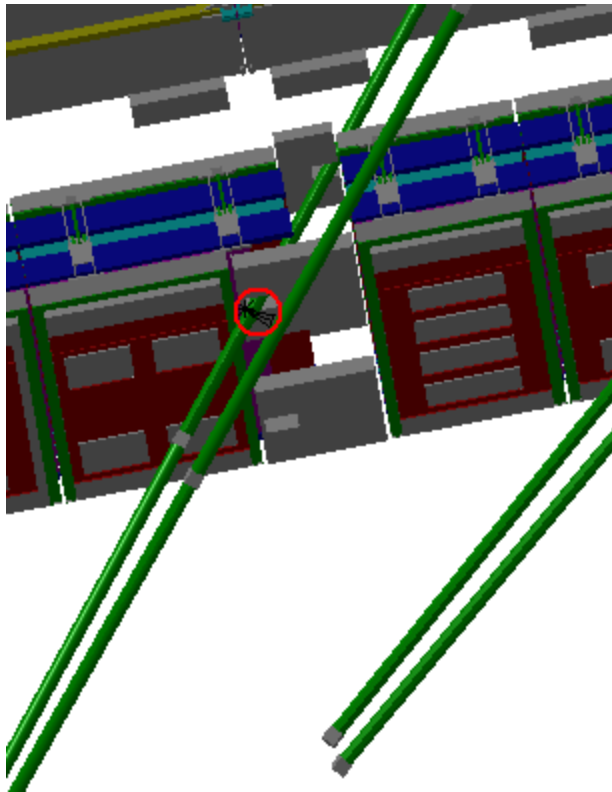


Side C
Sector 7

Clash View 1:

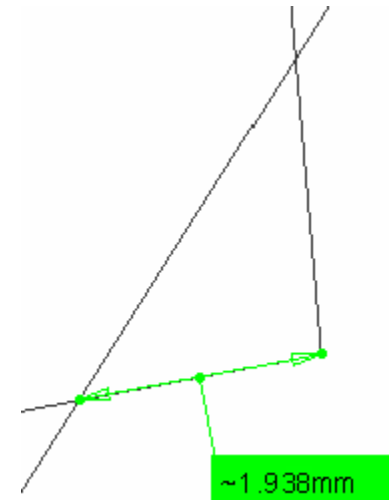
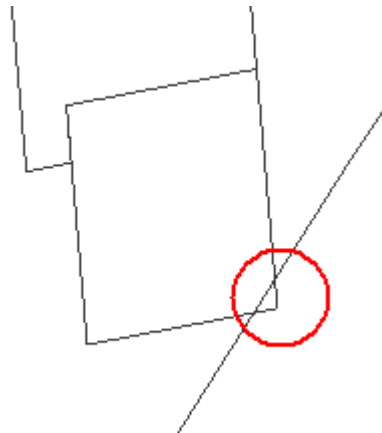
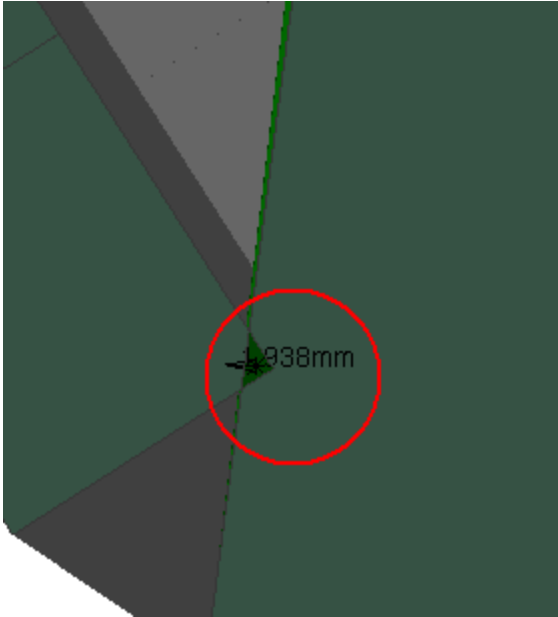


AT602159 MQ MCB Muon Barrel Chambers Detailed sector 8	ATCNMA_0005 BARREL PROJECTIVE ALIGNMENT. - SIMPLE 3-D MODEL. SECTOR 9.	Clash	-1.94mm	Not inspected
---	--	-------	---------	---------------

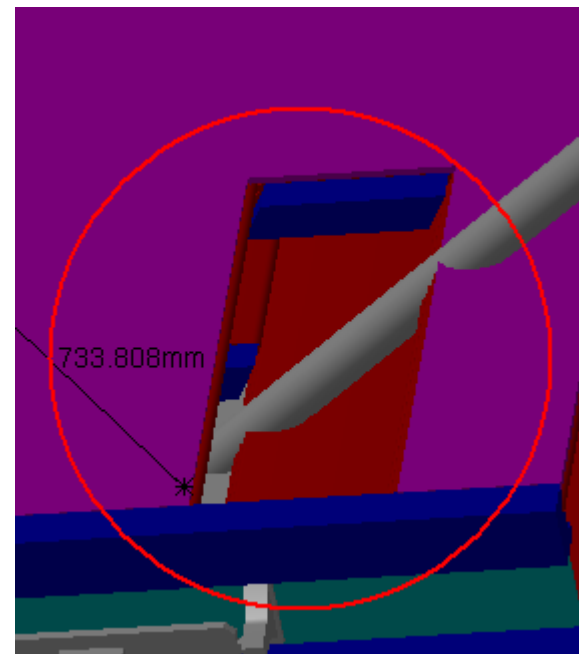
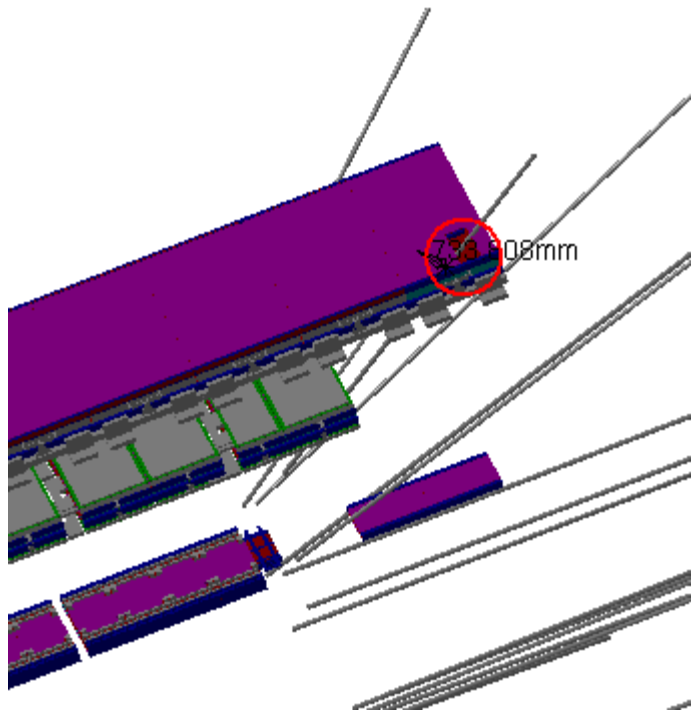


Side C
Sector 8

Clash View 1:

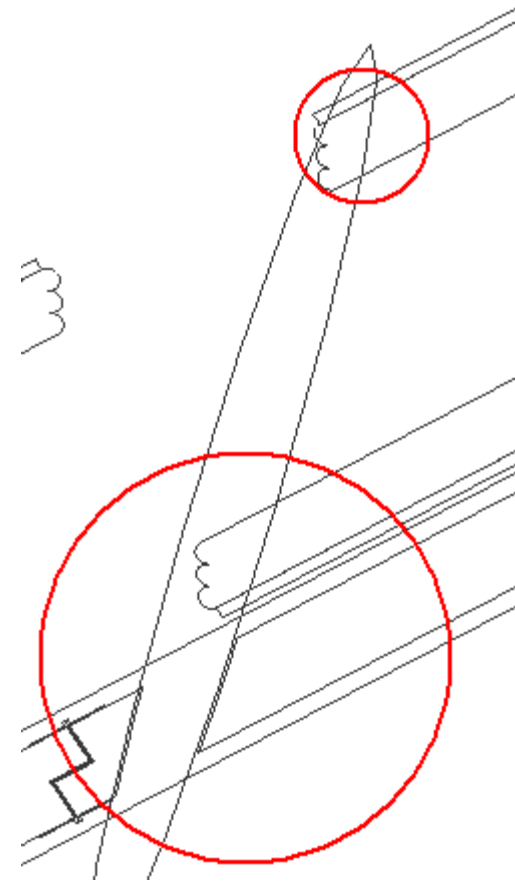
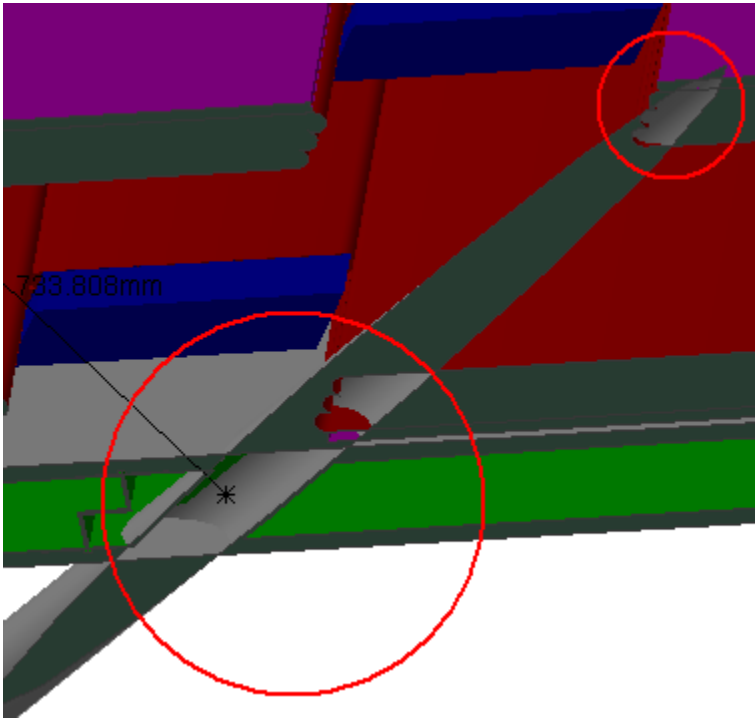


AT602159 MQ MCB Muon Barrel Chambers Detailed sector 8	ATCNMA_0009 END CAP ALIGNMENT SIDE "A". - SIMPLE 3-D MODEL.	Clash	-733.81 mm	Not inspected
---	---	-------	------------	---------------

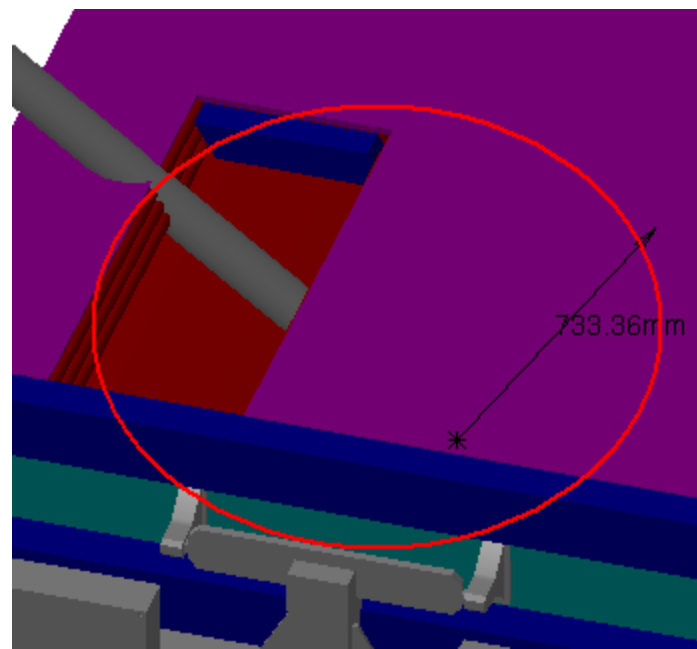
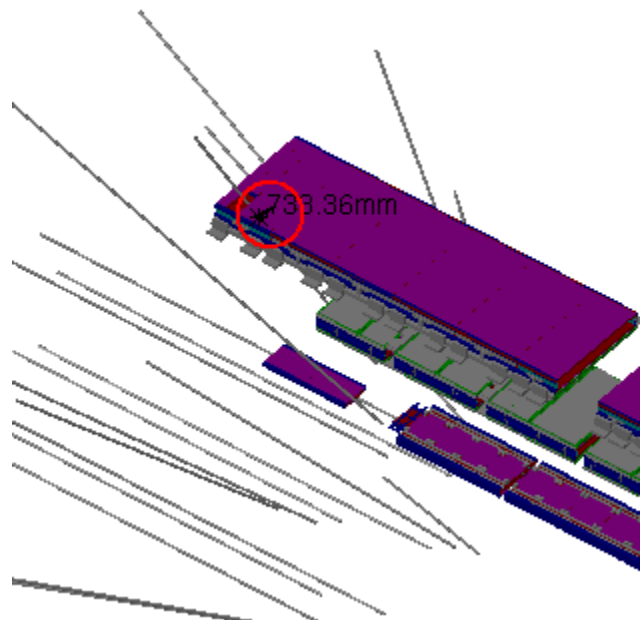


Side A
Sector 8

Clash View 1:

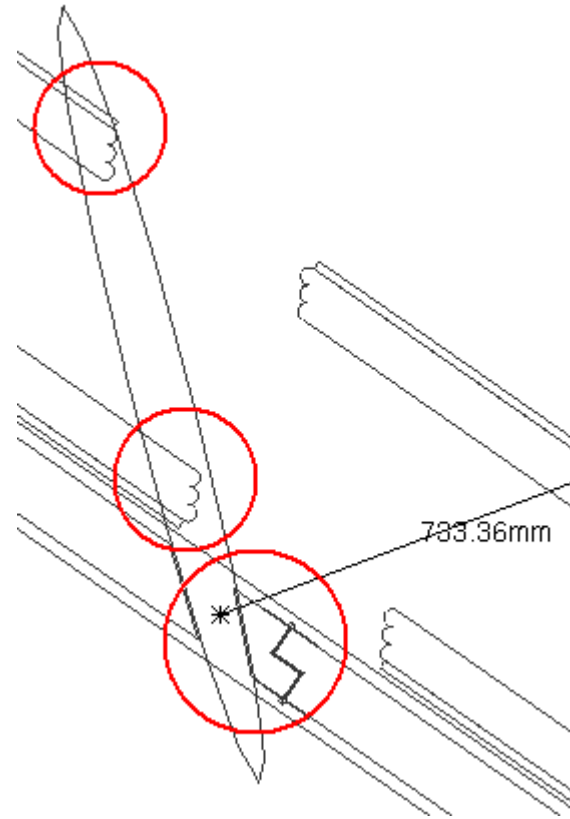
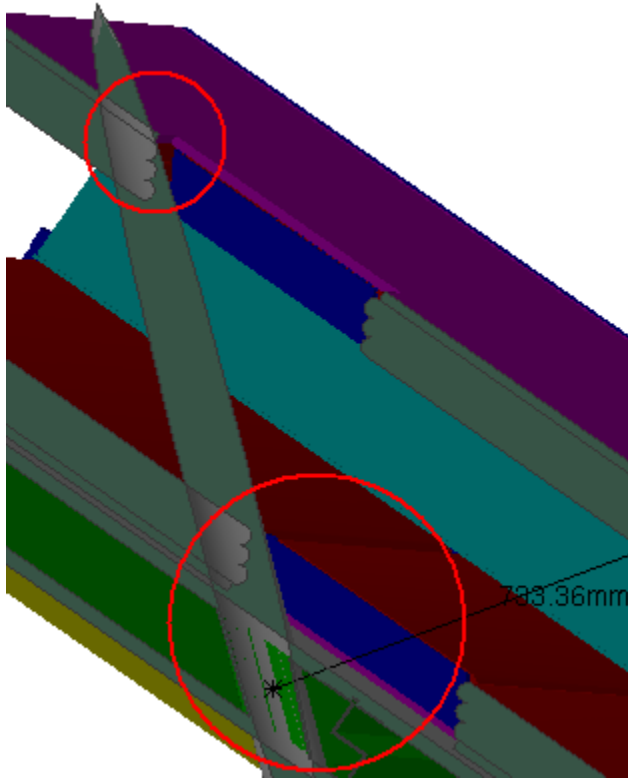


AT602159 MQ MCB Muon Barrel Chambers Detailed sector 8	ATCNMA_0010 END CAP ALIGNMENT SIDE "C" - SIMPLE 3-D MODEL.	Clash	-733.36 mm	Not inspected
---	--	-------	------------	---------------

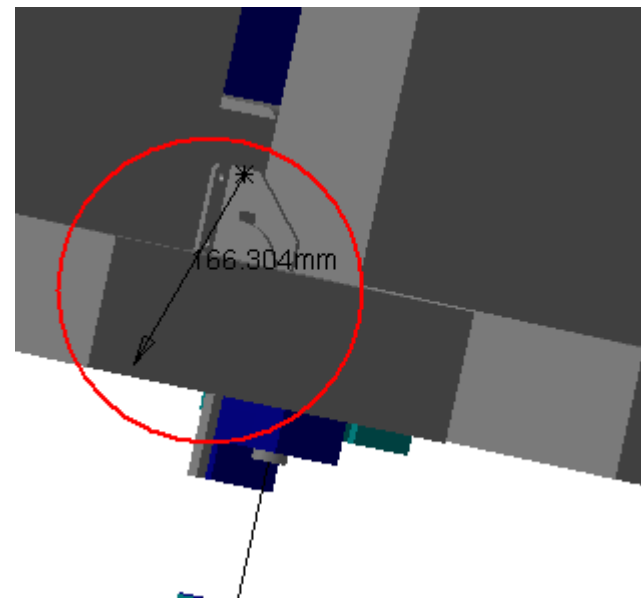
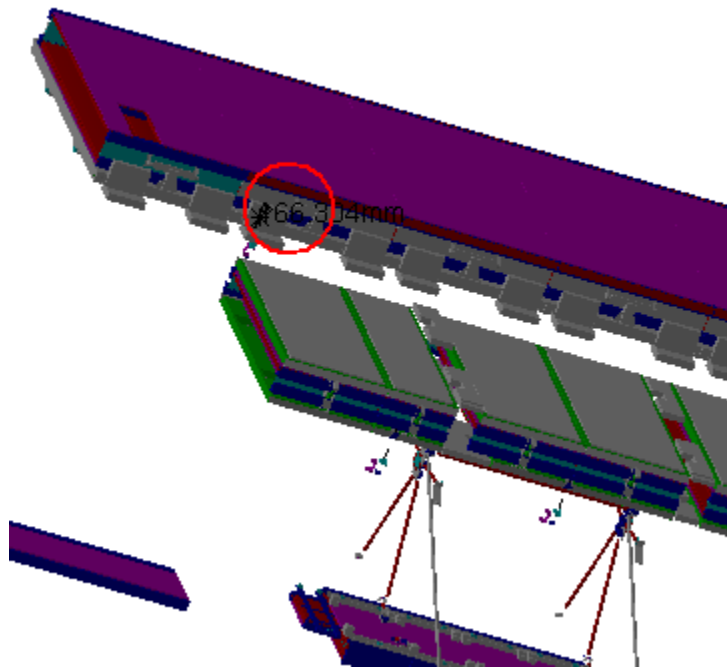


Side C
Sector 8

Clash View 1:



AT602159 MQ MCB Muon Barrel Chambers Detailed sector 8	ATCNMA_0014 SECTOR 08 SIDE C (A) - REFERENCE ALIGNMENT SYSTEM AND	Clash	--166.3mm	Not inspected
---	---	-------	-----------	---------------



Side C
Sector 8

Clash View 1:

