



Clearance Publish

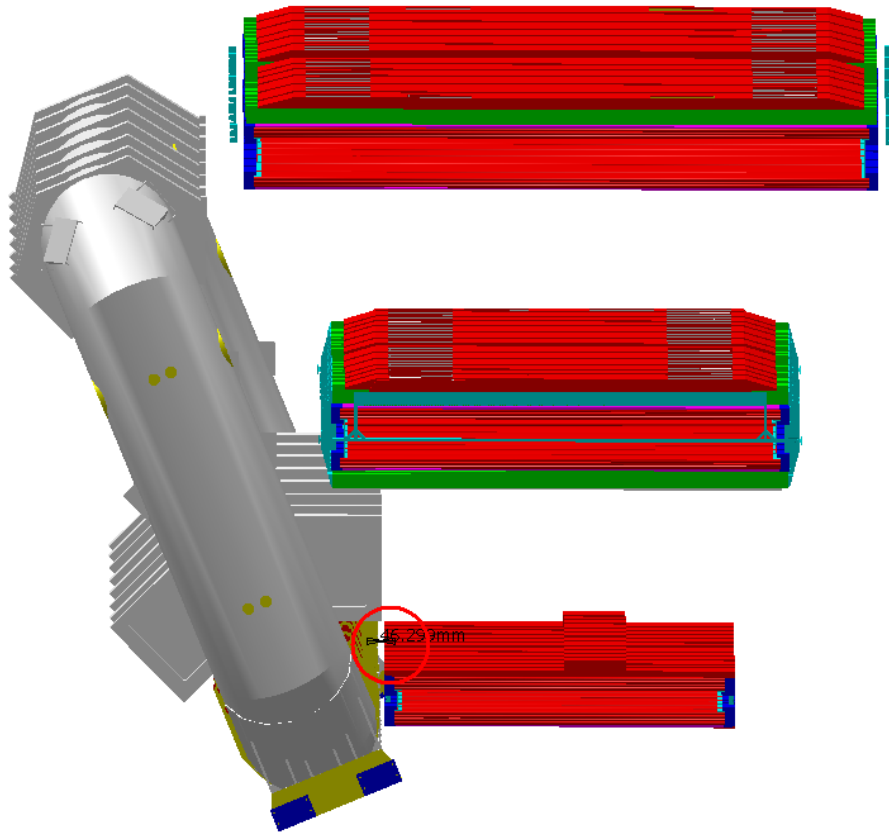
Clearance = 50mm

Clearance Computation Specification			
Products Selected		Value	Status
AT602156MQ - MUON BARREL CHAMBERS DETAILED, SECTOR 5	AT602154MQ Sec.4 - MUON BARREL CHAMBERS DETAILED. SECTOR 4 *	-	-
	AT602154MQ Sec.6 - MUON BARREL CHAMBERS DETAILED. SECTOR 6 *	-	-
	NTB_0001 BT4 - TB STANDARD COIL - SECTOR 4	46.3	Not inspected
	NTB_0001 BT6 - TB STANDARD COIL - SECTOR 6	46.3	Not inspected

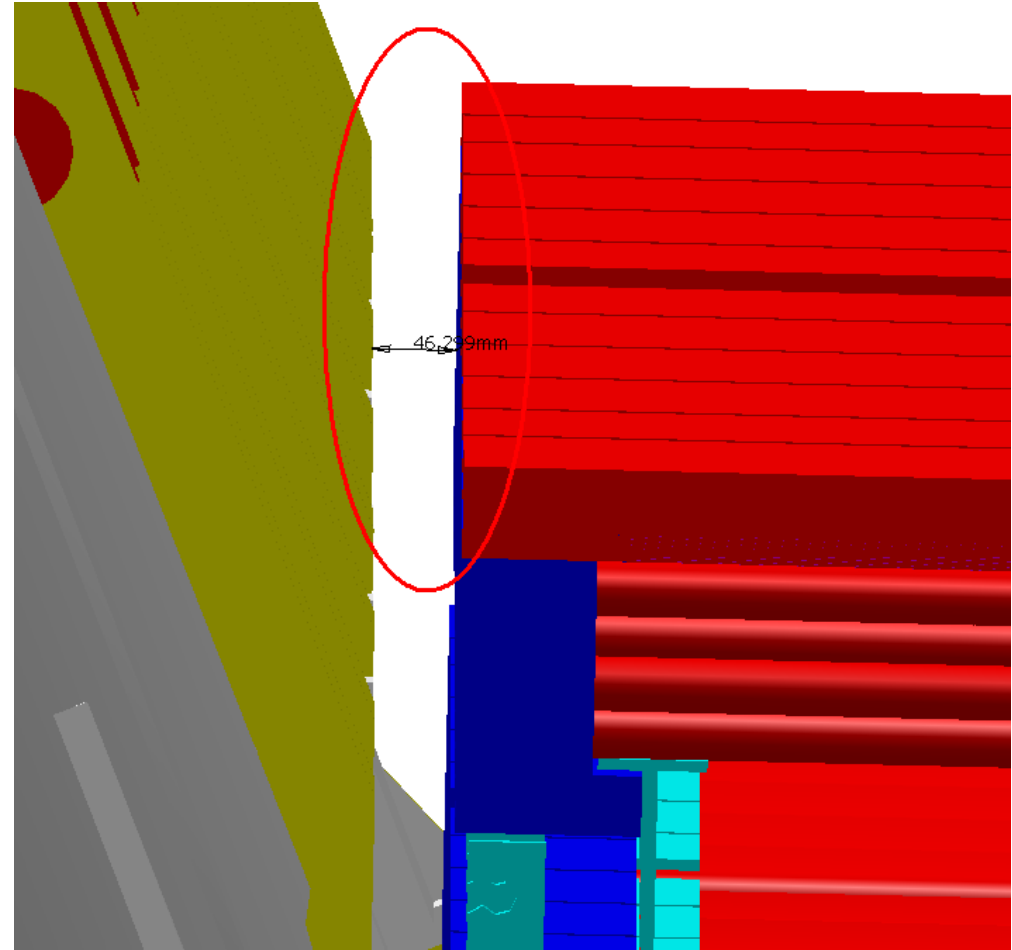
Computation Result:

* Unable to calculate value of the clearance on my PC

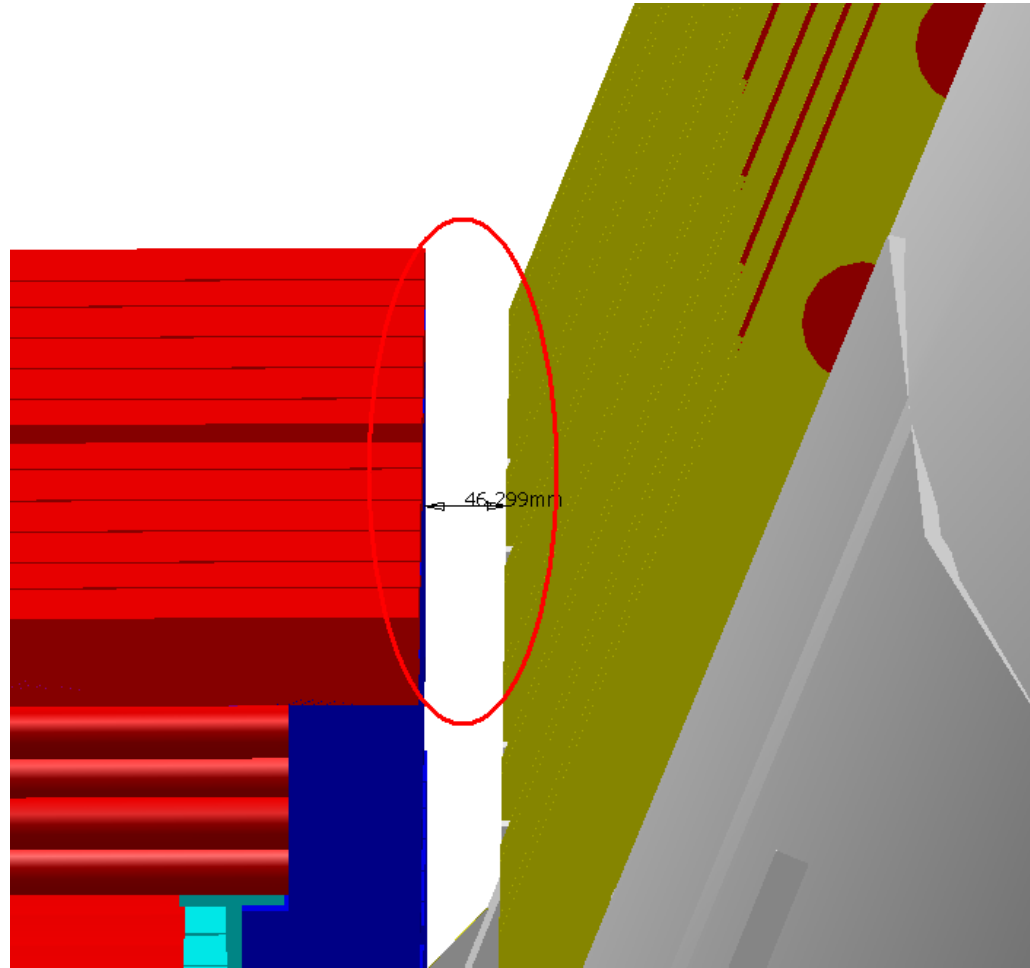
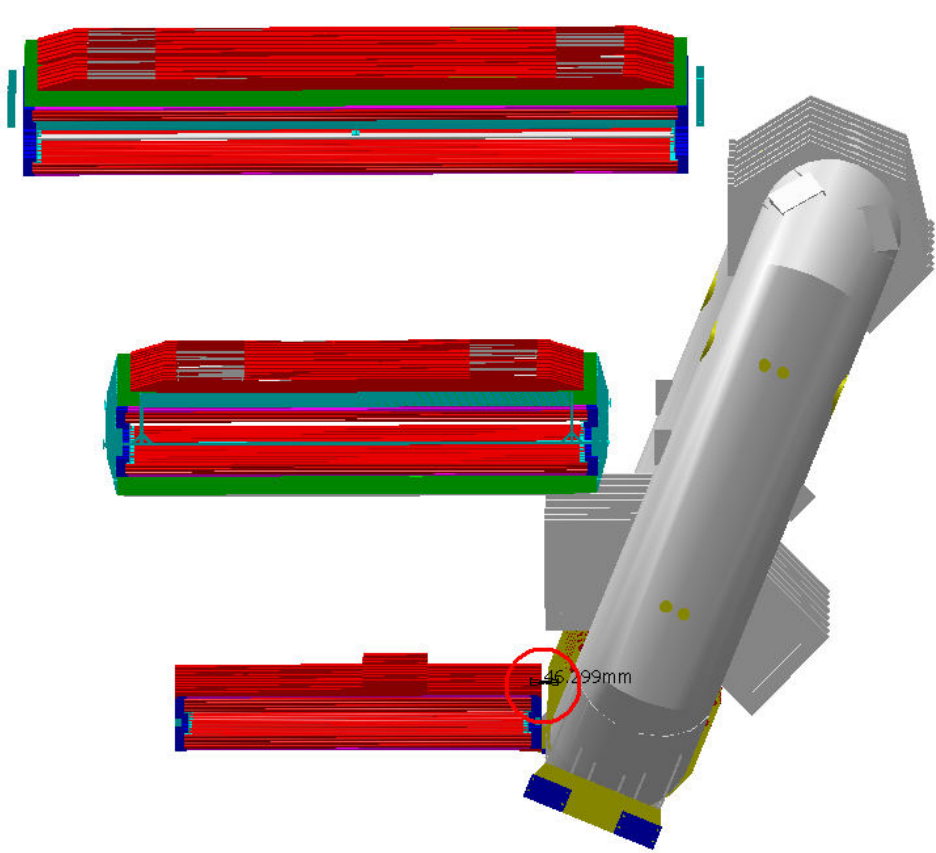
AT602156MQ - MUON BARREL CHAMBERS DETAILED, SECTOR 5	NTB_0001 BT4 - TB STANDARD COIL - SECTOR 4	Clearance	46.2991	Not inspected
---	---	-----------	---------	---------------



SIDE A-C
Sector 5



AT602156MQ - MUON BARREL CHAMBERS DETAILED, SECTOR 5	NTB_0001 BT6 - TB STANDARD COIL - SECTOR 6	Clearance	46.2991	Not inspected
---	---	-----------	---------	---------------



SIDE A-C

Sector 5