

Clearance Publish

Clearance = 50mm



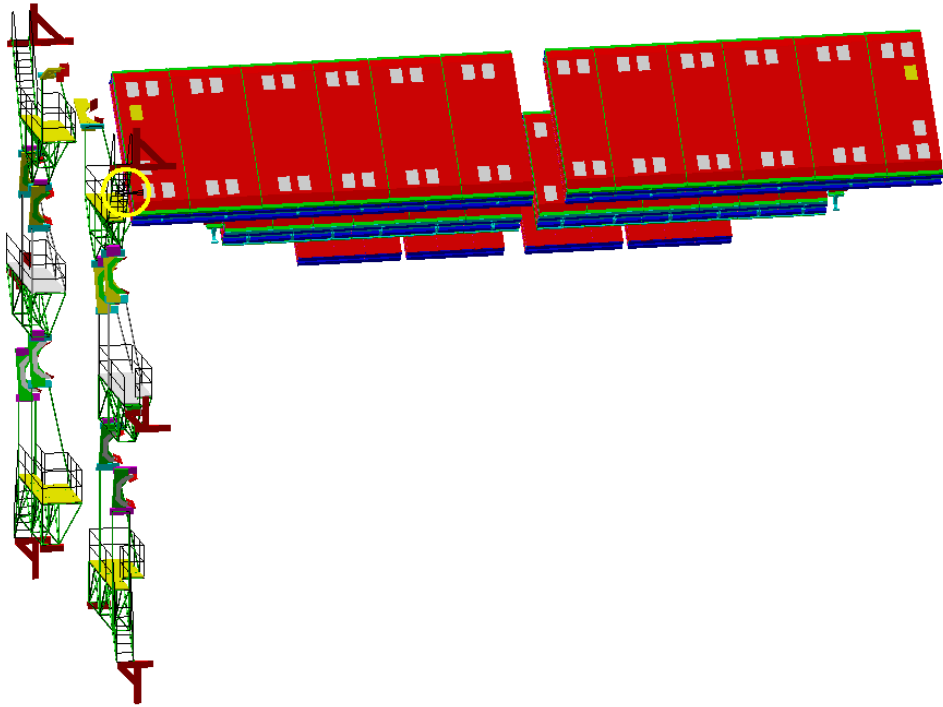
Clearance Computation Specification

Products Selected		Value	Status
AT602155MQ - MUON BARREL CHAMBERS DETAILED, SECTOR 3	NHX_0001 - SIMPLIFIED ACCESS PLATFORMS - END-CAP PART (SIDE A)	28.7	Not inspected
	AT602154MQ Sec.4 - MUON BARREL CHAMBERS DETAILED. SECTOR 4	40.7	Not inspected
	AT602154MQ - MUON BARREL CHAMBERS DETAILED. SECTOR 2	40.7	Not inspected
	ZTB__0002 - GLOBAL TB ENVELOPE (8 COILS) *	-	-
	NTB_0001 BT2 - TB STANDARD COIL - SECTOR 2	46.3	Not inspected
	NTB_0001 BT4 - TB STANDARD COIL - SECTOR 4	46.3	Not inspected

Computation Result:

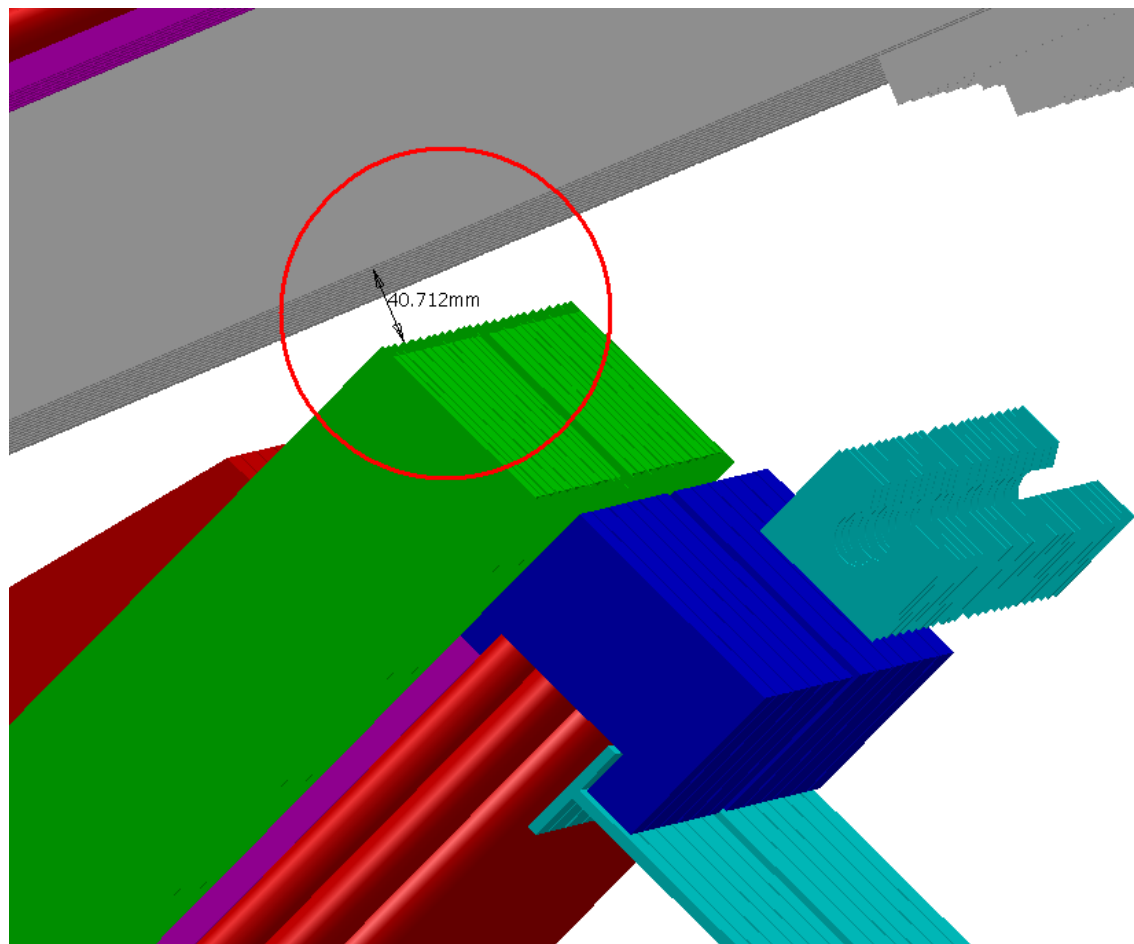
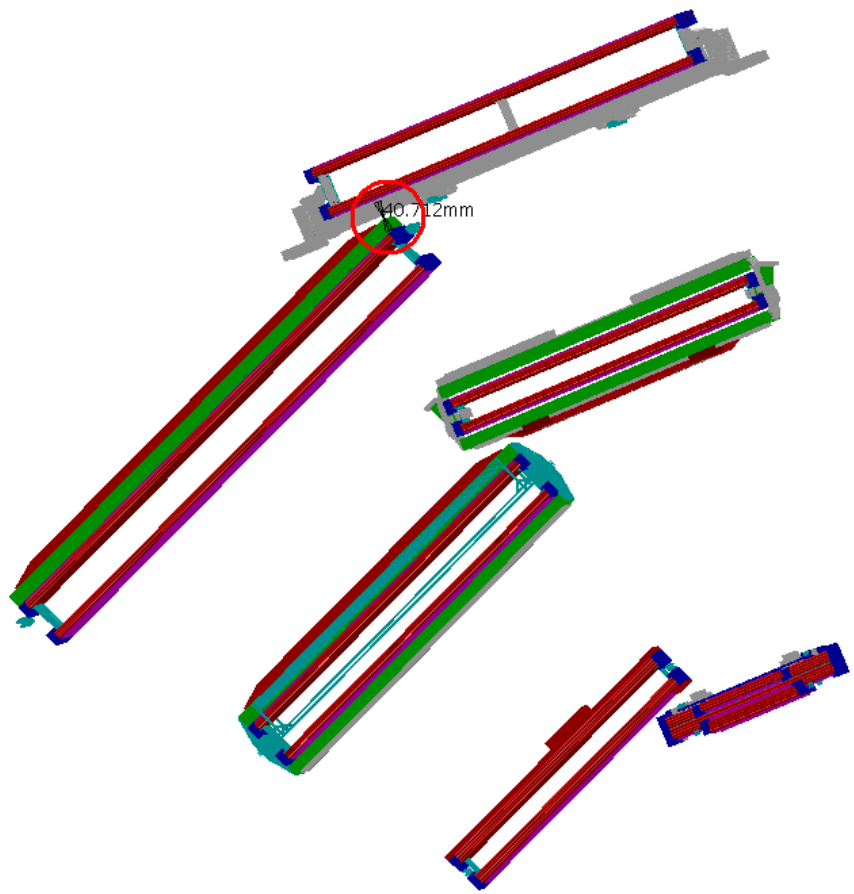
* Unable to calculate value of the clearance on my PC

AT602155MQ - MUON BARREL CHAMBERS DETAILED, SECTOR 3	NHX_0001 - SIMPLIFIED ACCESS PLATFORMS - END-CAP PART (SIDE A)	Clearance	28.7434	Not inspected
---	---	-----------	---------	---------------



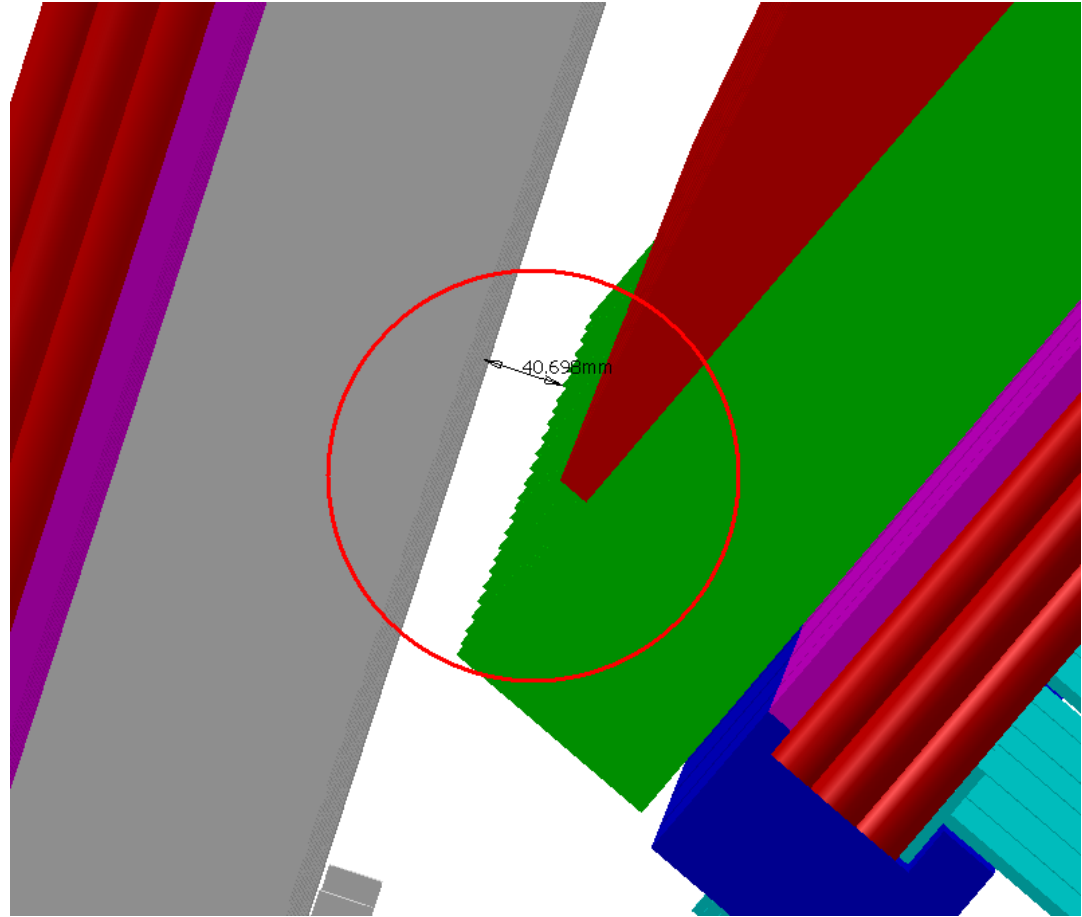
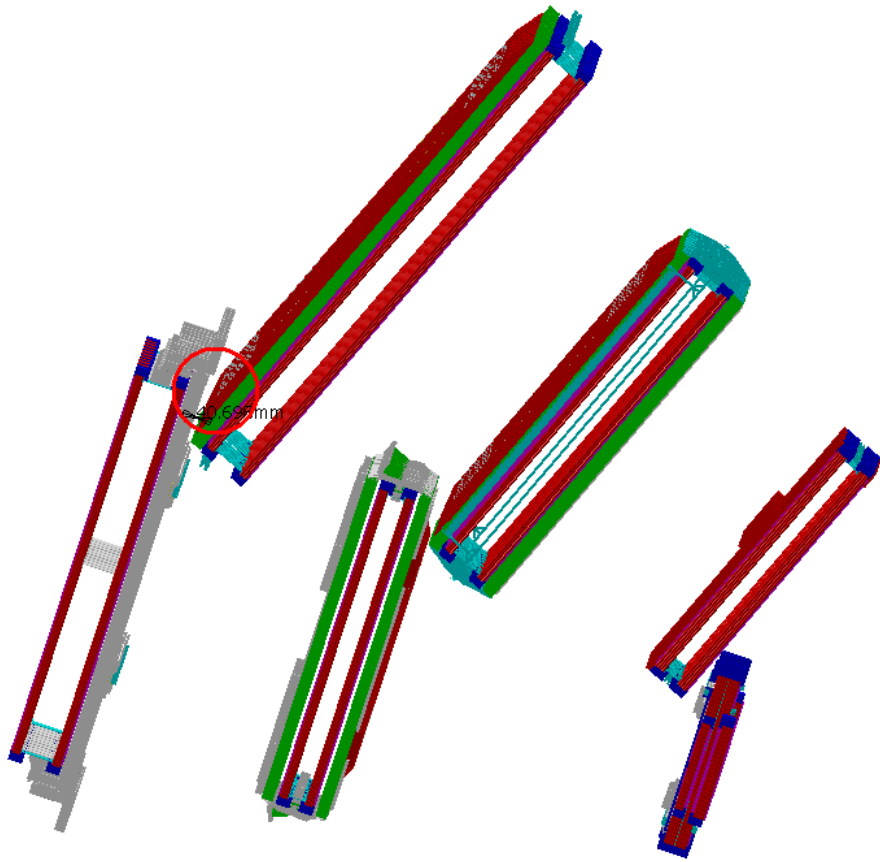
SIDE A
Sector 3

AT602155MQ - MUON BARREL CHAMBERS DETAILED, SECTOR 3	AT602154MQ Sec.4 - MUON BARREL CHAMBERS DETAILED. SECTOR 4	Clearance	40.7123	Not inspected
---	---	-----------	---------	---------------



SIDE A-C
Sector 3

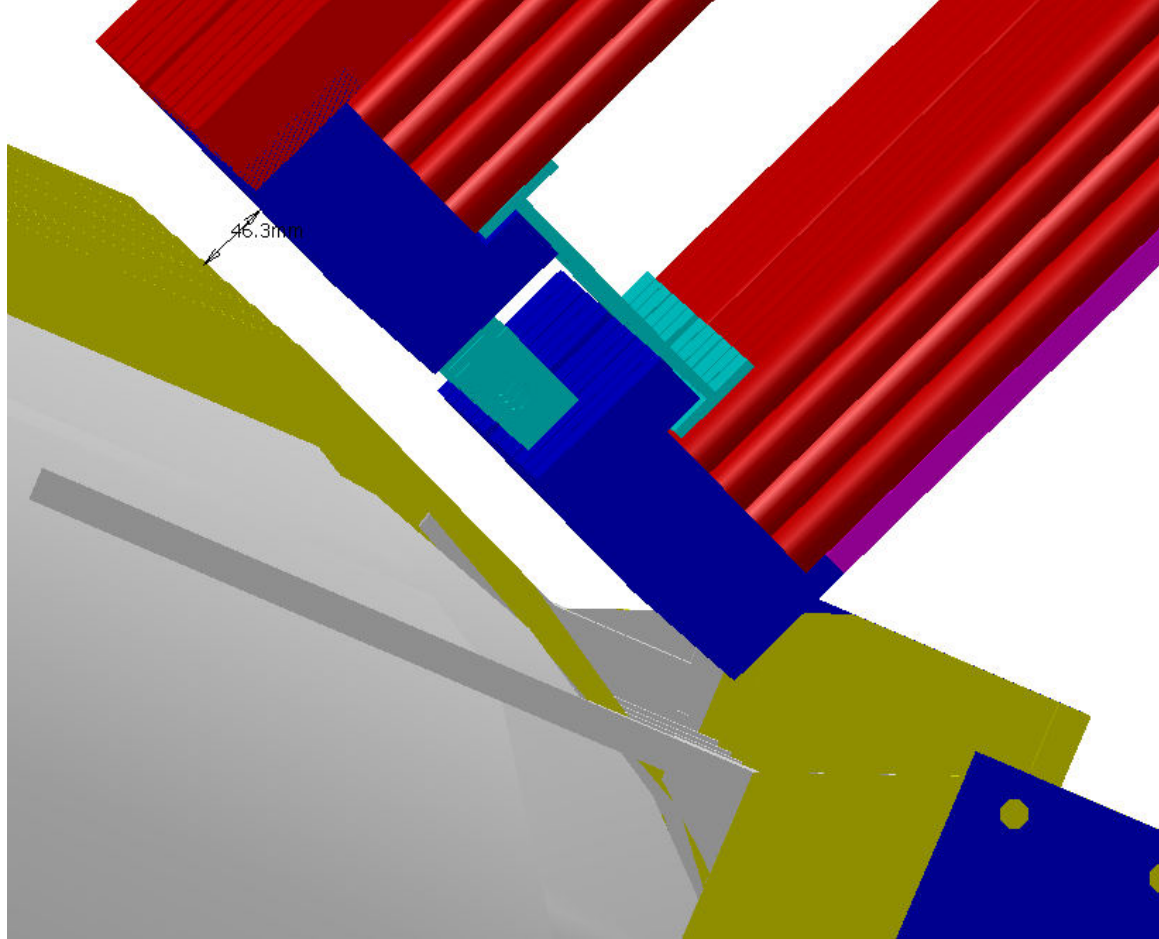
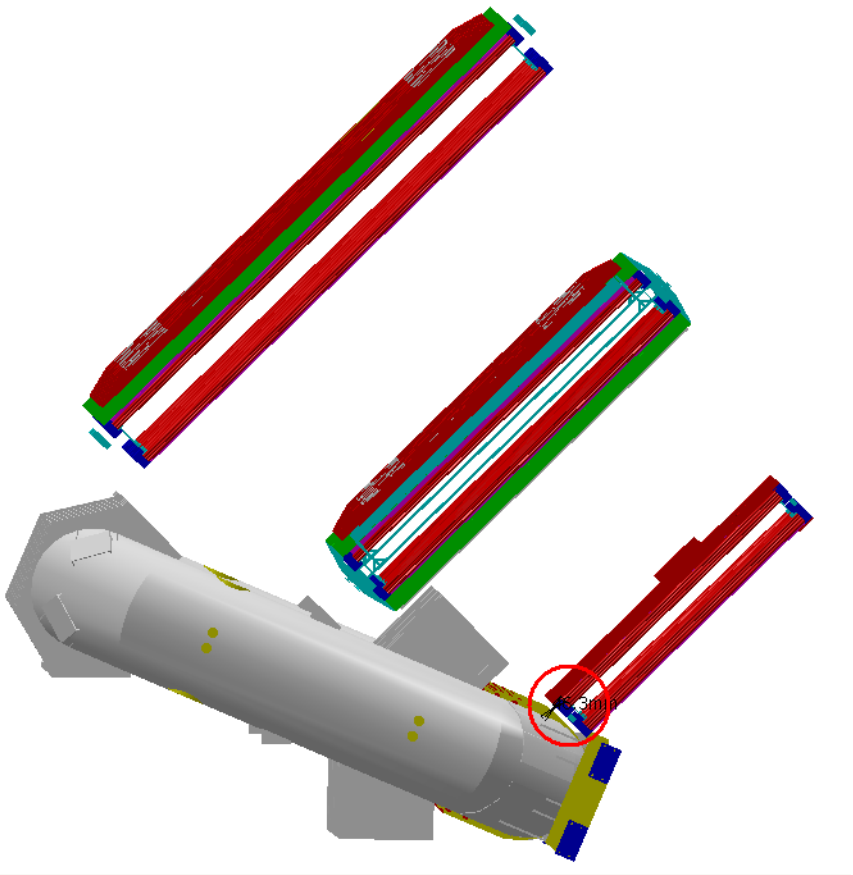
AT602155MQ - MUON BARREL CHAMBERS DETAILED, SECTOR 3	AT602154MQ - MUON BARREL CHAMBERS DETAILED. SECTOR 2	Clearance	40.6976	Not inspected
---	---	-----------	---------	---------------



SIDE A-C

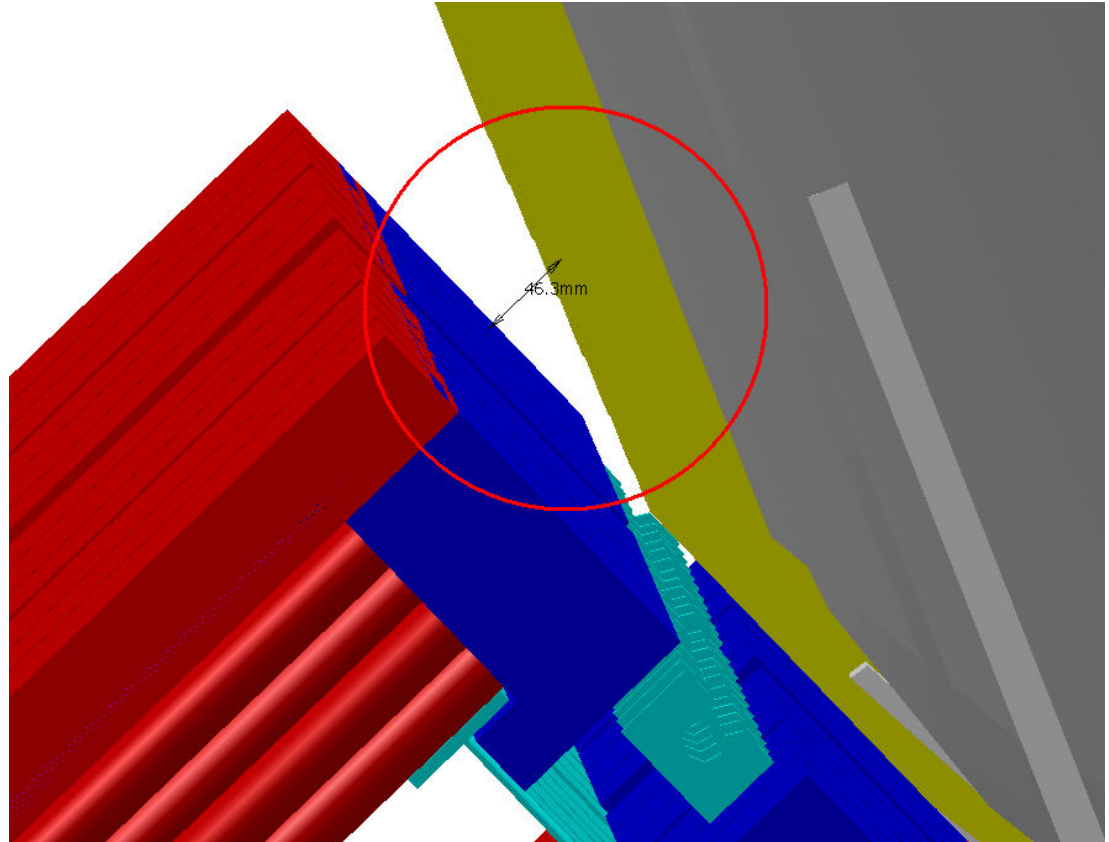
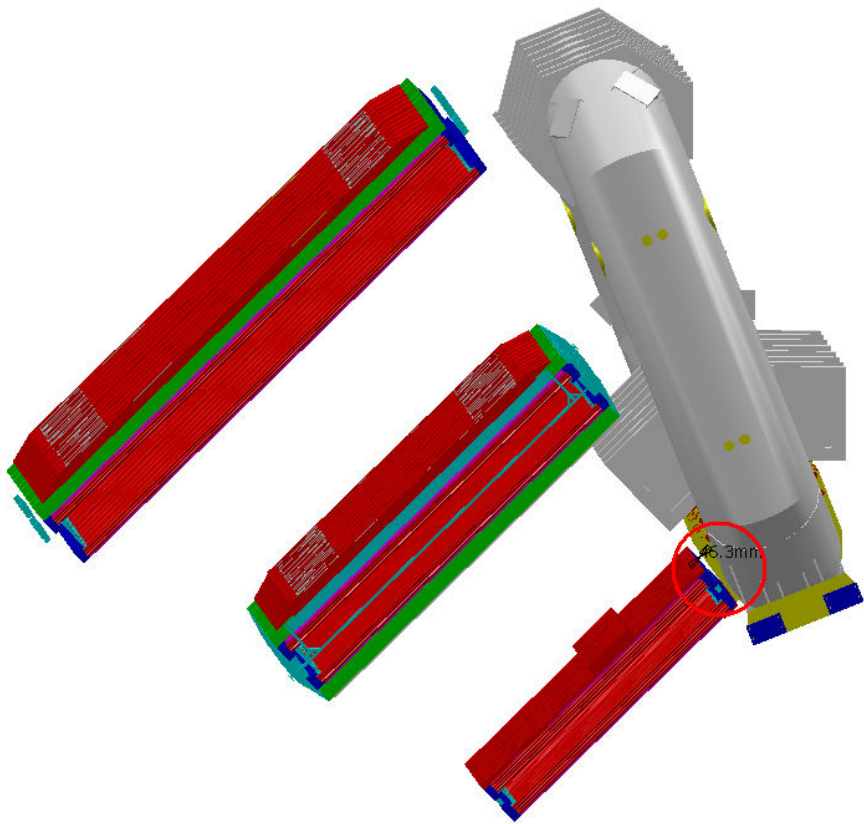
Sector 3

AT602155MQ - MUON BARREL CHAMBERS DETAILED, SECTOR 3	NTB_0001 BT2 - TB STANDARD COIL - SECTOR 2	Clearance	46.2997	Not inspected
---	---	-----------	---------	---------------



SIDE A-C
Sector 3

AT602155MQ - MUON BARREL CHAMBERS DETAILED, SECTOR 3	NTB_0001 BT4 - TB STANDARD COIL - SECTOR 4	Clearance	46.2998	Not inspected
---	---	-----------	---------	---------------



SIDE A-C

Sector 3