



## Clash Publish

Clash Computation Specification			
Products Selected		Value	Status
AT602155MQ - MUON BARREL CHAMBERS DETAILED, SECTOR 3	NMA_0002 - BARREL PROJECTIVE ALIGNMENT. - SIMPLE 3-D MODEL. SECTOR 3	-6.3	Not inspected
	NMA_0011 - SECTOR 02 SIDE C (A) - REFERENCE ALIGNMENT SYSTEM AND	-73.8	Not inspected
	NMA_0012 - SECTOR 04 SIDE C (A) - REFERENCE ALIGNMENT SYSTEM AND	-87.8	Not inspected

**Computation Result:**

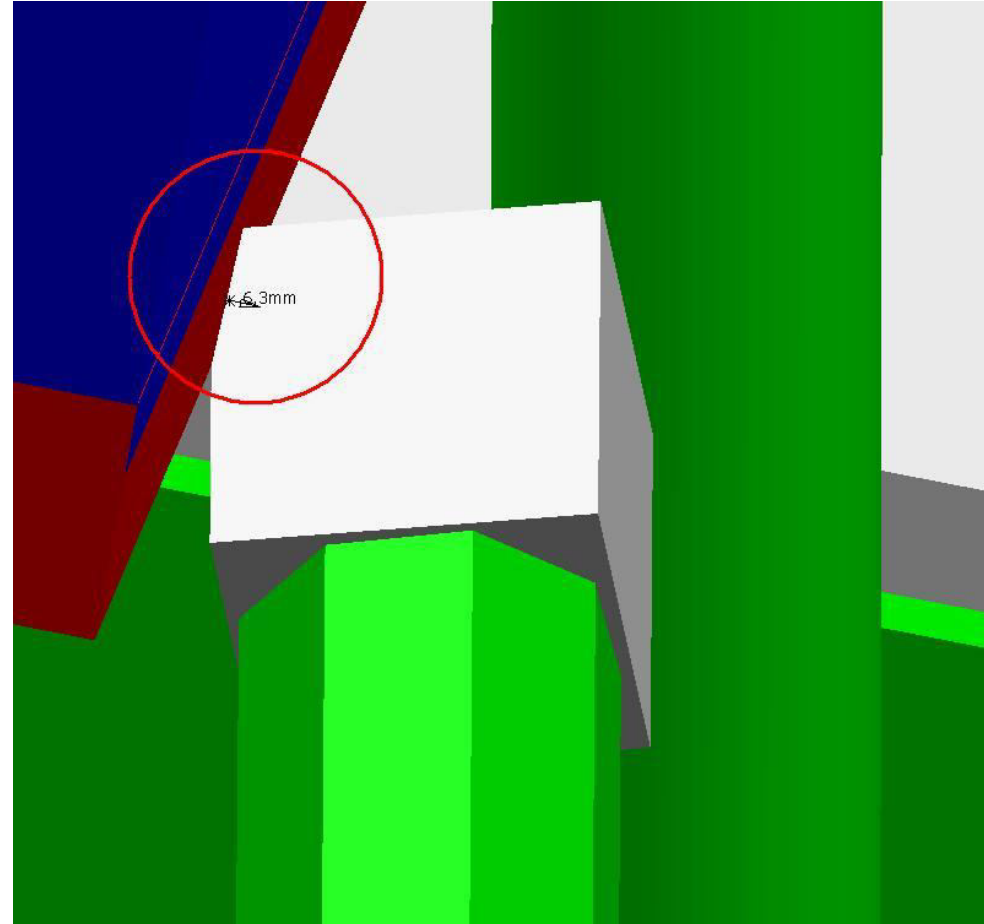
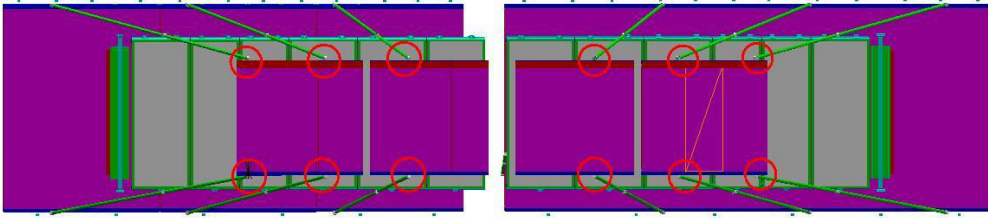
AT602155MQ - MUON BARREL  
CHAMBERS DETAILED, SECTOR 3

NMA\_0002 - BARREL PROJECTIVE ALIGNMENT. -  
SIMPLE 3-D MODEL. SECTOR 3

Clash

-6.2539

Not inspected

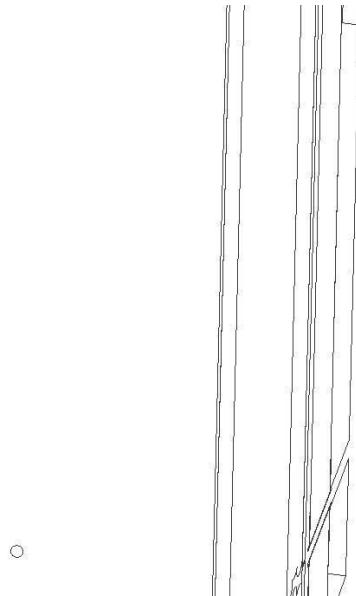
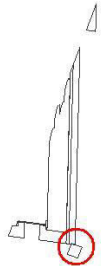
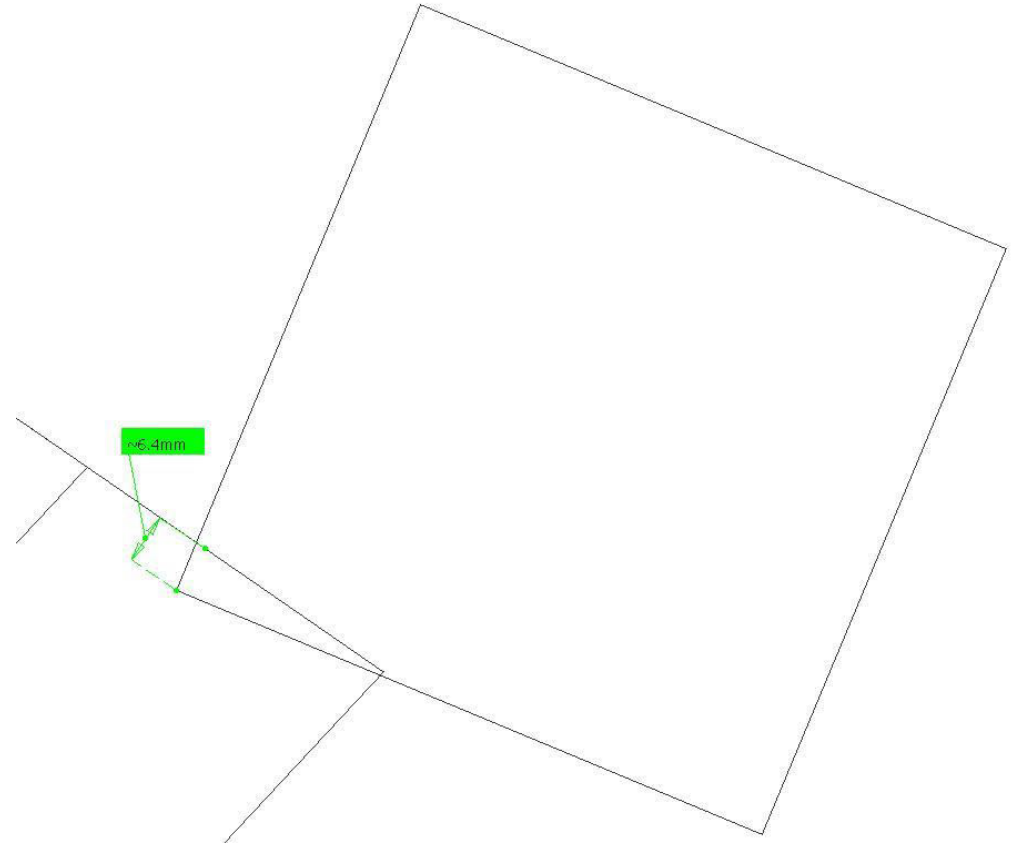
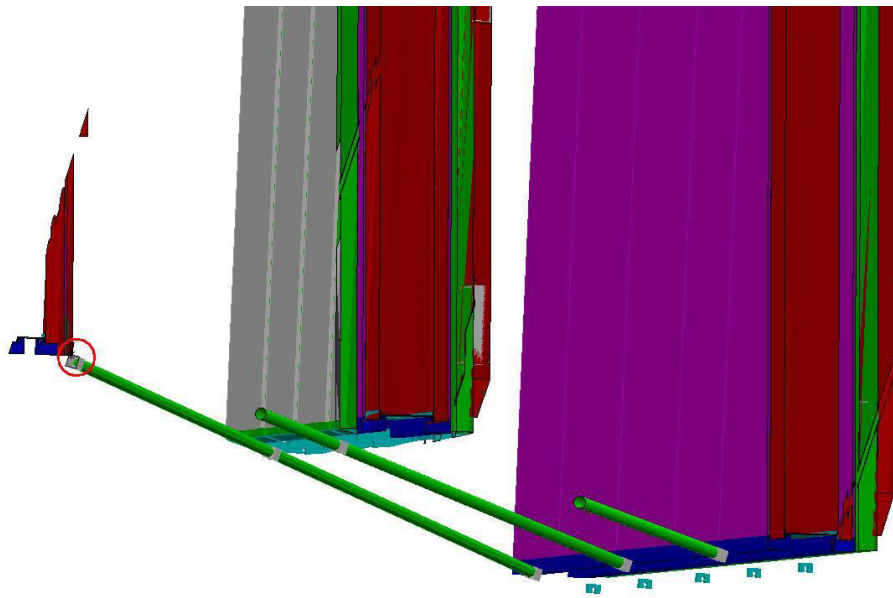


Clash value: ~ 6.3 mm

SIDE A-C

Sector 3

# Clash View:



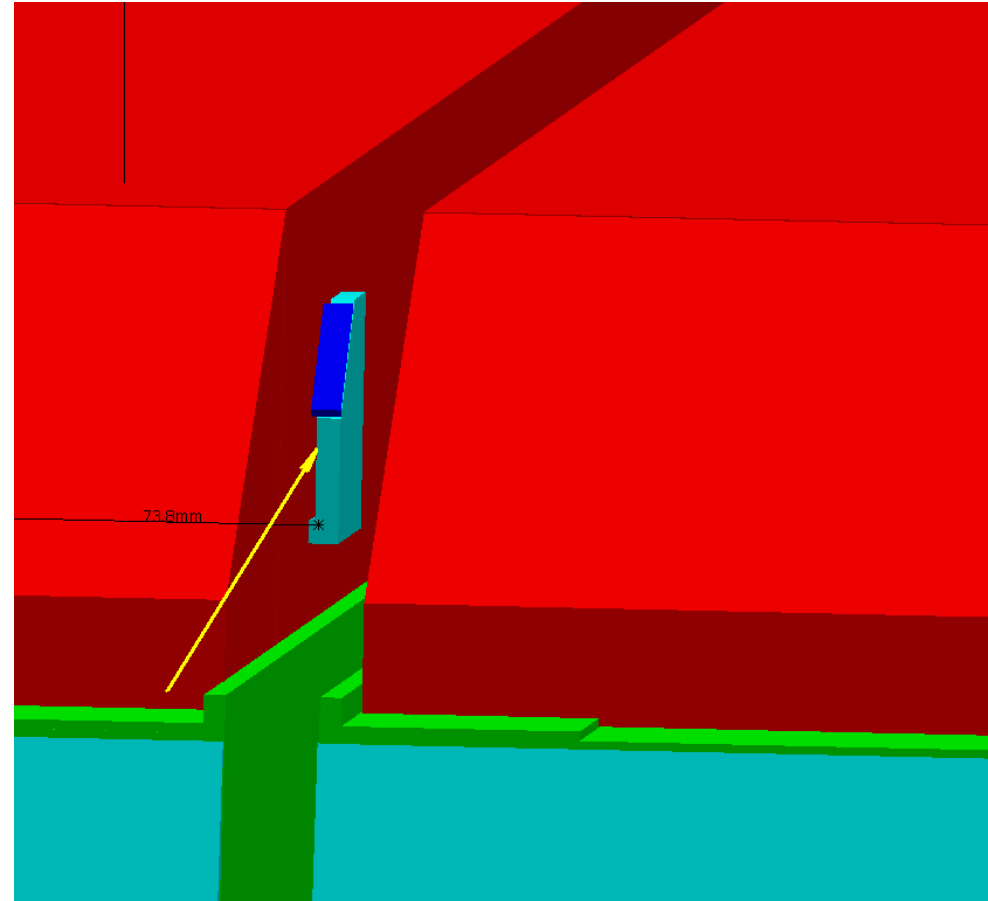
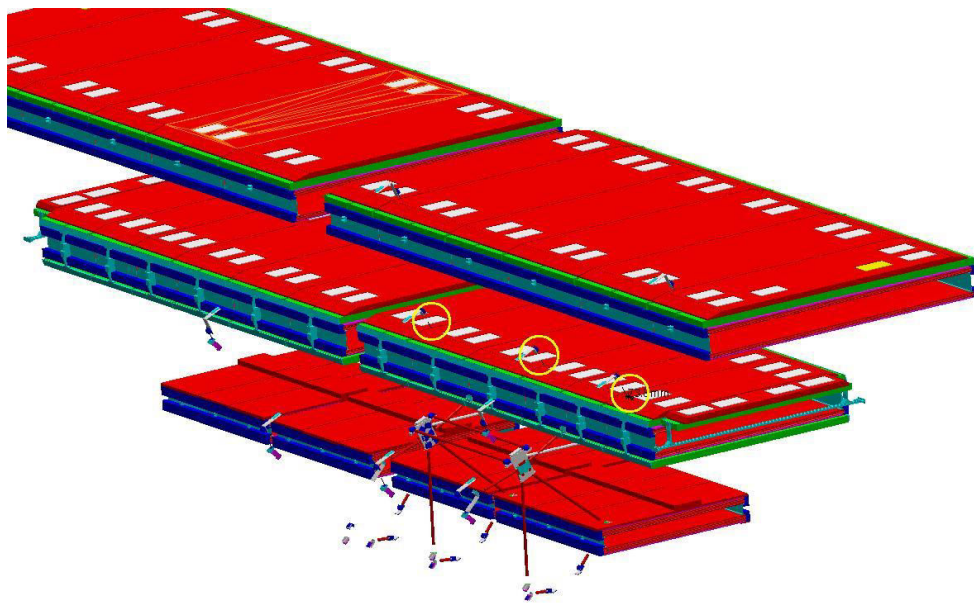
AT602155MQ - MUON BARREL  
CHAMBERS DETAILED, SECTOR 3

NMA\_0011 - SECTOR 02 SIDE C (A) - REFERENCE  
ALIGNMENT SYSTEM AND

Clash

-73.8059

Not inspected

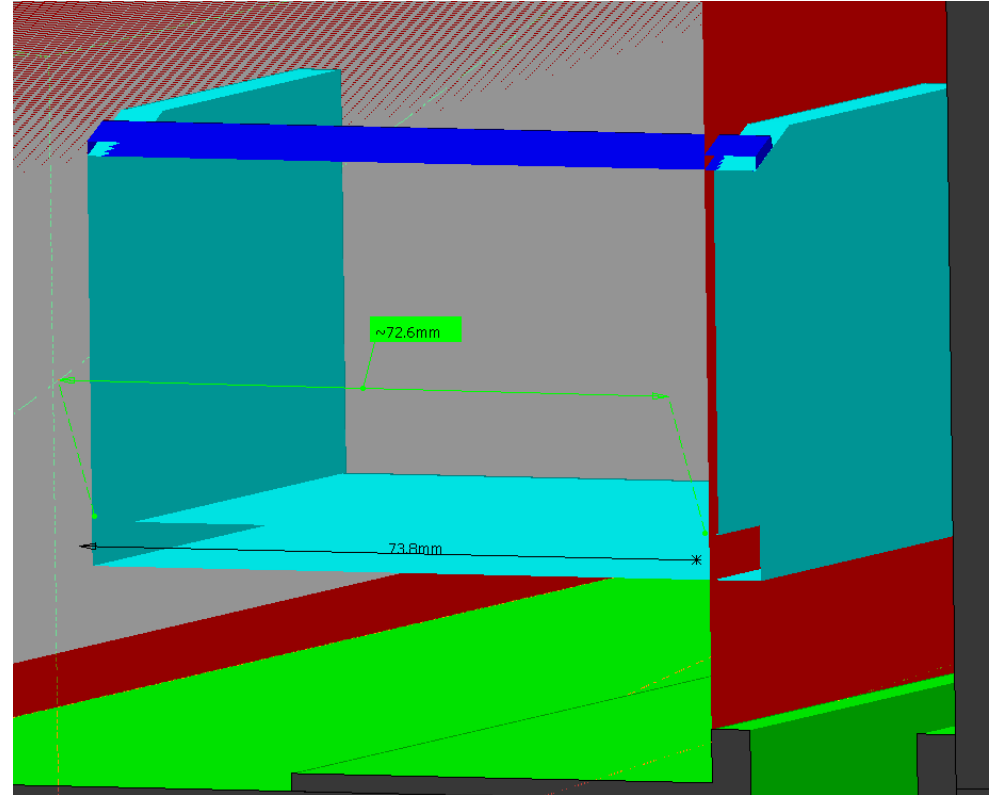
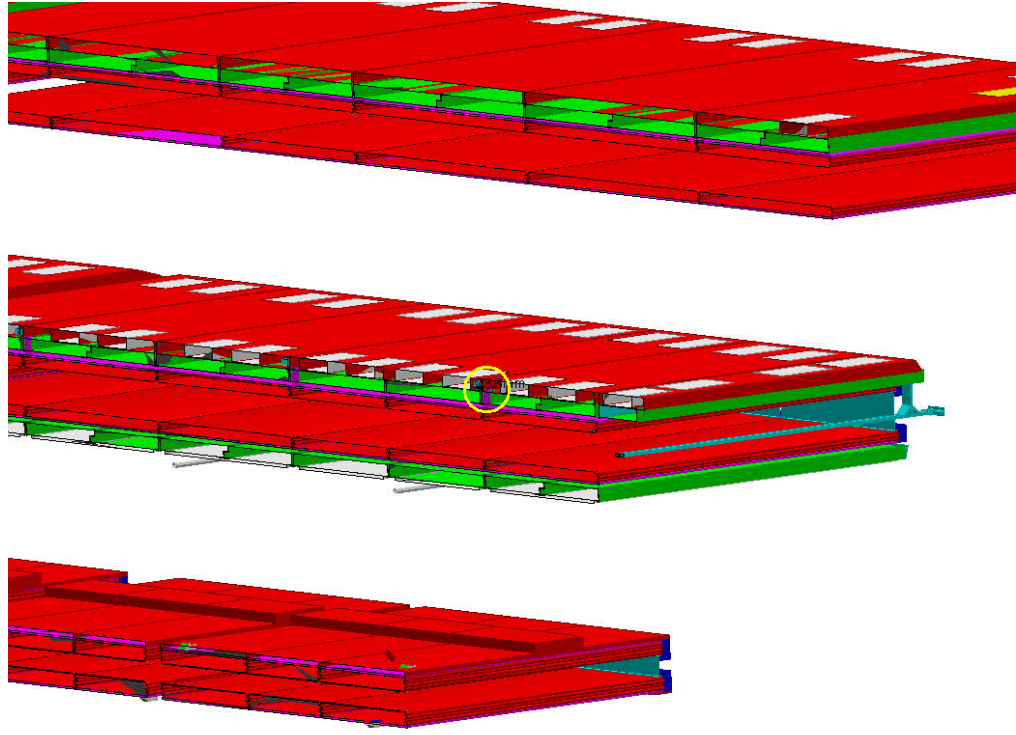


Clash value: ~ 73.8 mm

SIDE C

Sector 3

# Clash View:



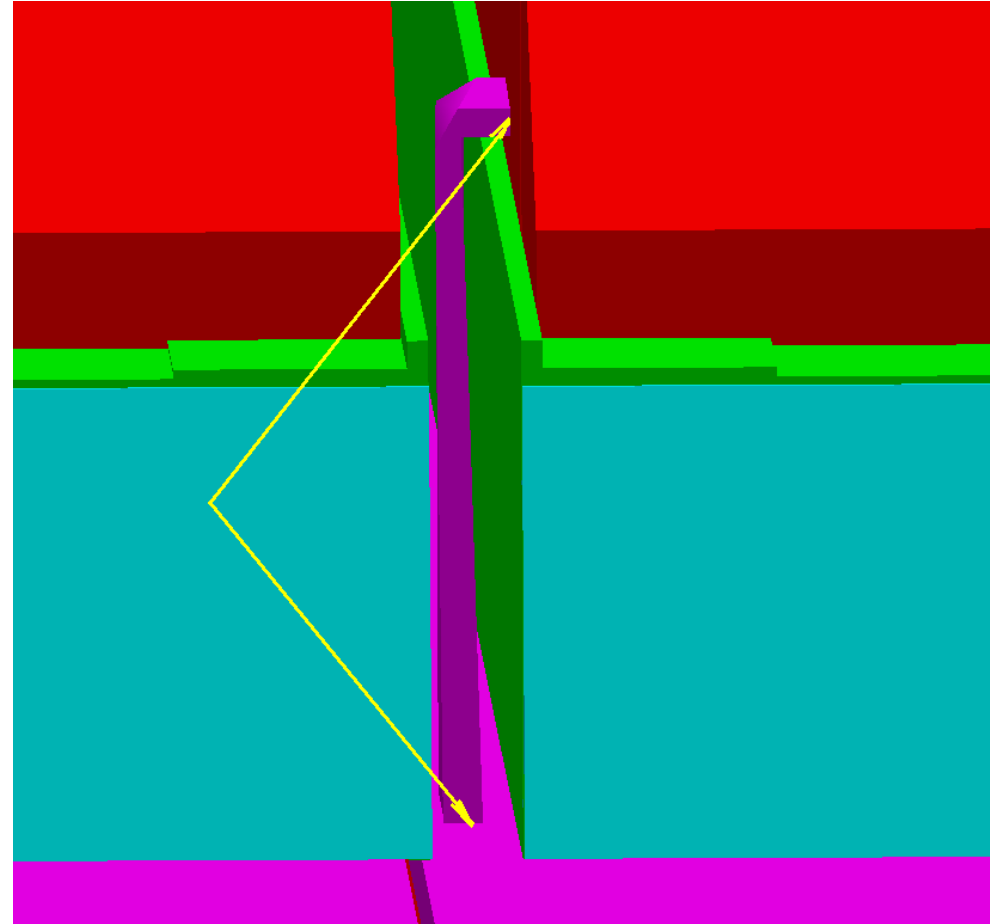
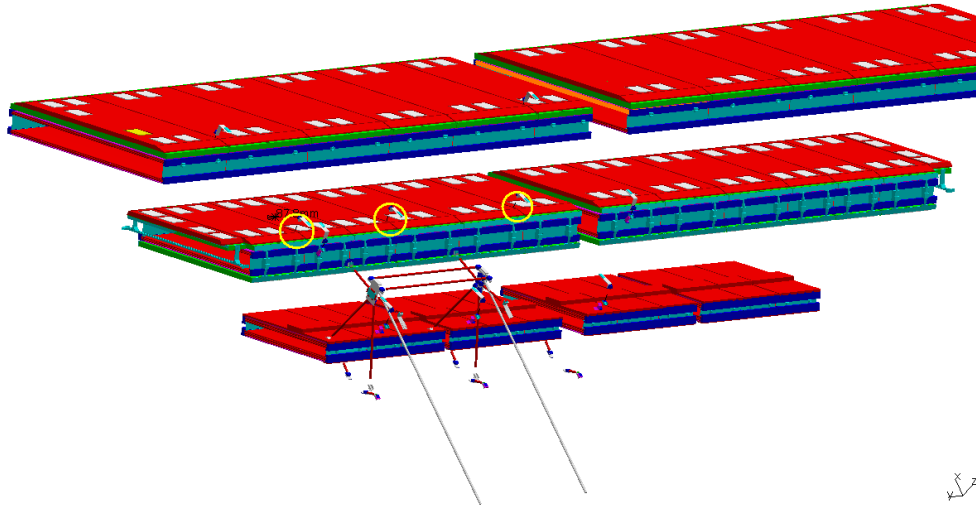
AT602155MQ - MUON BARREL  
CHAMBERS DETAILED, SECTOR 3

NMA\_0012 - SECTOR 04 SIDE C (A) - REFERENCE  
ALIGNMENT SYSTEM AND

Clash

-87.8114

Not inspected



Clash value: ~ 87.8 mm

SIDE C

Sector 3

# Clash View:

