

Clearance Publish

Clearance=50mm



Clearance Computation Specification

Products Selected

AT602154MQ MCB Muon Barrel Chambers Detailed Sec4	ATCNTB__0001 TB4 STANDARD COIL - SECTORS 4,	23.27	Not inspected
AT602154MQ MCB Muon Barrel Chambers Detailed Sec4	ATCNTB__0008 TB CRYORING TOP SECTORS - (1, 3, 5, 7, 9)	48.68	Not inspected
AT602154MQ MCB Muon Barrel Chambers Detailed Sec4	ATCNJ__0003 JD SHIELDING (SIDE C) - WITH TGC MUON CHAMBERS .	44.29	Not inspected
AT602154MQ MCB Muon Barrel Chambers Detailed Sec4	ATCNMC__0018 SMALL WHEEL (SIDE C) - SIMPLIFIED 3-D OBJECT	36.22	Not inspected
AT602154MQ MCB Muon Barrel Chambers Detailed Sec4	ATCNMS__0014 BT HEATER BOXES AND CABLES - FOR SEC 2,4,6,8,10	30.28	Not inspected
AT602154MQ MCB Muon Barrel Chambers Detailed Sec4	AT602155MQ- MCB Muon Barrel Chambers Detailed sector 3 Unable to check on my PC		
AT602154MQ MCB Muon Barrel Chambers Detailed Sec4	AT602156MQ- MCB Muon Barrel Chambers Detailed sector 5 Unable to check on my PC		

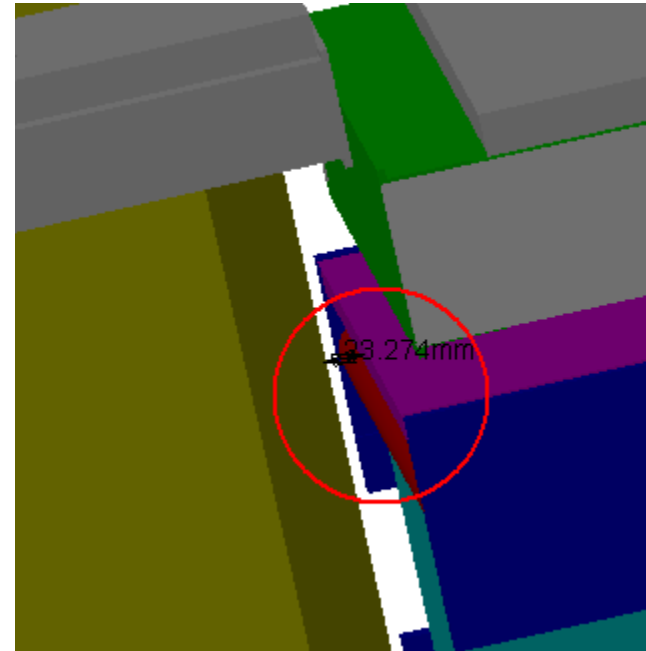
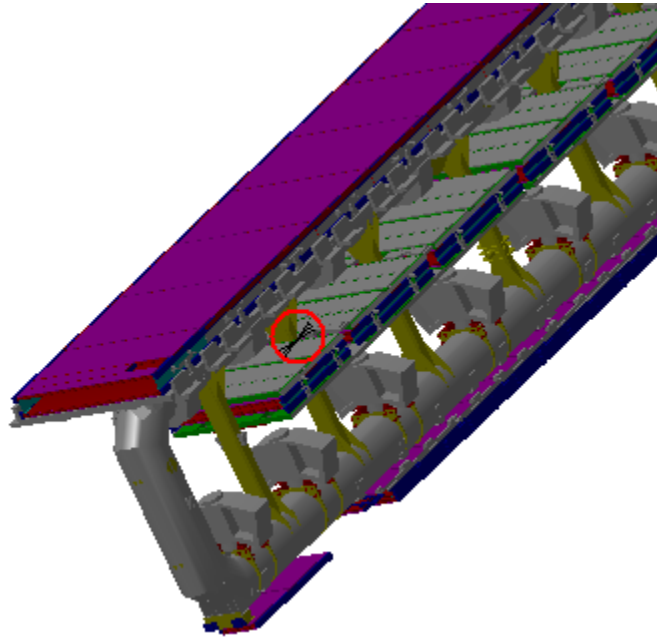
Computation Result:

AT602154MQ MCB Muon Barrel Chambers
Detailed Sec4

ATCNTB_0001 TB4 STANDARD
COIL - SECTORS 4,

Value=23.27mm

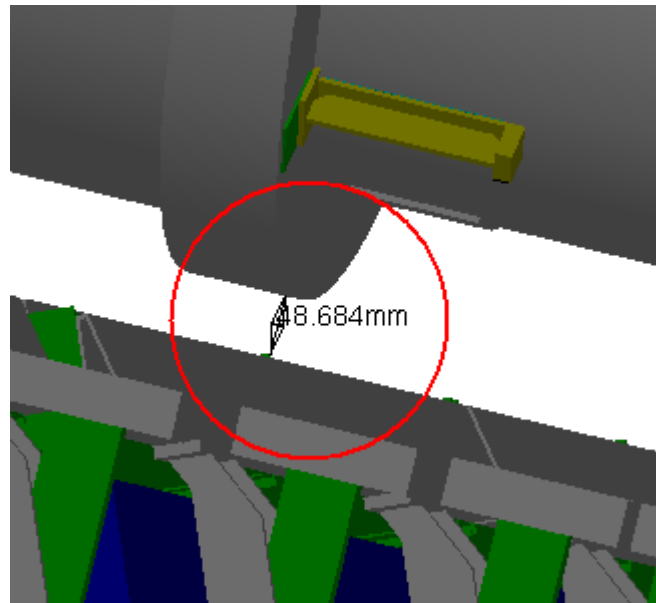
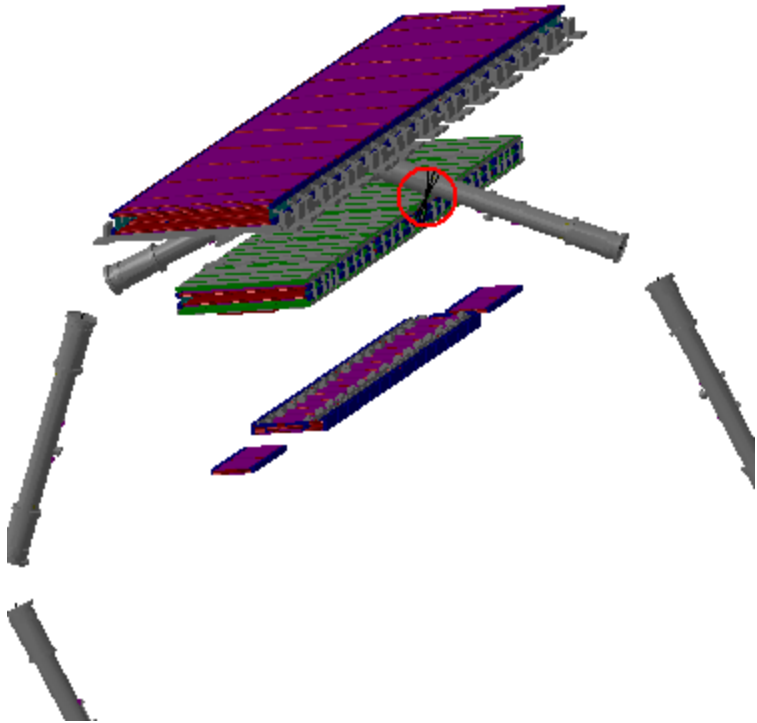
Not inspected



Side C

Sector 4

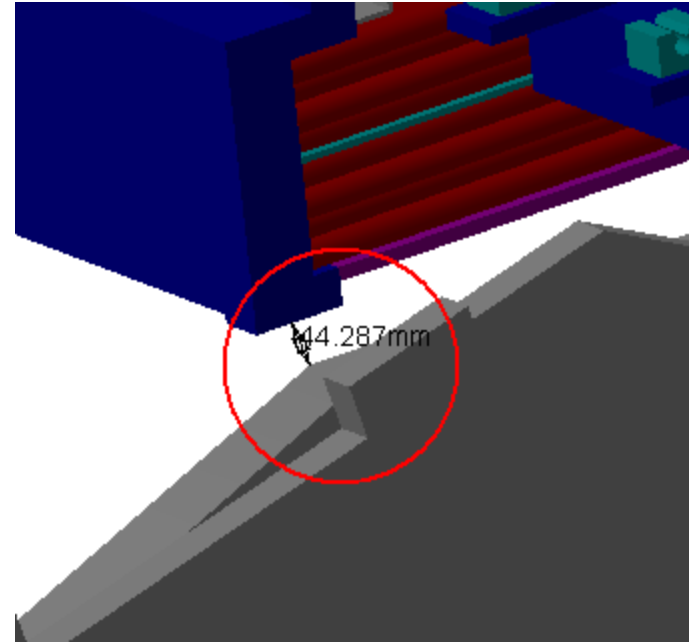
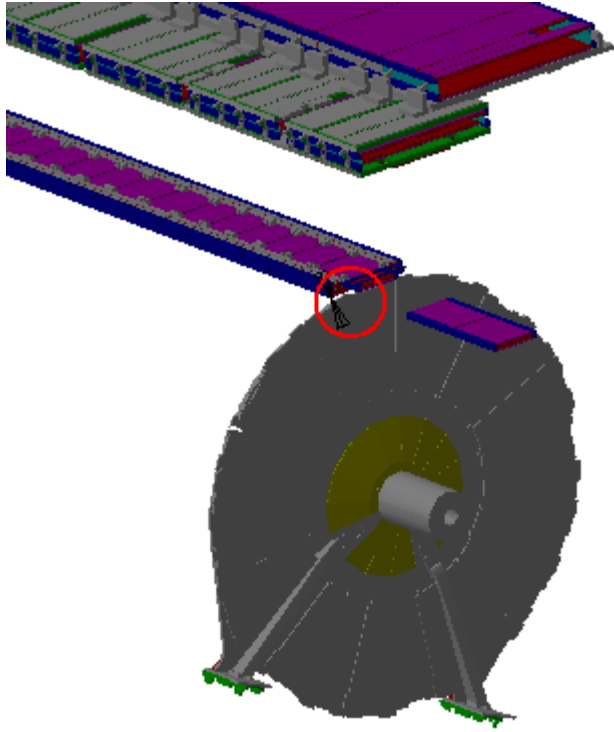
AT602154MQ MCB Muon Barrel Chambers Detailed Sec4	ATCNTB_0008 TB CRYORING TOP SECTORS - (1, 3, 5, 7, 9)	Value=48.68	Not inspected
--	--	-------------	---------------



Side C

Sector 3

AT602154MQ MCB Muon Barrel Chambers Detailed Sec4	ATCNJ__0003 JD SHIELDING (SIDE C) - WITH TGC MUON CHAMBERS .	Value=44.29mm	Not inspected
--	---	---------------	---------------



Side C

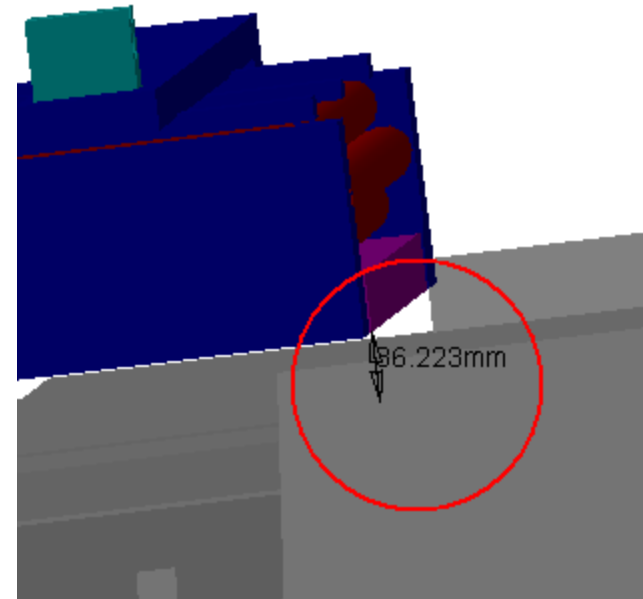
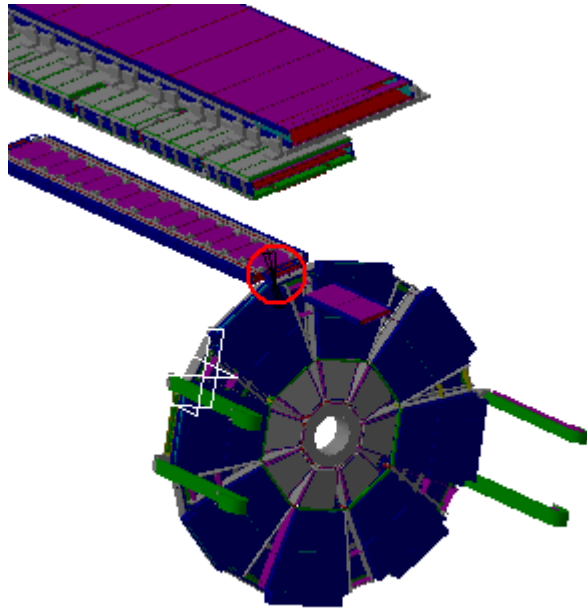
Sector 3

AT602154MQ MCB Muon Barrel Chambers
Detailed Sec4

ATCNMC_0018 SMALL WHEEL (SIDE C) -
SIMPLIFIED 3-D OBJECT

Value =36.22

Not inspected



Side C

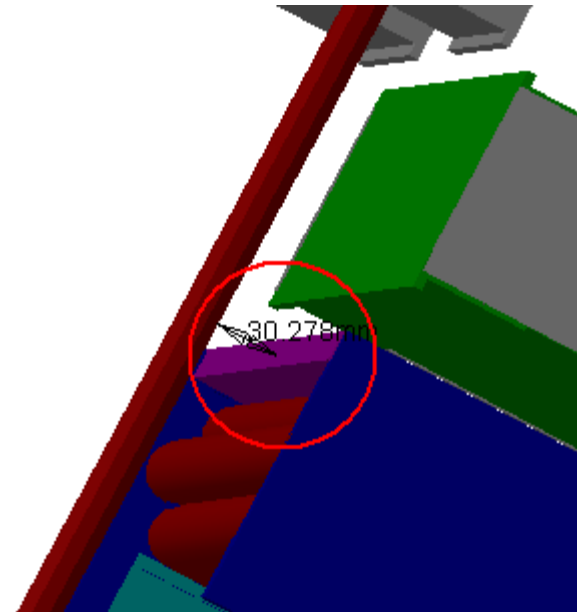
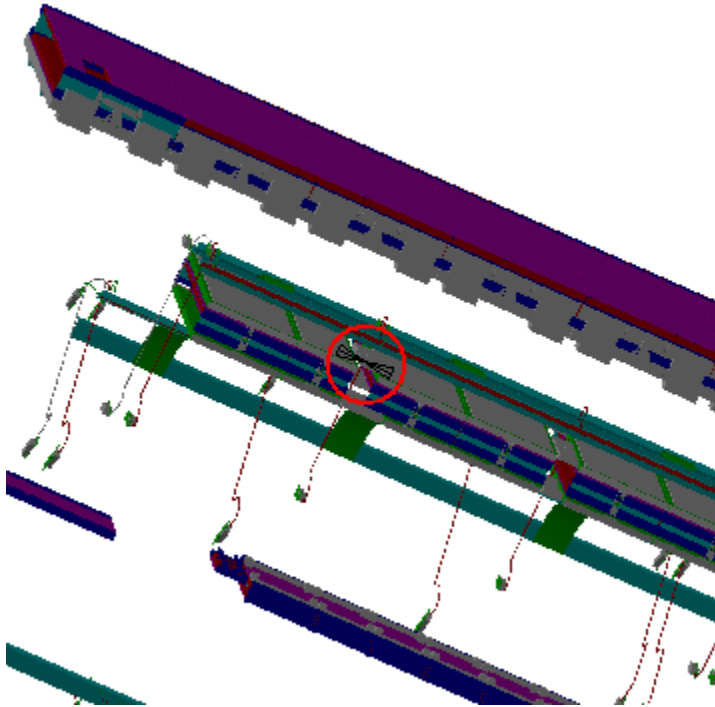
Sector 4

AT602154MQ MCB Muon Barrel Chambers
Detailed Sec4

ATCNMS__0014 BT HEATER BOXES AND
CABLES - FOR SEC 2,4,6,8,10

Value =30.28mm

Not inspected



Side C

Sector 4