



# Clash Publish

Clash Computation Specification			
Products Selected			
AT602154MQ MCB Muon Barrel Chambers Detailed Sec4	ATCZTB__0005 INDIVIDUAL TB ENVELOPE FEET - COIL(SECTORS 12,14)	-0.62	Not inspected
AT602154MQ MCB Muon Barrel Chambers Detailed Sec4	ATCZ5__0002 Z5 GLOBAL ENVELOPE (SIDE A) - AND LOCATION INTERFACES	-123.67	Not inspected
AT602154MQ MCB Muon Barrel Chambers Detailed Sec4	ATCZ5__0001 Z5 GLOBAL ENVELOPE (SIDE C) - AND LOCATION INTERFACES (under construction )		
AT602154MQ MCB Muon Barrel Chambers Detailed Sec4	ATCNMA__0002 BARREL PROJECTIVE ALIGNMENT. - SIMPLE 3-D MODEL. SECTOR 3.	-1.95	Not inspected
AT602154MQ MCB Muon Barrel Chambers Detailed Sec4	ATCNMA__0003 BARREL PROJECTIVE ALIGNMENT. - SIMPLE 3-D MODEL. SECTOR 5	-1.95	Not inspected
AT602154MQ MCB Muon Barrel Chambers Detailed Sec4	ATCNMA__0009 END CAP ALIGNMENT SIDE "A". - SIMPLE 3-D MODEL.	-732.01	Not inspected
AT602154MQ MCB Muon Barrel Chambers Detailed Sec4	ATCNMA__0010 END CAP ALIGNMENT SIDE "C" - SIMPLE 3-D MODEL.	-735.38	Not inspected
AT602154MQ MCB Muon Barrel Chambers Detailed Sec4	ATCNMA__0012 SECTOR 04 SIDE C (A) - REFERENCE ALIGNMENT SYSTEM AND	-146.12	Not inspected

**Computation Result:**

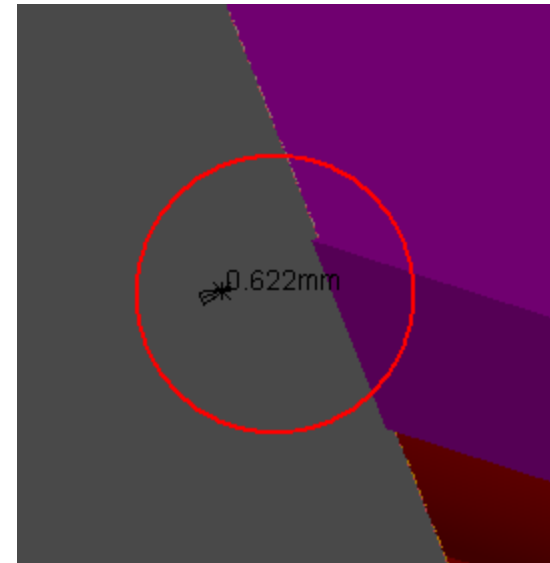
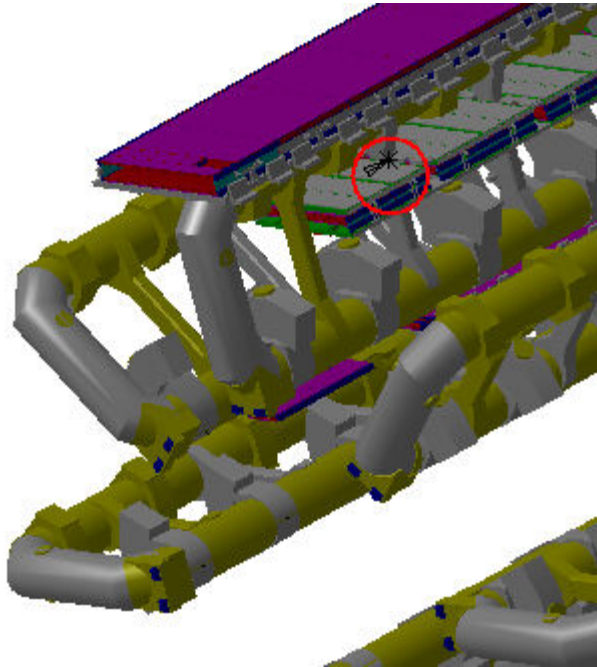


# Clash Publish

Clash Computation Specification	
Products Selected	
AT602154MQ MCB Muon Barrel Chambers Detailed Sec4	ATCZTB__0005 INDIVIDUAL TB ENVELOPE FEET - COIL(SECTORS 12,14)

**Computation Result:**

AT602154MQ	ATCZTB__0005	Clash	--0.62	Not inspected
------------	--------------	-------	--------	---------------

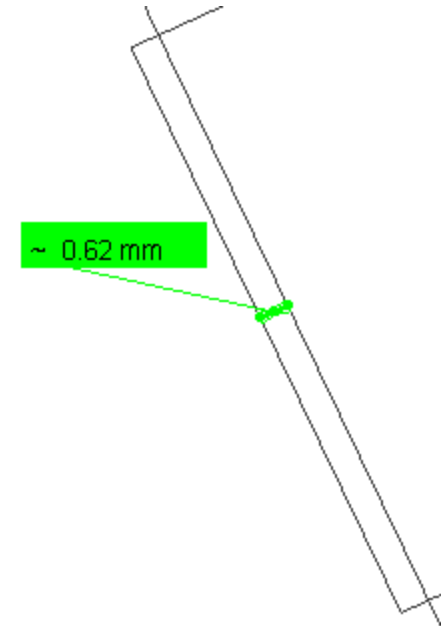
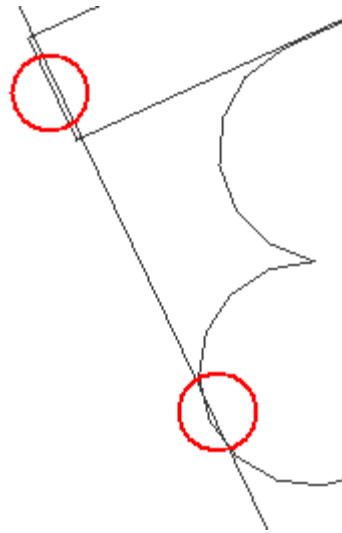
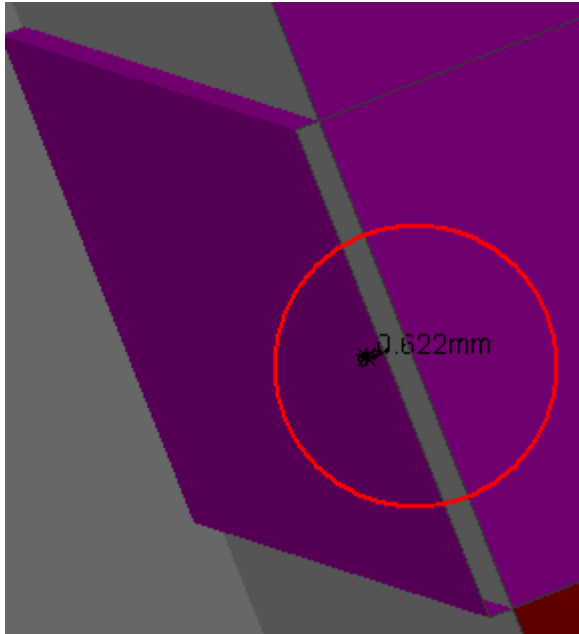


Clash=-0.62

Side C

Sector 4

# Clash View 1:



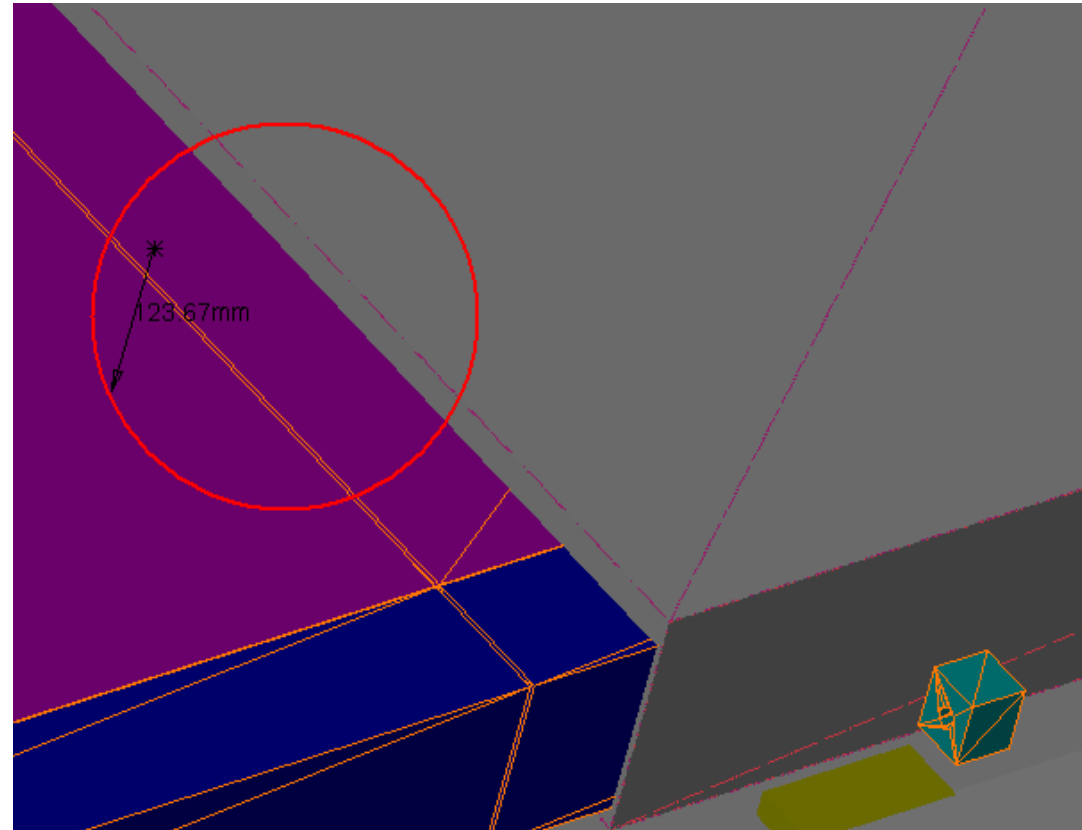
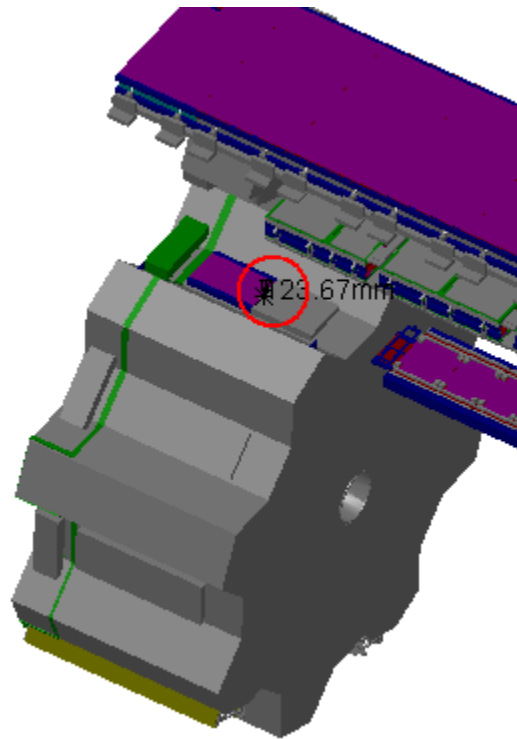


# Clash Publish

Clash Computation Specification	
Products Selected	
AT602154MQ MCB Muon Barrel Chambers Detailed Sec4	ATCZ5__0002 Z5 GLOBAL ENVELOPE (SIDE A) - AND LOCATION INTERFACES

**Computation Result:**

AT602154MQ	ATCZ5__0002	Clash	-123.67mm	Not inspected
------------	-------------	-------	-----------	---------------



Clash= -123.67mm

Side A

Sector 4

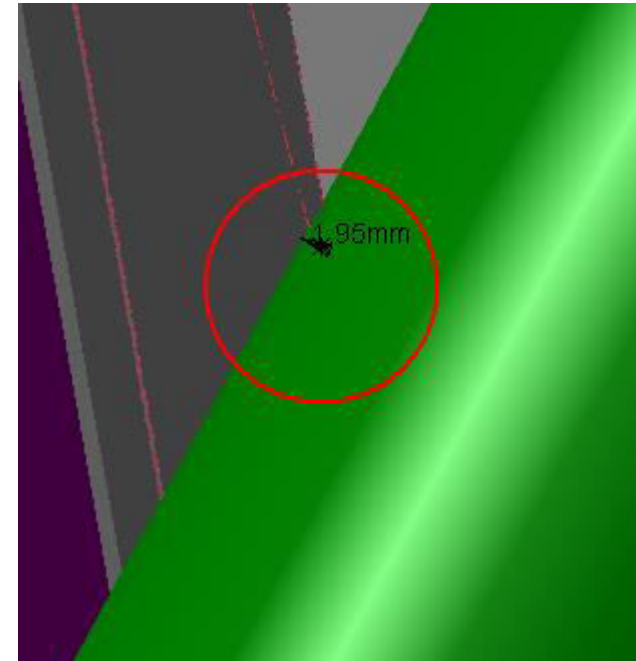
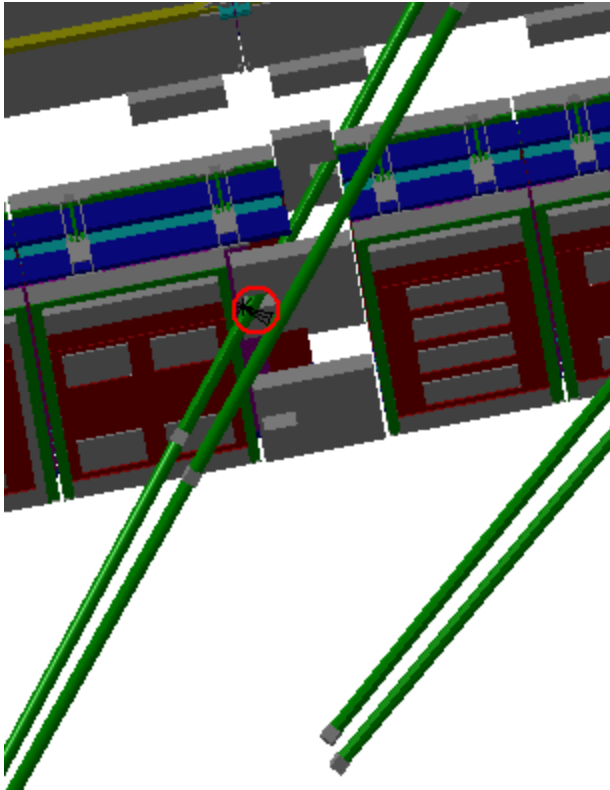


# Clash Publish

Clash Computation Specification	
Products Selected	
AT602154MQ MCB Muon Barrel Chambers Detailed Sec4	ATCNMA__0002 BARREL PROJECTIVE ALIGNMENT. - SIMPLE 3-D MODEL. SECTOR 3.

**Computation Result:**

AT602154M	ATCNMA_0002	Clash	-1.95mm	Not inspected
-----------	-------------	-------	---------	---------------



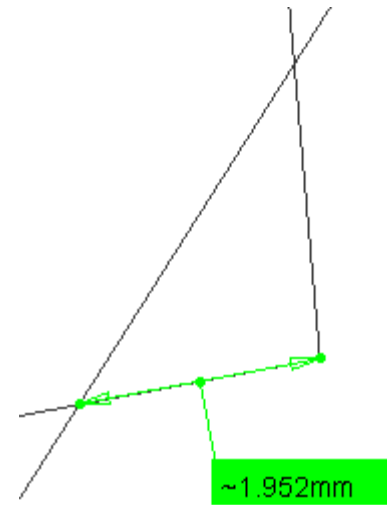
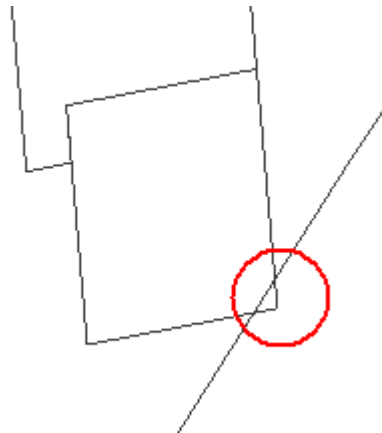
Clash=-1.95mm

Side C

Sector 3



# Clash View 1:



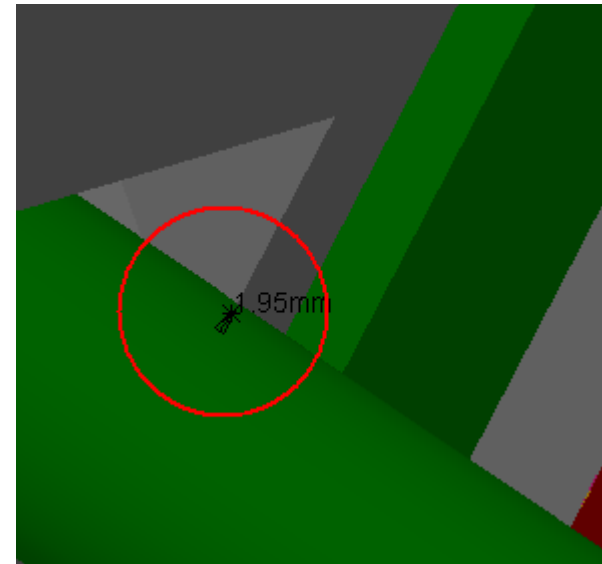
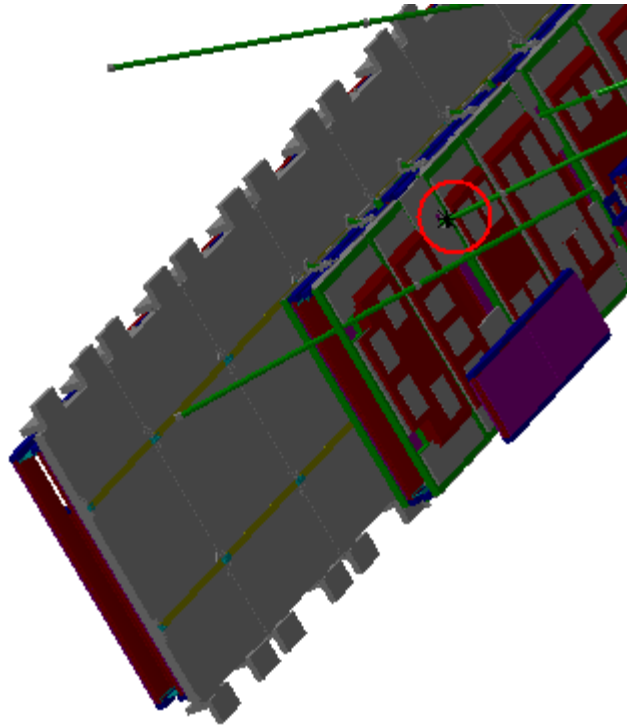


# Clash Publish

Clash Computation Specification	
Products Selected	
AT602154MQ MCB Muon Barrel Chambers Detailed Sec4	ATCNMA__0003 BARREL PROJECTIVE ALIGNMENT. - SIMPLE 3-D MODEL. SECTOR 5

**Computation Result:**

AT602154MQ	ATCNMA_0003	Clash	-1.95mm	Not inspected
------------	-------------	-------	---------	---------------

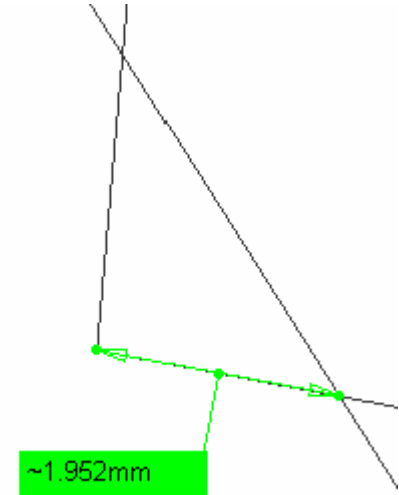
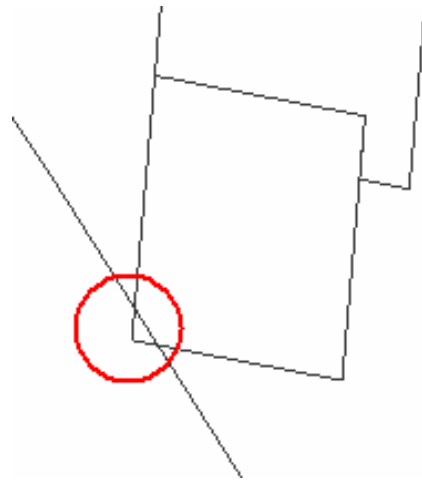
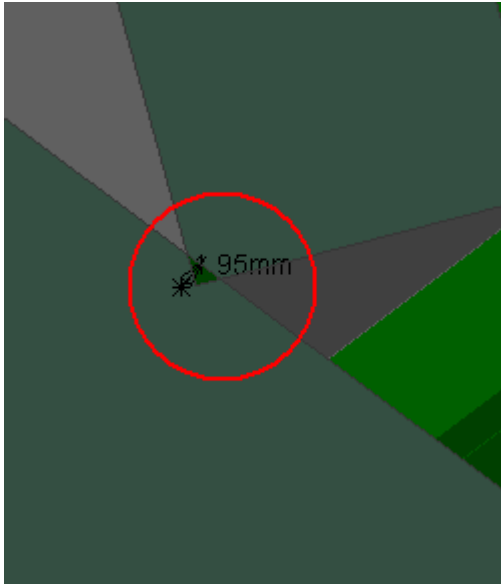


Clash=-1.95mm

Side C

Sector 5

# Clash View 1:



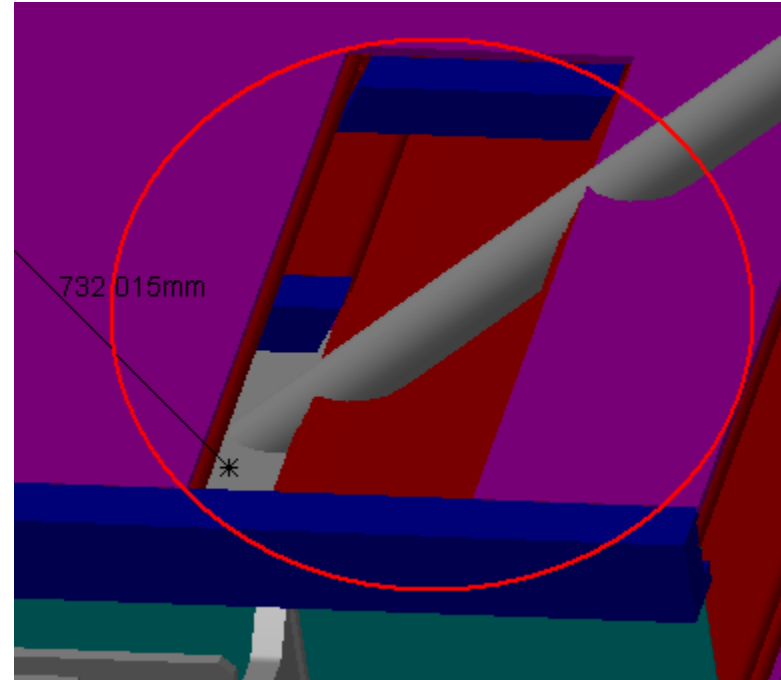
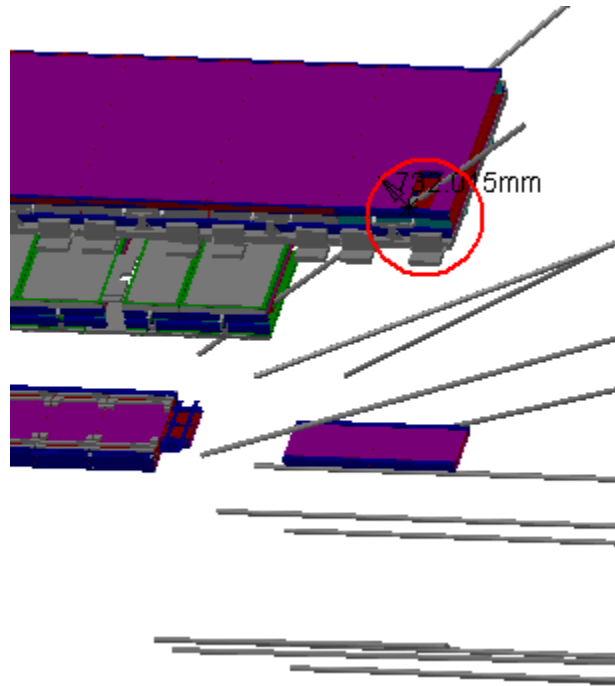


# Clash Publish

Clash Computation Specification	
Products Selected	
AT602154MQ MCB Muon Barrel Chambers Detailed Sec4	ATCNMA__0009 END CAP ALIGNMENT SIDE "A". - SIMPLE 3-D MODEL.

**Computation Result:**

AT602154MQ	ATCNMA_0009	Clash	-732.01mm	Not inspected
------------	-------------	-------	-----------	---------------

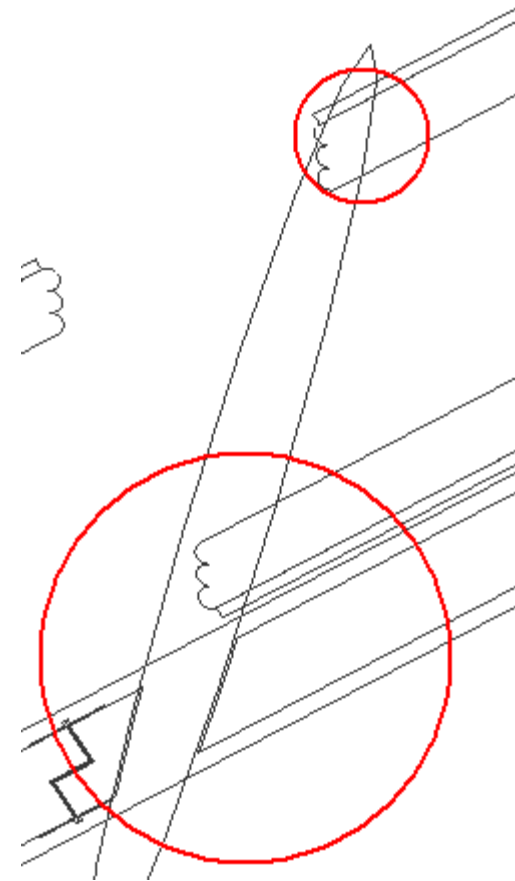
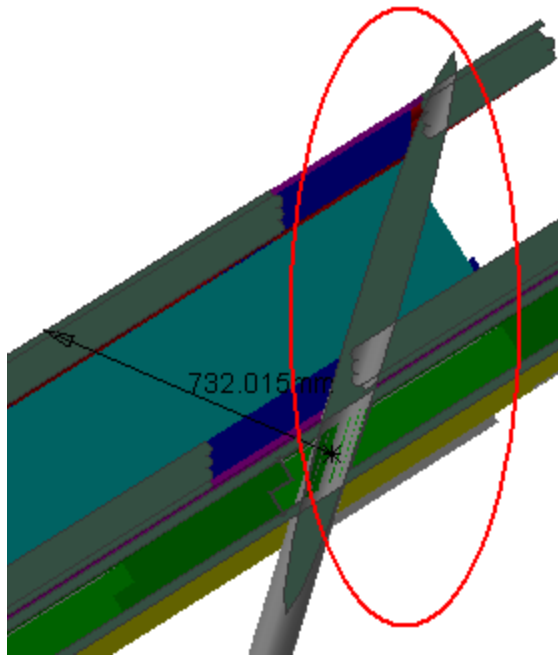


Clash=-732.01mm

Side A

Sector 5

# Clash View 1:





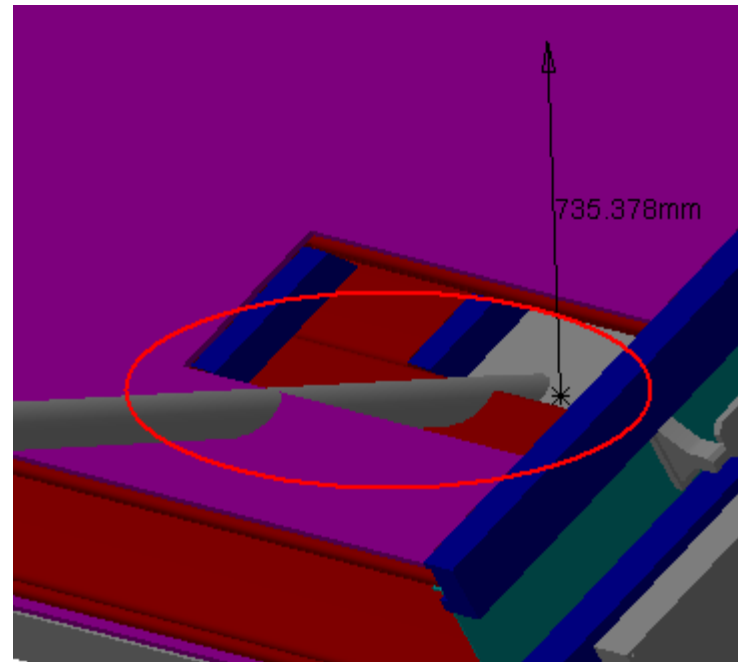
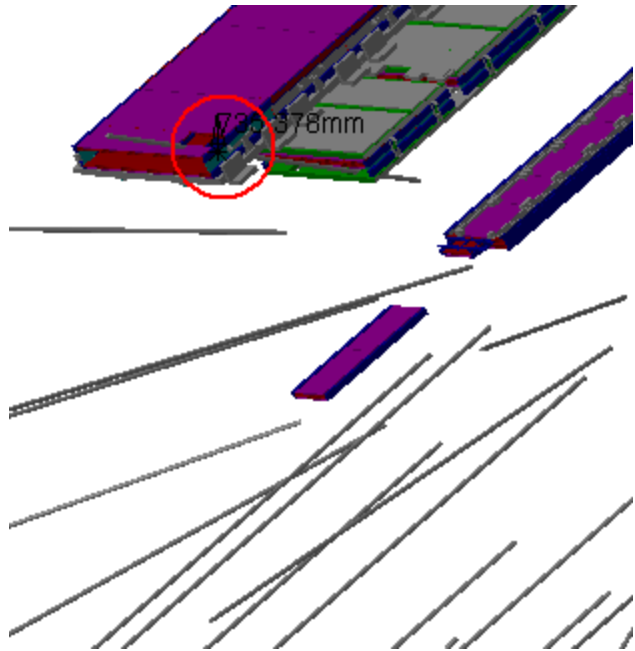
# Clash Publish

Clash Computation Specification	
Products Selected	
AT602154MQ MCB Muon Barrel Chambers Detailed Sec4	ATCNMA__0010 END CAP ALIGNMENT SIDE "C" - SIMPLE 3-D MODEL.

**Computation Result:**



AT602154MQ	ATCNMA_0010	Clash	-735.38mm	Not inspected
------------	-------------	-------	-----------	---------------

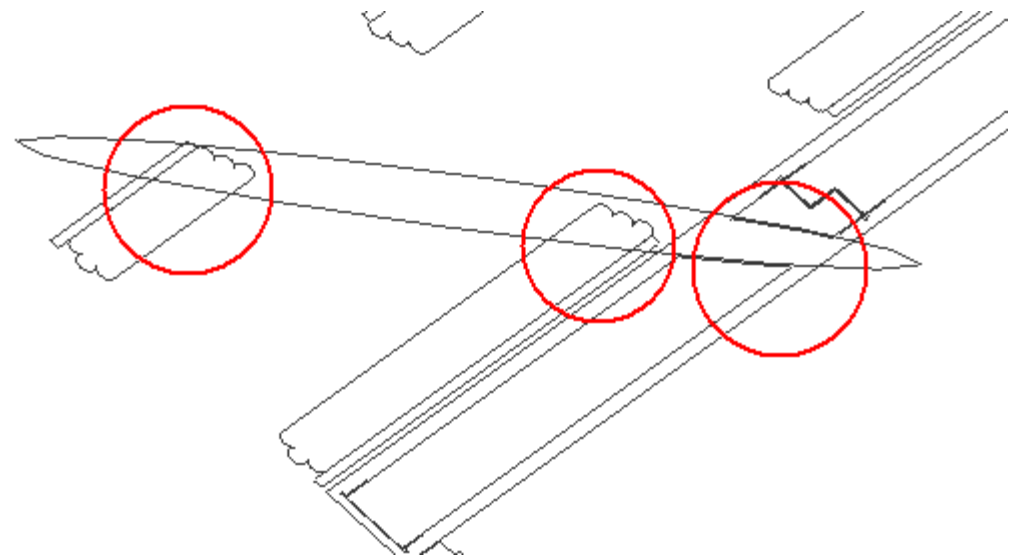
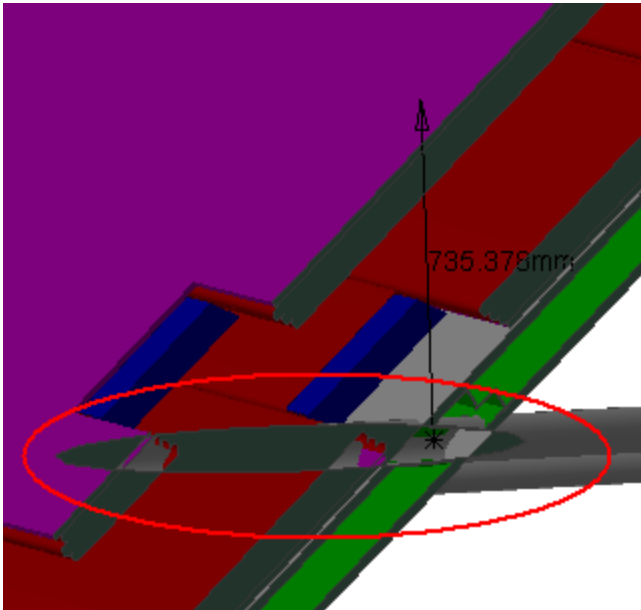


Clash=-735.38mm

Side C

Sector 5

# Clash View 1:



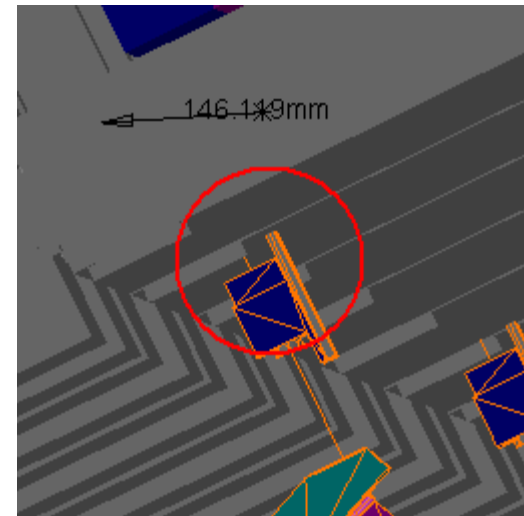
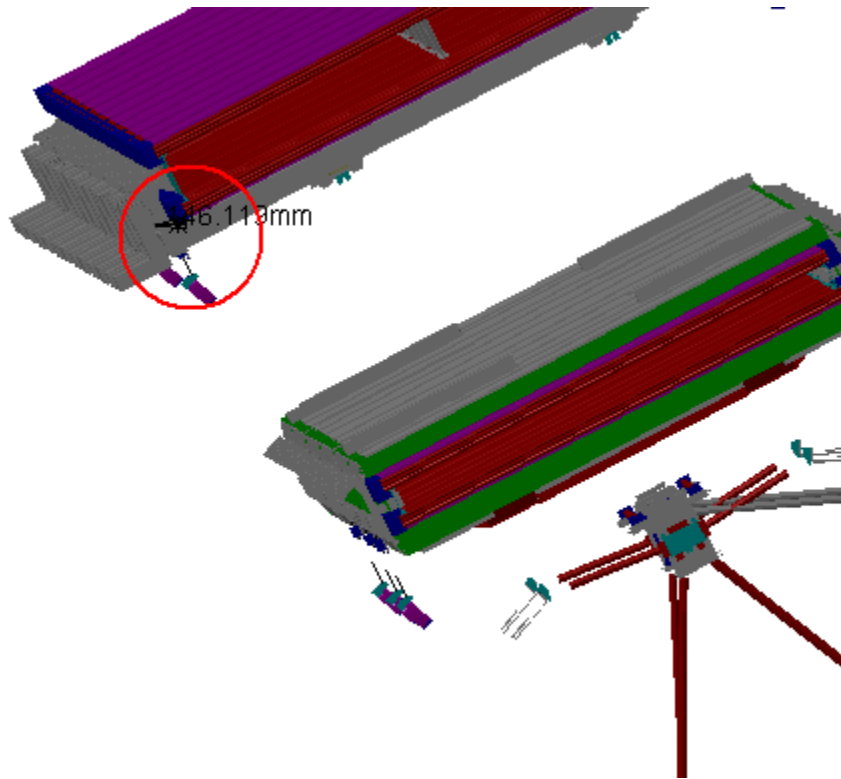


# Clash Publish

Clash Computation Specification	
Products Selected	
AT602154MQ MCB Muon Barrel Chambers Detailed Sec4	ATCNMA__0012 SECTOR 04 SIDE C (A) - REFERENCE ALIGNMENT SYSTEM AND

**Computation Result:**

AT602154MQ	ATCNMA_0012	Clash	--146.12mm	Not inspected
------------	-------------	-------	------------	---------------



Clash=-146.12mm

Side C

Sector 3

# Clash View 1:

