

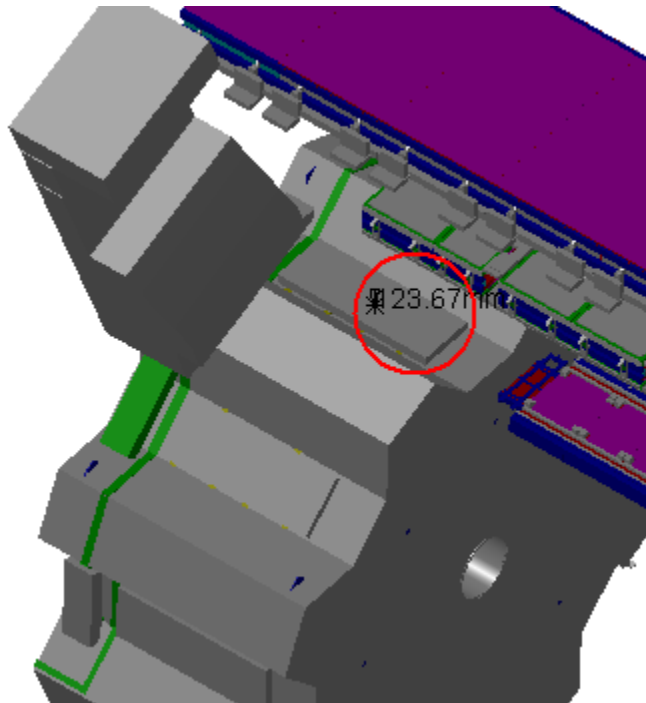


Clash Publish

Clash Computation Specification			
Products Selected			
AT602154MQ Sec6 MCB Muon Barrel Chambers Detailed	ATCZ5__0002 Z5 GLOBAL ENVELOPE (SIDE A) - AND LOCATION INTERFACES	-123.67	Not inspected
AT602154MQ Sec6 MCB Muon Barrel Chambers Detailed	ATCZ5__0001 Z5 GLOBAL ENVELOPE (SIDE C) - AND LOCATION INTERFACES (under construction)		
AT602154MQ Sec6 MCB Muon Barrel Chambers Detailed	ATCNMA__0003 BARREL PROJECTIVE ALIGNMENT. - SIMPLE 3-D MODEL. SECTOR 5.	-1.96	Not inspected
AT602154MQ Sec6 MCB Muon Barrel Chambers Detailed	ATCNMA__0004 BARREL PROJECTIVE ALIGNMENT. - SIMPLE 3-D MODEL. SECTOR 7.	-1.62	Not inspected
AT602154MQ Sec6 MCB Muon Barrel Chambers Detailed	ATCNMA__0009 END CAP ALIGNMENT SIDE "A". - SIMPLE 3-D MODEL.	-734.82	Not inspected
AT602154MQ Sec6 MCB Muon Barrel Chambers Detailed	ATCNMA__0010 END CAP ALIGNMENT SIDE "C" - SIMPLE 3-D MODEL.	-732.01	Not inspected
AT602154MQ Sec6 MCB Muon Barrel Chambers Detailed	ATCNMA__0013 SECTOR 06 SIDE C (A) - REFERENCE ALIGNMENT SYSTEM AND	-166.45	Not inspected

Computation Result:

AT602154MQ Sec6 MCB Muon Barrel Chambers Detailed	ATCZ5__0002 Z5 GLOBAL ENVELOPE (SIDE A) - AND LOCATION INTERFACES	Clash	-123.67mm	Not inspected
---	---	-------	-----------	---------------

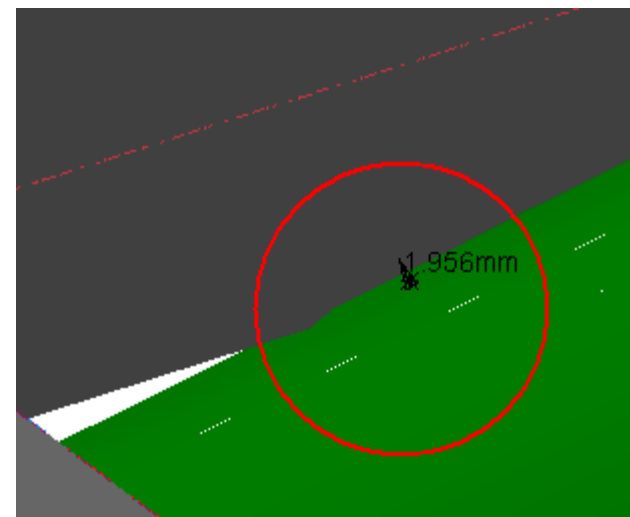
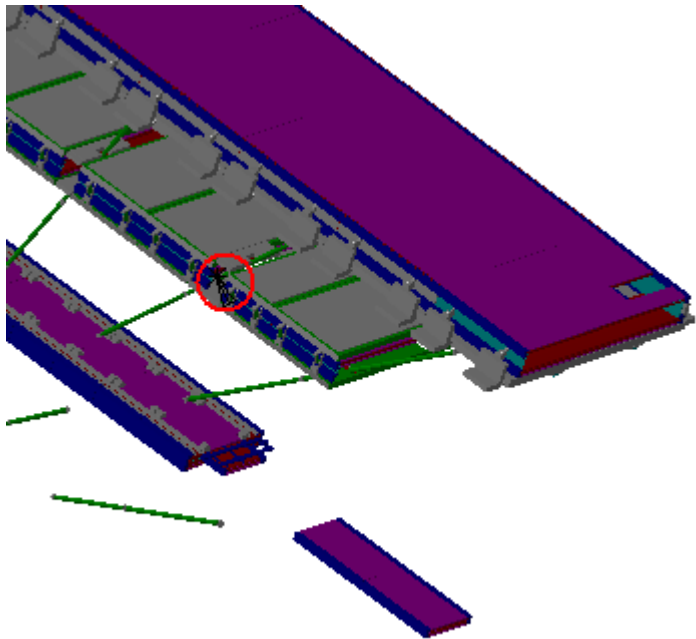


Clash= -123.67mm

Side A

Sector 6

AT602154MQ Sec6 MCB Muon Barrel Chambers Detailed	ATCNMA_0003 BARREL PROJECTIVE ALIGNMENT. - SIMPLE 3-D MODEL. SECTOR 5.	Clash	-1.96mm	Not inspected
---	--	-------	---------	---------------

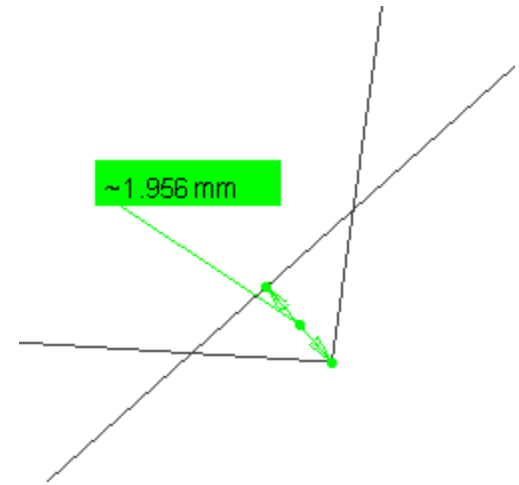
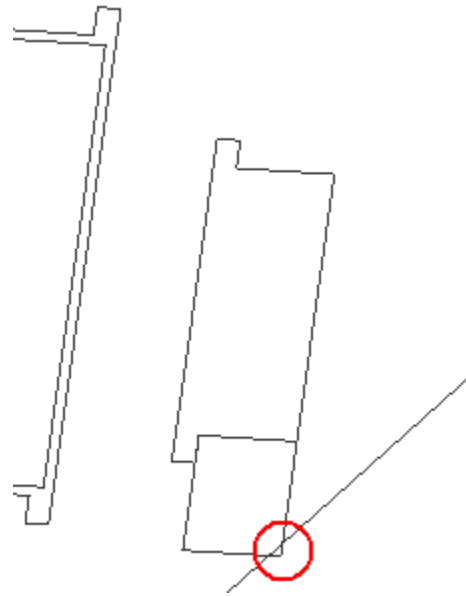
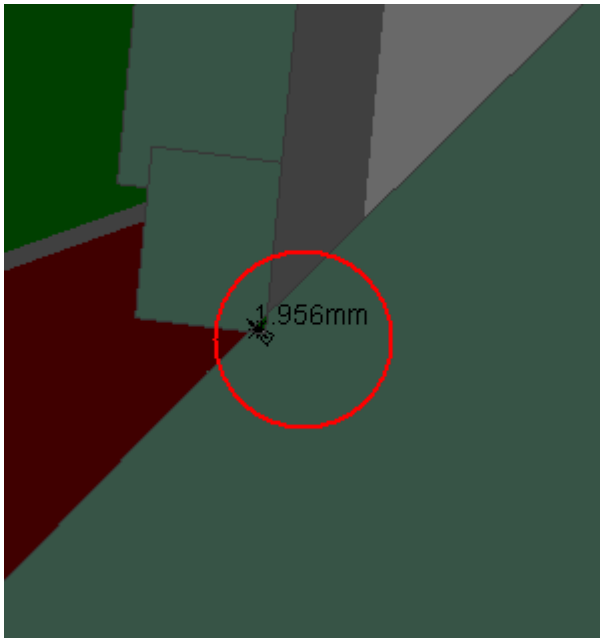


Clash=-1.93mm

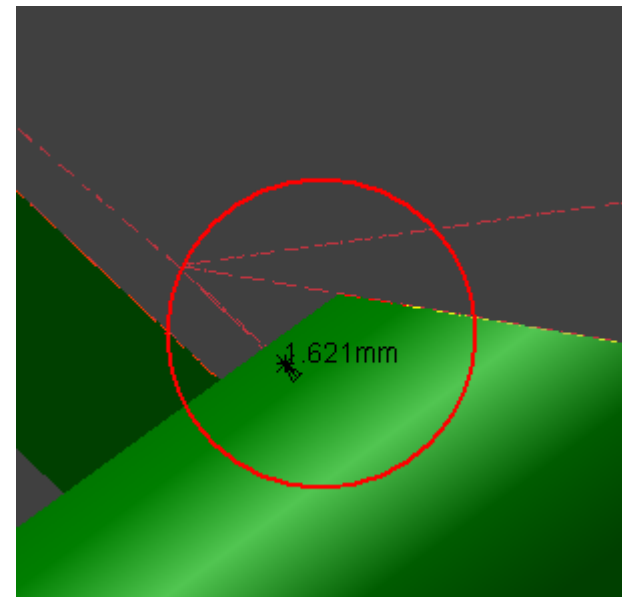
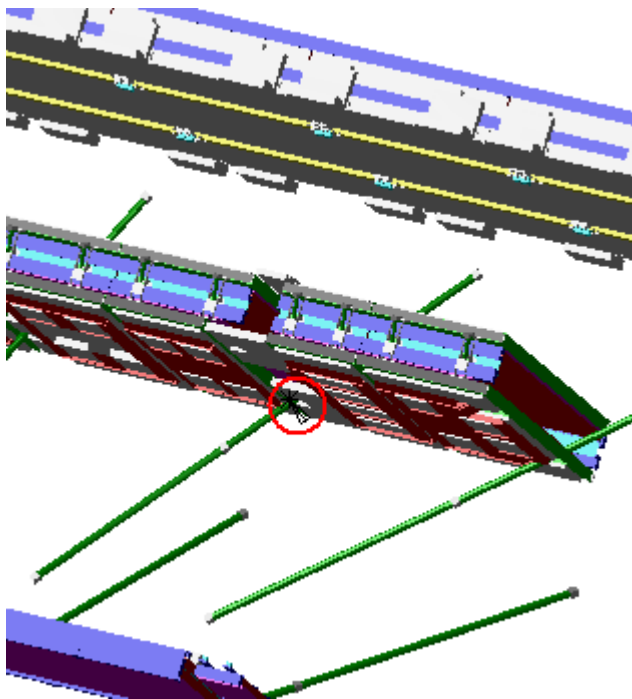
Side C

Sector 5

Clash View 1:



AT602154MQ Sec6 MCB Muon Barrel Chambers Detailed	ATCNMA_0004 BARREL PROJECTIVE ALIGNMENT. - SIMPLE 3-D MODEL. SECTOR 7.	Clash	-1.62mm	Not inspected
---	--	-------	---------	---------------

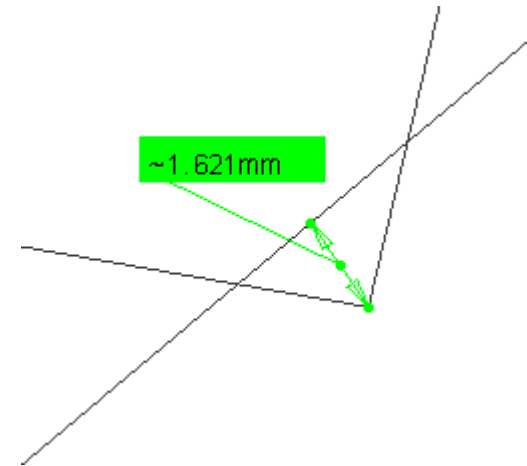
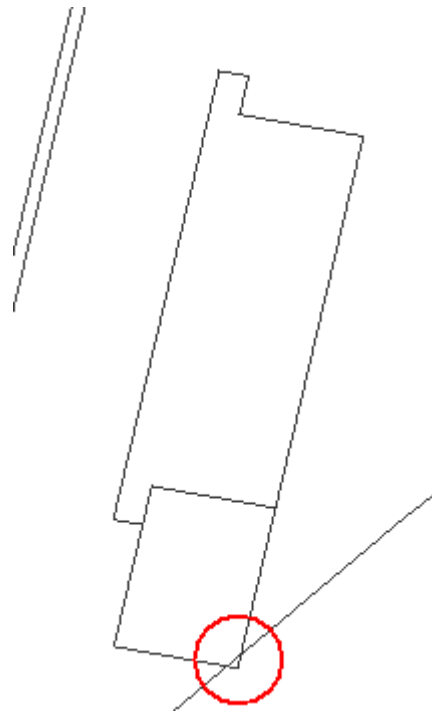
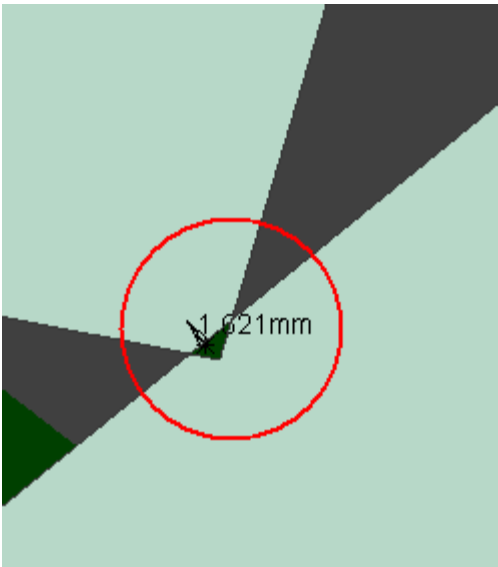


Clash=-1.62mm

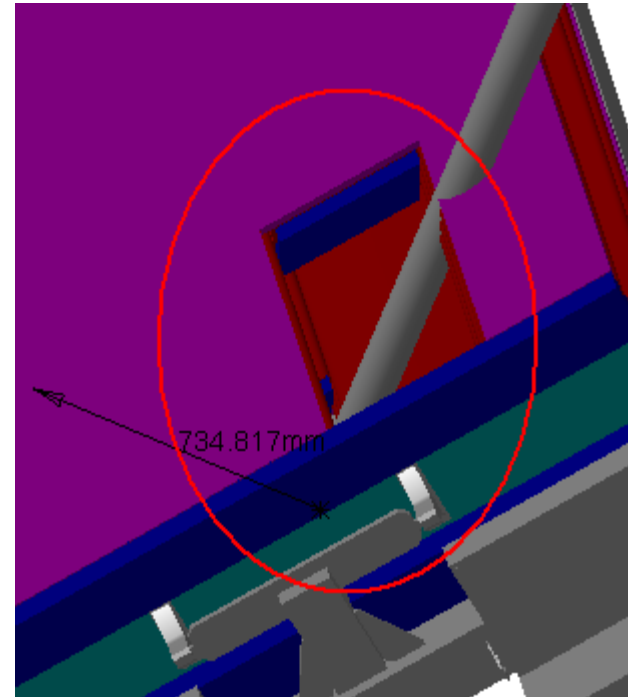
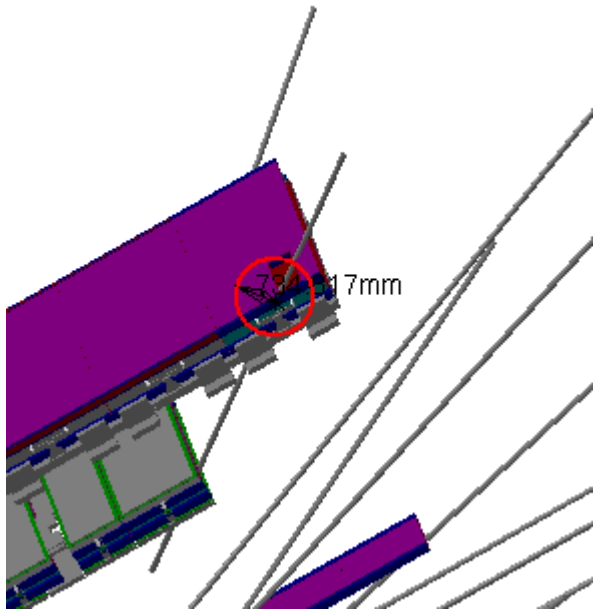
Side C

Sector 7

Clash View 1:



AT602154MQ Sec6 MCB Muon Barrel Chambers Detailed	ATCNMA_0009 END CAP ALIGNMENT SIDE "A". - SIMPLE 3-D MODEL.	Clash	-734.82mm	Not inspected
--	---	-------	-----------	---------------

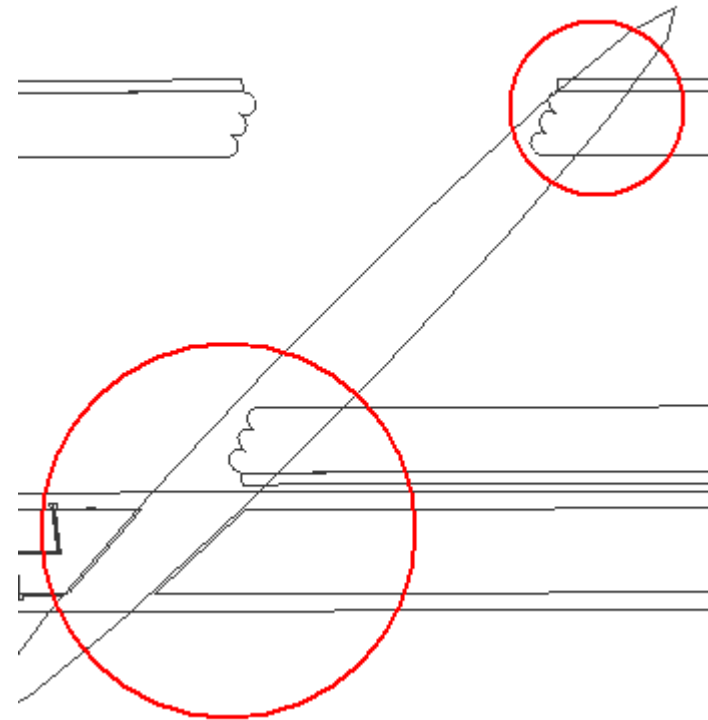
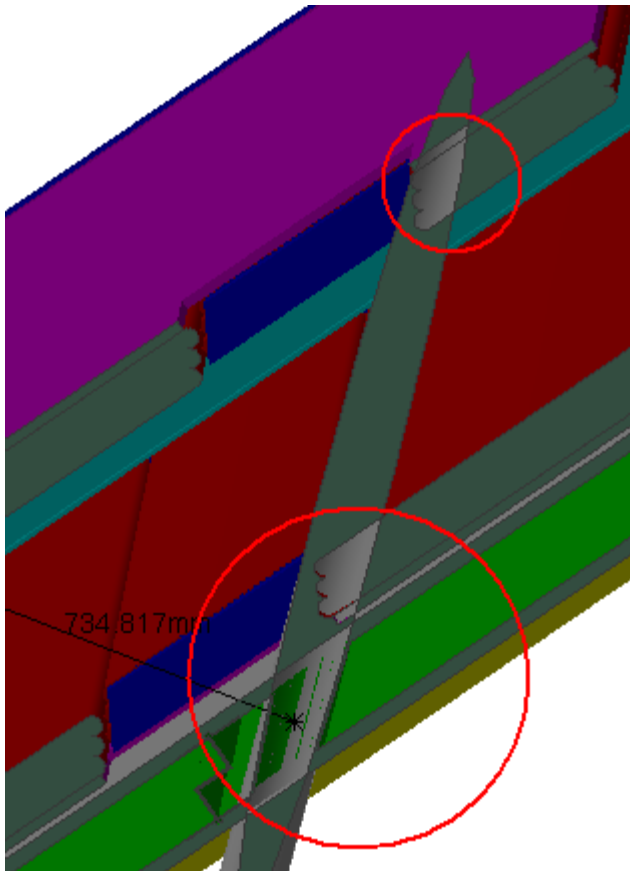


Clash=-734.82mm

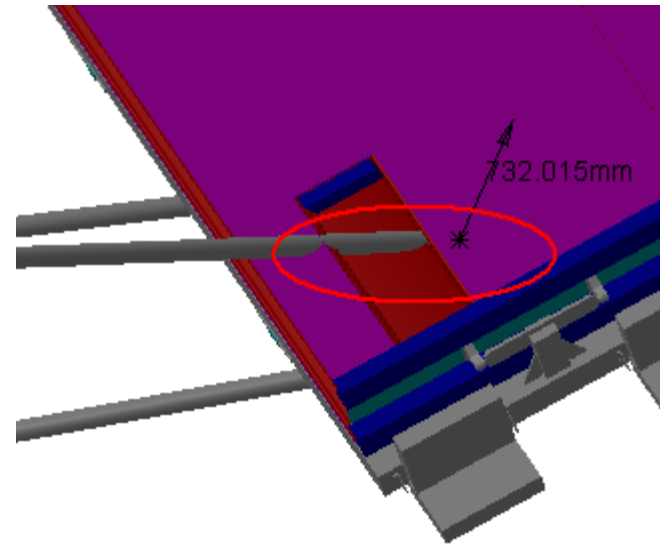
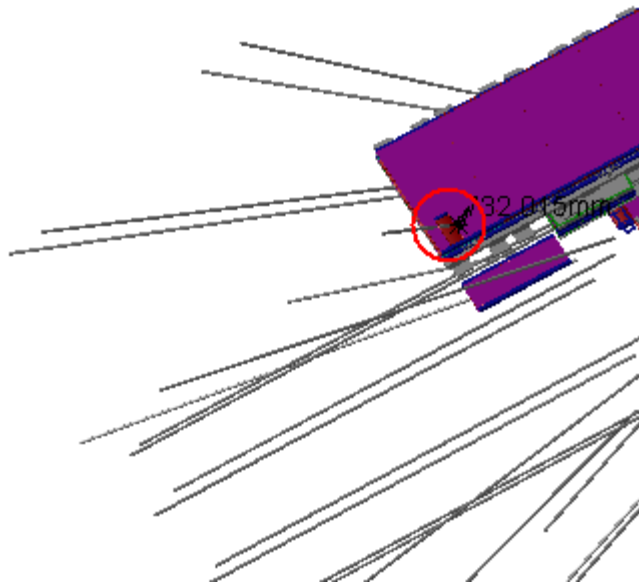
Side A

Sector 6

Clash View 1:



AT602154MQ Sec6 MCB Muon Barrel Chambers Detailed	ATCNMA_0010 END CAP ALIGNMENT SIDE "C" - SIMPLE 3-D MODEL.	Clash	-732.01mm	Not inspected
---	--	-------	-----------	---------------

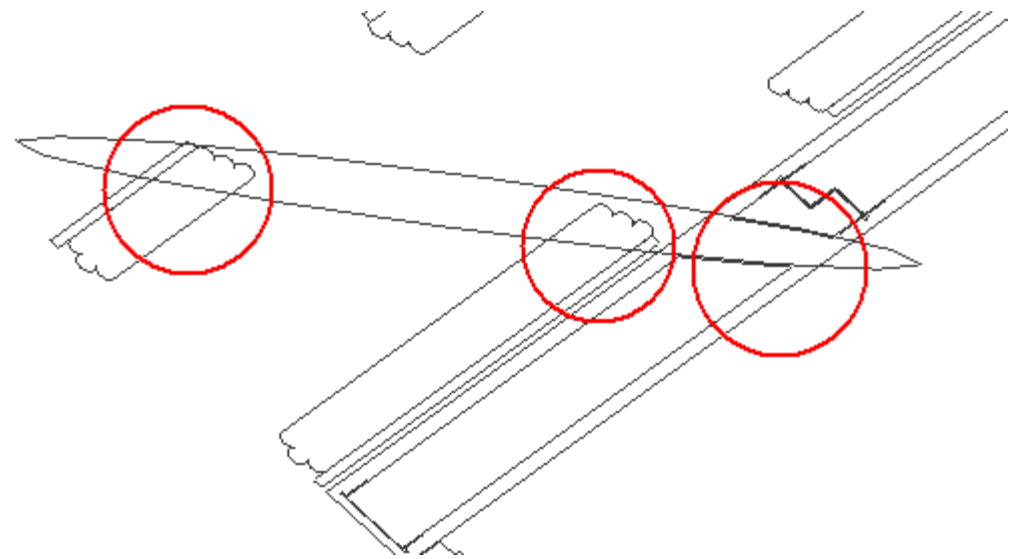
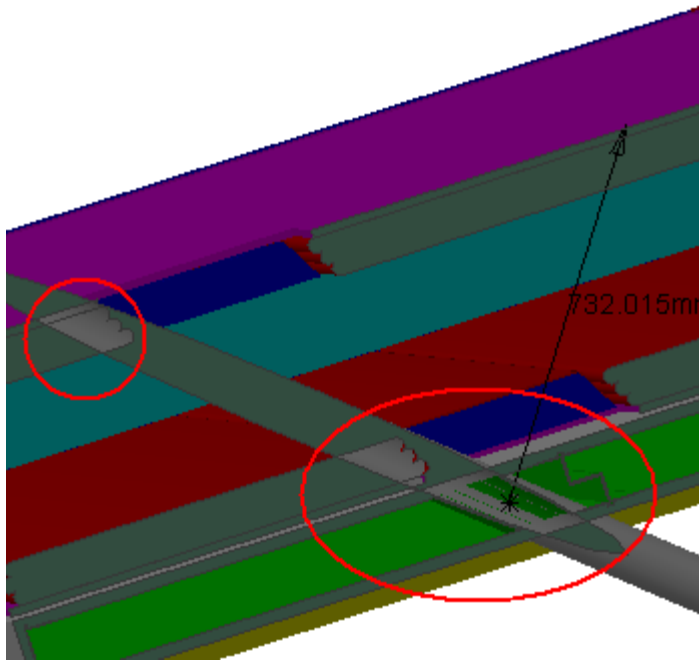


Clash=-732.01mm

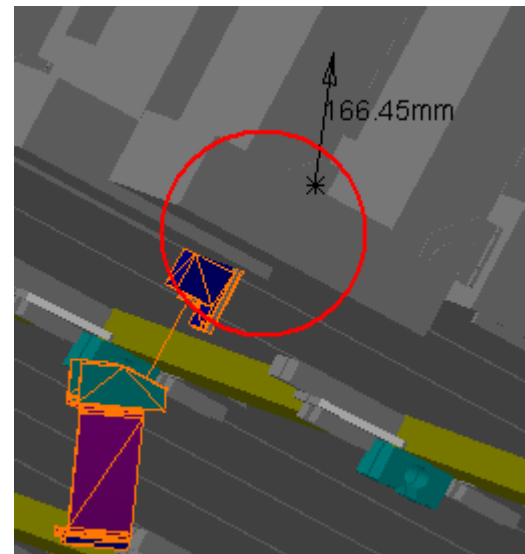
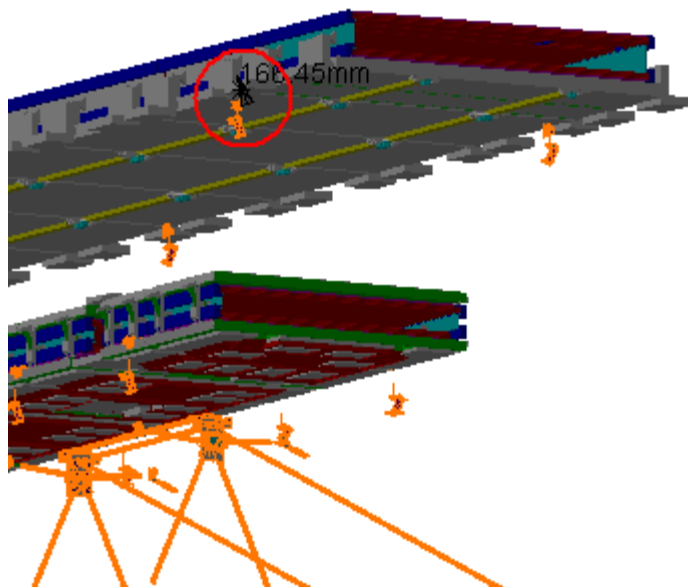
Side C

Sector 6

Clash View 1:



AT602154MQ Sec6 MCB Muon Barrel Chambers Detailed	ATCNMA_0013 SECTOR 06 SIDE C (A) - REFERENCE ALIGNMENT SYSTEM AND	Clash	--166.45mm	Not inspected
---	---	-------	------------	---------------



Clash=-166.45mm

Side C

Sector 5

Clash View 1:

