

# Clearance Publish

Clearance = 100mm



## Clearance Computation Specification

Products Selected		Value	Status
<b>AT602152MQ</b> - MUON BARREL CHAMBERS DETAILED, SECTOR 1	<b>NHX_0001</b> - SIMPLIFIED ACCESS PLATFORMS - END-CAP PART (SIDE A)	45.5	Not inspected
	<b>AT602154MQ</b> - MUON BARREL CHAMBERS DETAILED, SECTOR 2	40.7	Not inspected
	<b>AT602342MQ</b> - MUON BARREL CHAMBERS DETAILED, SECTOR 16	34.8	Not inspected
	<b>ZTB_0002</b> - GLOBAL TB ENVELOPE (8 COILS)	-	-
	<b>NTB_0001 BT16</b> - TB STANDARD COIL – SECTOR 16	46.3	Not inspected
	<b>NTB_0001 BT 2</b> - TB STANDARD COIL – SECTOR 2	46.3	Not inspected

**Computation Result:**

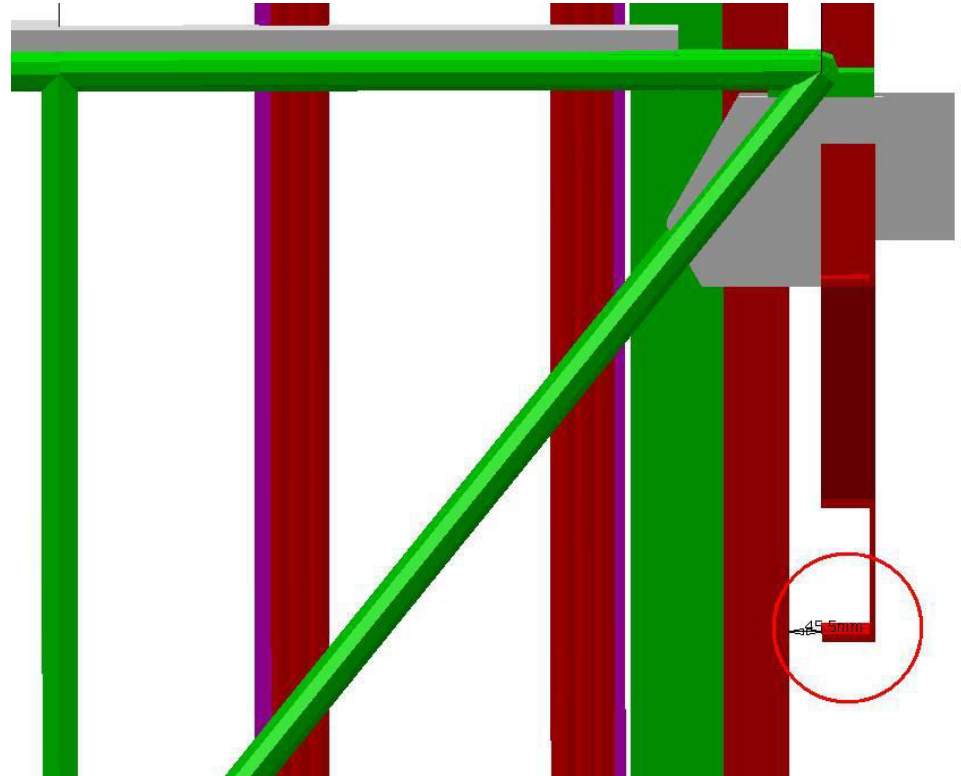
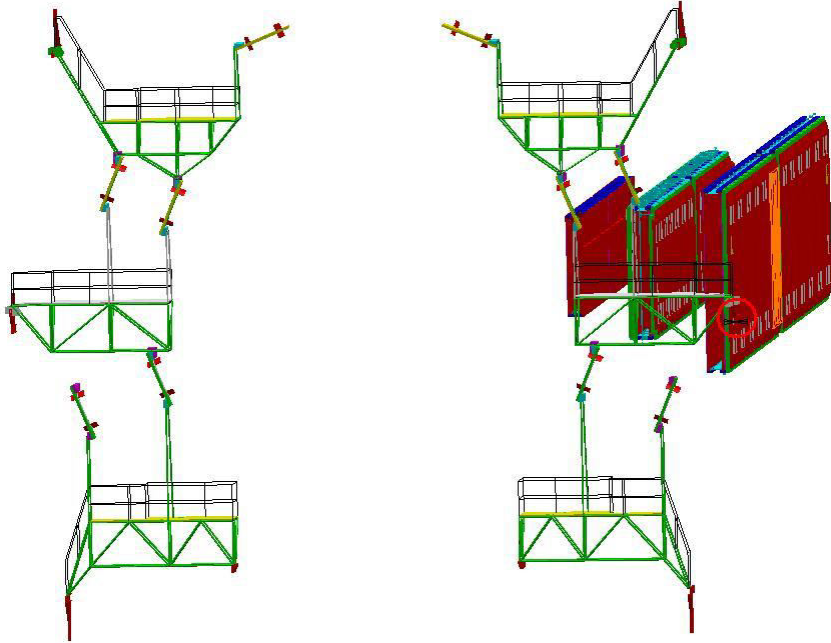


## Contact Publish

Contact Computation Specification	
Products Selected	
<b>AT602152MQ</b> - MUON BARREL CHAMBERS DETAILED, SECTOR 1	<b>NHX_0001</b> - SIMPLIFIED ACCESS PLATFORMS - END-CAP PART (SIDE A) - <b>SIDE A</b>

**Computation Result:**

AT602152MQ	NHX__0001	Clearance	45.5	Not inspected
------------	-----------	-----------	------	---------------



SIDE A  
Sector 1

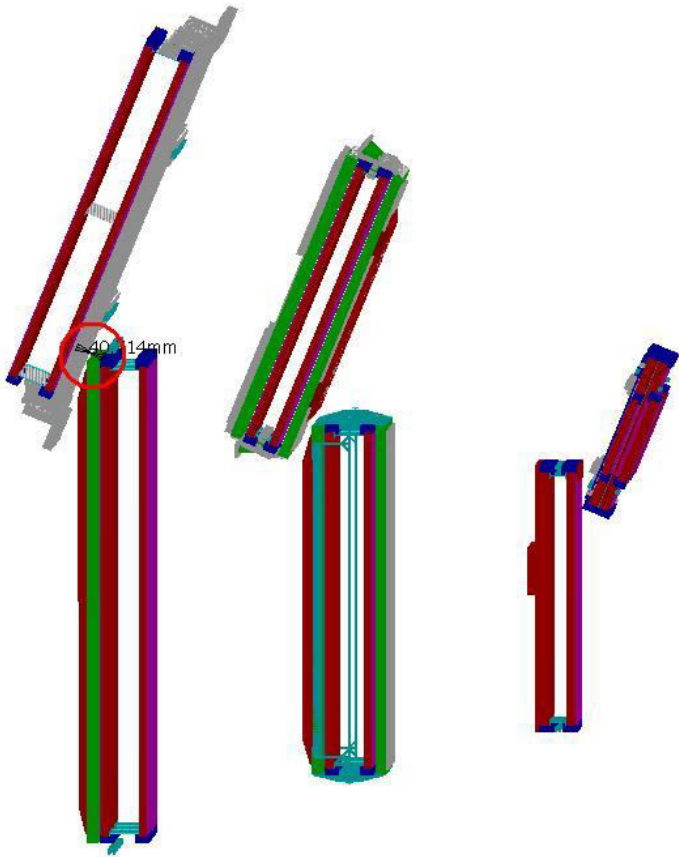


## Contact Publish

Contact Computation Specification	
Products Selected	
<b>AT602152MQ</b> - MUON BARREL CHAMBERS DETAILED, SECTOR 1	<b>AT602154MQ</b> - MUON BARREL CHAMBERS DETAILED, SECTOR 2 - <b>SIDE A-C</b>

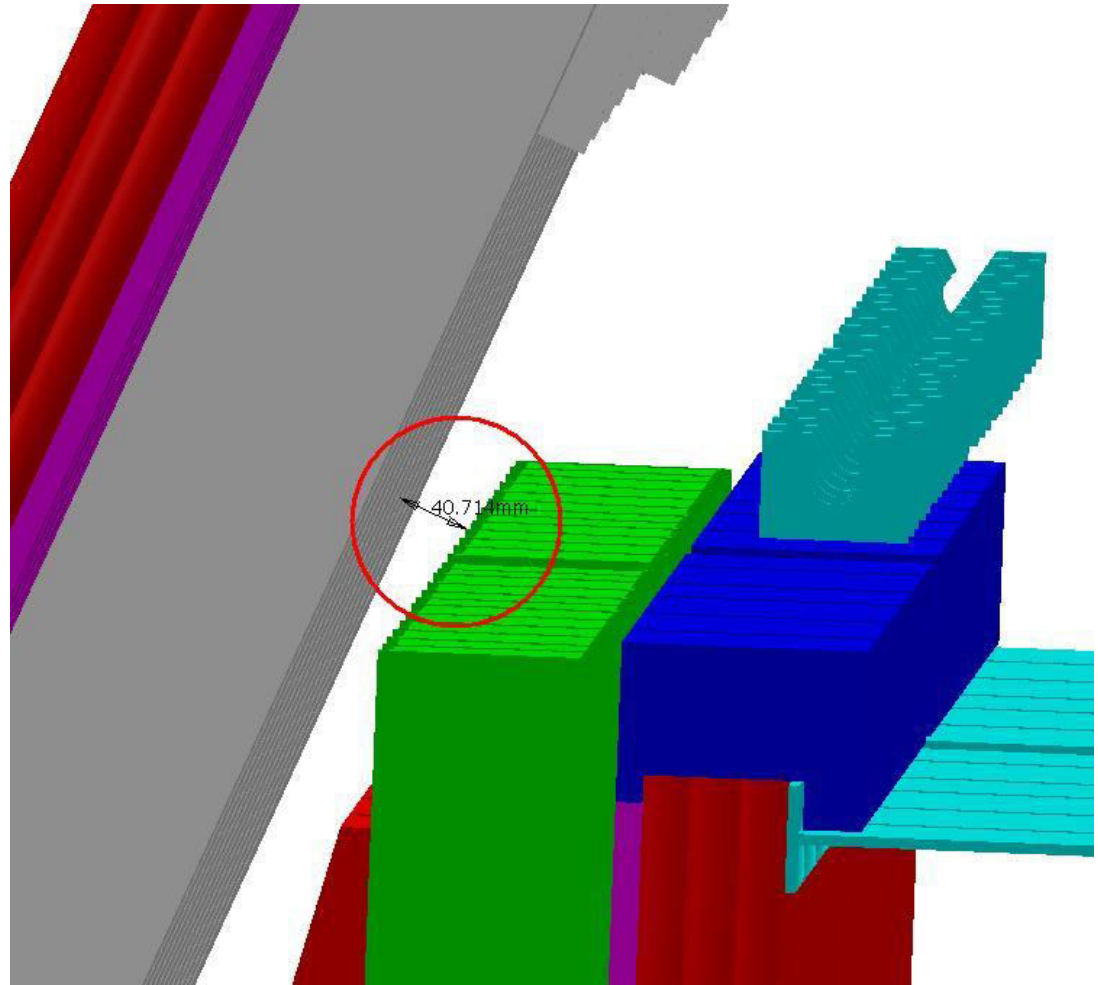
**Computation Result:**

AT602152MQ	AT602154MQ	Clearance	40.7135	Not inspected
------------	------------	-----------	---------	---------------



SIDE A-C

Sector 1



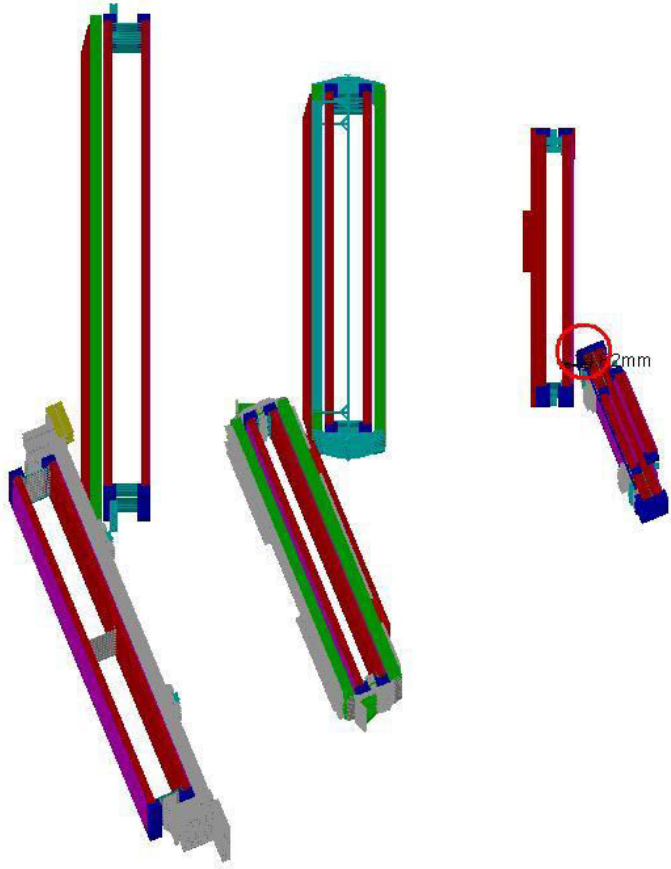


## Contact Publish

Contact Computation Specification	
Products Selected	
<b>AT602152MQ</b> - MUON BARREL CHAMBERS DETAILED, SECTOR 1	<b>AT602342MQ</b> - MUON BARREL CHAMBERS DETAILED, SECTOR 16 – <b>SIDE A-C</b>

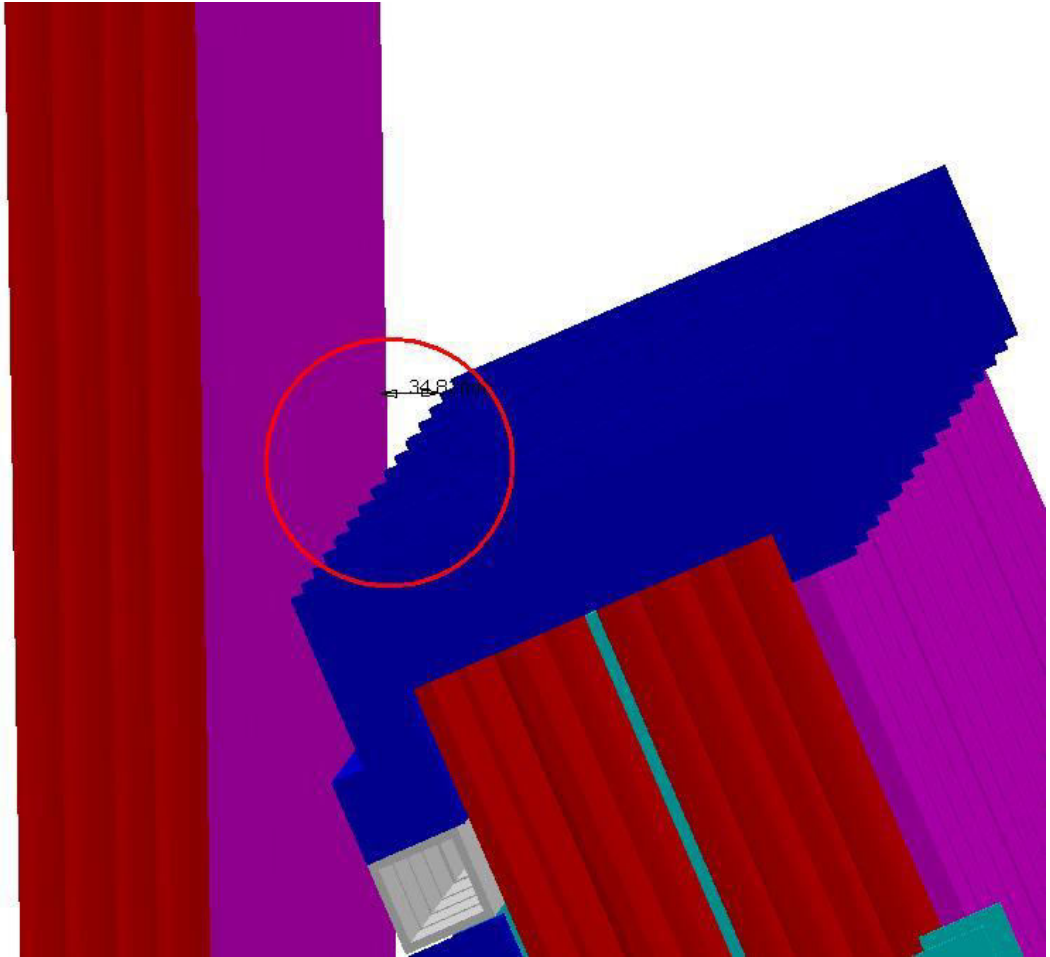
**Computation Result:**

AT602152MQ	AT602342MQ	Clearance	34.8198	Not inspected
------------	------------	-----------	---------	---------------



SIDE A-C

Sector 1





## Clearance Publish

Clearance Computation Specification	
Products Selected	
<b>AT602152MQ</b> - MUON BARREL CHAMBERS DETAILED, SECTOR 1	<b>ZTB_0002</b> - GLOBAL TB ENVELOPE (8 COILS) *

### Computation Result:

\* PC is unable to perform detailed calculation.



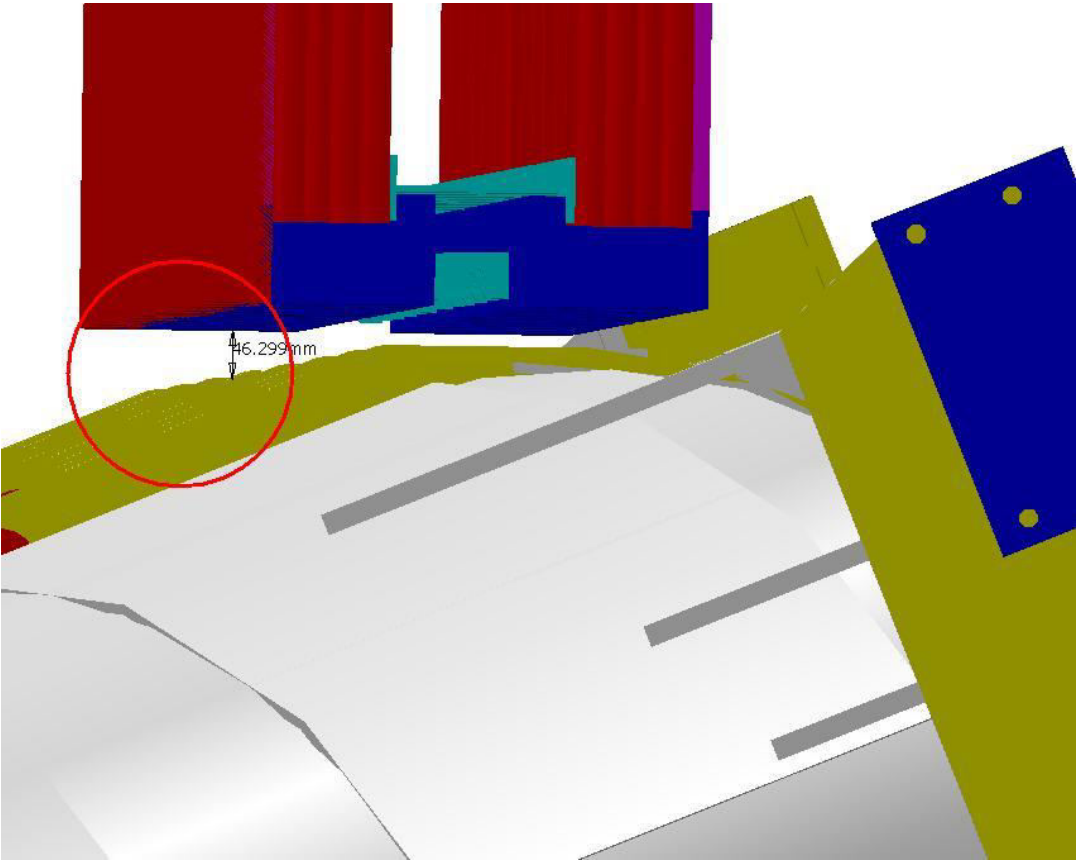
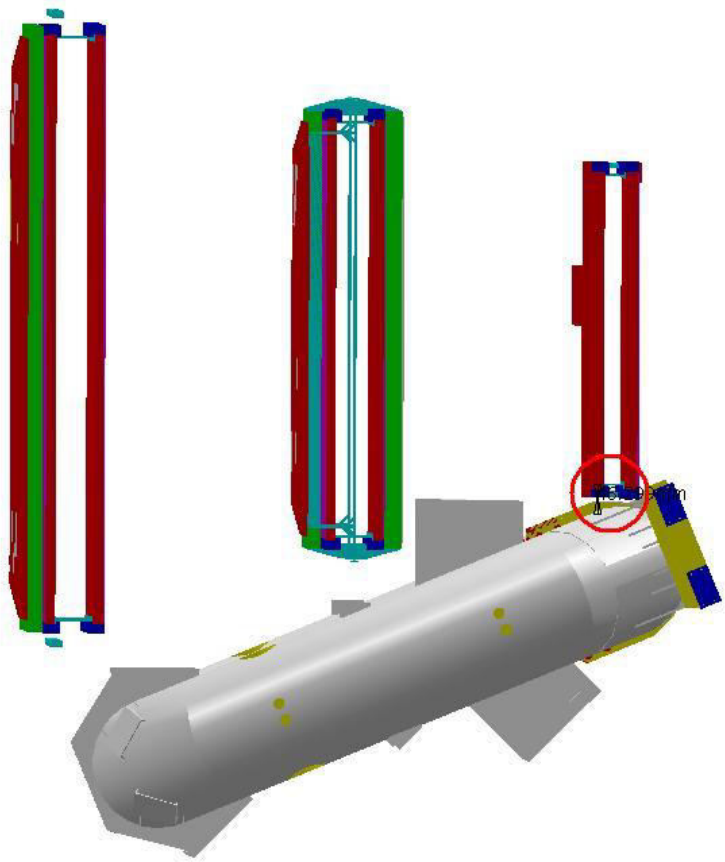


## Clearance Publish

Clearance Computation Specification	
Products Selected	
<b>AT602152MQ</b> - MUON BARREL CHAMBERS DETAILED, SECTOR 1	<b>NTB_0001 BT16</b> - TB STANDARD COIL – SECTOR 16 – <b>SIDE A -C</b>

**Computation Result:**

NSE__0003	NTB_0001 BT16	Clearance	46.2988	Not inspected
-----------	---------------	-----------	---------	---------------



SIDE A-C  
Sector 1

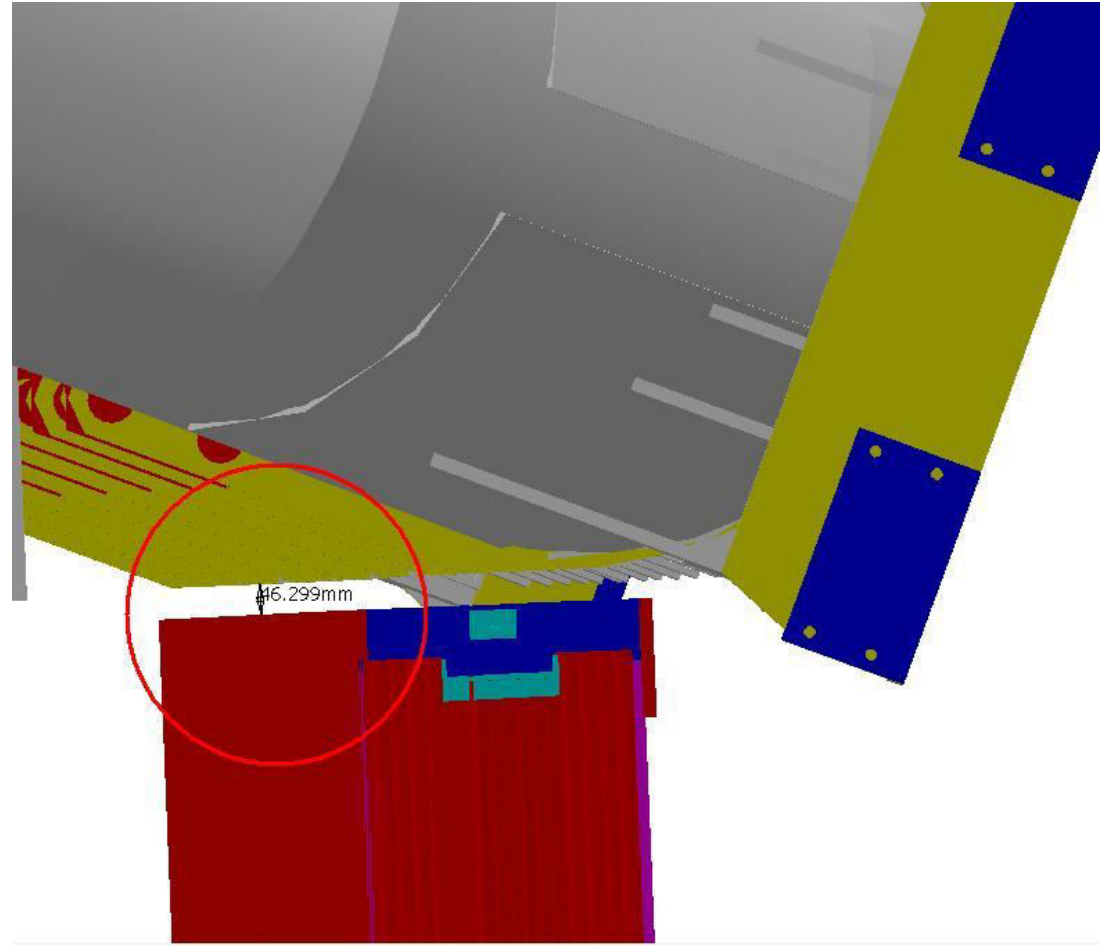
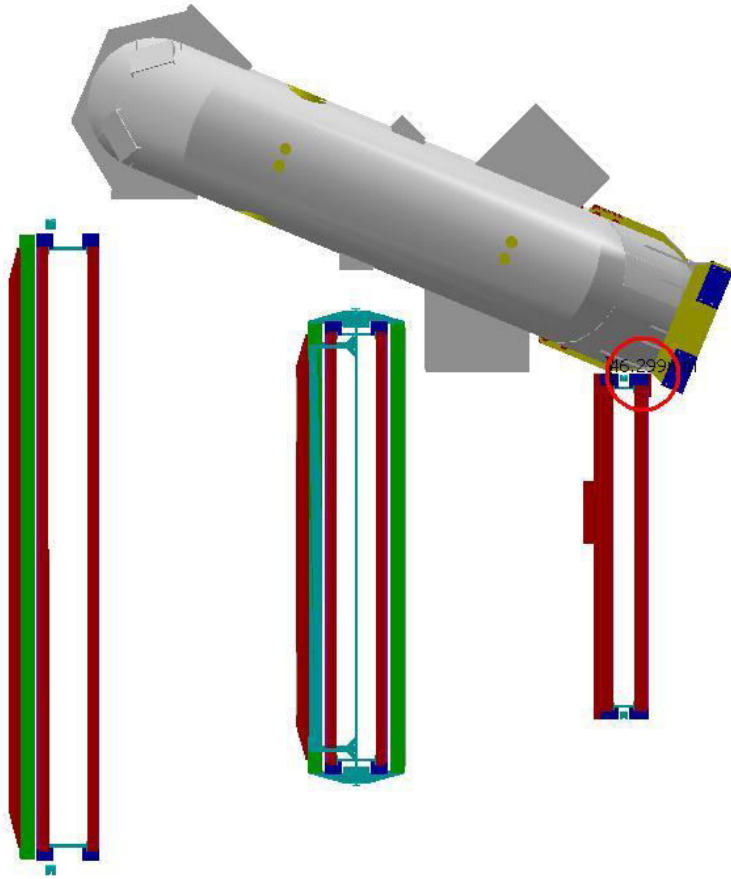


# Clearance Publish

Clearance Computation Specification	
Products Selected	
<b>AT602152MQ - MUON BARREL CHAMBERS DETAILED, SECTOR 1</b>	<b>NTB_0001 BT 2 - TB STANDARD COIL – SECTOR 2 – SIDE A-C</b>

**Computation Result:**

NSE__0003	NTB_0001 BT2	Clearance	46.2989	Not inspected
-----------	--------------	-----------	---------	---------------



SIDE A-C

Sector 1