



## Clash Publish

Clash Computation Specification			
Products Selected		Value	Status
AT602152MQ - MUON BARREL CHAMBERS DETAILED, SECTOR 1	NMA_0001 - BARREL PROJECTIVE ALIGNMENT. - SIMPLE 3-D MODEL. SECTOR 1	-6.3	Not inspected
	NMA_0011 - SECTOR 02 SIDE C (A) - REFERENCE ALIGNMENT SYSTEM AND	-74.5	Not inspected
	NMA_0018 - SECTOR 16 SIDE C (A) - REFERENCE ALIGNMENT SYSTEM AND	-73.8	Not inspected

**Computation Result:**

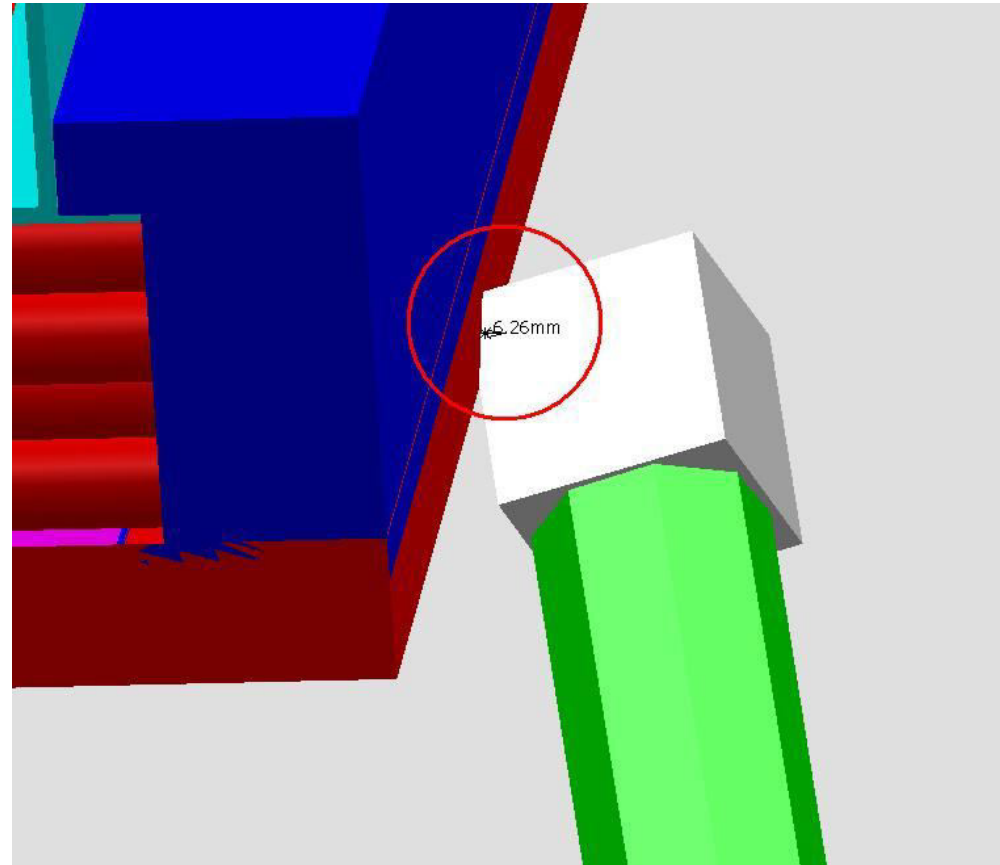
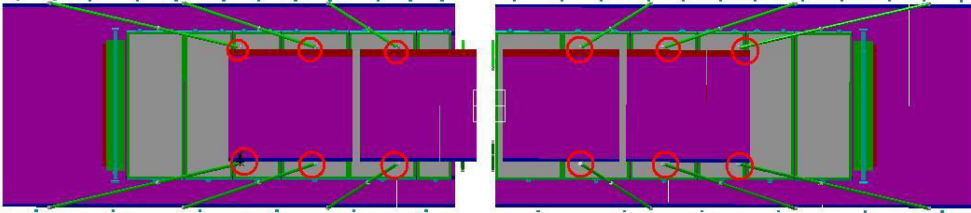
# Clash Publish



Clash Computation Specification	
Products Selected	
<b>AT602152MQ</b> - MUON BARREL CHAMBERS DETAILED, SECTOR 1	<b>NMA_0001</b> - BARREL PROJECTIVE ALIGNMENT. - SIMPLE 3-D MODEL. SECTOR 1 – <b>SIDE A-C</b>

**Computation Result:**

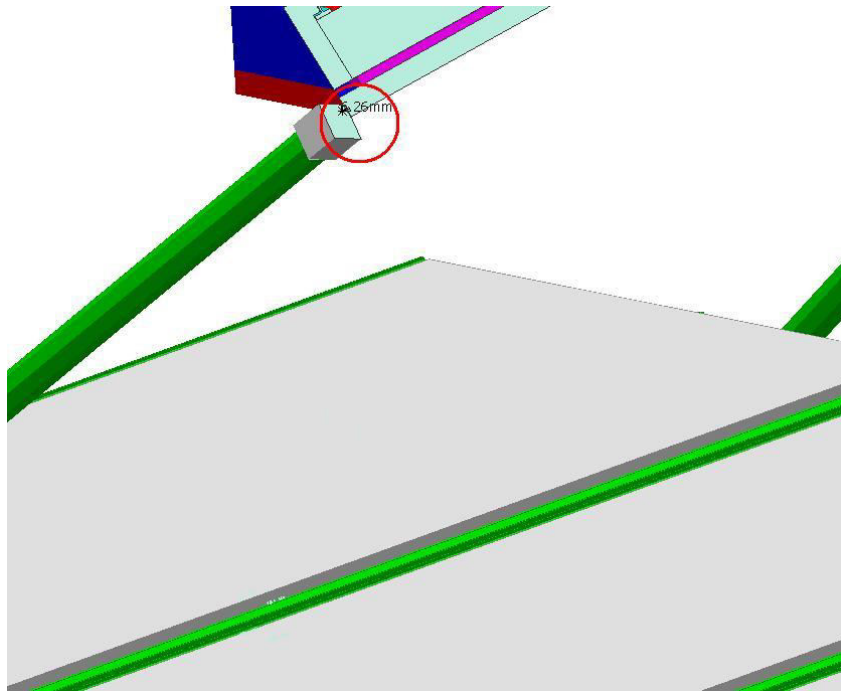
AT602152MQ	NMA__0001	Clash	-6.2599	Not inspected
------------	-----------	-------	---------	---------------



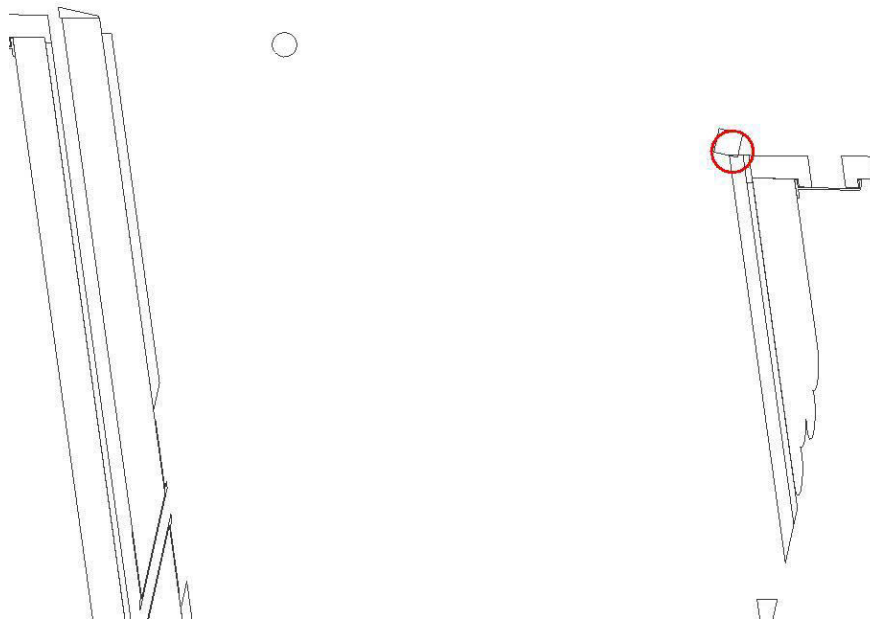
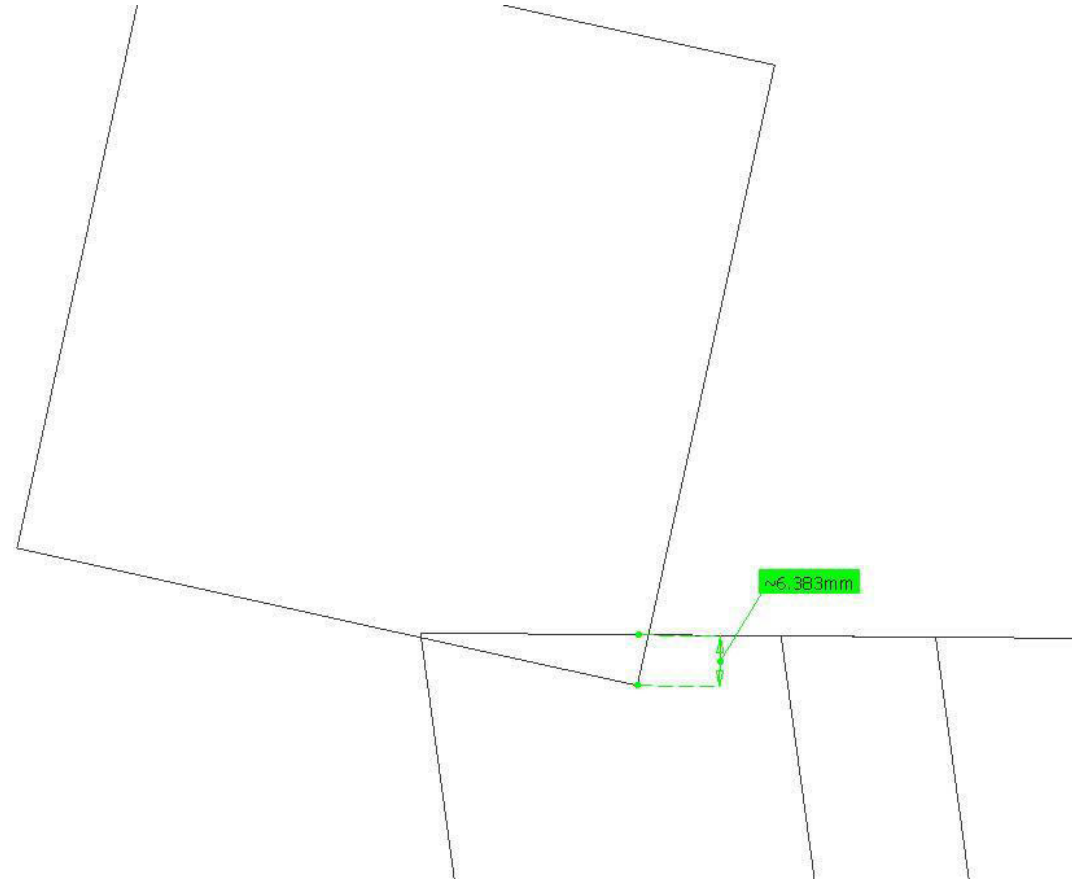
Clash value: ~ 6.3 mm

SIDE A-C

Sector 1



# Clash View:



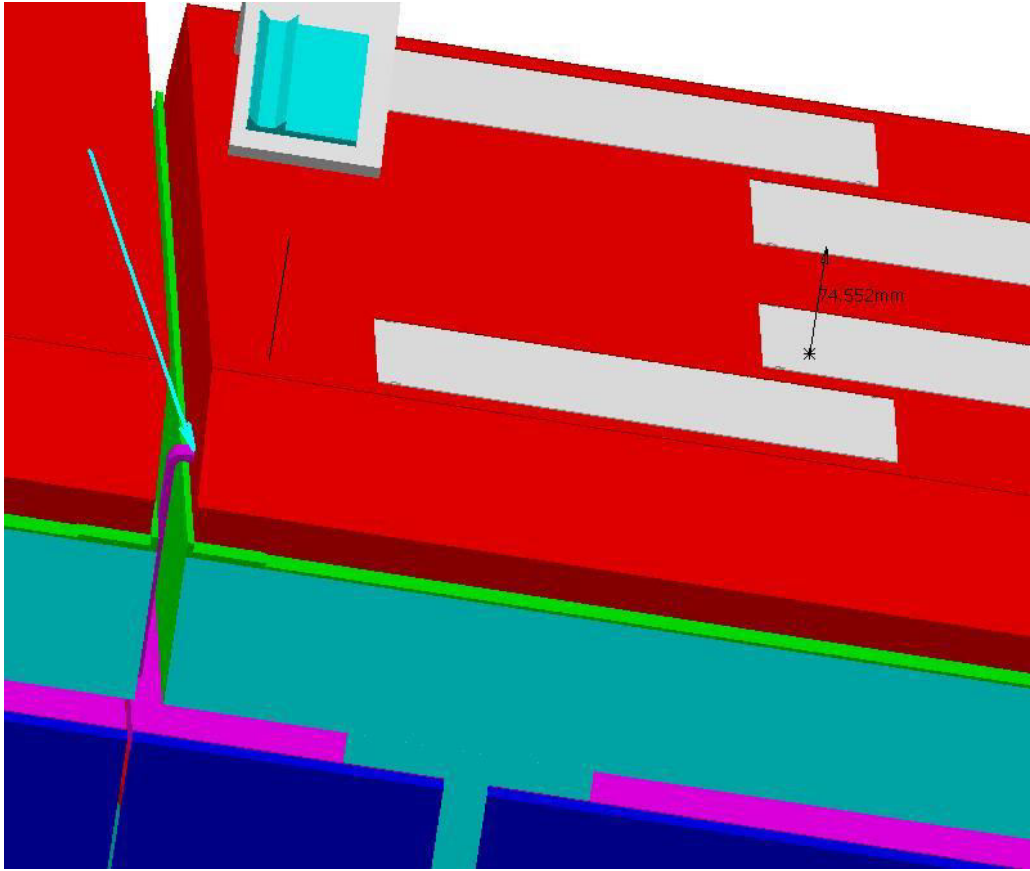
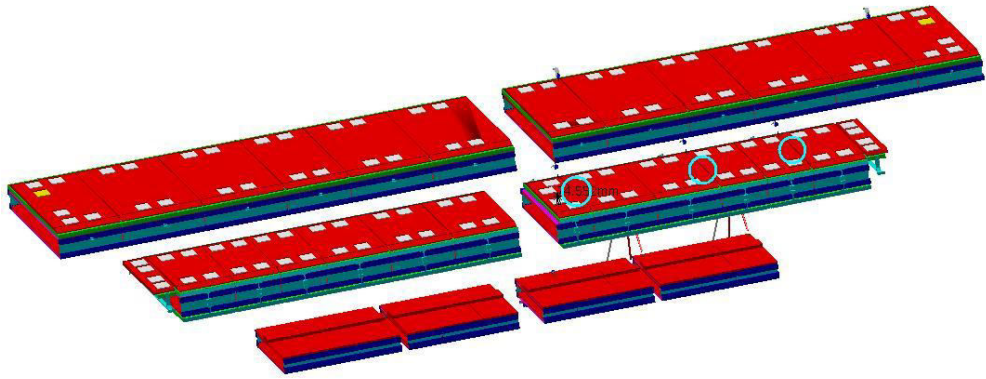
# Clash Publish



Clash Computation Specification	
Products Selected	
<b>AT602152MQ - MUON BARREL CHAMBERS DETAILED, SECTOR 1</b>	<b>NMA_0011 - SECTOR 02 SIDE C (A) - REFERENCE ALIGNMENT SYSTEM AND - SIDE C</b>

**Computation Result:**

AT602152MQ	NMA__0011	Clash	-74.5517	Not inspected
------------	-----------	-------	----------	---------------

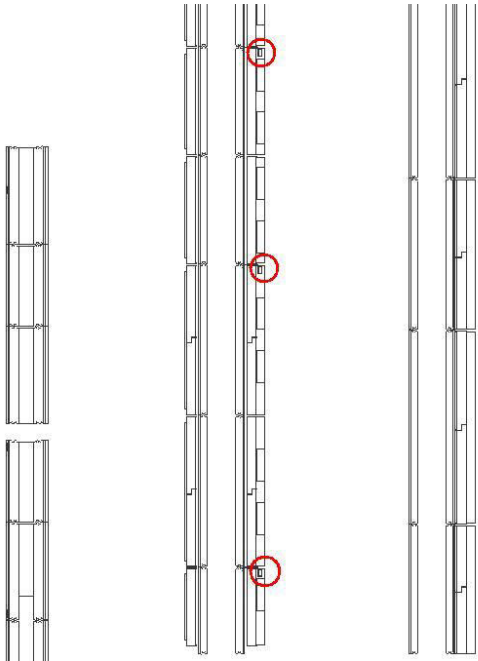
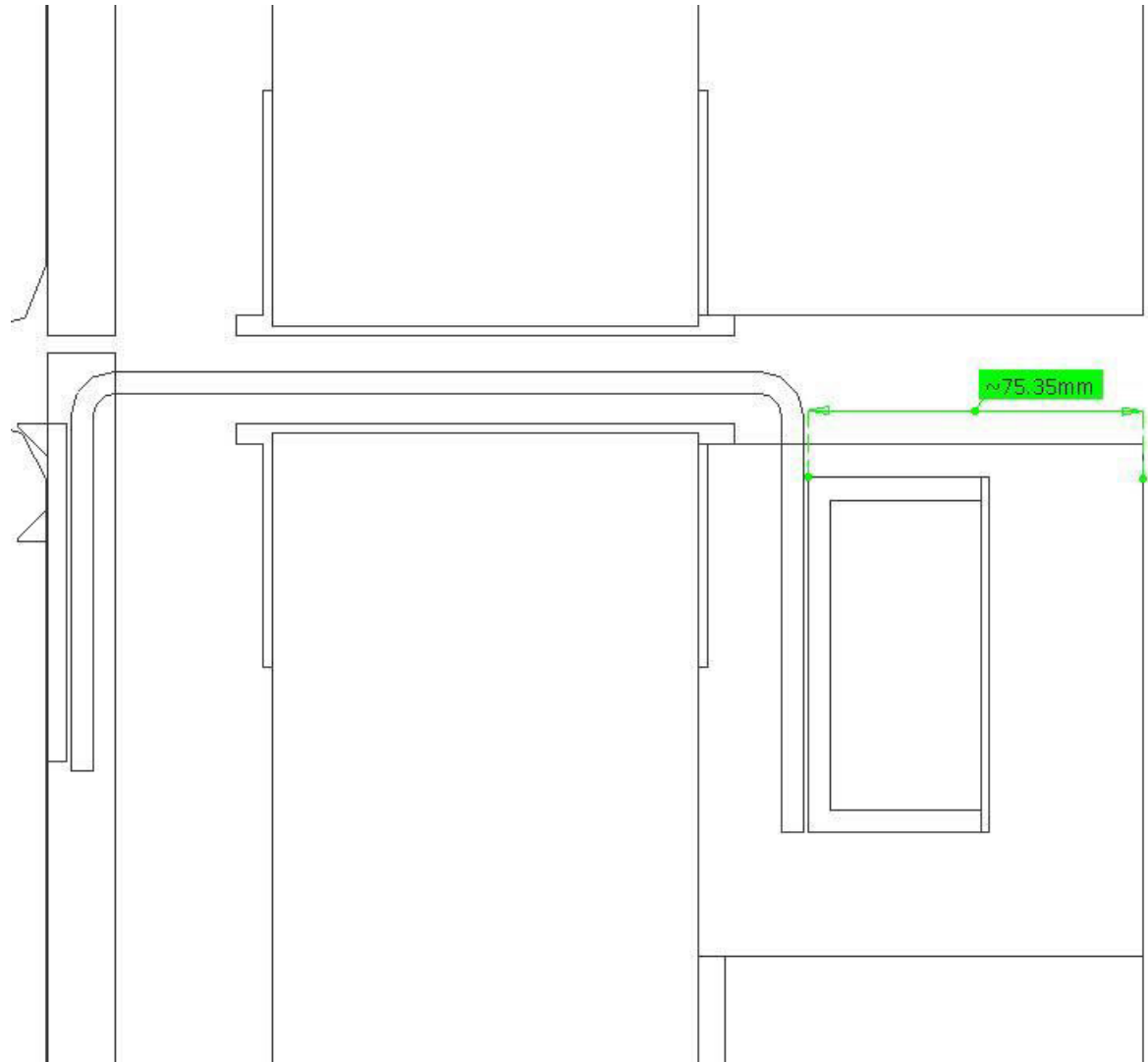
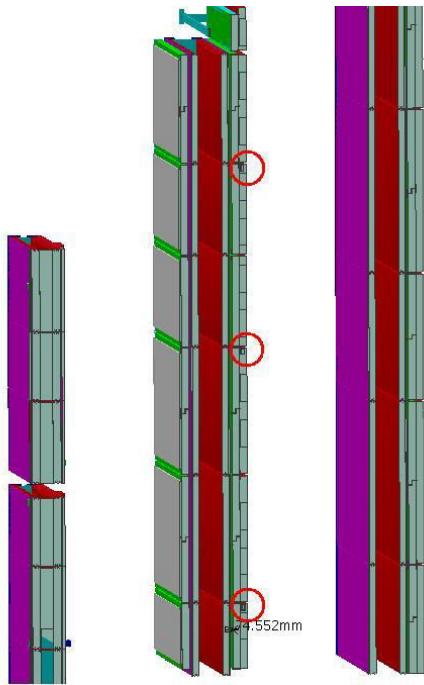


Clash value: ~ 74.5 mm

SIDE C

Sector 1

# Clash View:



# Clash Publish

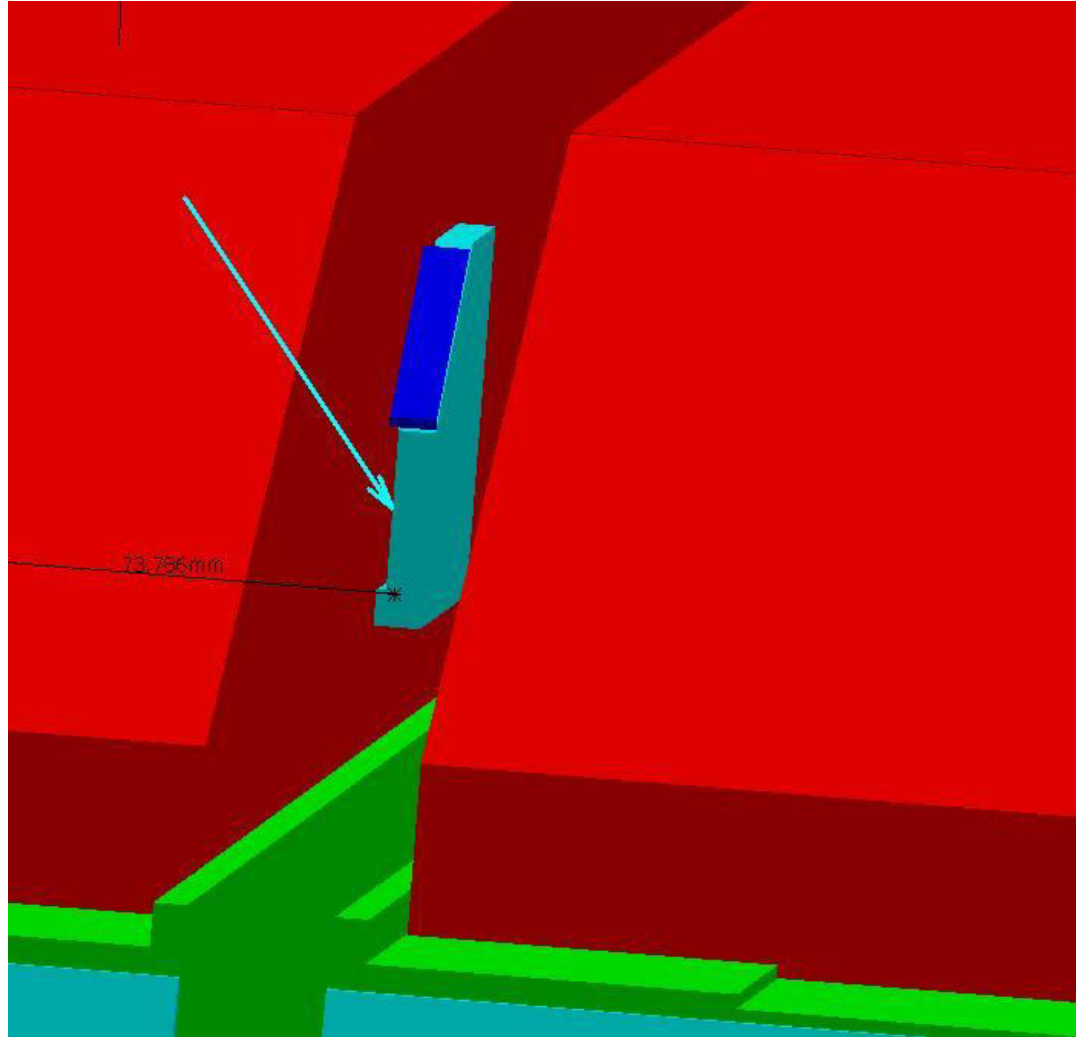
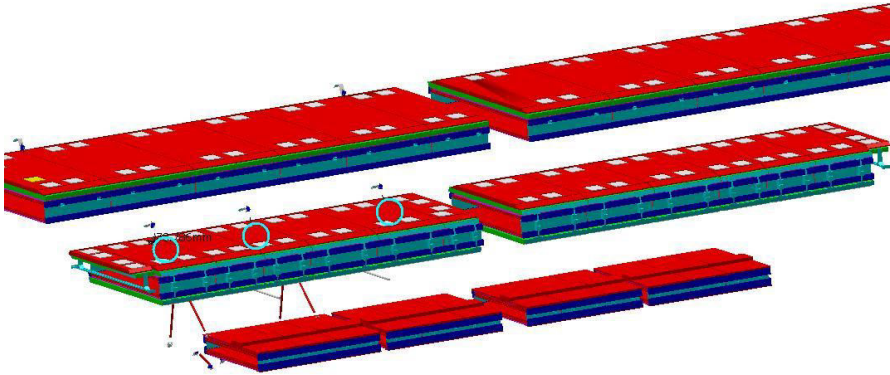


Clash Computation Specification	
Products Selected	
<b>AT602152MQ - MUON BARREL CHAMBERS DETAILED, SECTOR 1</b>	<b>NMA_0018 - SECTOR 16 SIDE C (A) - REFERENCE ALIGNMENT SYSTEM AND – SIDE C</b>

**Computation Result:**



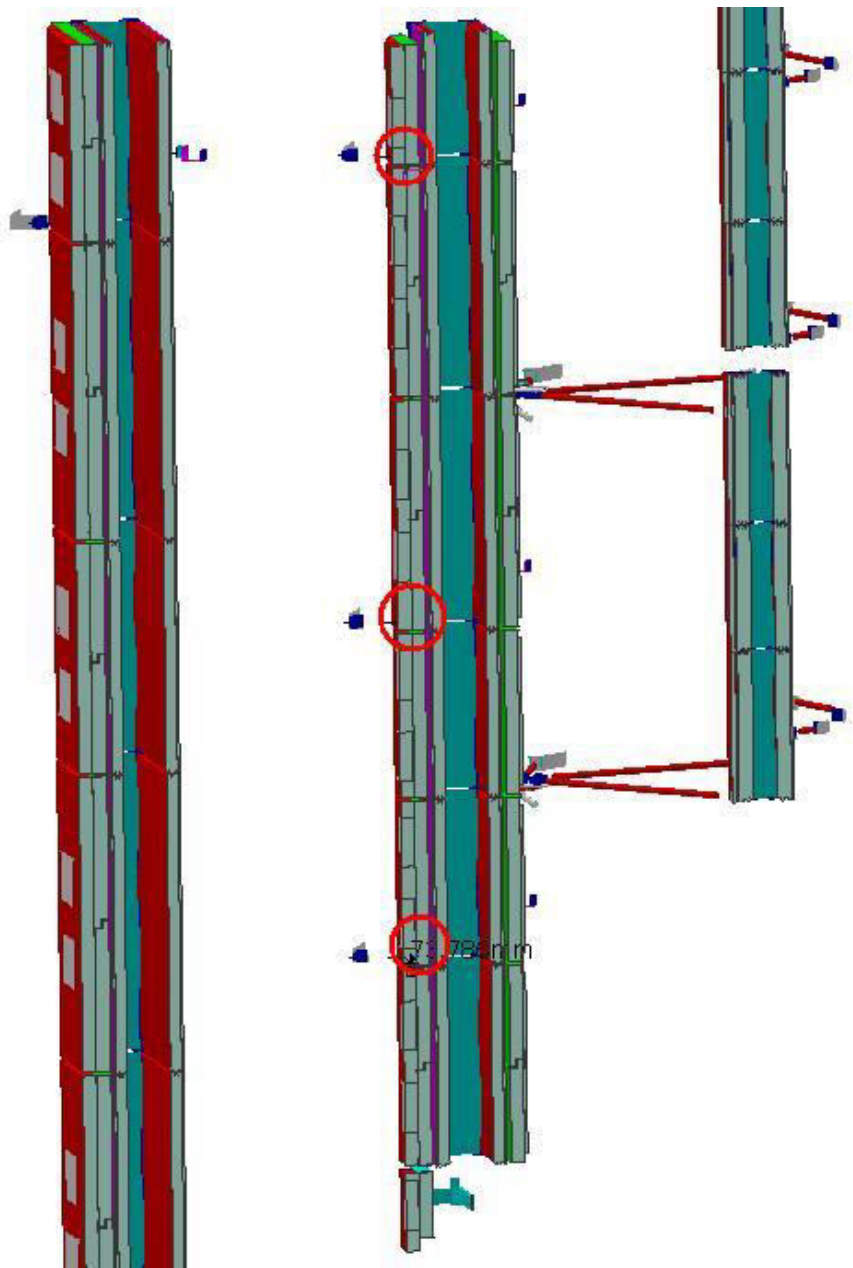
AT602152MQ	NMA__0018	Clash	-73.786	Not inspected
------------	-----------	-------	---------	---------------



Clash value: ~ 73.8 mm

SIDE C

Sector 1



# Clash View:

