

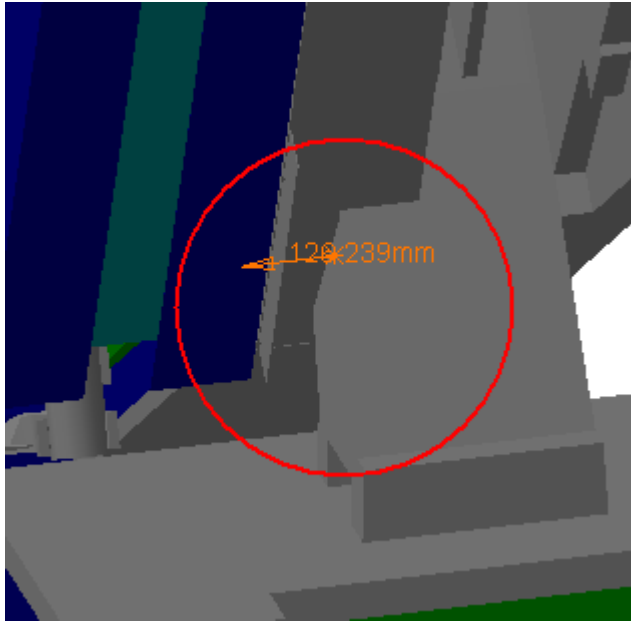
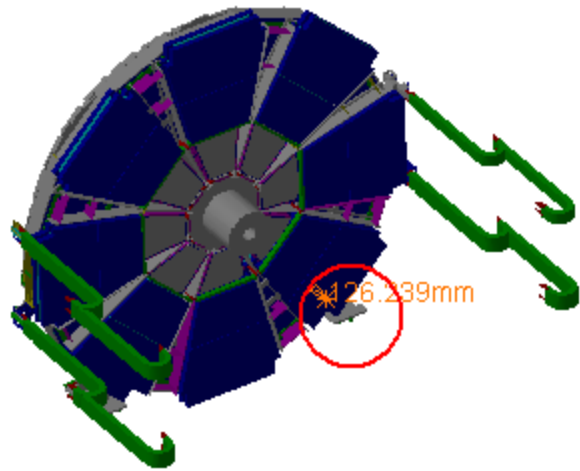
Clash Publish



Clash Computation Specification			
Products Selected			
AT592057 MQ SW outer Chains	ATCNJ_0003 JD SHIELDING (SIDE C) - WITH TGC MUON CHAMBERS	-126.24	Not inspected
	ATCNMA_0010 END CAP ALIGNMENT SIDE "C" - SIMPLE 3-D MODEL.	-29.46	Not inspected
	ATCNSE_0002 FLEXIBLE CHAINS IN SECTOR 9 FOR - LAR END-CAP CALORIMETER	-305.2	Not inspected
	ATCNSE_0008 EXTENDED TILE AIR-PAD CHAIN - IN DIFFERENT POSITIONS	-197.73	Not inspected
	ATCZ5_0001 Z5 GLOBAL ENVELOPE (SIDE C) - AND LOCATION INTERFACES UNDER CONSTRUCTION	---	---

Computation Result:

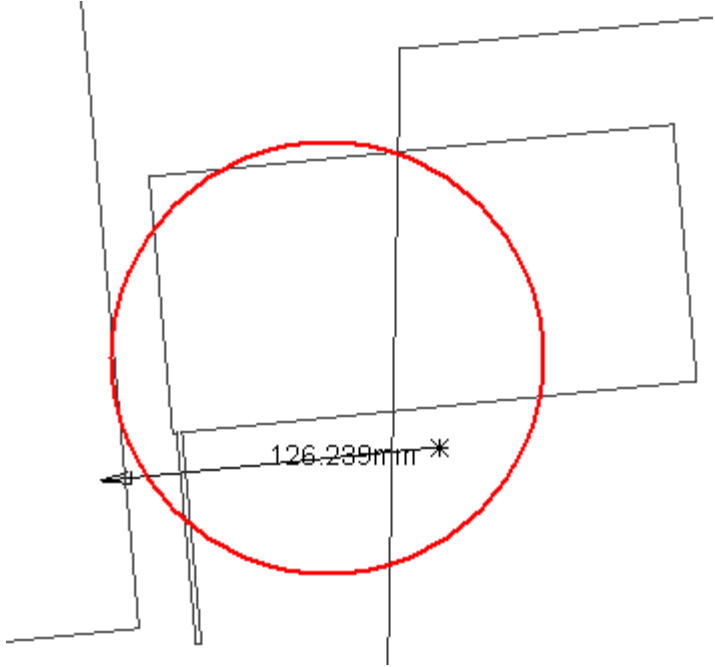
AT592057 MQ SW outer Chains	ATCNJ_0003 JD SHIELDING (SIDE C) - WITH TGC MUON CHAMBERS	Clash	-126.24mm	Not inspected
-----------------------------	---	-------	-----------	---------------



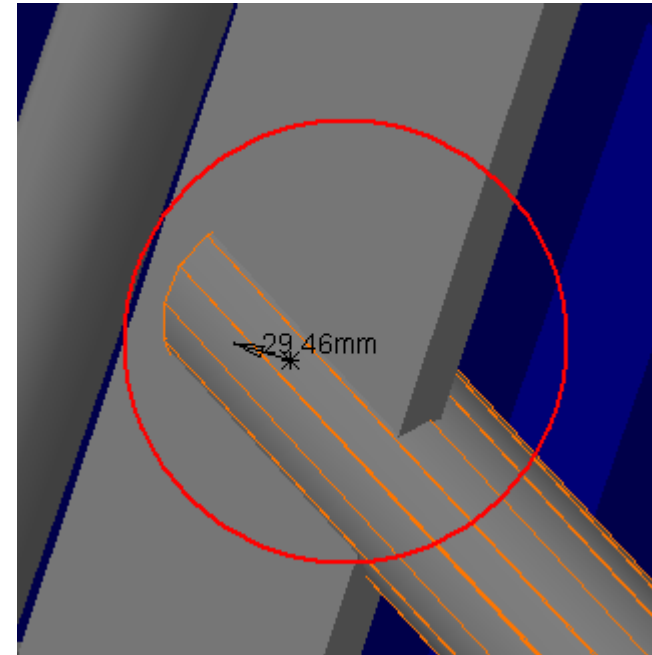
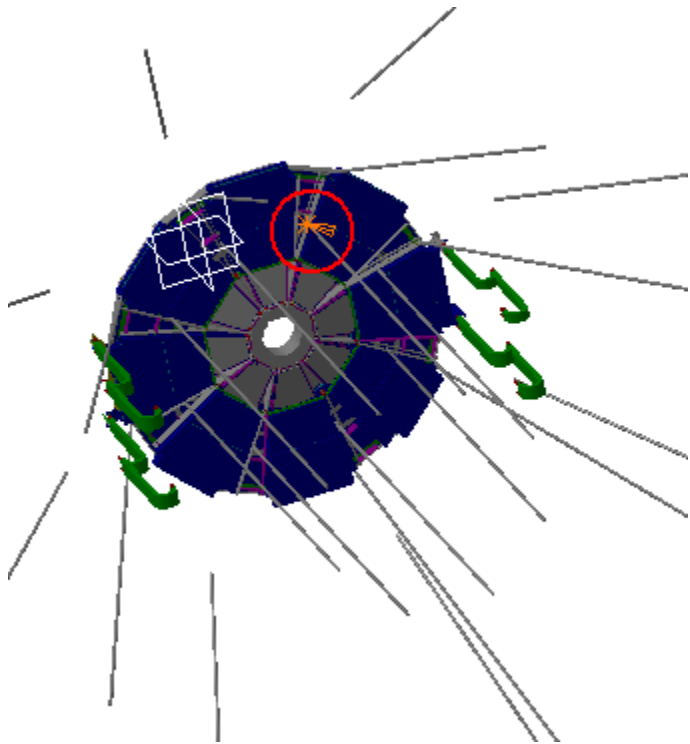
Side C

Sector 11

Clash View 1:

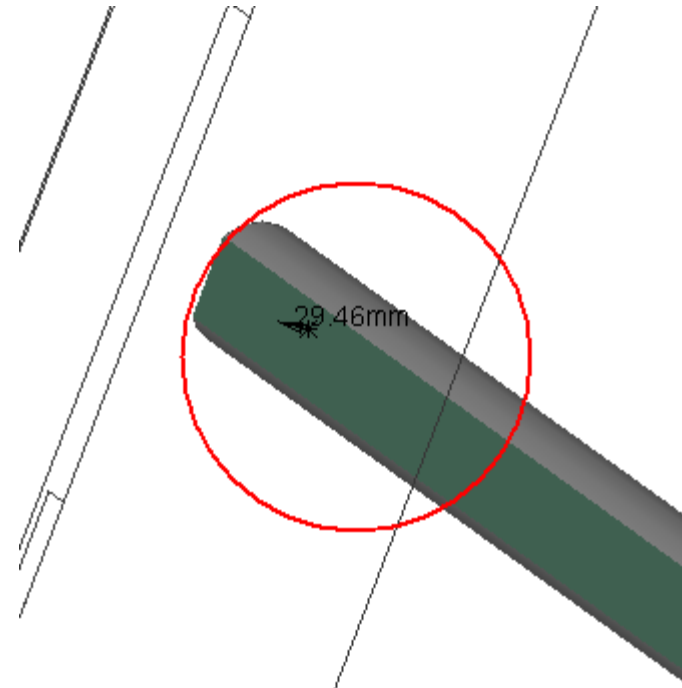
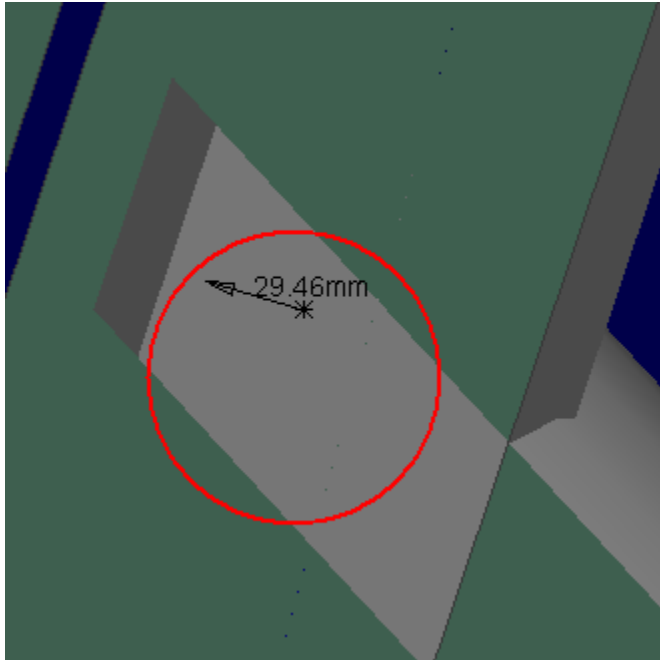


AT592057 MQ SW outer Chains	ATCNMA_0010 END CAP ALIGNMENT SIDE "C" - SIMPLE 3-D MODEL.	Clash	-29.46mm	Not inspected
-----------------------------	--	-------	----------	---------------

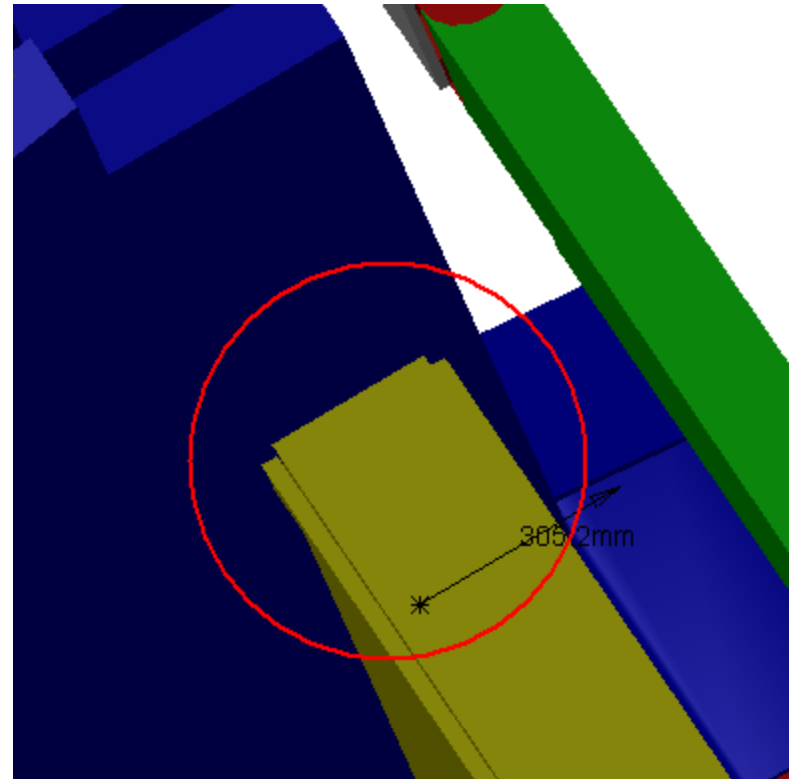
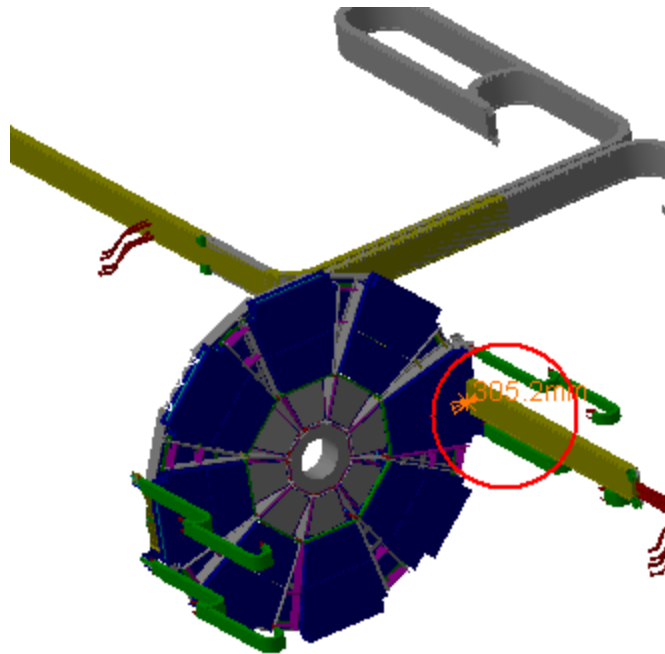


Side C
Sector 6

Clash View 1:

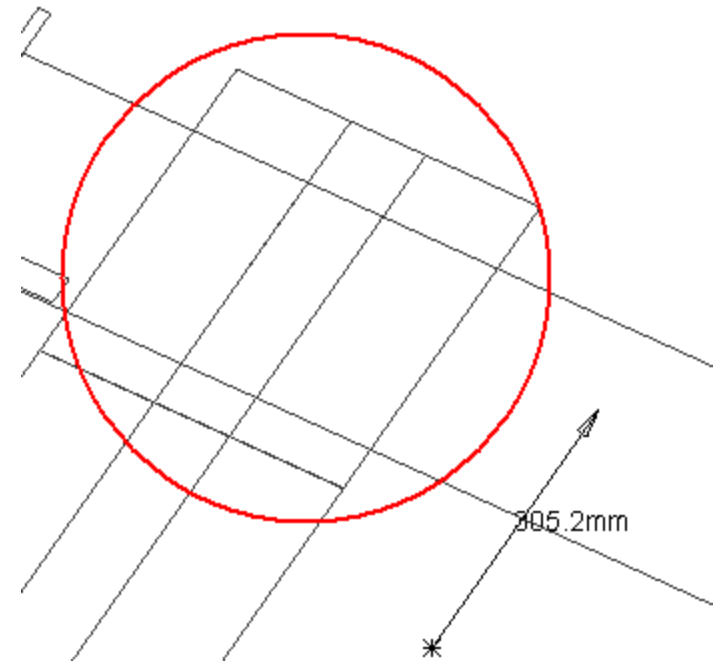
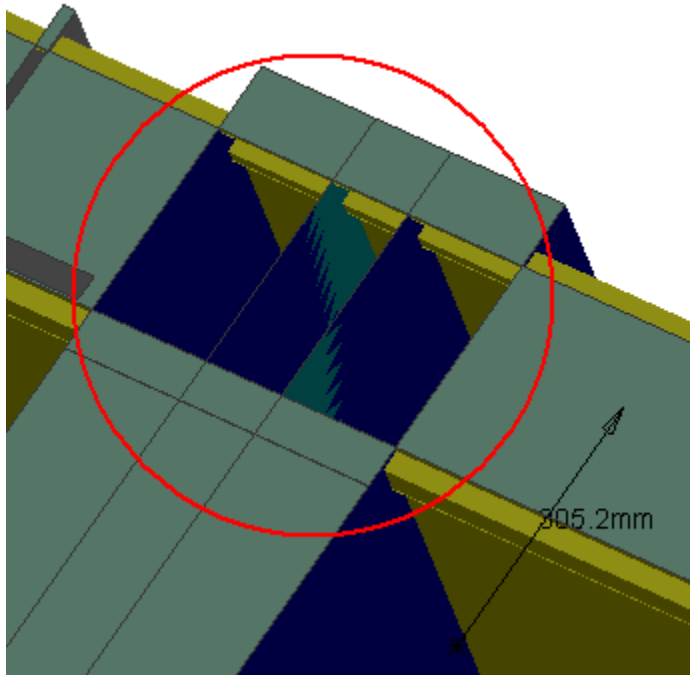


AT592057 MQ SW outer Chains	ATCNSE_0002 FLEXIBLE CHAINS IN SECTOR 9 FOR - LAR END-CAP CALORIMETER	Clash	-305.2mm	Not inspected
-----------------------------	---	-------	----------	---------------

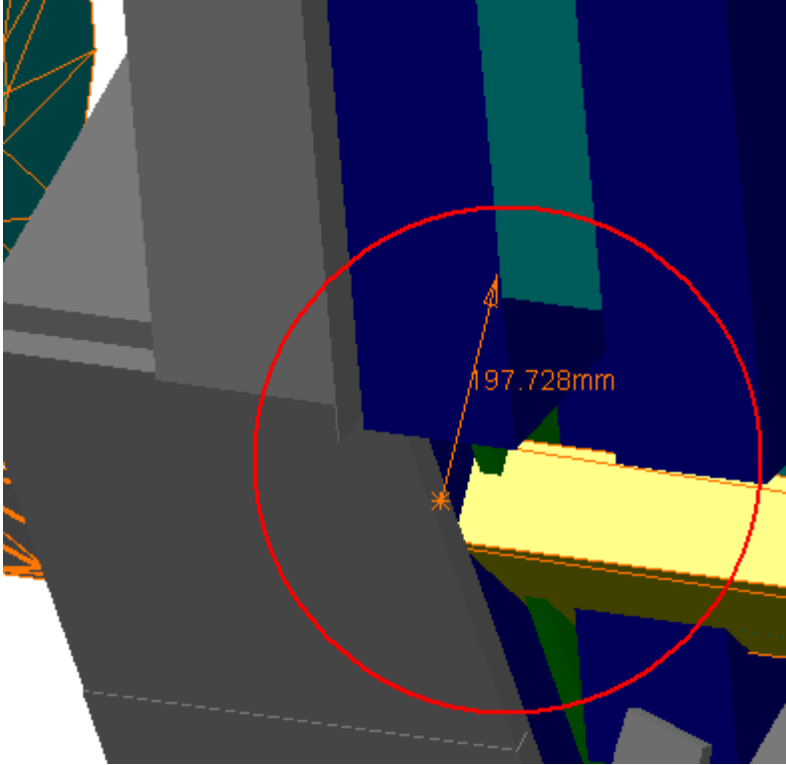
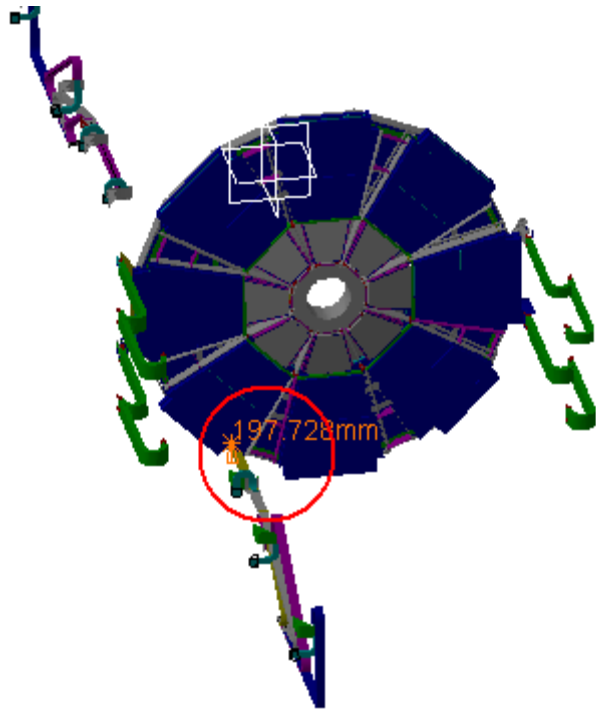


Side C
Sector 9

Clash View 1:



AT592057 MQ SW outer Chains	ATCNSE_0008 EXTENDED TILE AIR-PAD CHAIN - IN DIFFERENT POSITIONS	Clash	-197.73mm	Not inspected
-----------------------------	--	-------	-----------	---------------



Side C

Sector 14

Clash View 1:

