

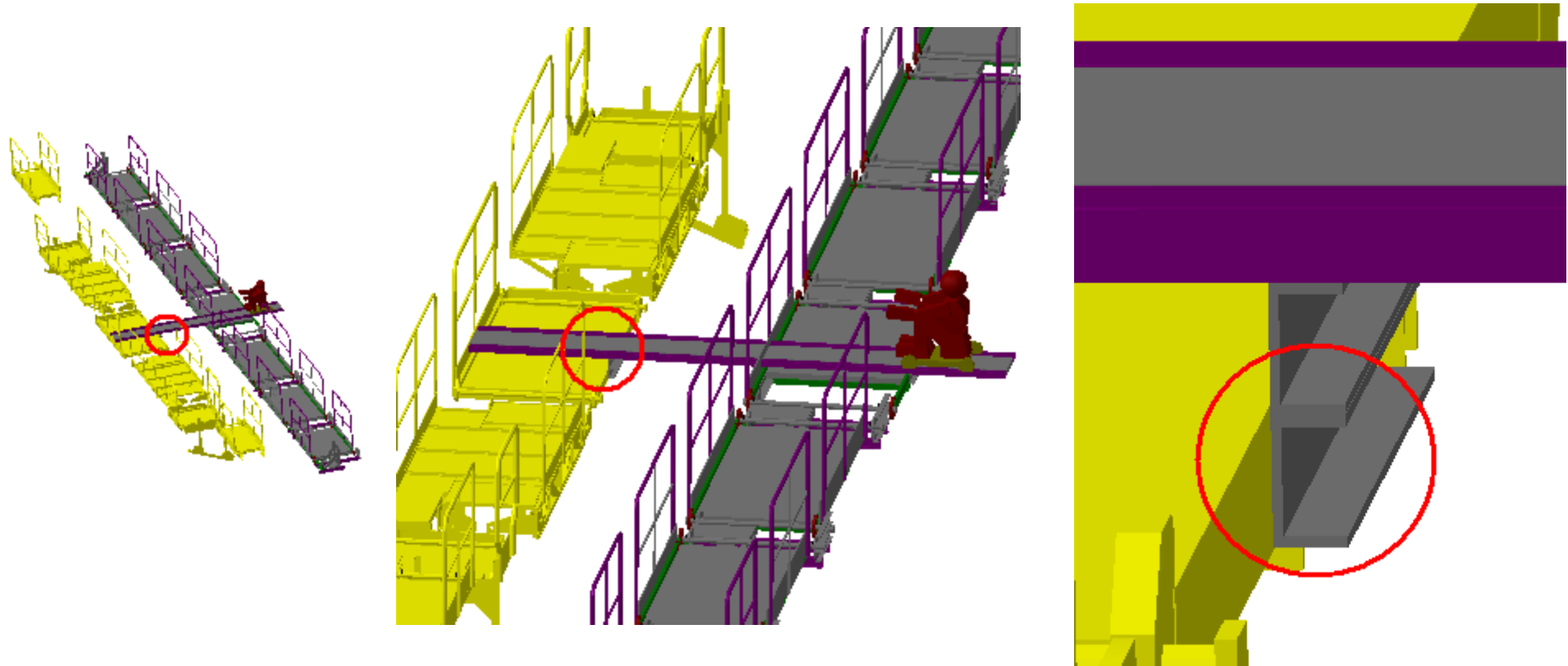
Clearance Publish

Clearance=50mm



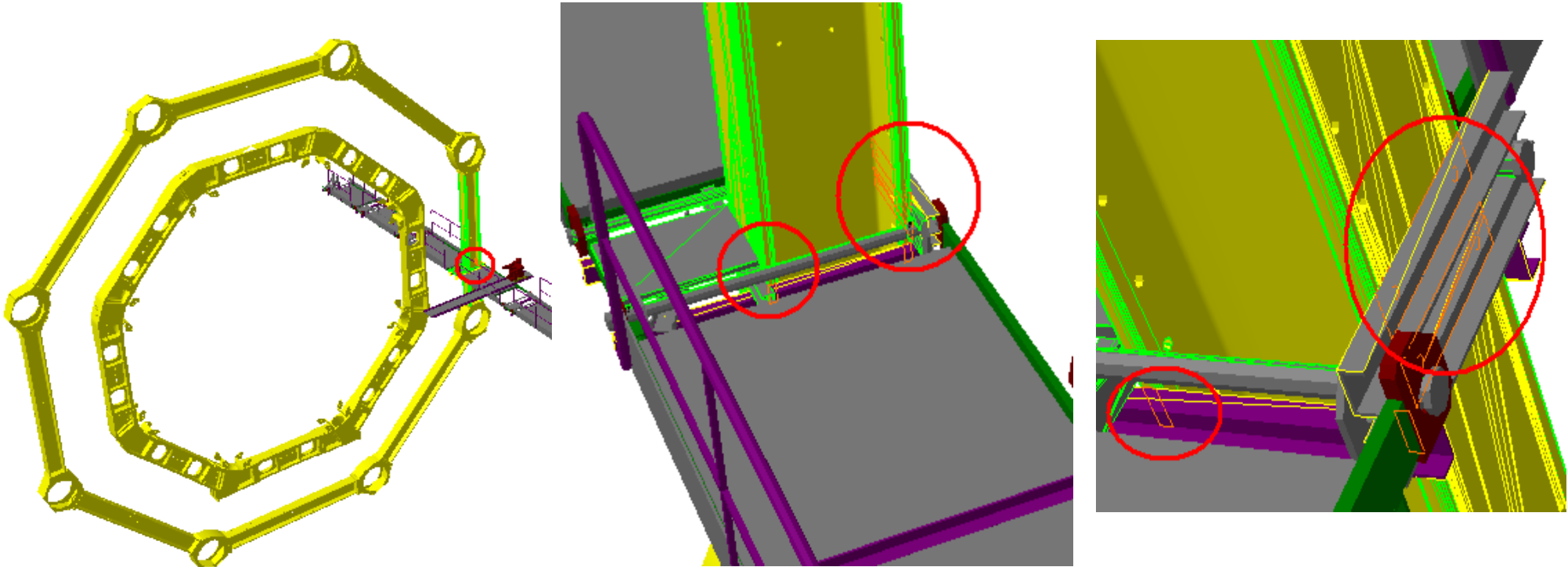
Clearance Computation Specification			
Products Selected			
AT392418MQ-S9 Struct. Platforms Sector 9	AT393419MQ-S9 Voussoir Platforms Sector 9	0	Not inspected
	AT812126MQ TBW Structure	0	Not inspected
	AT812127MQ TBW Structure	0	Not inspected
	AT812128MQ TBW Structure	0	Not inspected

AT392418MQ-S9 Struct. Platforms Sector 9	AT393419MQ-S9 Voussoir Platforms Sector 9	Contact	0mm	Not inspected
---------------------------------------------	-------------------------------------------	---------	-----	---------------



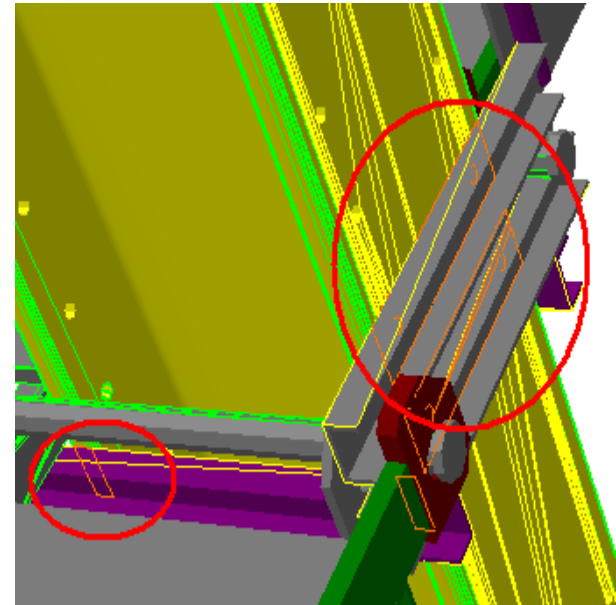
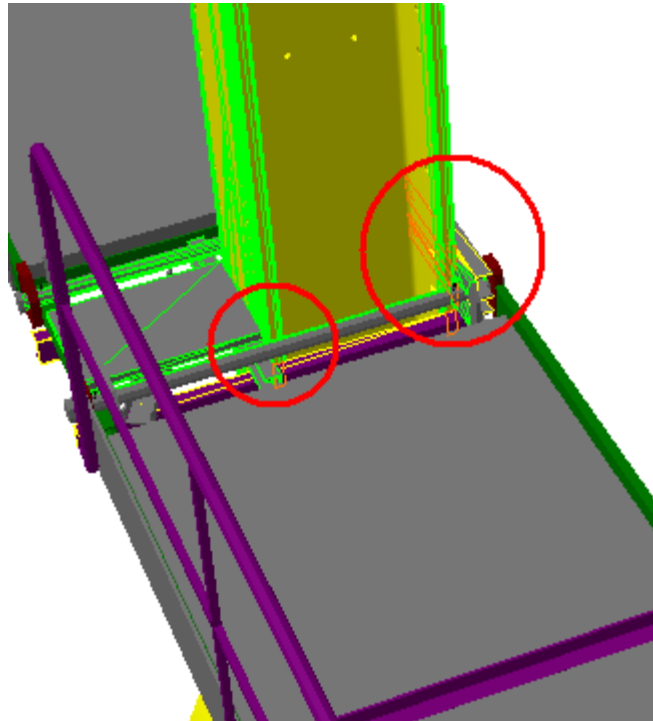
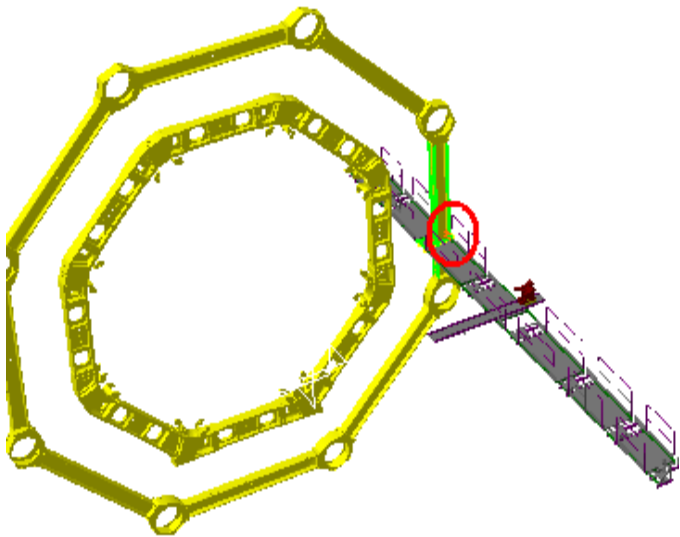
Side A-C
Sector 9

AT392418MQ-S9 Struct. Platforms Sector 9	AT812126MQ TBW Structure	Contact	0mm	Not inspected
---------------------------------------------	--------------------------	---------	-----	---------------



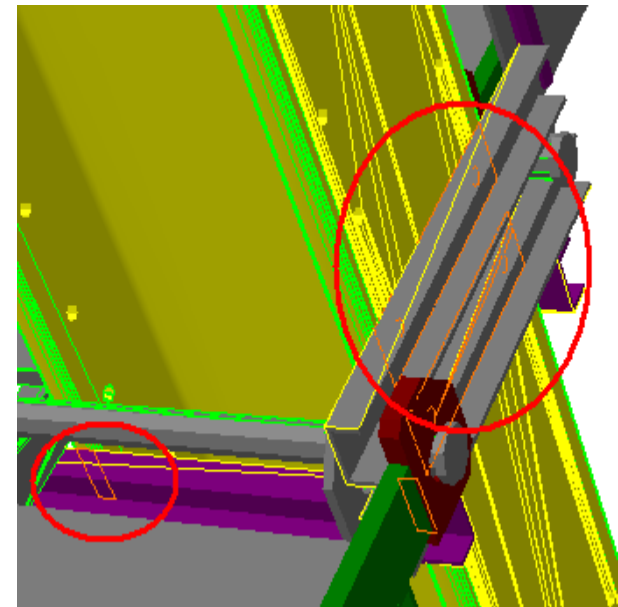
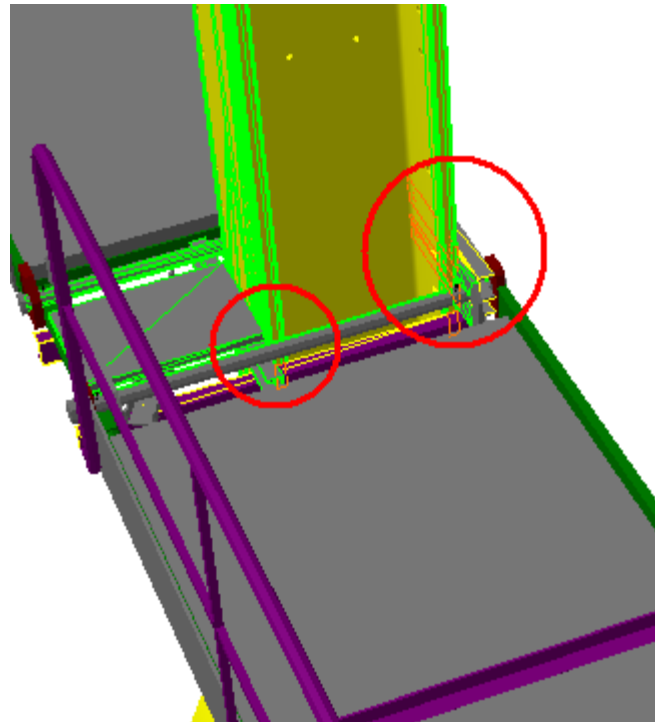
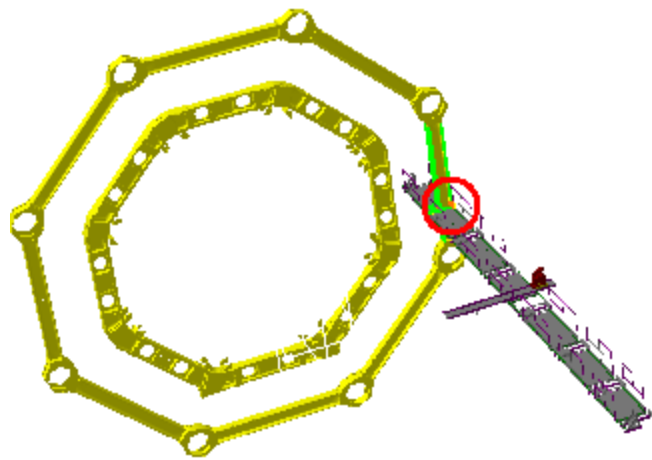
Side A
Sector 9

AT392418MQ-S9 Struct. Platforms Sector 9	AT812127MQ TBW Structure	Contact	0mm	Not inspected
---------------------------------------------	--------------------------	---------	-----	---------------



Side A
Sector 9

AT392418MQ-S9 Struct. Platforms Sector 9	AT812128MQ TBW Structure	Contact	0mm	Not inspected
---------------------------------------------	--------------------------	---------	-----	---------------



Side A
Sector 9