

# Clash Publish



Clash Computation Specification			
Products Selected			
AT392418MQ-S9 Struct. Platforms Sector 9	ATCNSE_0002 FLEXIBLE CHAINS IN SECTOR 9 FOR - LAR END-CAP CALORIMETER	-426.12	Not inspected
	ATCNSE_0011 SUPPORT-STRUCTURE - FOR FLEXIBLE CHAINS IN SECTOR 9	-358.61	Not inspected
	AT812129MQ TBW Structure	-1	Not inspected
	AT812126MQ-M TBW Structure	-0.04	Not inspected
	AT812127MQ-M TBW Structure	-0.04	Not inspected
	AT812128MQ-M TBW Structure	-0.03	Not inspected
	AT812129MQ-M TBW Structure	-1	Not inspected

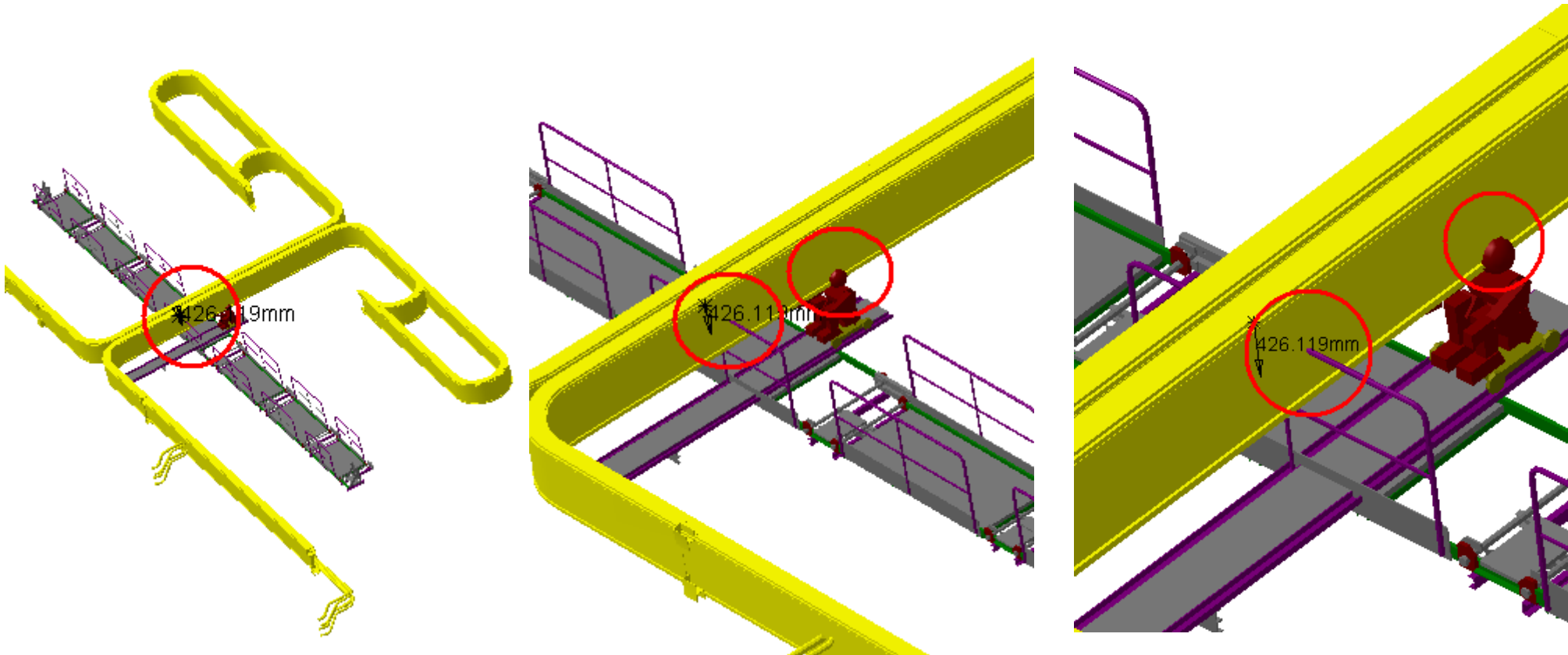
AT392418MQ-S9 Struct. Platforms  
Sector 9

ATCNSE\_0002 FLEXIBLE CHAINS IN SECTOR  
9 FOR - LAR END-CAP CALORIMETER

Clash

-426.12mm

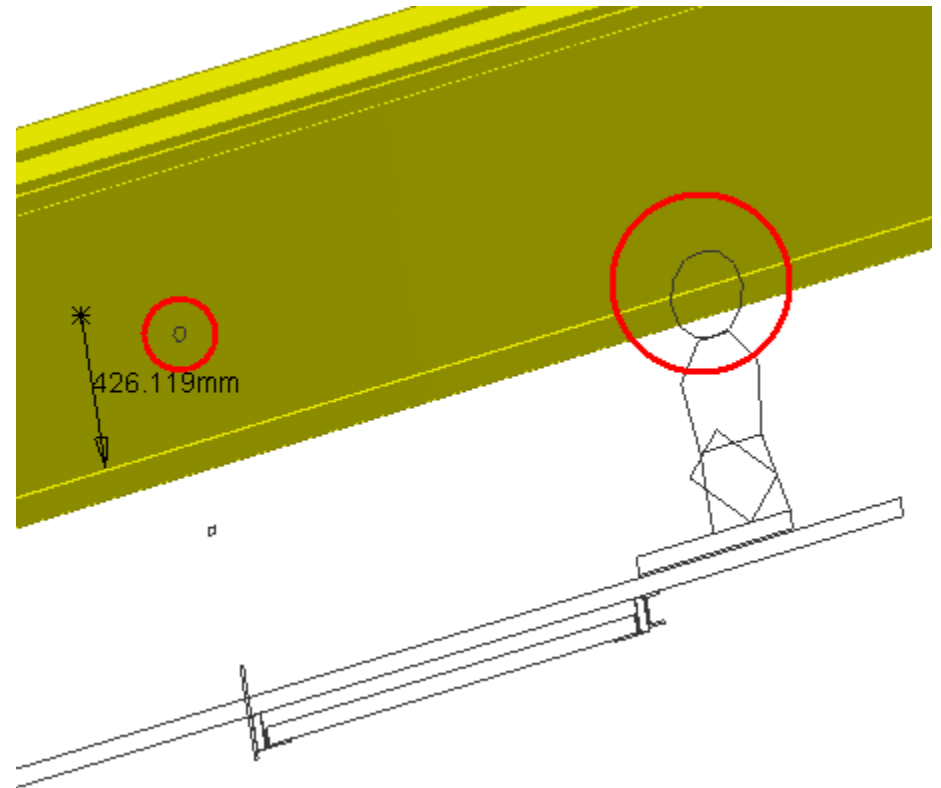
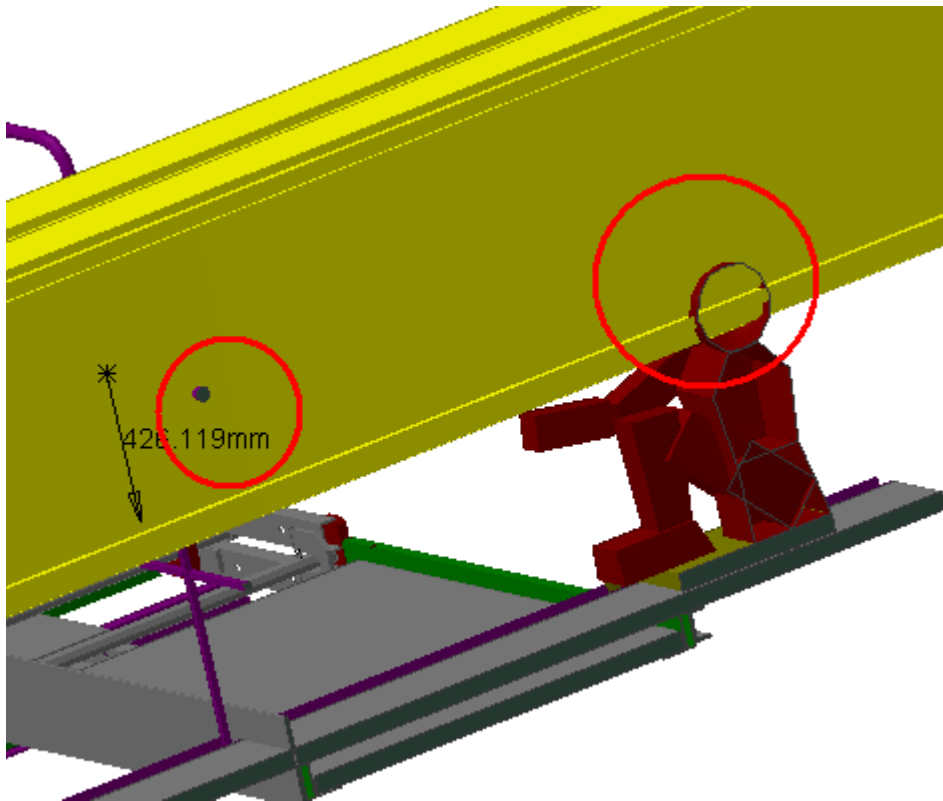
Not inspected



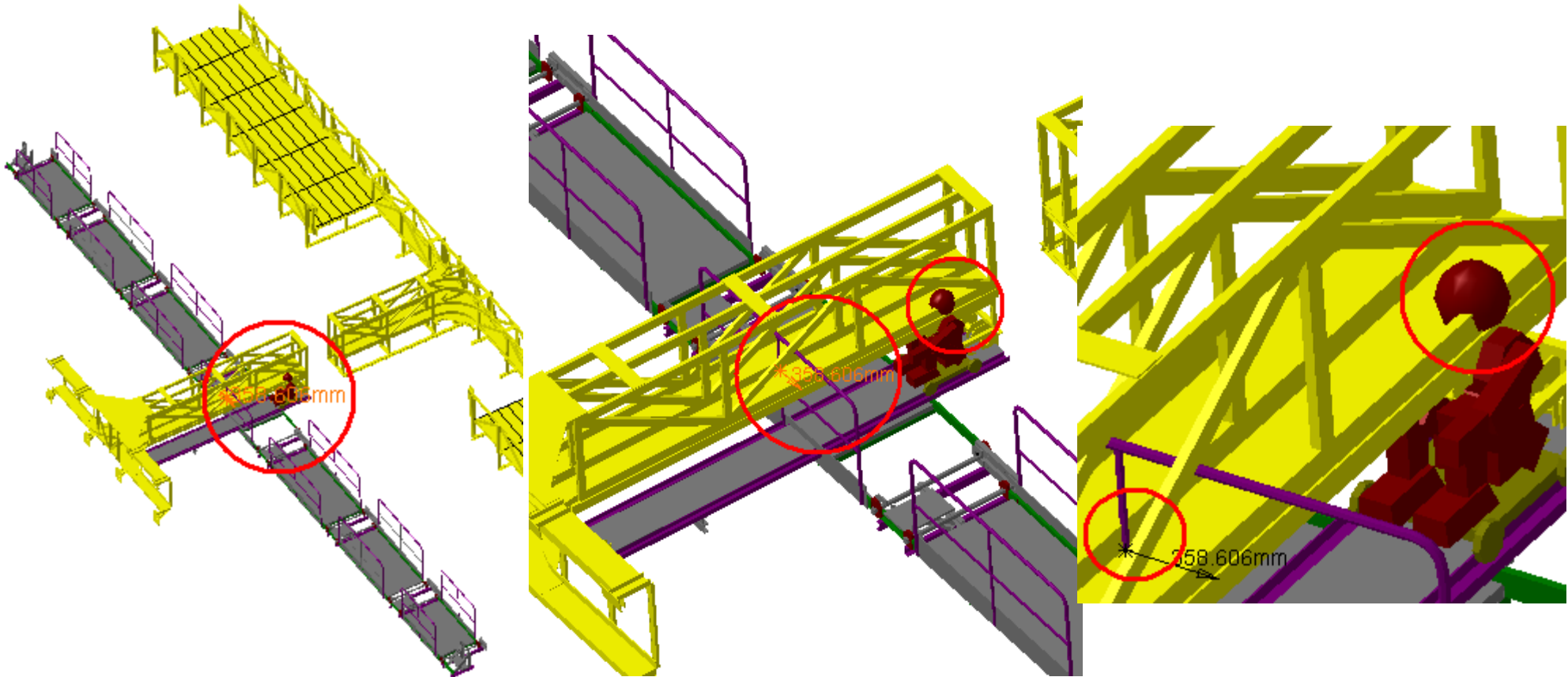
Side A-C

Sector 9

# Clash View 1:

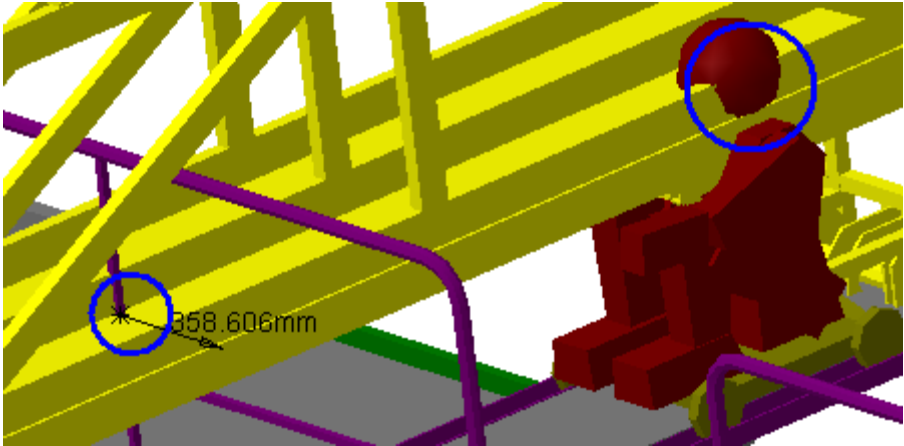
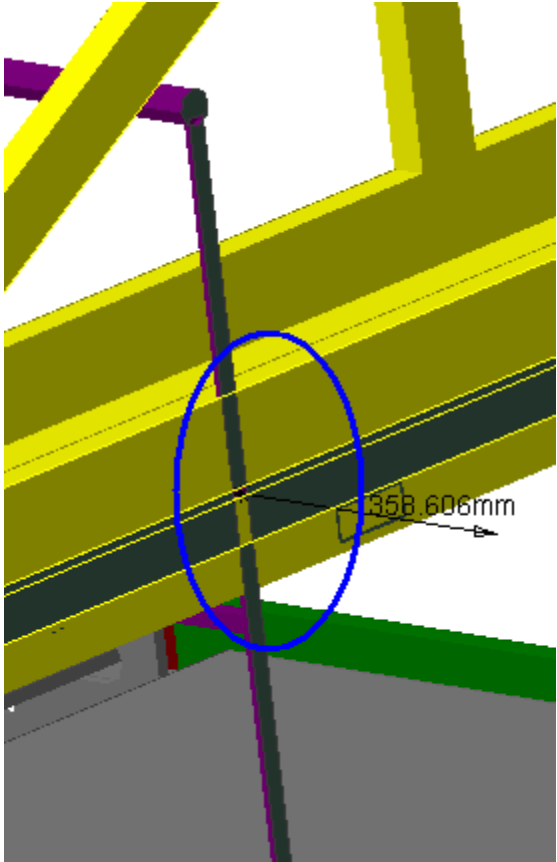
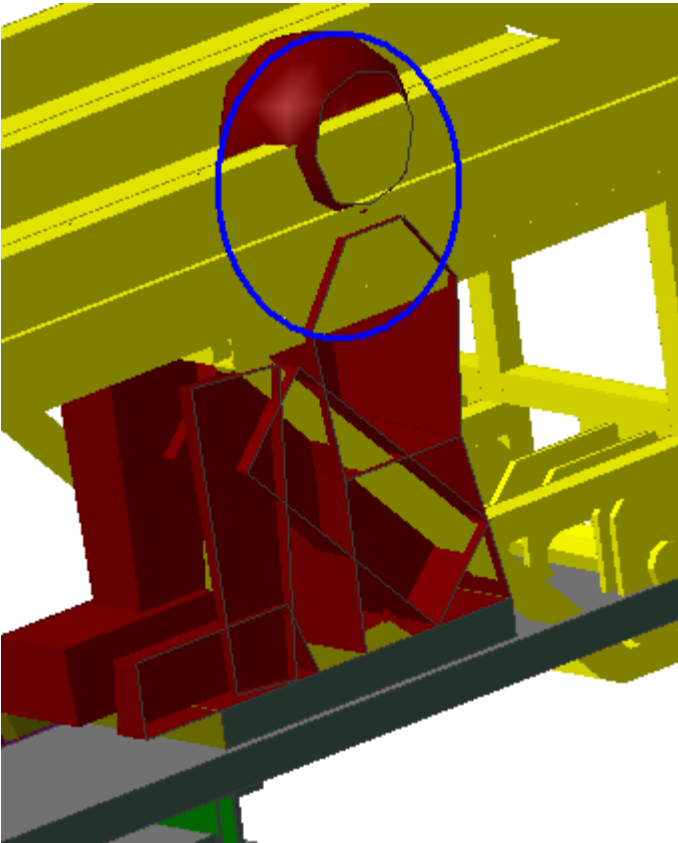


AT392418MQ-S9 Struct. Platforms Sector 9	ATCNSE_0011 SUPPORT-STRUCTURE - FOR FLEXIBLE CHAINS IN SECTOR 9	Clash	-358.61mm	Not inspected
--	---	-------	-----------	---------------

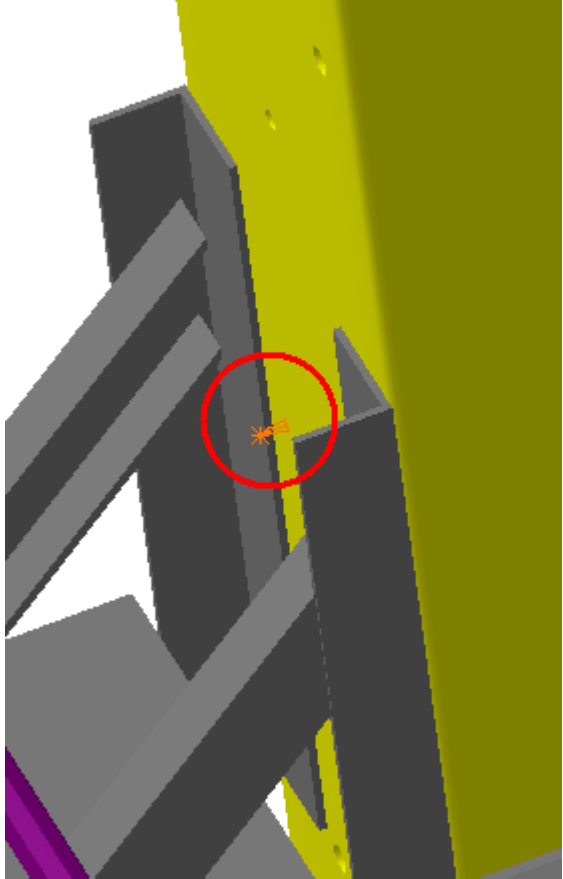
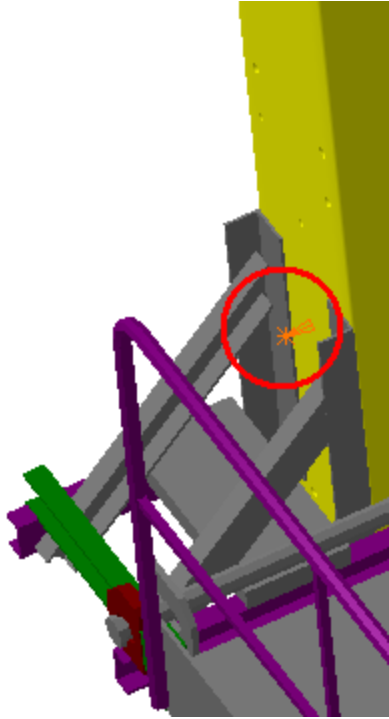
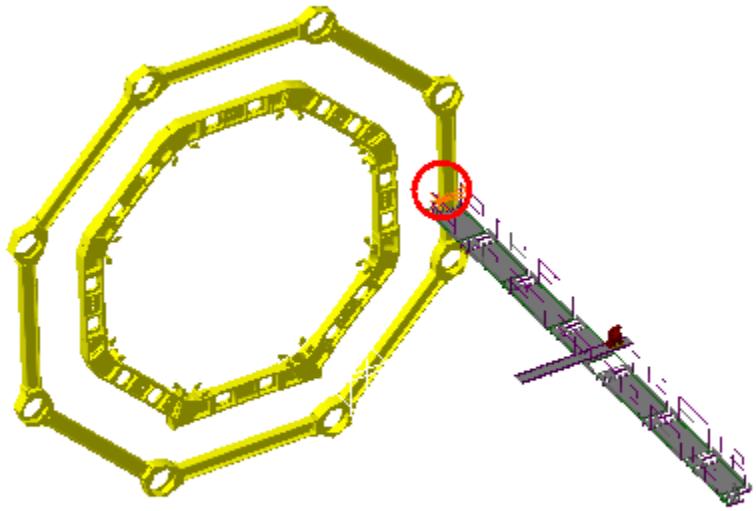


Side A-C  
Sector 9

# Clash View 1:

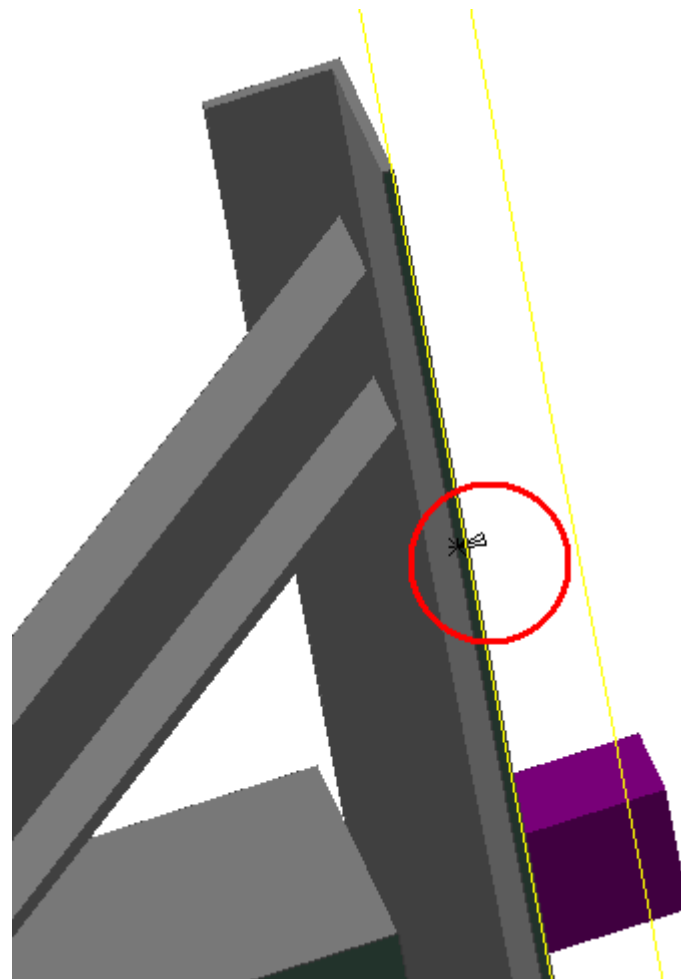
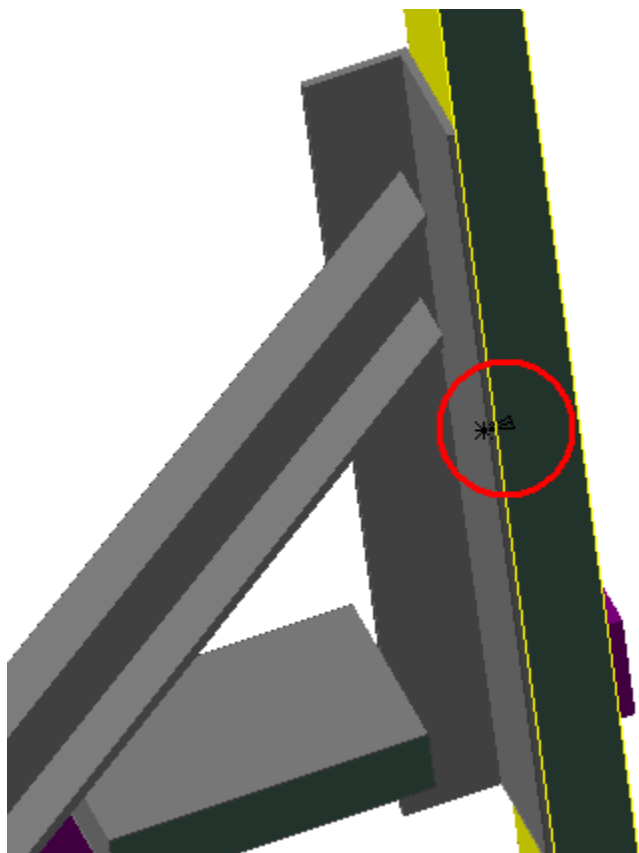


AT392418MQ-S9 Struct. Platforms Sector 9	AT812129MQ TBW Structure	Clash	-1mm	Not inspected
---	--------------------------	-------	------	---------------

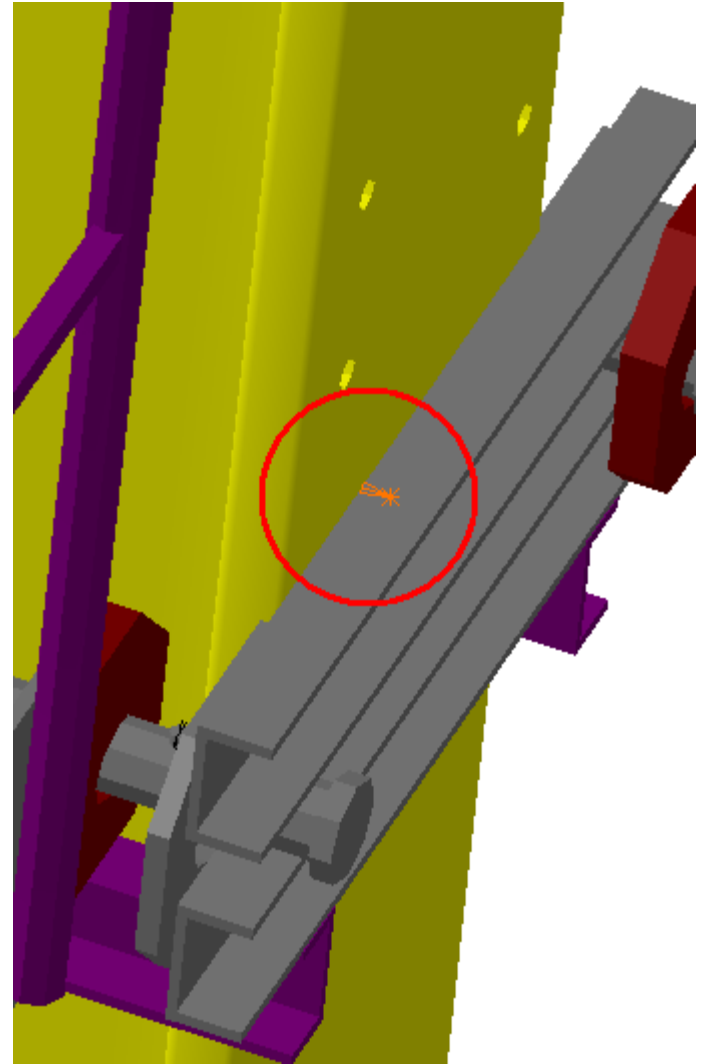
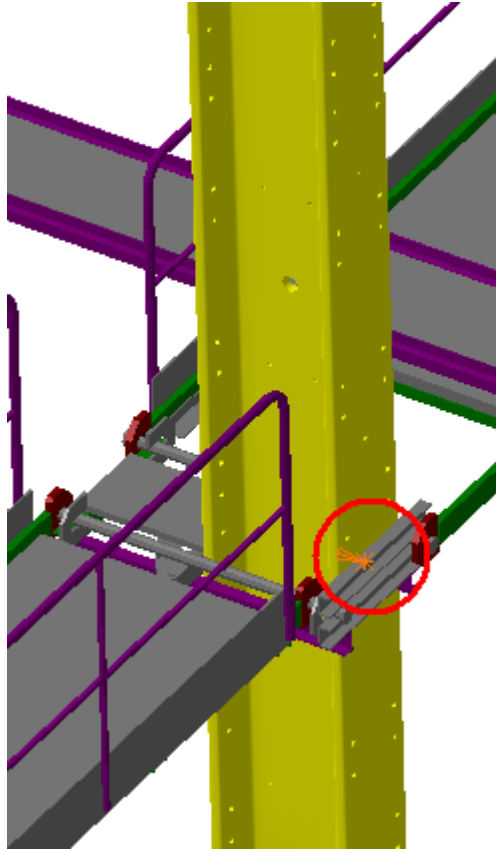
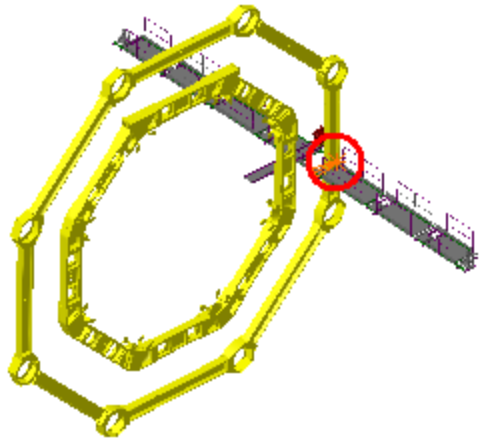


Side A  
Sector 9

# Clash View 1:



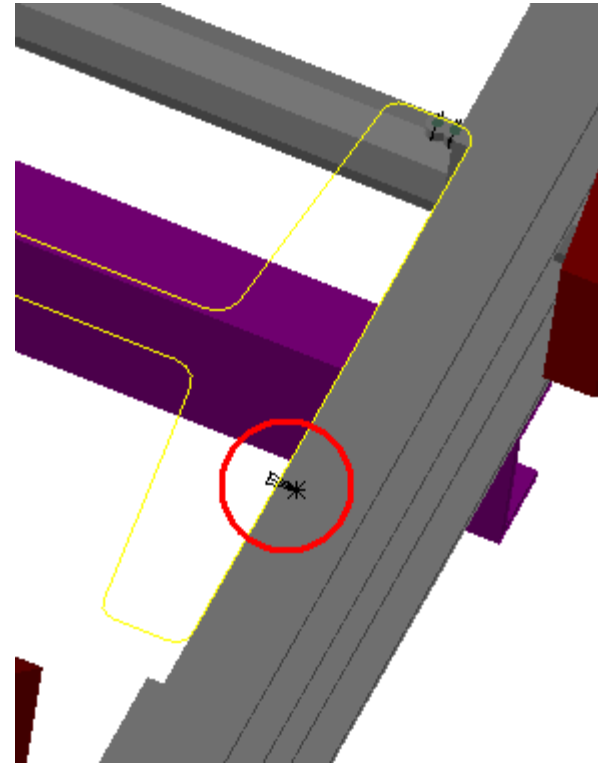
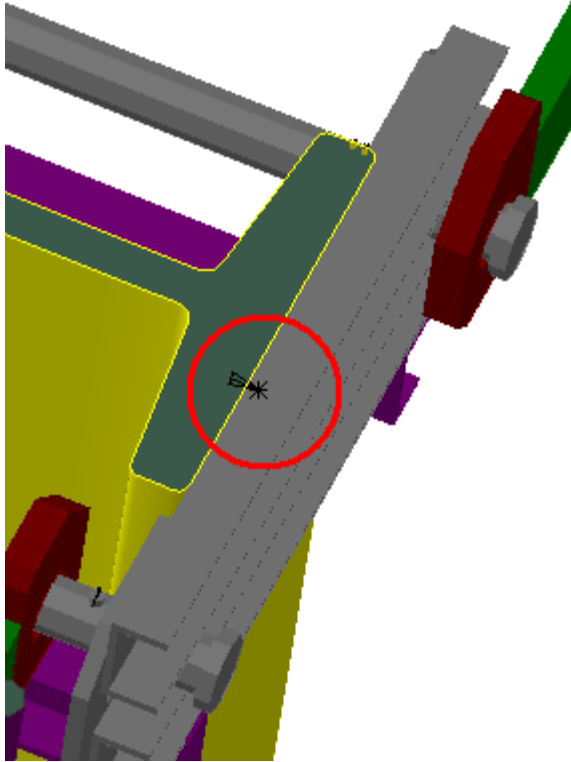
AT392418MQ-S9 Struct. Platforms Sector 9	AT812126MQ-M TBW Structure	Clash	-0.04mm	Not inspected
---	----------------------------	-------	---------	---------------



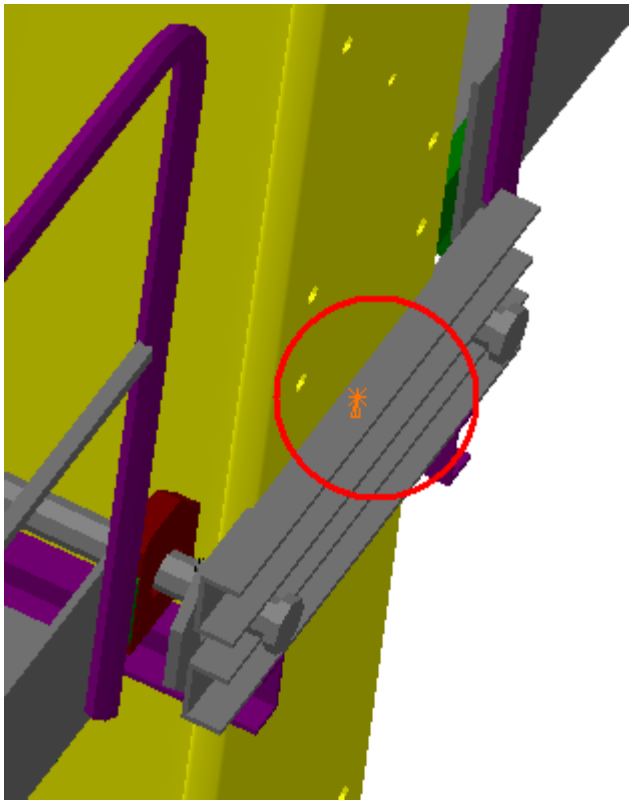
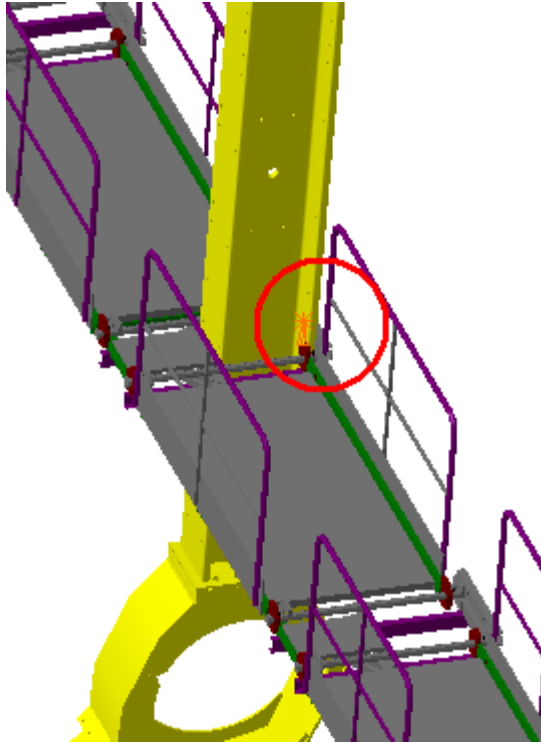
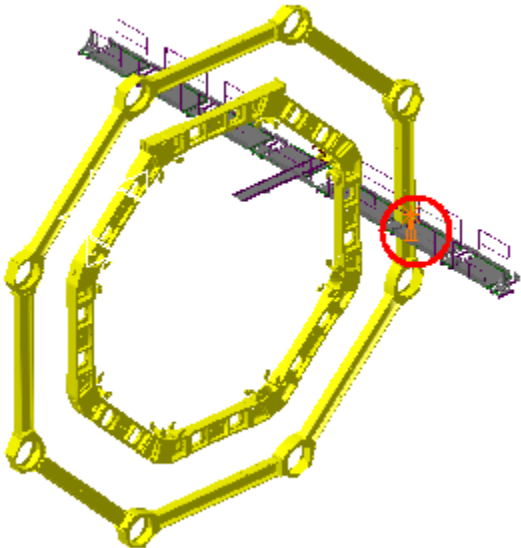
Side C  
Sector 9



# Clash View 1:

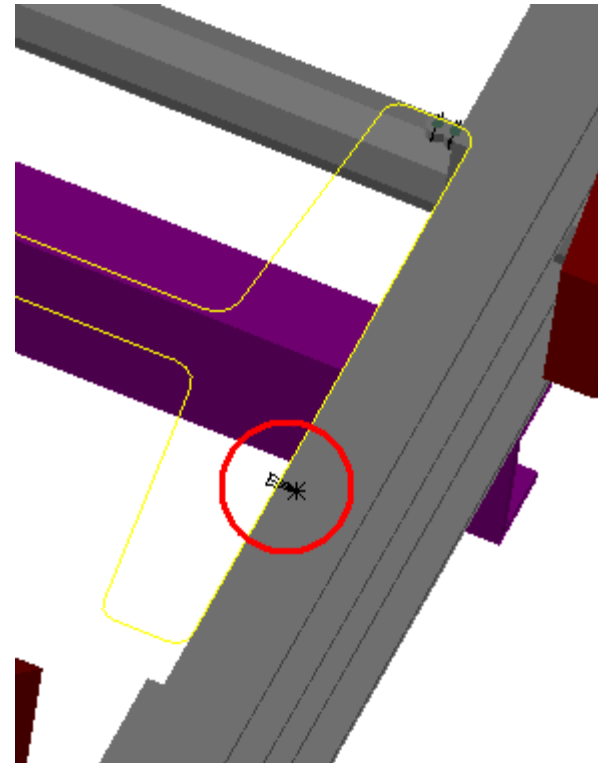
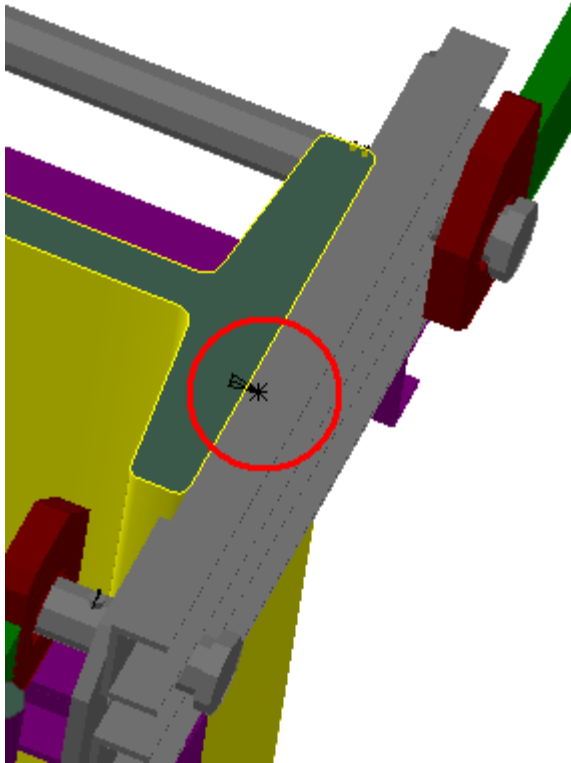


AT392418MQ-S9 Struct. Platforms Sector 9	AT812127MQ-M TBW Structure	Clash	- 0.03mm	Not inspected
---	----------------------------	-------	----------	---------------

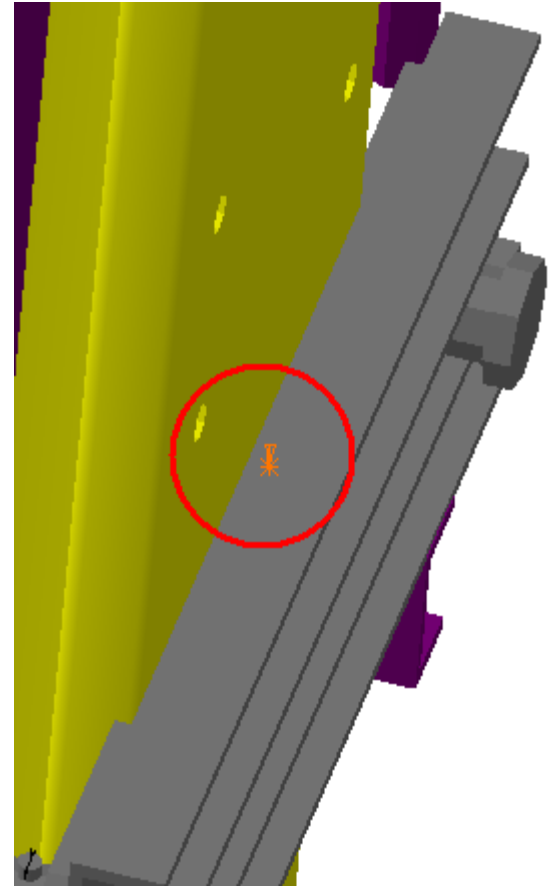
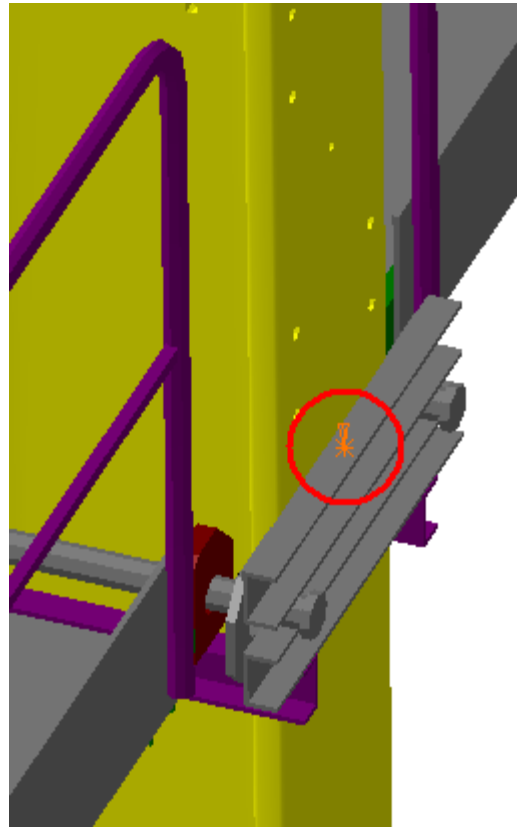
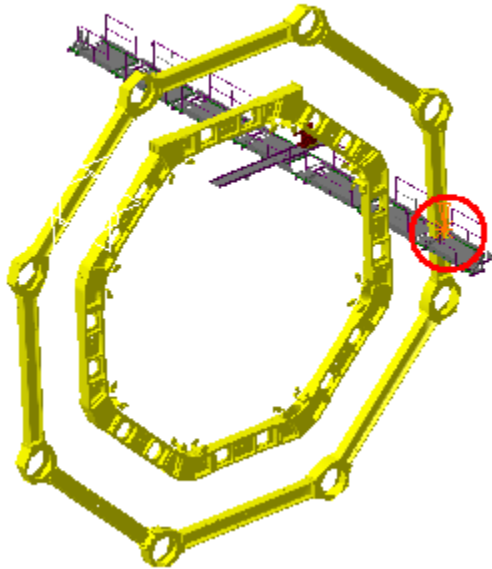


Side C  
Sector 9

# Clash View 1:

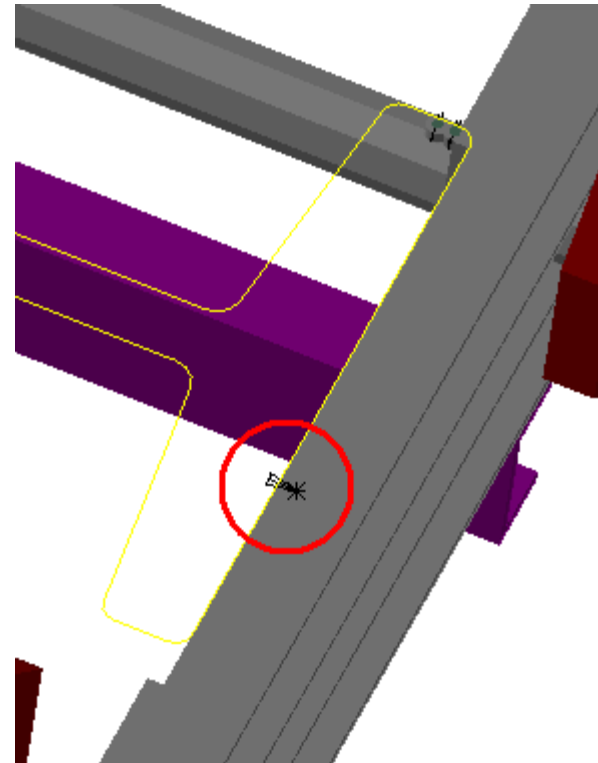
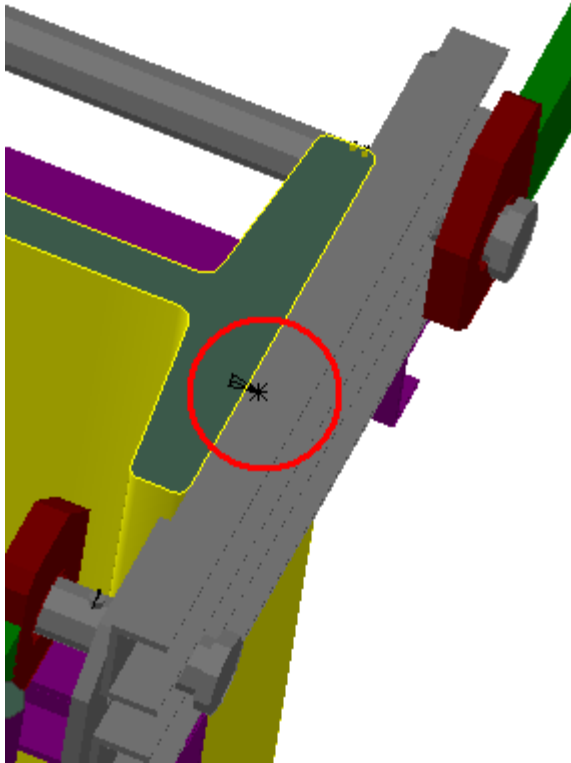


AT392418MQ-S9 Struct. Platforms Sector 9	AT812128MQ-M TBW Structure	Clash	-0.03mm	Not inspected
---	----------------------------	-------	---------	---------------

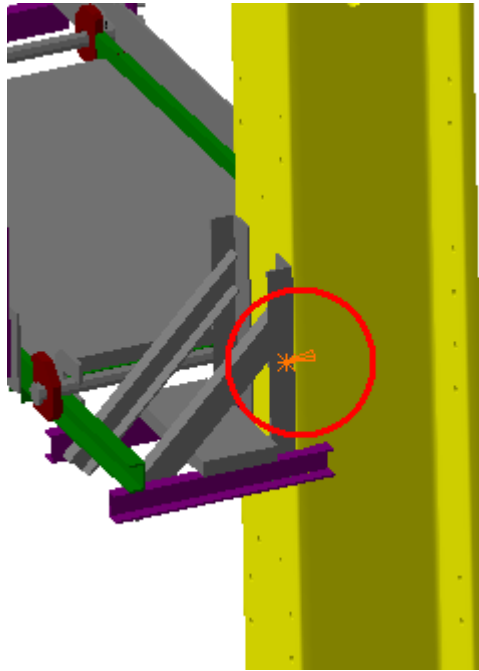
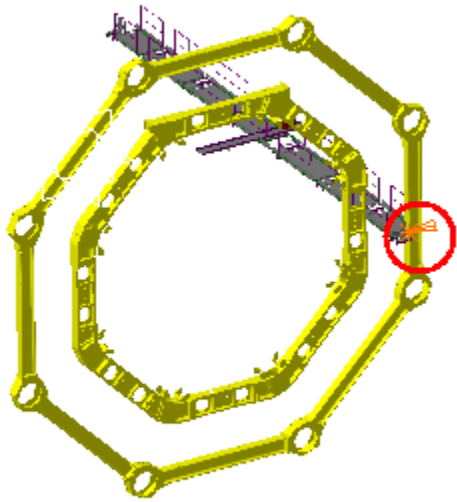


Side C  
Sector 9

# Clash View 1:



AT392418MQ-S9 Struct. Platforms Sector 9	AT812129MQ-M TBW Structure	Clash	-1	Not inspected
---	----------------------------	-------	----	---------------



Side C  
Sector 9

# Clash View 1:

