

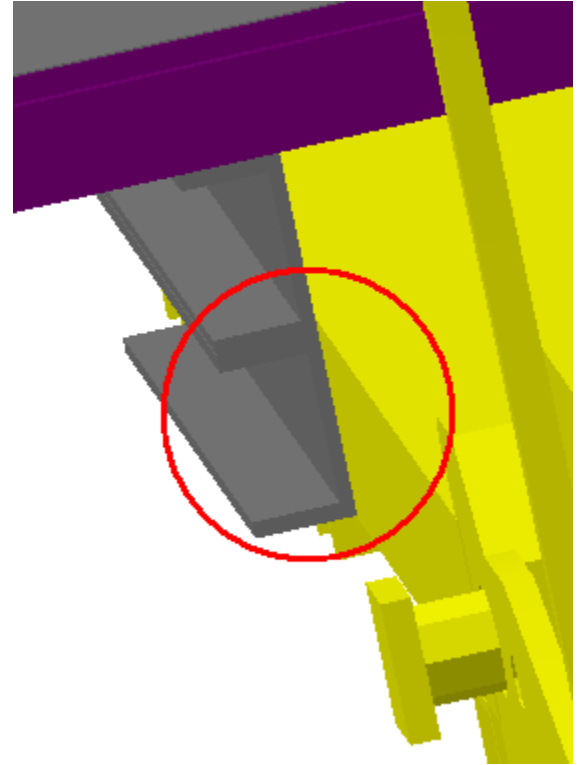
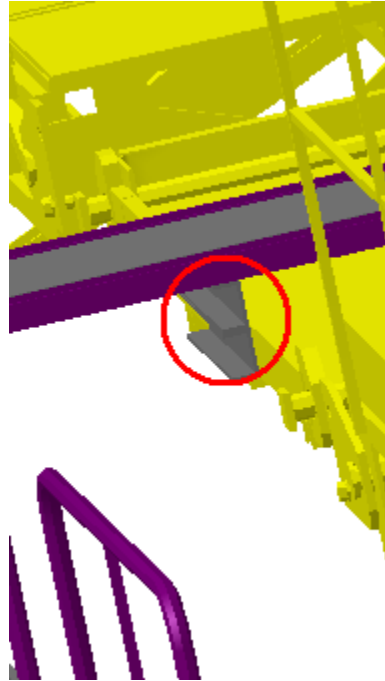
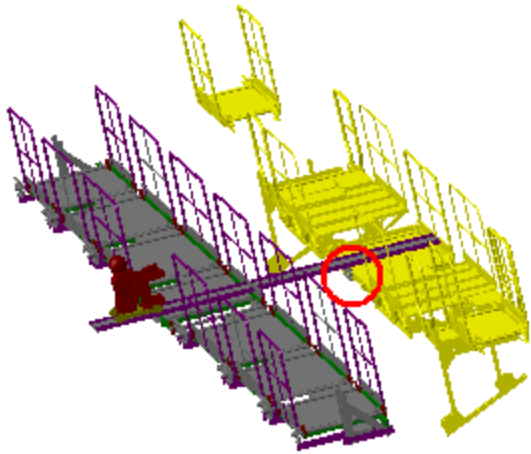
Clearance Publish

Clearance=50mm



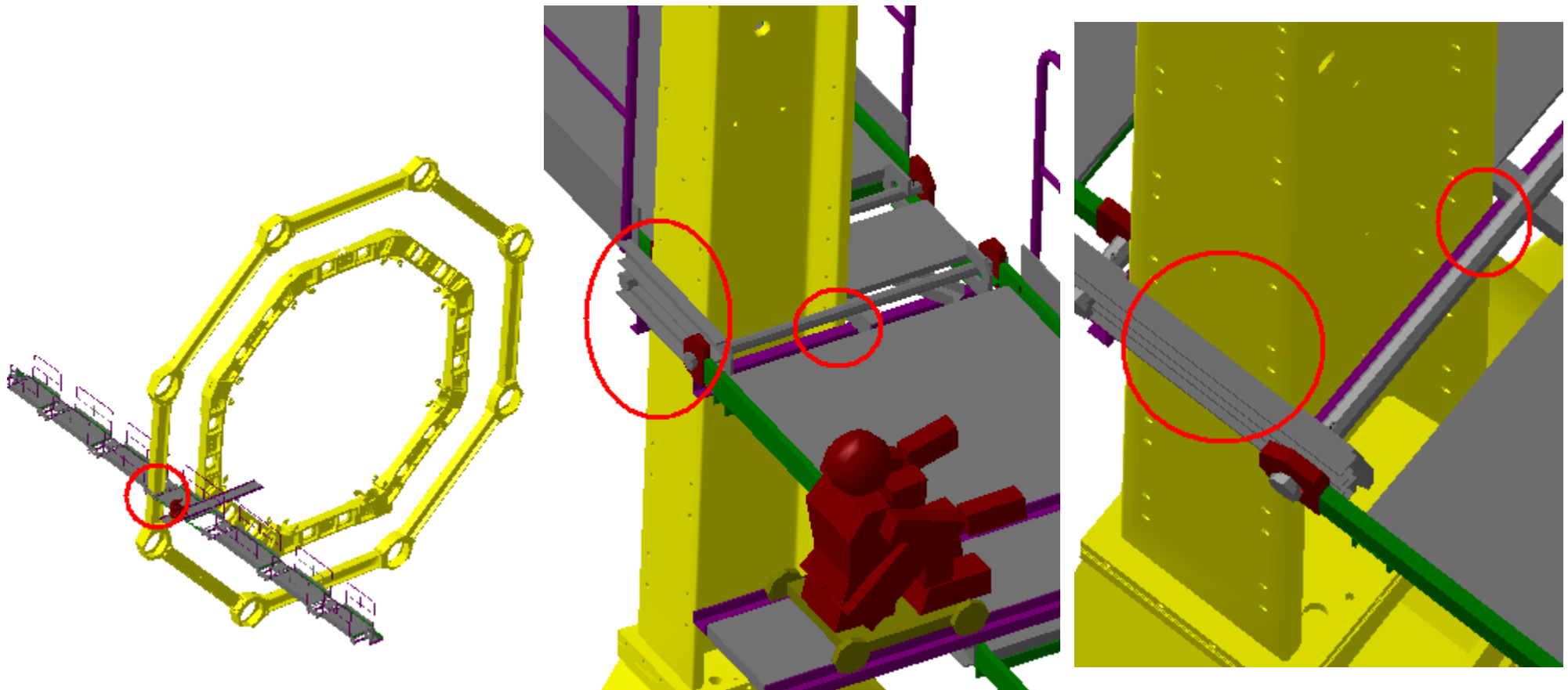
Clearance Computation Specification			
Products Selected			
AT392418MQ Struct. Platforms Sector 1	AT393419MQ Voussoir Platforms Sector 1	0	Not inspected
	AT812126MQ TBW Structure	0	Not inspected
	AT812127MQ TBW Structure	0	Not inspected
	AT812128MQ TBW Structure	0	Not inspected

AT392418MQ Struct. Platforms Sector 1	AT393419MQ Voussoir Platforms Sector 1	Contact	0mm	Not inspected
--	--	---------	-----	---------------



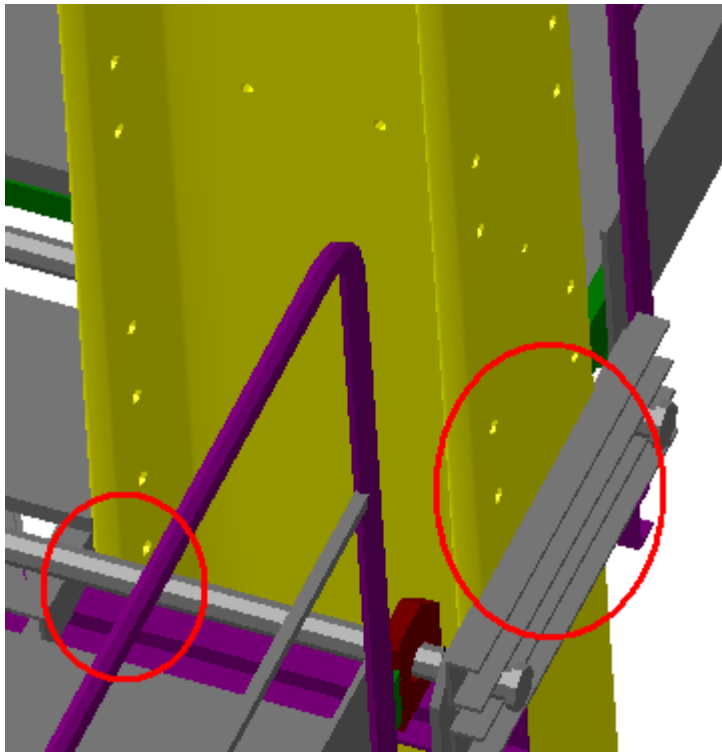
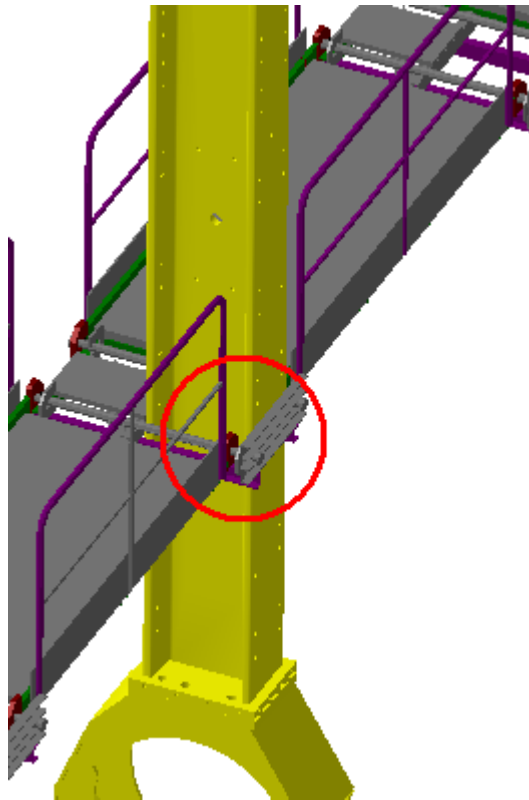
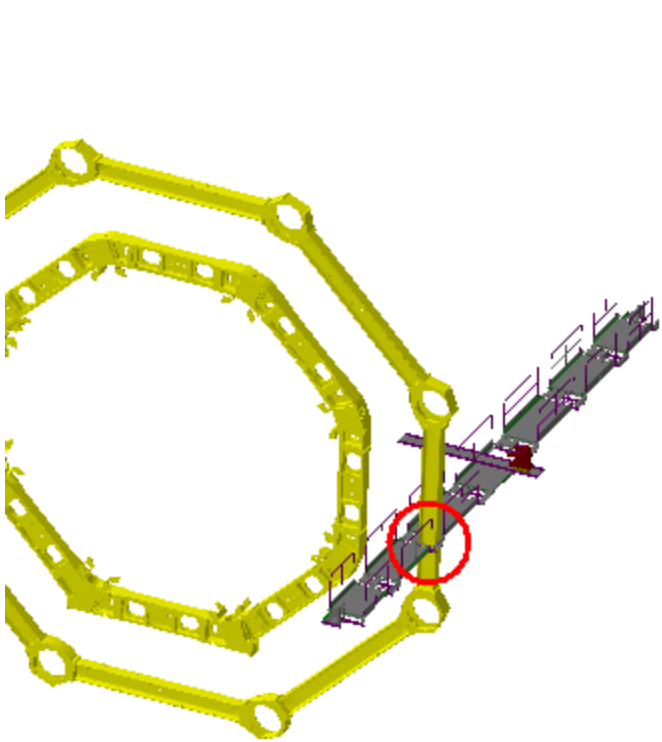
Side C
Sector 1

AT392418MQ Struct. Platforms Sector 1	AT812126MQ TBW Structure	Contact	0mm	Not inspected
--	--------------------------	---------	-----	---------------



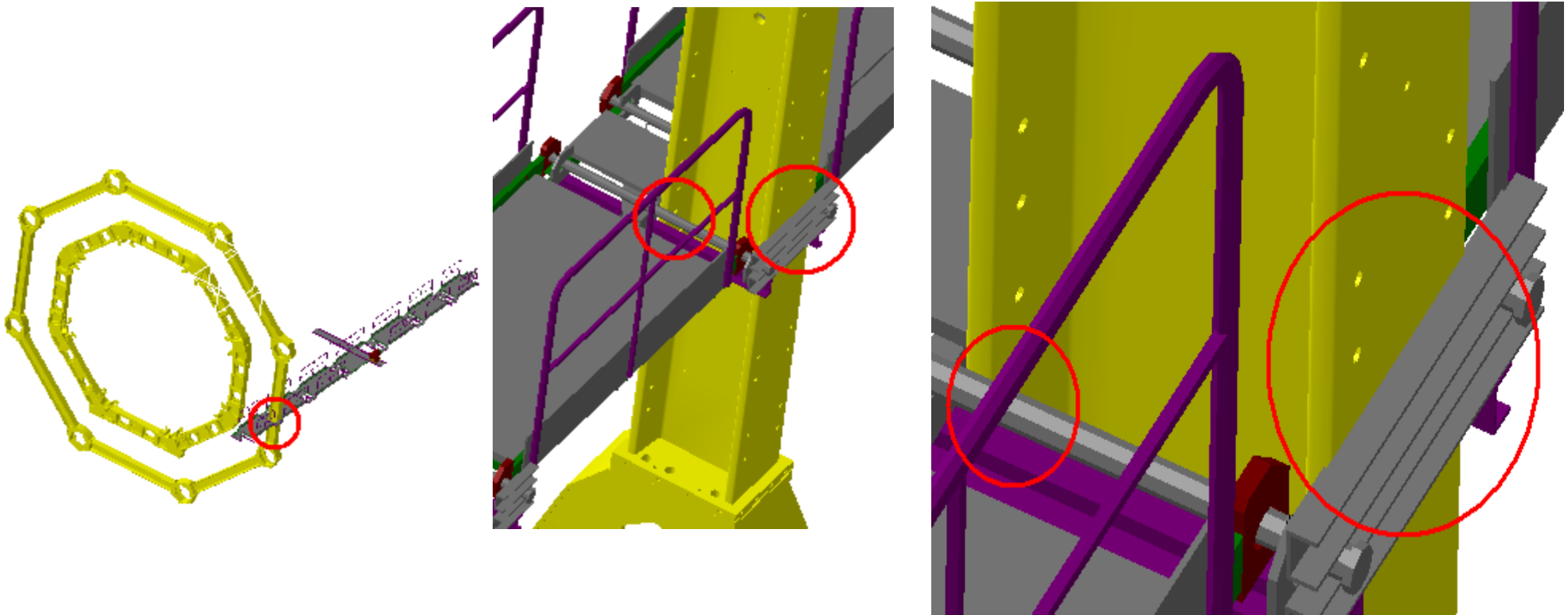
Side A
Sector 1

AT392418MQ Struct. Platforms Sector 1	AT812127MQ TBW Structure	Contact	0mm	Not inspected
--	--------------------------	---------	-----	---------------



Side A
Sector 1

AT392418MQ Struct. Platforms Sector 1	AT812128MQ TBW Structure	Contact	0mm	Not inspected
--	--------------------------	---------	-----	---------------



Side A
Sector 1