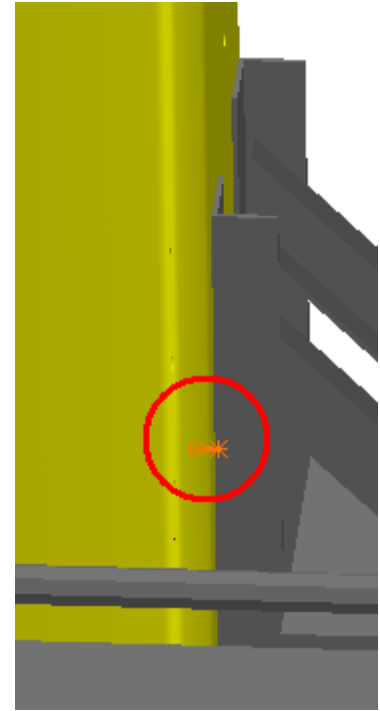
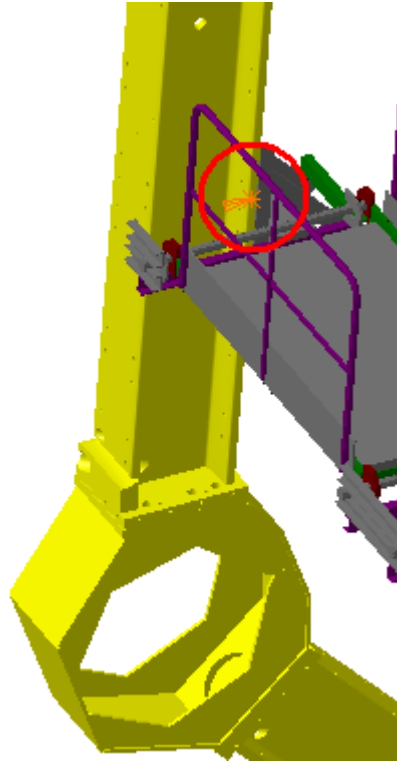
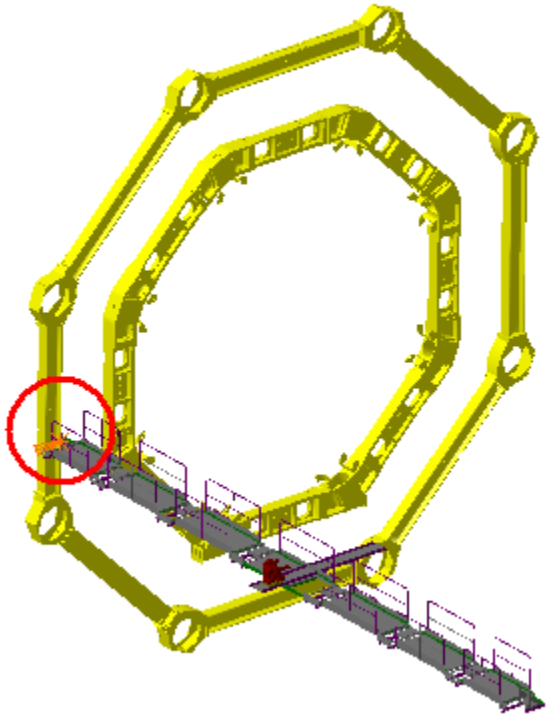


# Clash Publish



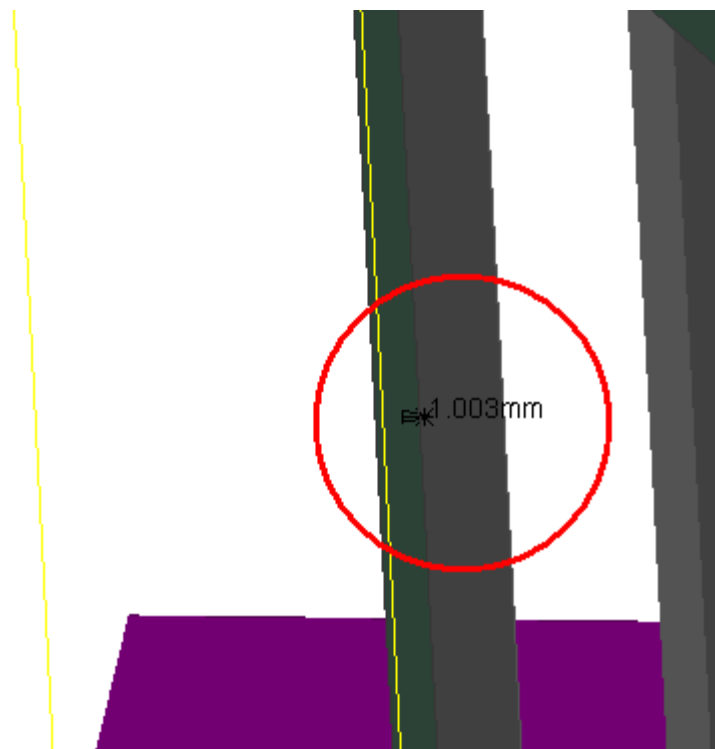
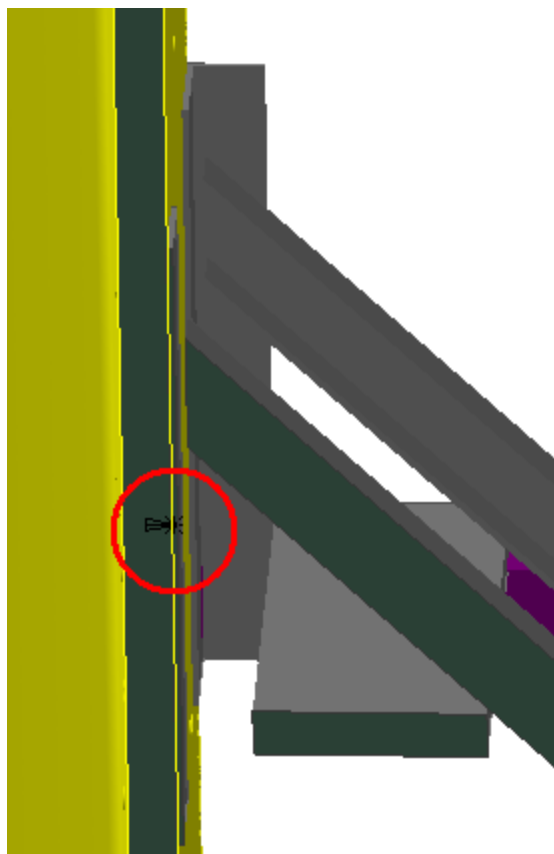
Clash Computation Specification			
Products Selected			
AT392418MQ Struct. Platforms Sector 1	AT812129MQ TBW Structure	-1	Not inspected
	AT812126MQ-M TBW Structure	-0.04	Not inspected
	AT812127MQ-M TBW Structure	-0.04	Not inspected
	AT812128MQ-M TBW Structure	-0.03	Not inspected
	AT812129MQ-M TBW Structure	-1	Not inspected

AT392418MQ Struct. Platforms Sector 1	AT812129MQ TBW Structure	Clash	-1mm	Not inspected
--	--------------------------	-------	------	---------------

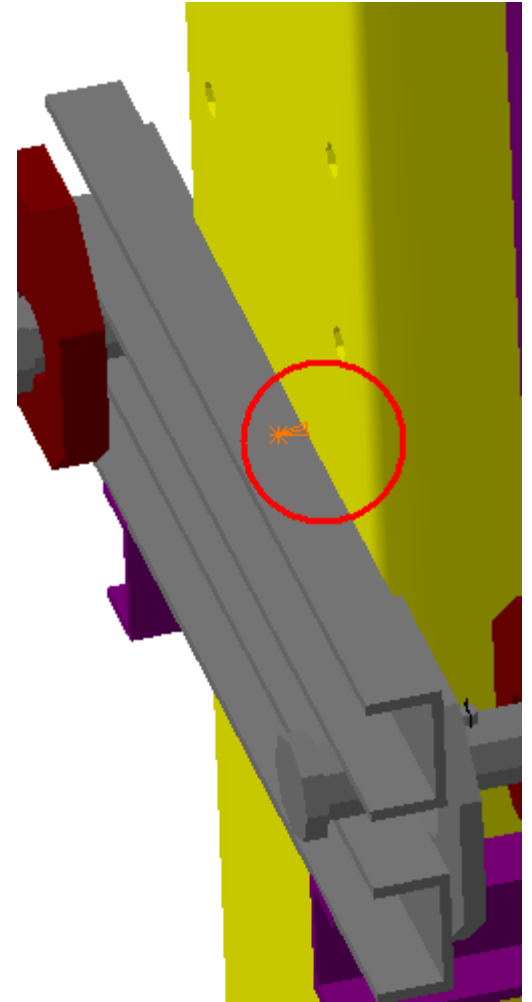
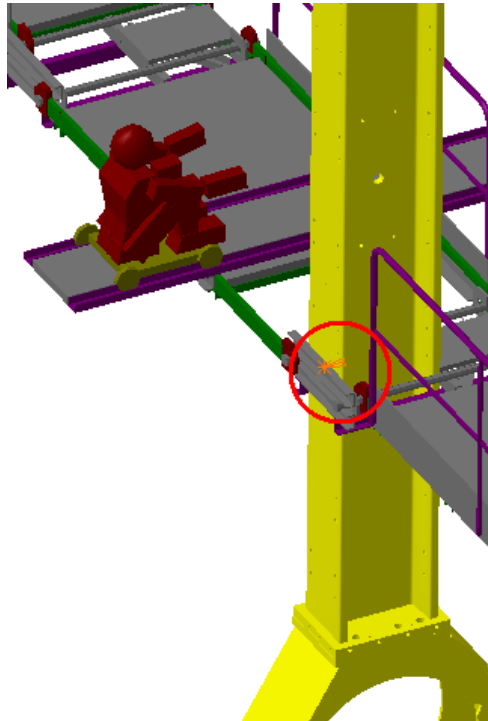
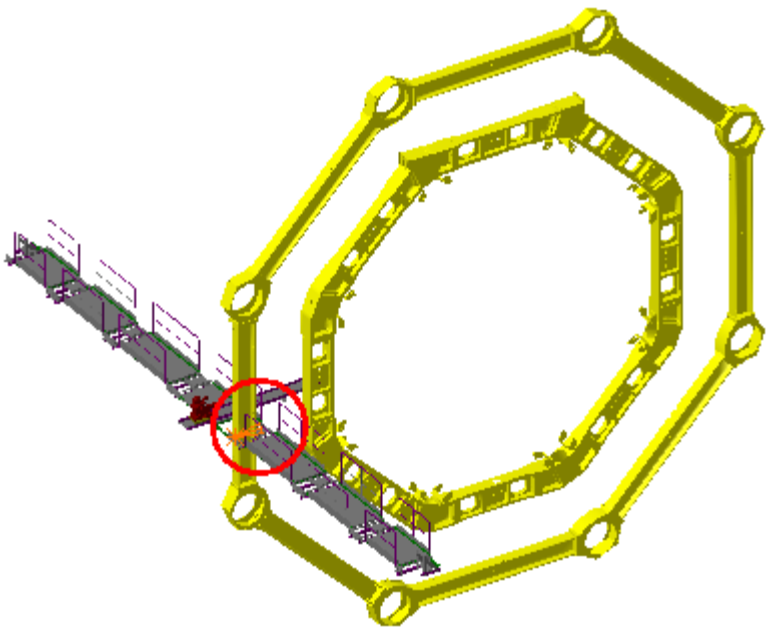


Side A  
Sector 1

# Clash View 1:

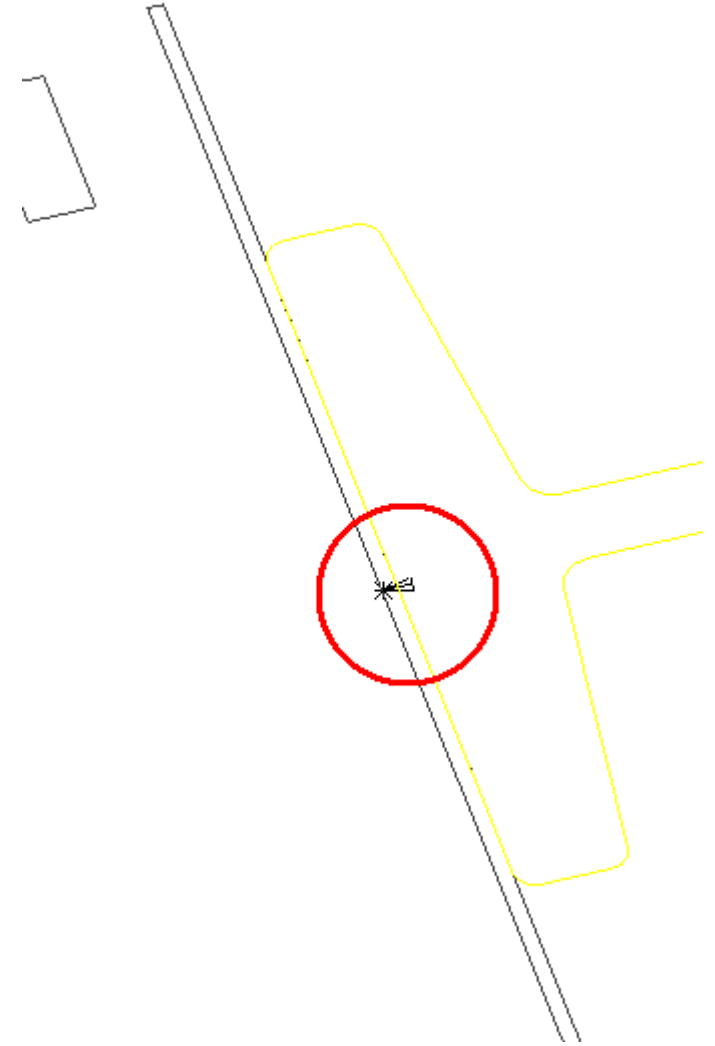
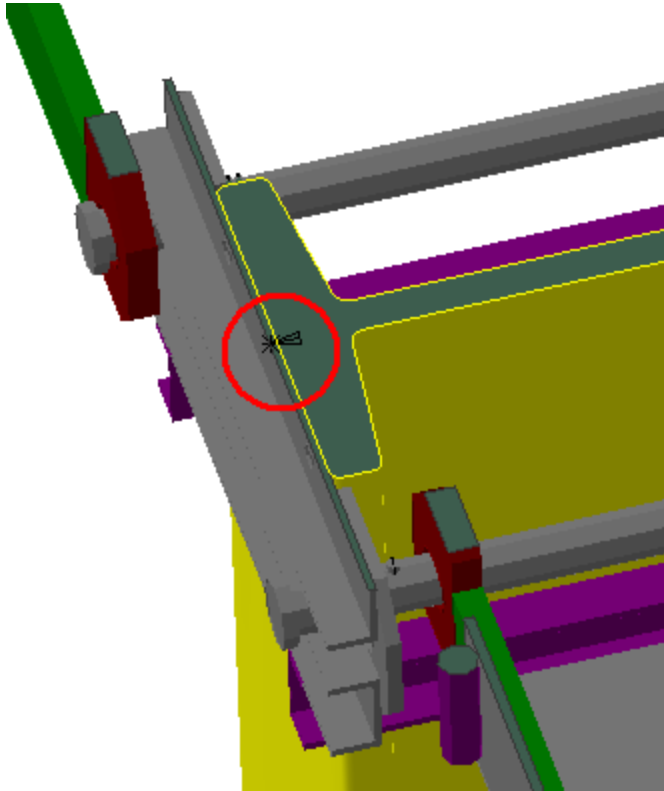


AT392418MQ Struct. Platforms Sector 1	AT812126MQ-M TBW Structure	Clash	-0.04mm	Not inspected
--	----------------------------	-------	---------	---------------

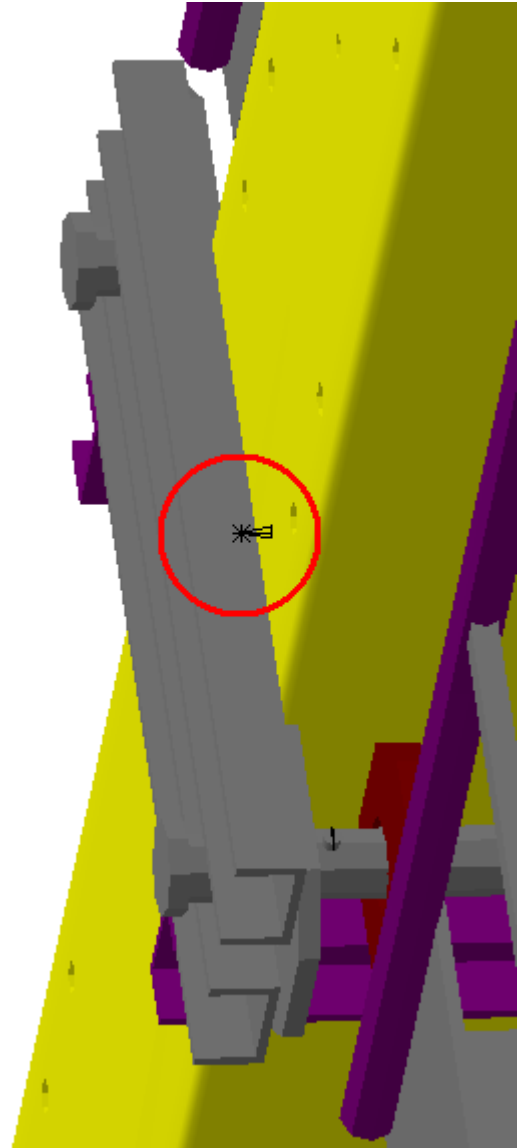
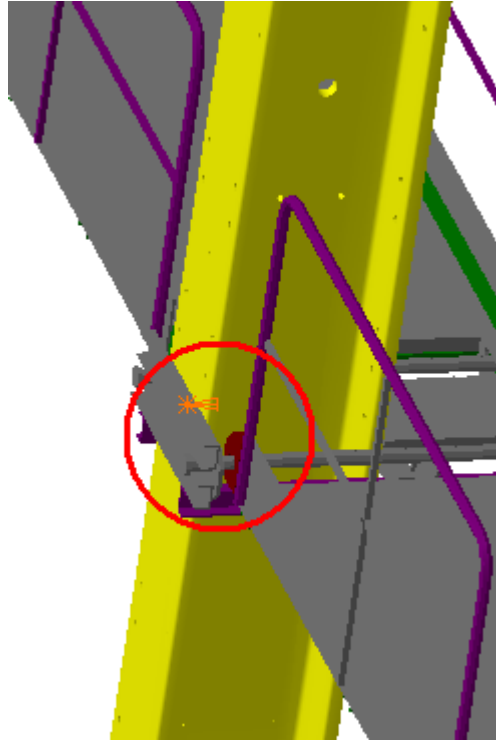
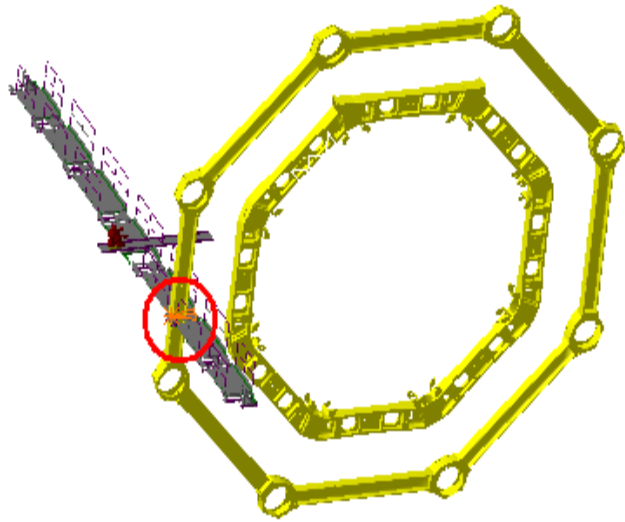


Side C  
Sector 1

# Clash View 1:

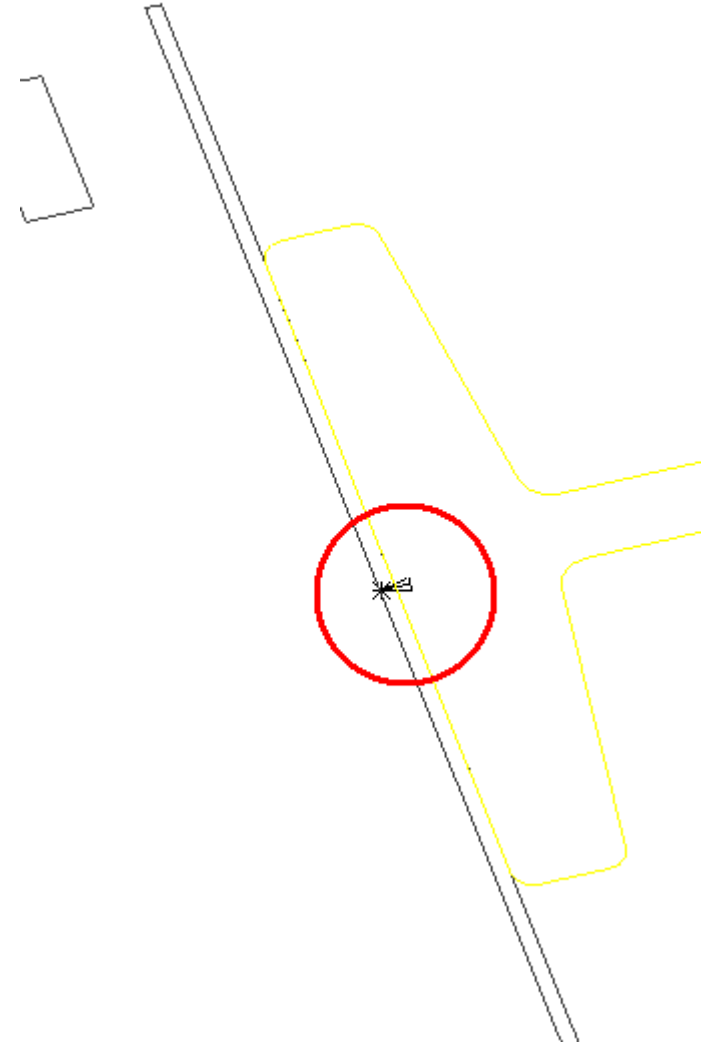
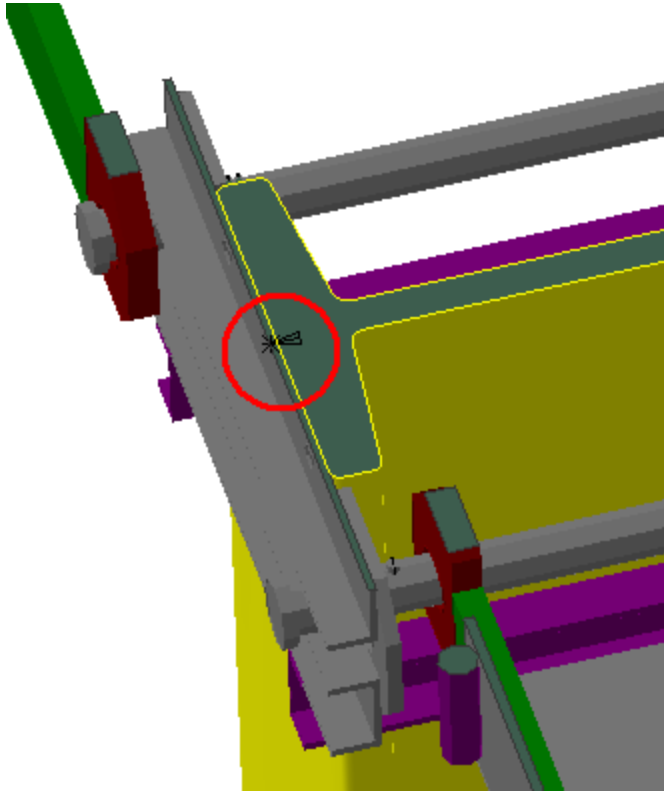


AT392418MQ Struct. Platforms Sector 1	AT812127MQ-M TBW Structure	Clash	- 0.04mm	Not inspected
--	----------------------------	-------	----------	---------------

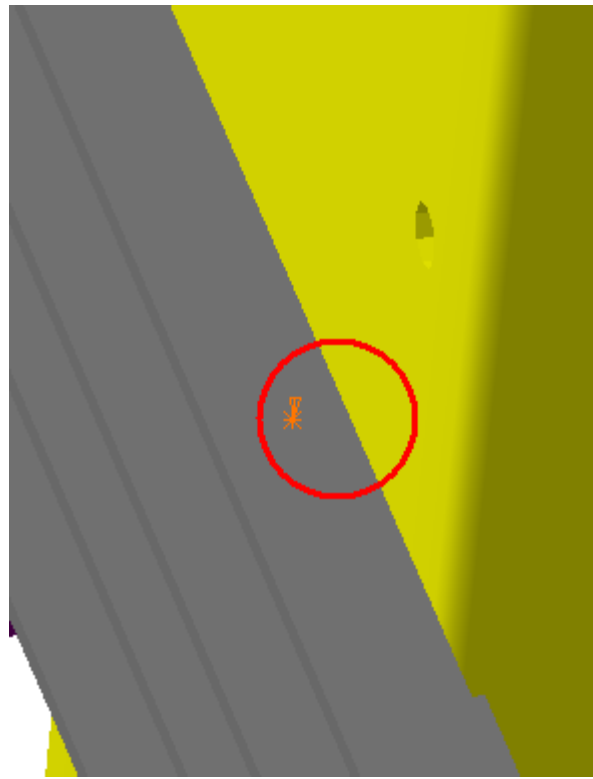
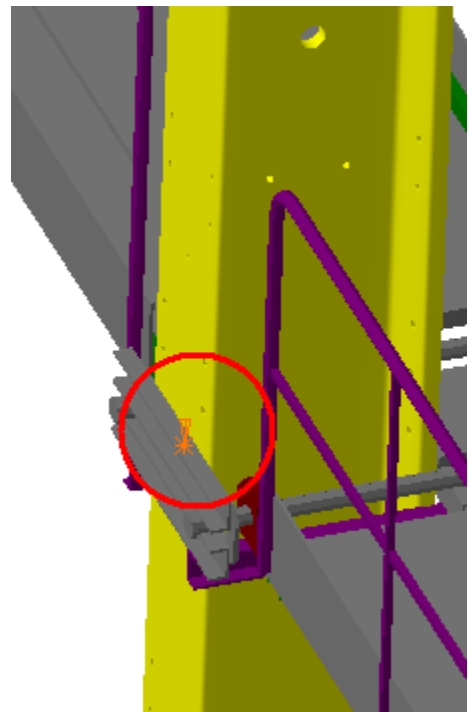
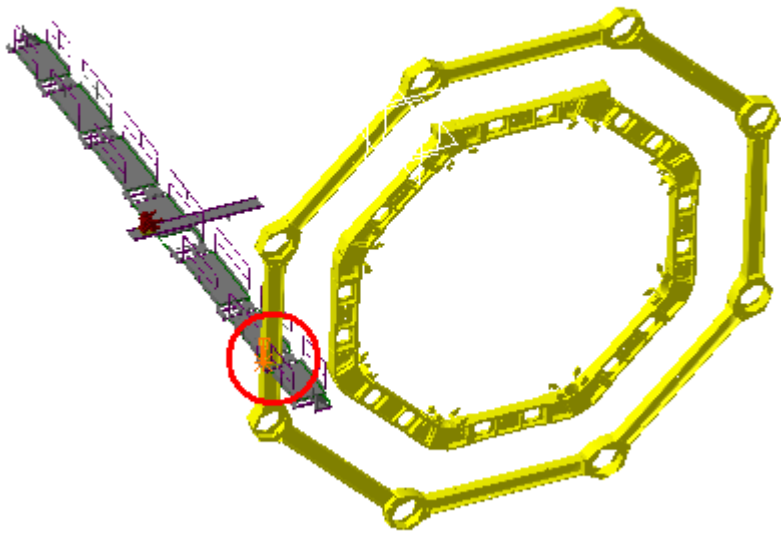


Side C  
Sector 5

# Clash View 1:



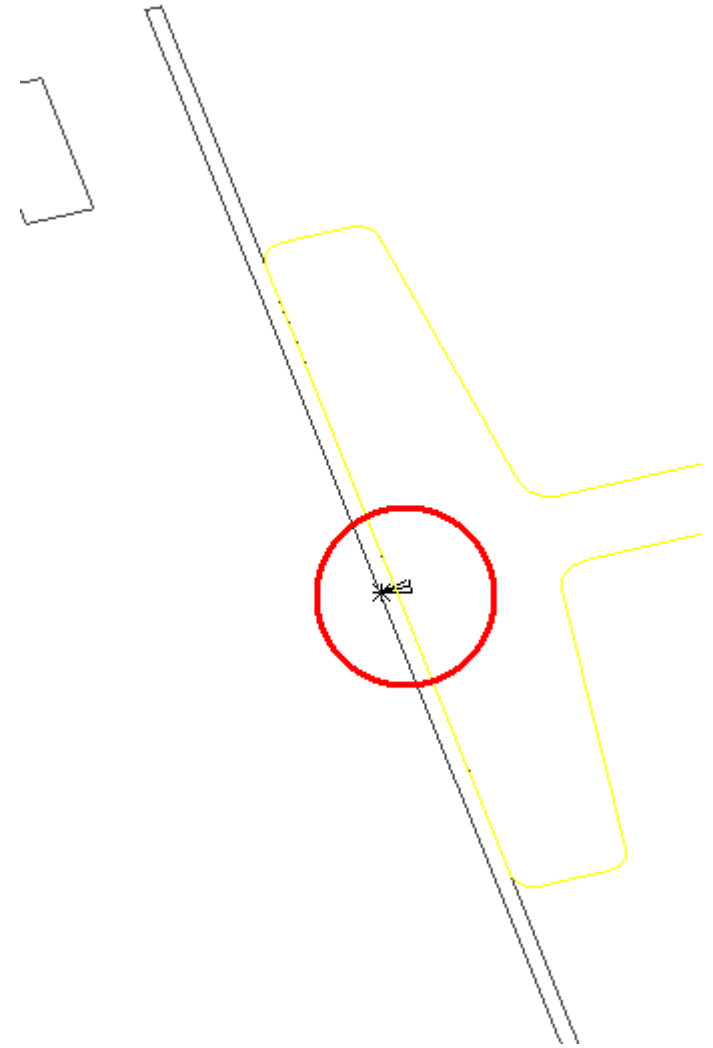
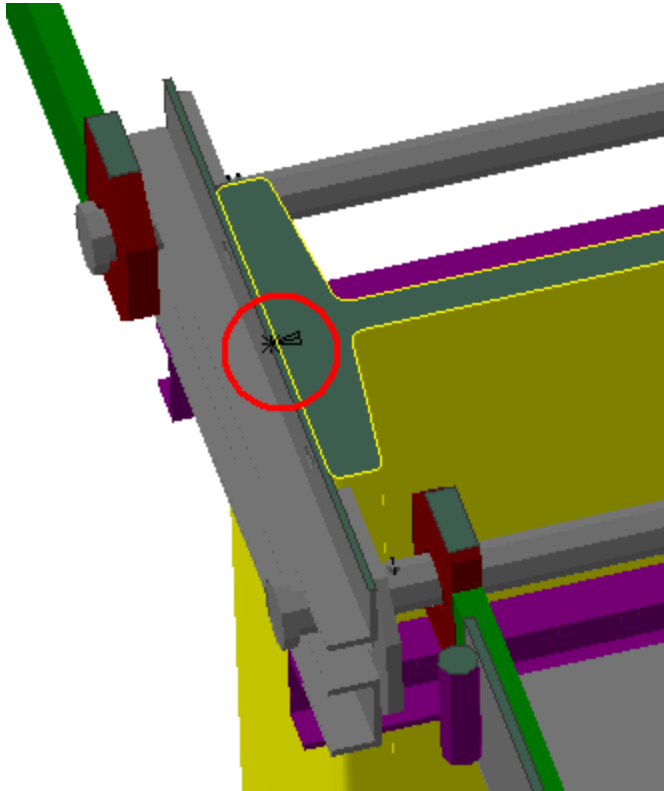
AT392418MQ Struct. Platforms Sector 1	AT812128MQ-M TBW Structure	Clash	-0.03mm	Not inspected
--	----------------------------	-------	---------	---------------



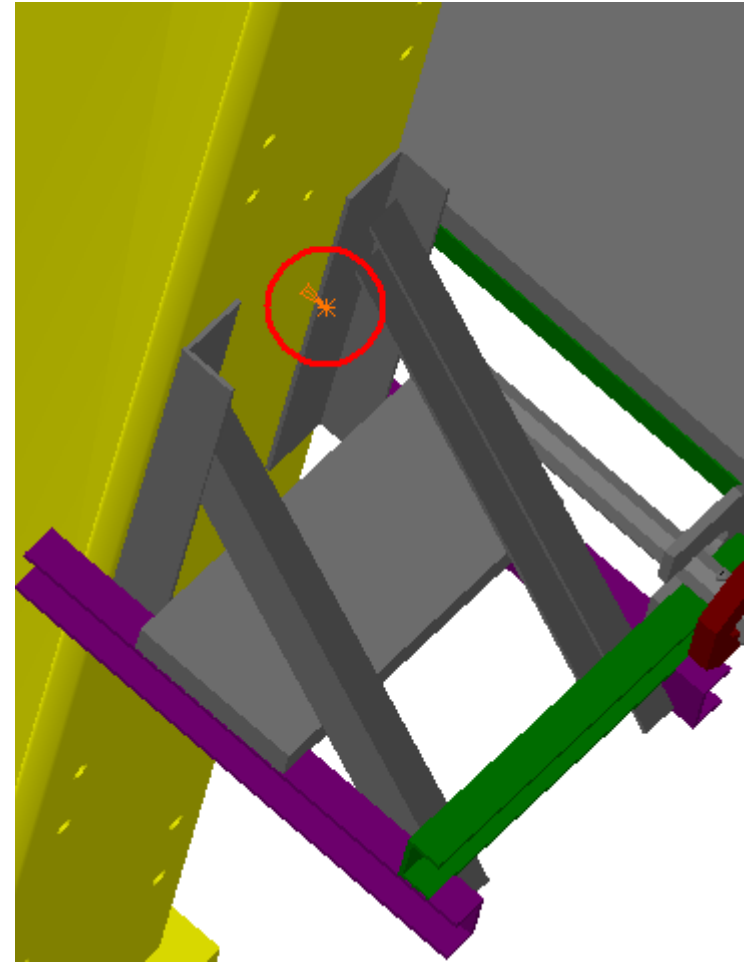
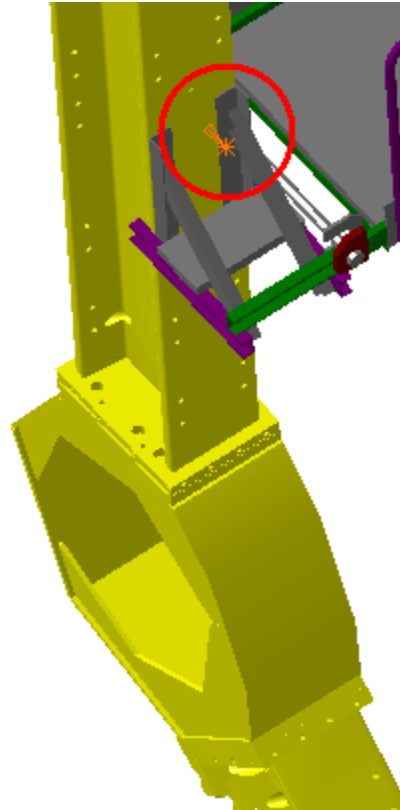
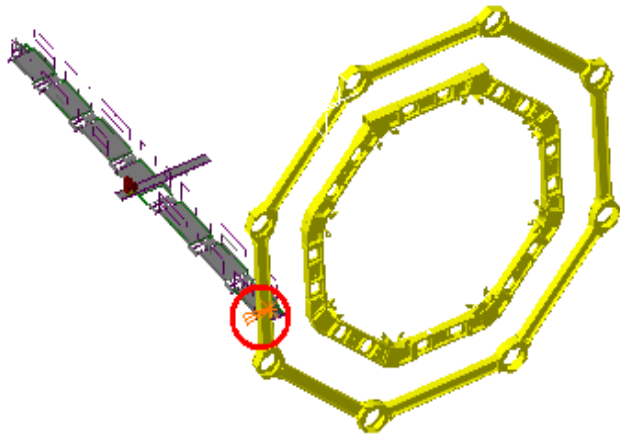
Side C  
Sector 1



# Clash View 1:



AT392418MQ Struct. Platforms Sector 1	AT812129MQ-M TBW Structure	Clash	-1	Not inspected
--	----------------------------	-------	----	---------------



Side C  
Sector 1

# Clash View 1:

