

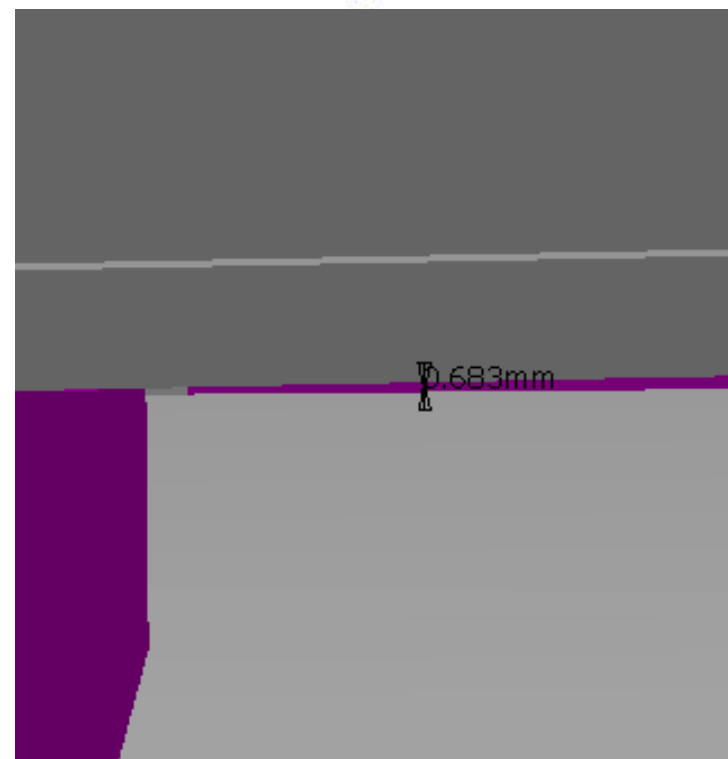
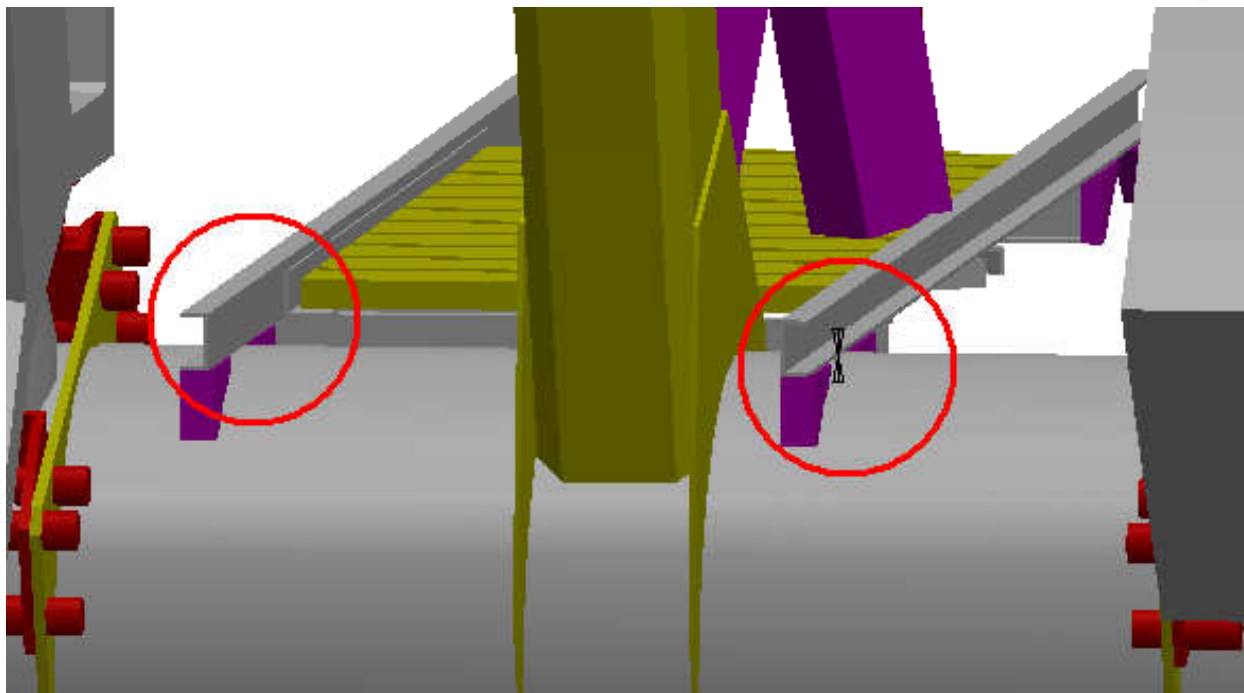
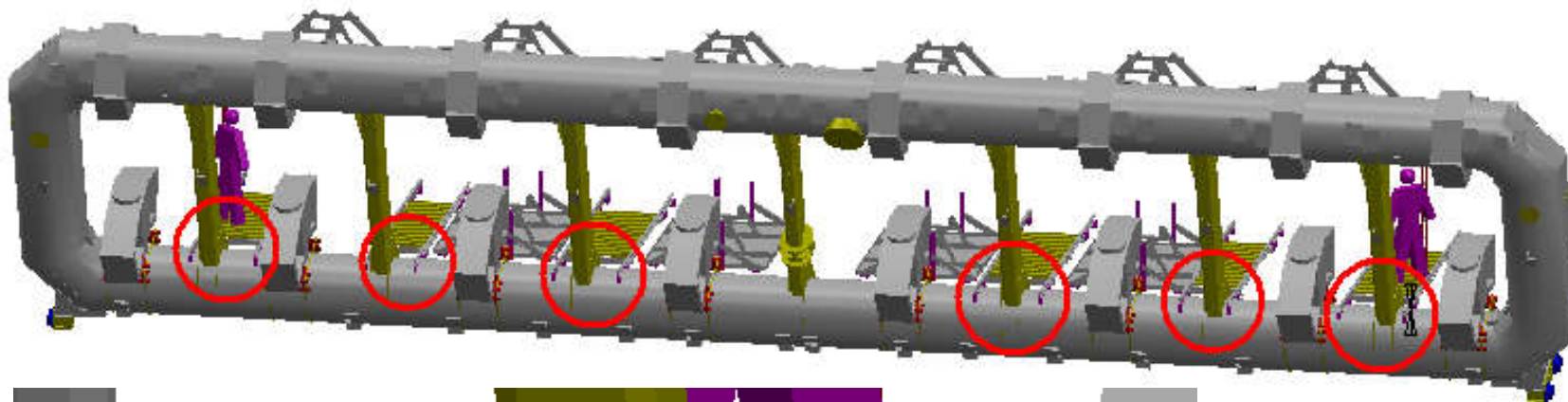
Clearance Publish

Clearance = 50mm



Clearance Computation Specification

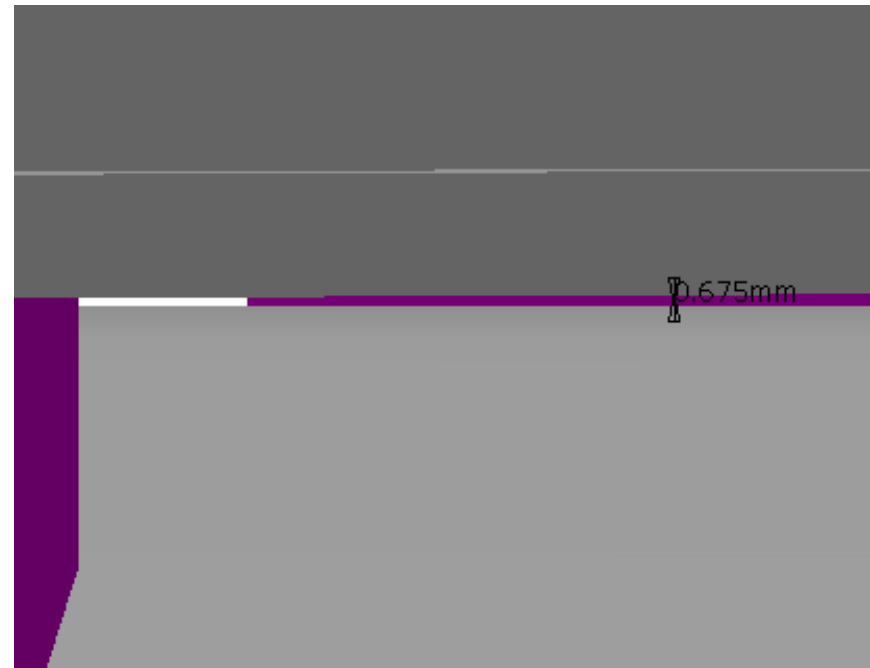
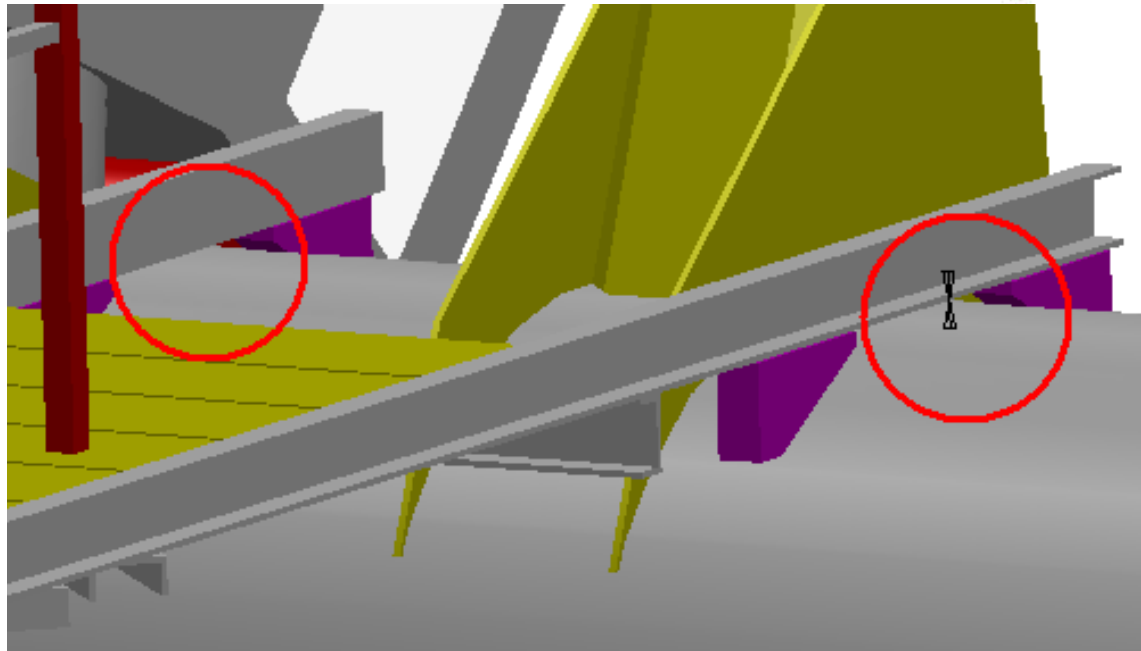
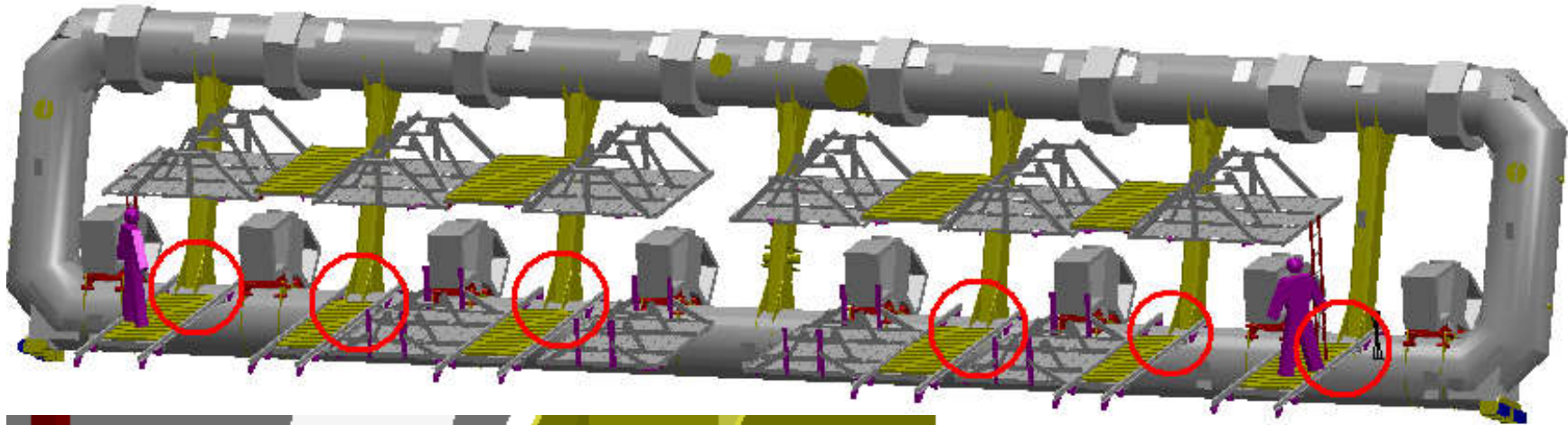
Products Selected		Value	Status
AT392374MQ-S5 - PLTF Sectors 4&5	NTB_0001 BT4 - TB STANDARD COIL – SECTOR 4	0 mm	Not inspected
	NTB_0001 BT6 - TB STANDARD COIL – SECTOR 6	0 mm	Not inspected
	AT672139MQ - FM-ENCC-C CH-TO-CH Align All Sectors	43.6 mm	Not inspected
	AT672140MQ - FM-ENCC-A CH-TO-CH Align All Sectors	43.6 mm	Not inspected
	AT672141MQ - FM-ENREF-A CH-TO-CH Align All Sectors	31.8 mm	Not inspected
	AT672142MQ - FM-ENREF-C CH-TO-CH Align All Sectors	31.8 mm	Not inspected
	NSM__0014 - BT HEATER BOXES AND CABLES - FOR SEC 2,4,6,8,10	40 mm	Not inspected
	NTB__0008 - TB CRYORING TOP SECTORS - (1, 3, 5, 7, 9)	13.9 mm	Not inspected
	Z5__0002 - Z5 GLOBAL ENVELOPE (SIDE C) - AND LOCATION INTERFACES	20.7 mm	Not inspected
	Z5__0001 - Z5 GLOBAL ENVELOPE (SIDE A) - AND LOCATION INTERFACES <i>Working on new version</i>	-	-



SIDE A-C

Sector 5

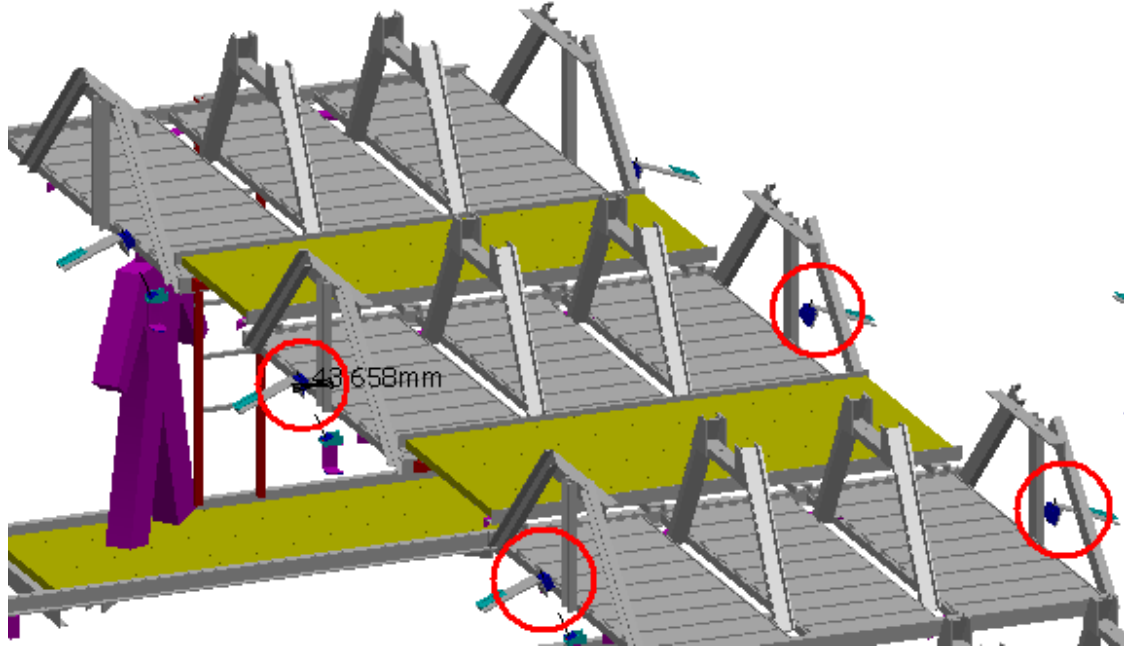
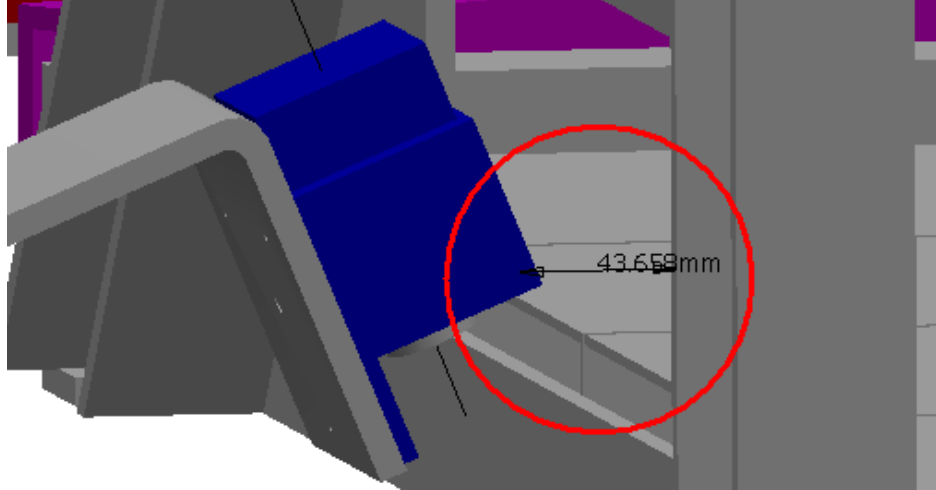
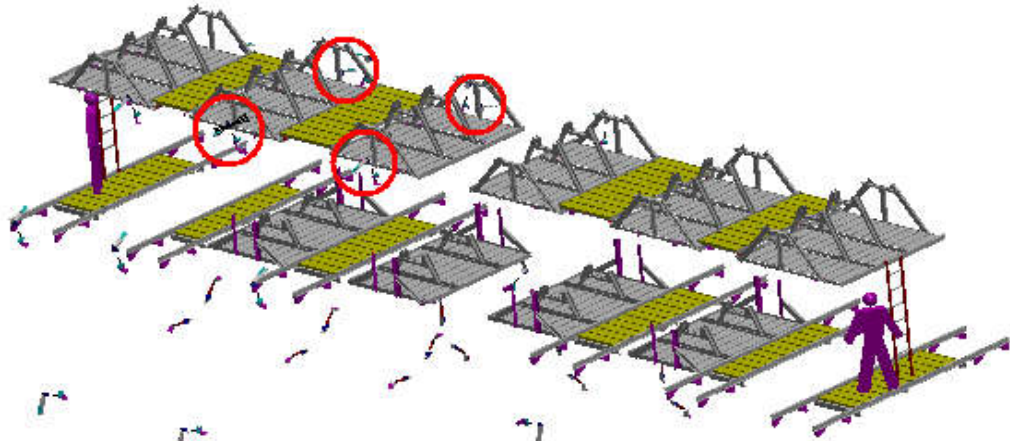
AT392374MQ-S5 - PLTF Sectors 4&5	NTB_0001 BT6 - TB STANDARD COIL – SECTOR 6	Contact	0 mm	Not inspected
----------------------------------	--	---------	------	---------------



SIDE A-C

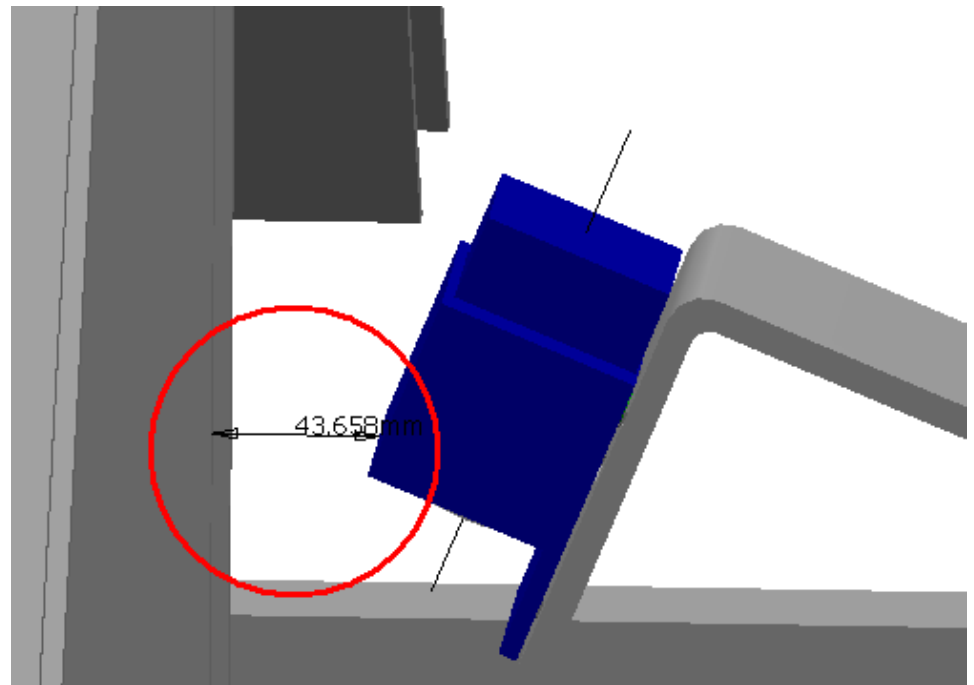
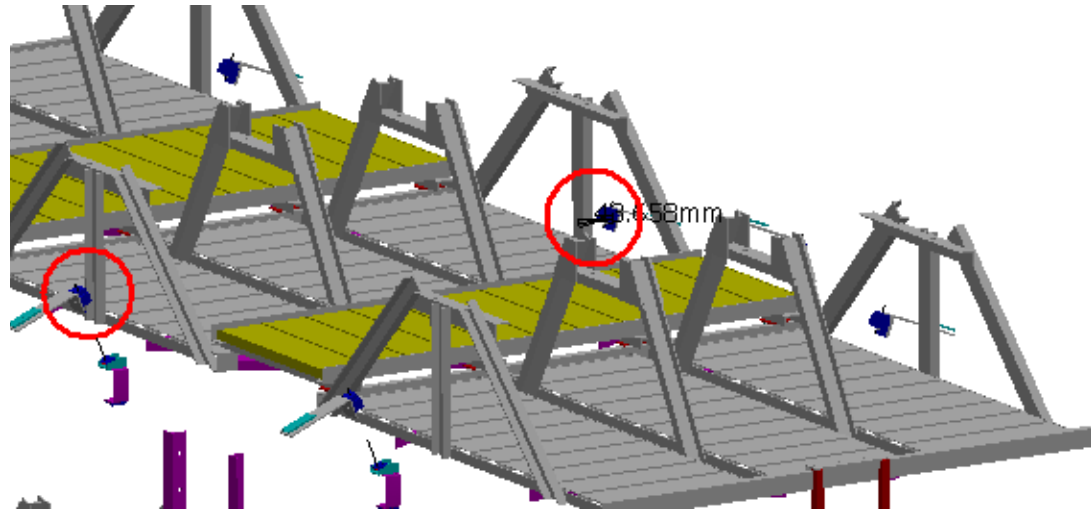
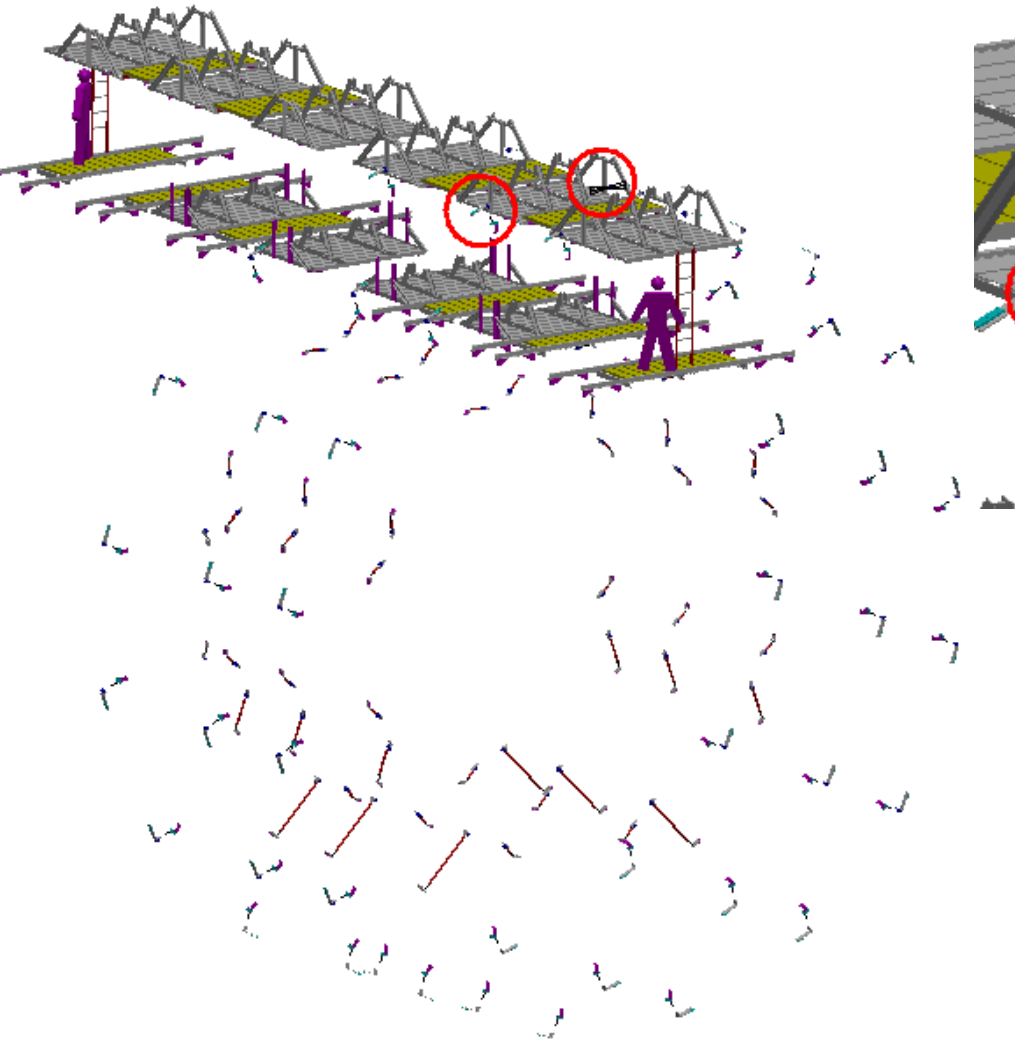
Sector 5

AT392374MQ-S5 - PLTF Sectors 4&5	AT672139MQ - FM-ENCC-C CH- TO-CH Align All Sectors	Clearance	43.6 mm			Not inspected
			$\Delta X \approx 43.6$	$\Delta Y \approx 0$	$\Delta Z \approx -16.3$	



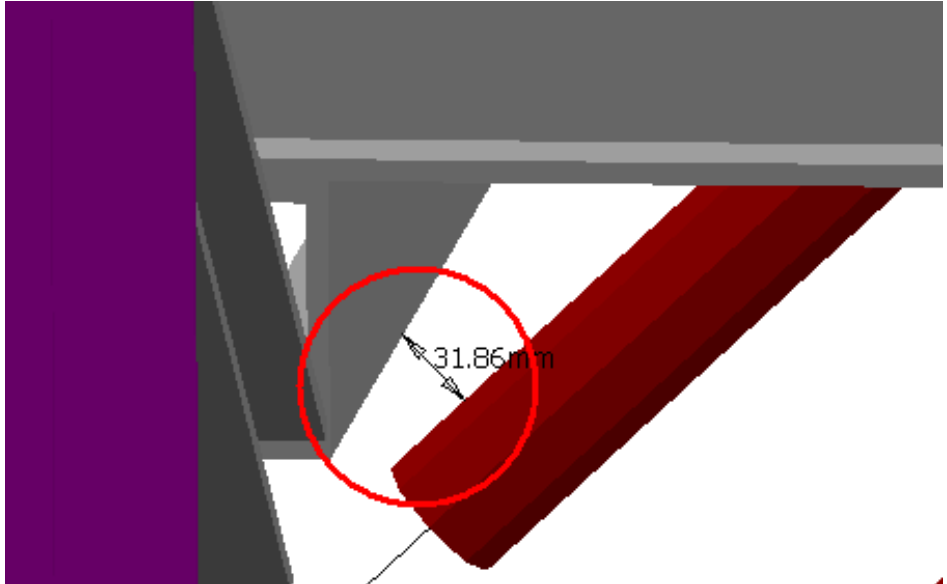
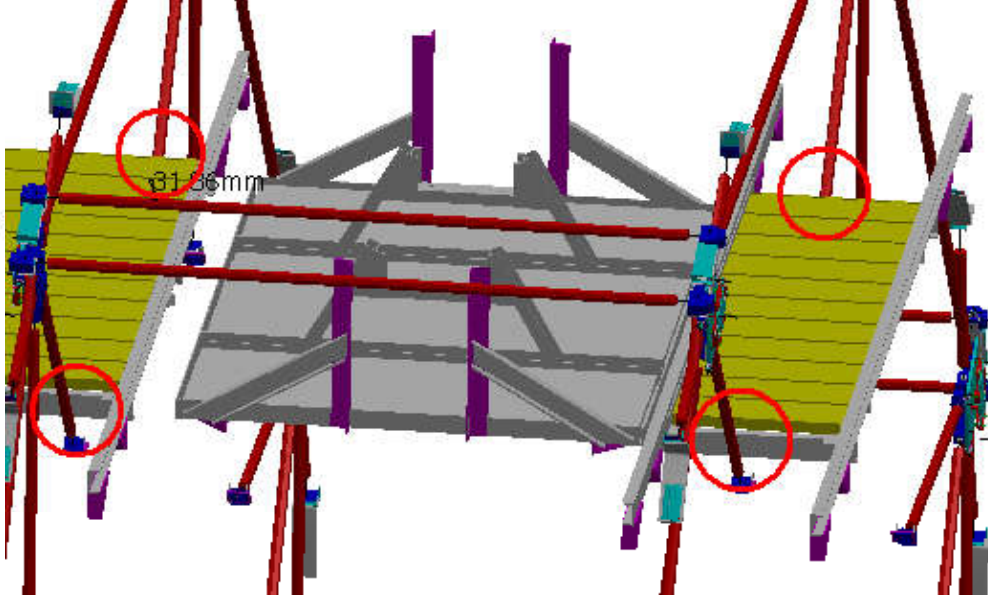
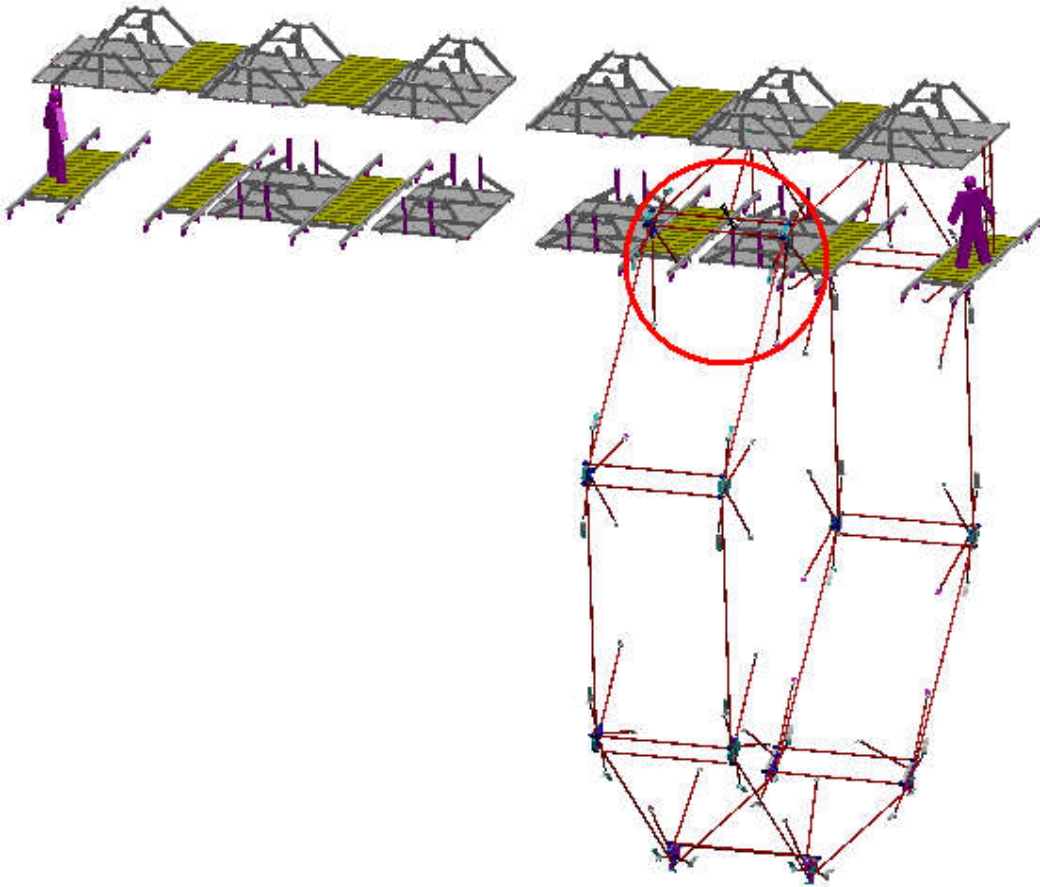
SIDE A
Sector 5

AT392374MQ-S5 - PLTF Sectors 4&5	AT672140MQ - FM-ENCC-A CH-TO-CH Align All Sectors	Clearance	43.6 mm			Not inspected
			$\Delta X \approx -43.6$	$\Delta Y \approx 0$	$\Delta Z \approx 0$	



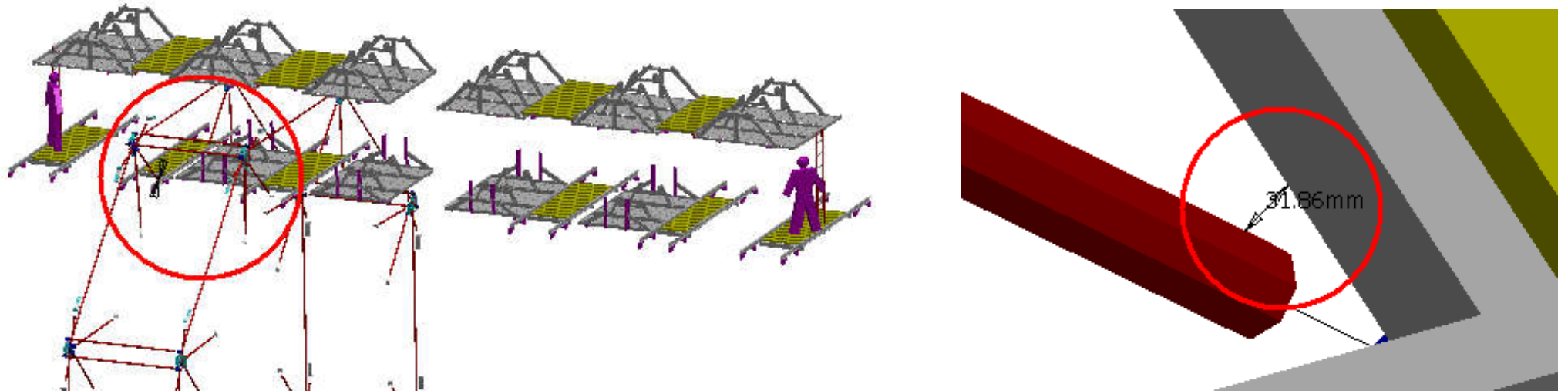
SIDE C
Sector 5

AT392374MQ-S5 - PLTF Sectors 4&5	AT672141MQ - FM-ENREF-A CH-TO- CH Align All Sectors	Clearance	31.8 mm			Not inspected
			$\Delta X \approx -21.7$	$\Delta Y \approx -23.3$	$\Delta Z \approx 0$	

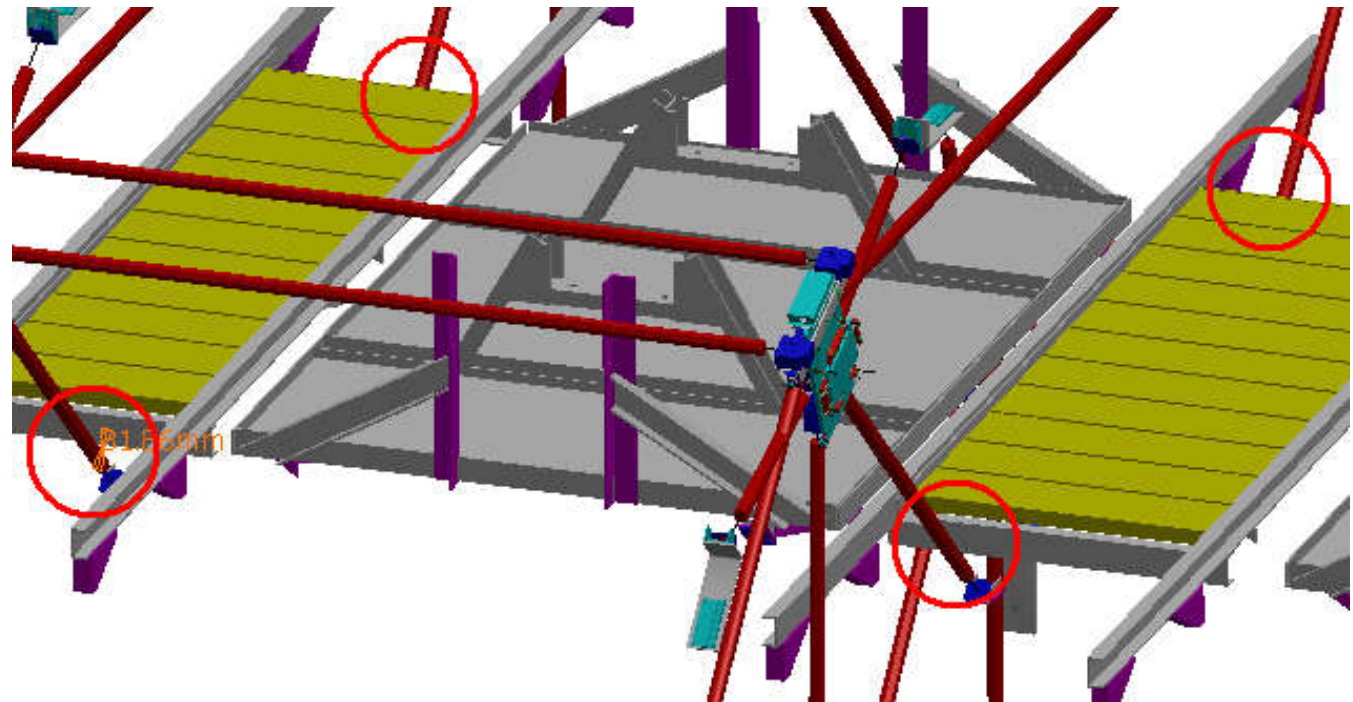


SIDE C
Sector 5

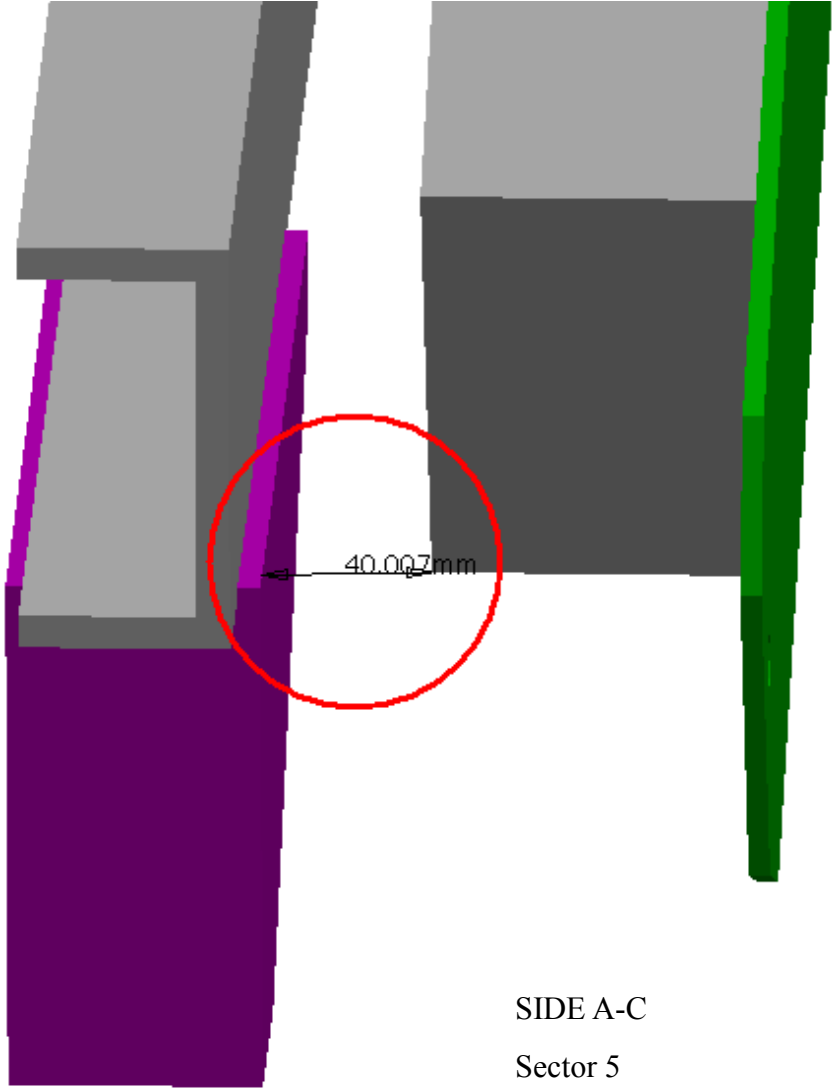
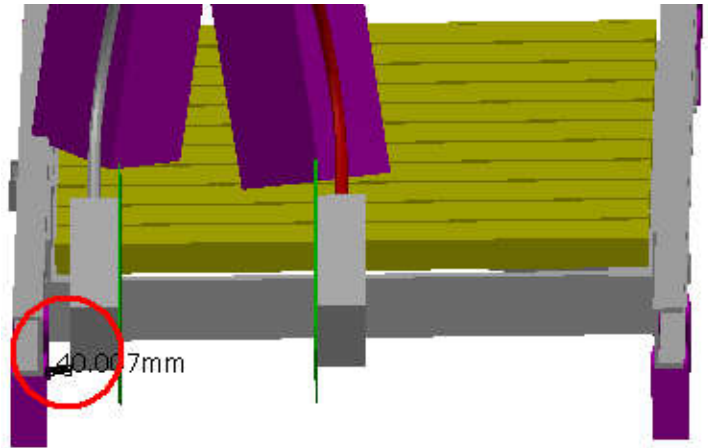
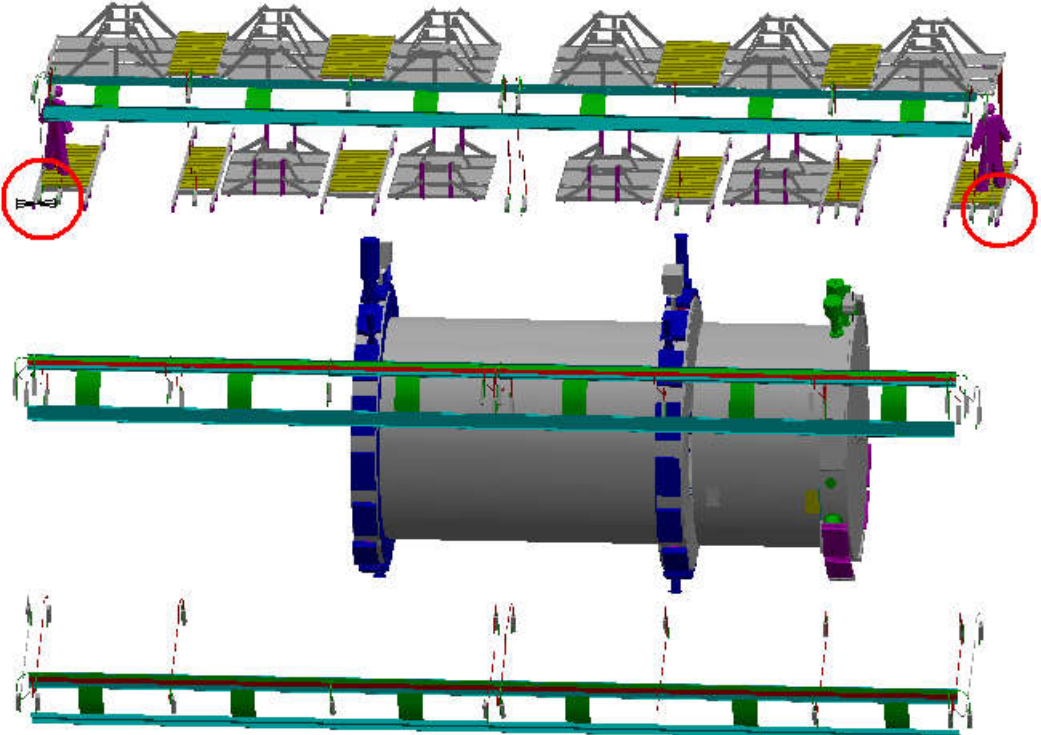
AT392374MQ-S5 - PLTF Sectors 4&5	AT672142MQ - FM-ENREF-C CH-TO-CH Align All Sectors	Clearance	31.8 mm			Not inspected
			$\Delta X \approx 21.7$	$\Delta Y \approx -23.3$	$\Delta Z \approx 0$	



SIDE A
Sector 5

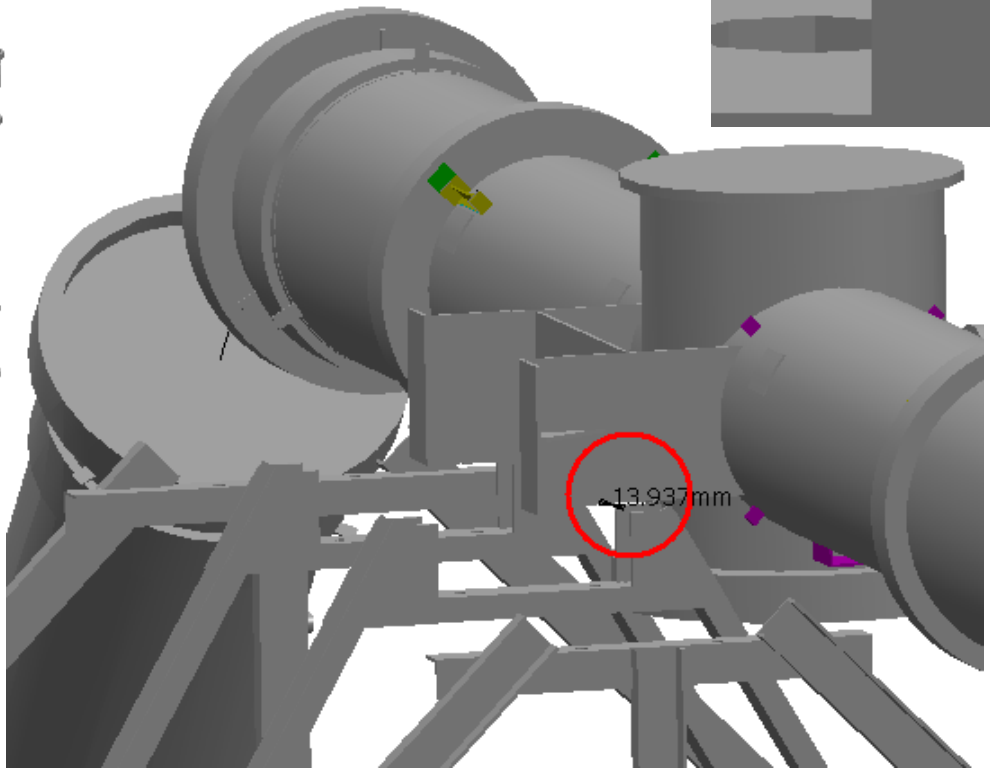
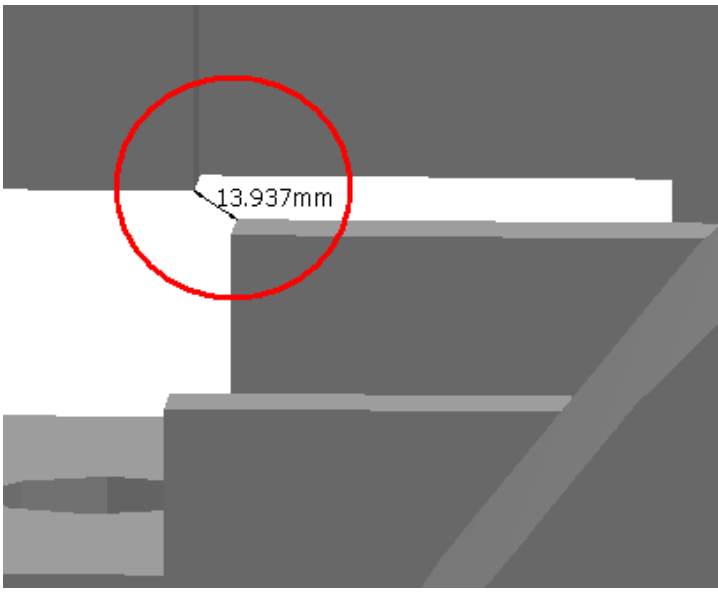
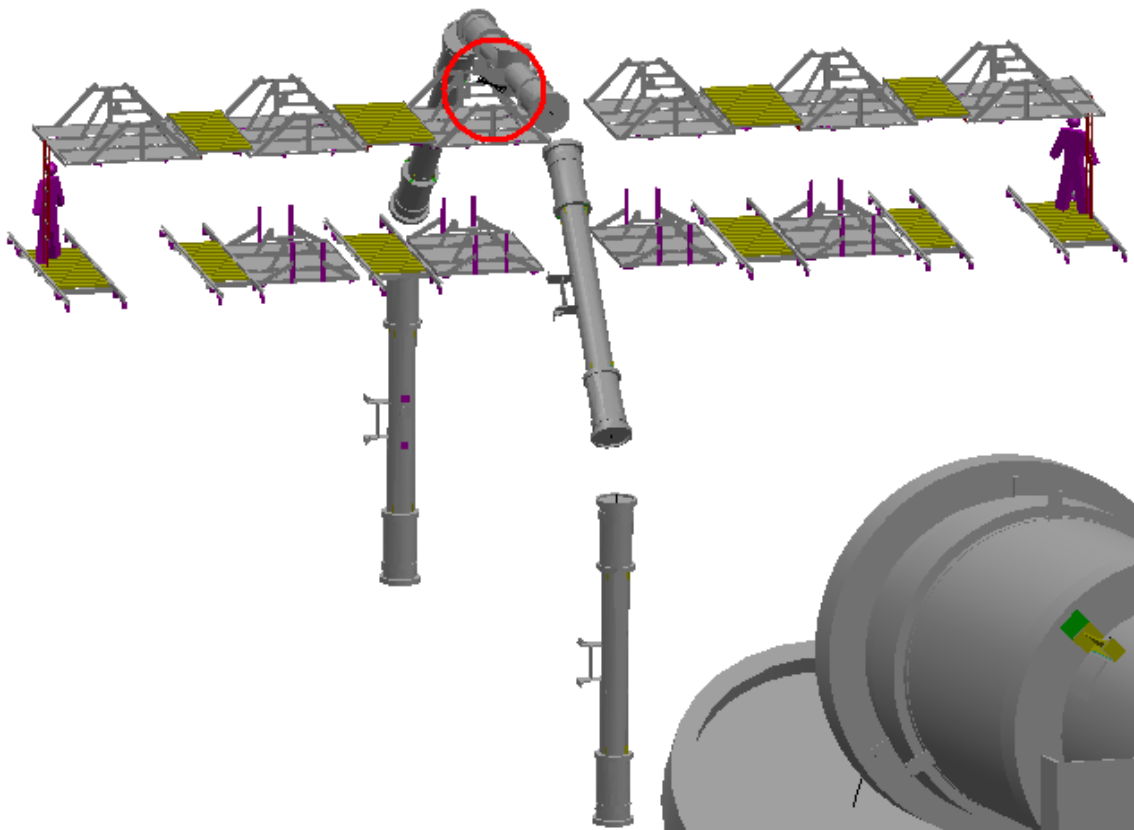


AT392374MQ-S5 - PLTF Sectors 4&5	NSM_0014 - BT HEATER BOXES AND CABLES - FOR SEC 2,4,6,8,10	Clearance	40 mm			Not inspected
			$\Delta X \approx 0$	$\Delta Y \approx 1.7$	$\Delta Z \approx 39.9$	



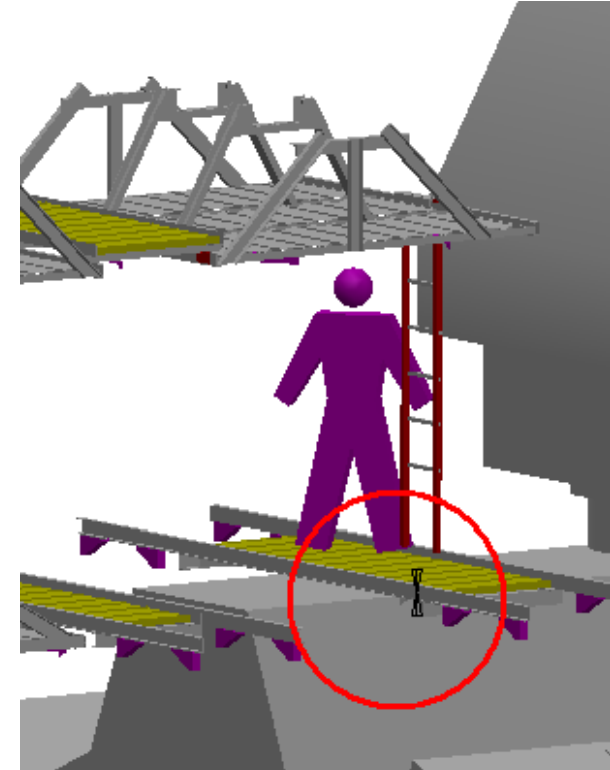
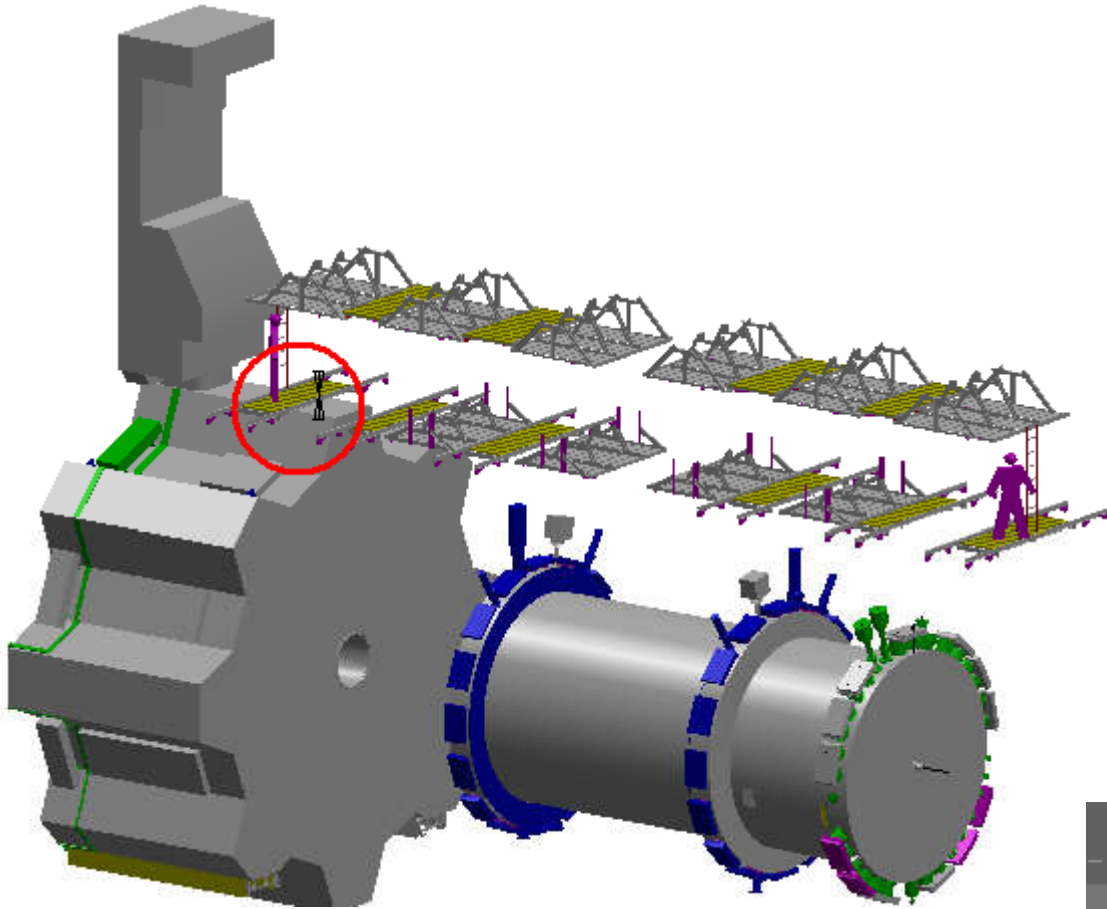
SIDE A-C
Sector 5

AT392374MQ-S5 - PLTF Sectors 4&5	NTB_0008 - TB CRYORING TOP SECTORS - (1, 3, 5, 7, 9)	Clearance	13.9 mm			Not inspected
			$\Delta X \approx 12.9$	$\Delta Y \approx 0$	$\Delta Z \approx 4.9$	



SIDE A
Sector 5

AT392374MQ-S5 - PLTF Sectors 4&5	Z5__0002 - Z5 GLOBAL ENVELOPE (SIDE C) - AND LOCATION INTERFACES	Clearance	20.7 mm			Not inspected
			$\Delta X \approx 0$	$\Delta Y \approx -20.7$	$\Delta Z \approx 0$	



SIDE A
Sector 5

