

Clash Publish

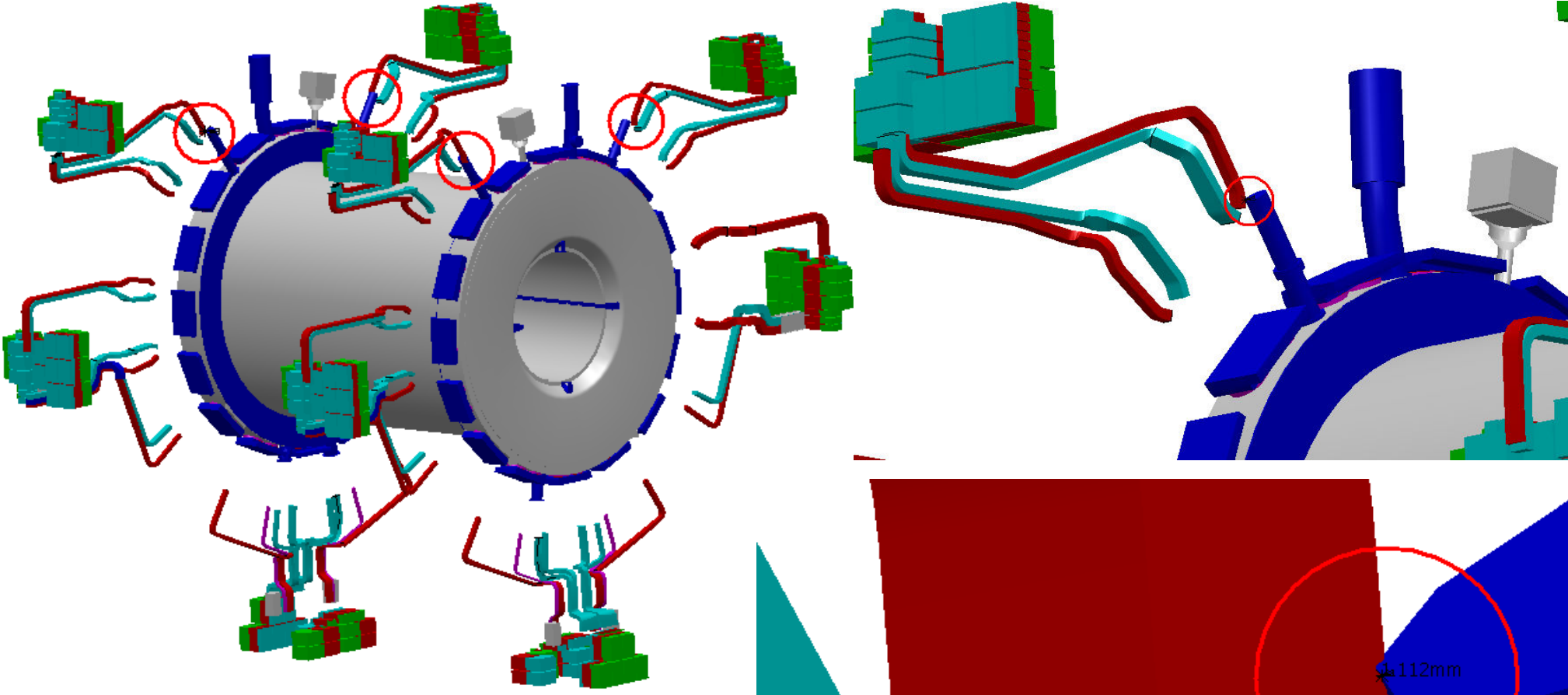


Clash Computation Specification			
Products Selected		Value	Status
AT392112MQ - INNER DETECTOR PP2 + SERVICES	ZAB_0001 - AB INDIVIDUAL ENVELOPE - AND LOCATION OF INTERFACES	-1.1 mm	Not inspected
	NV_0001 - BEAM VACUUM VI - SIMPLIFIED 3-D OBJECT	-129.6 mm	Not inspected
	ZI_0001 - INNER TRACKER ENVELOPE AND SERVICES - AND LOCATION INTERFACES	-889.8 mm	Not inspected
	NLB_0002 - LB TILE CALORIMETER - SIMPLIFIED 3-D OBJECT	-1.3 mm	Not inspected
	AT602152MQ - MUON BARREL CHAMBERS DETAILED – SECTOR 1	-27.5 mm	Not inspected
	AT602157MQ - MUON BARREL CHAMBERS DETAILED – SECTOR 7	-3.9 mm	Not inspected
	AT602165MQ - MUON BARREL CHAMBERS DETAILED – SECTOR 13	-64.9 mm	Not inspected
	NMA_0011 - SECTOR 02 SIDE C (A) - REFERENCE ALIGNMENT SYSTEM AND	-0.7 mm	Not inspected
	NMA_0013 - SECTOR 06 SIDE C (A) - REFERENCE ALIGNMENT SYSTEM AND	-77 mm	Not inspected
	NSB_0003 - BARREL CALORIMETER LAR DRAIN LINE - SIMPLIFIED 3D OBJECT *	-13.5 mm	Not inspected
	NSB_0004 - LAR BARREL ELECTRONIC CRATES - SIMPLIFIED 3-D OBJECT	-4.6 mm	Not inspected
	NSM_0014 - BT HEATER BOXES AND CABLES - FOR SEC 2,4,6,8,10	-85.6 mm	Not inspected

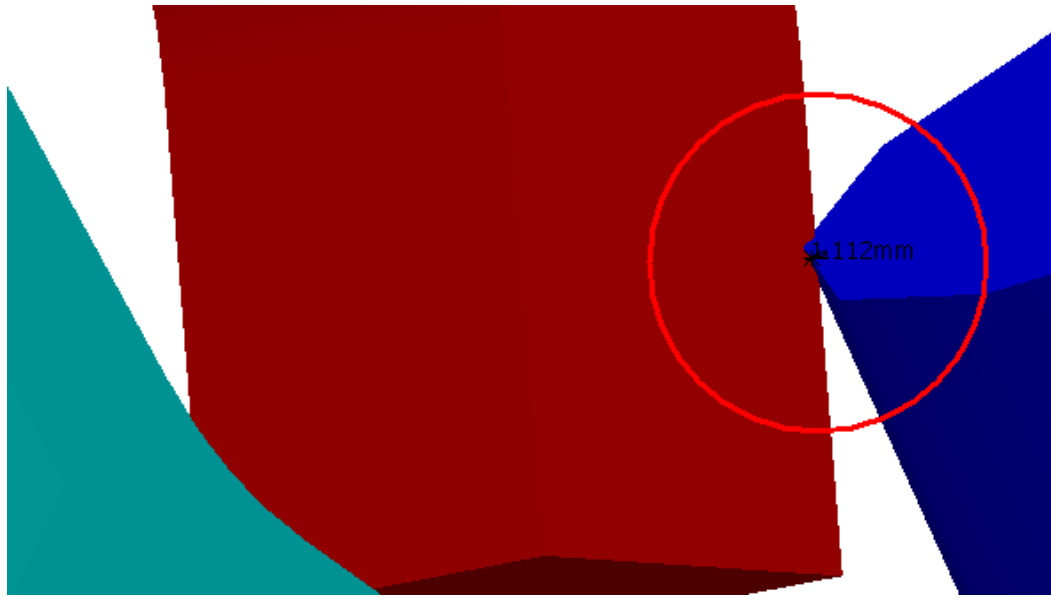
* Working on new version

Computation Result:

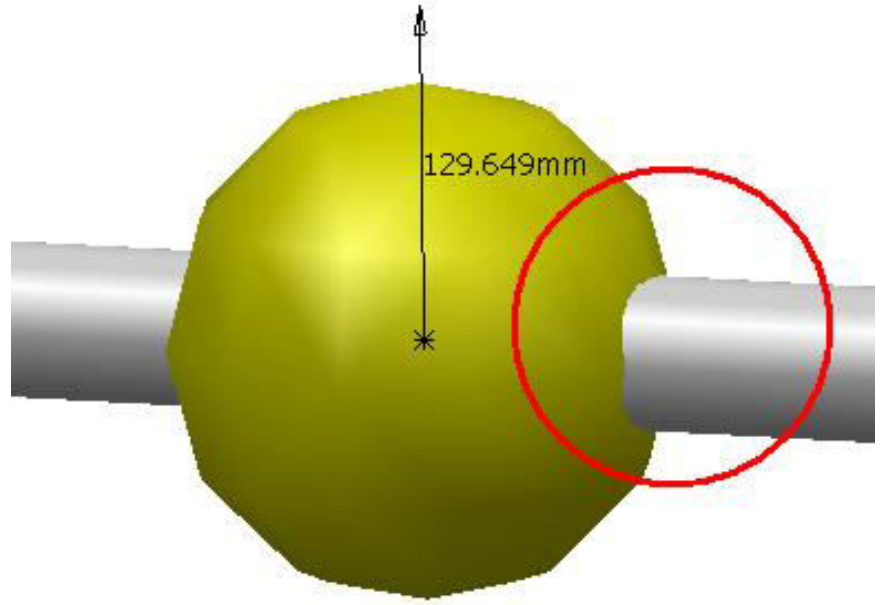
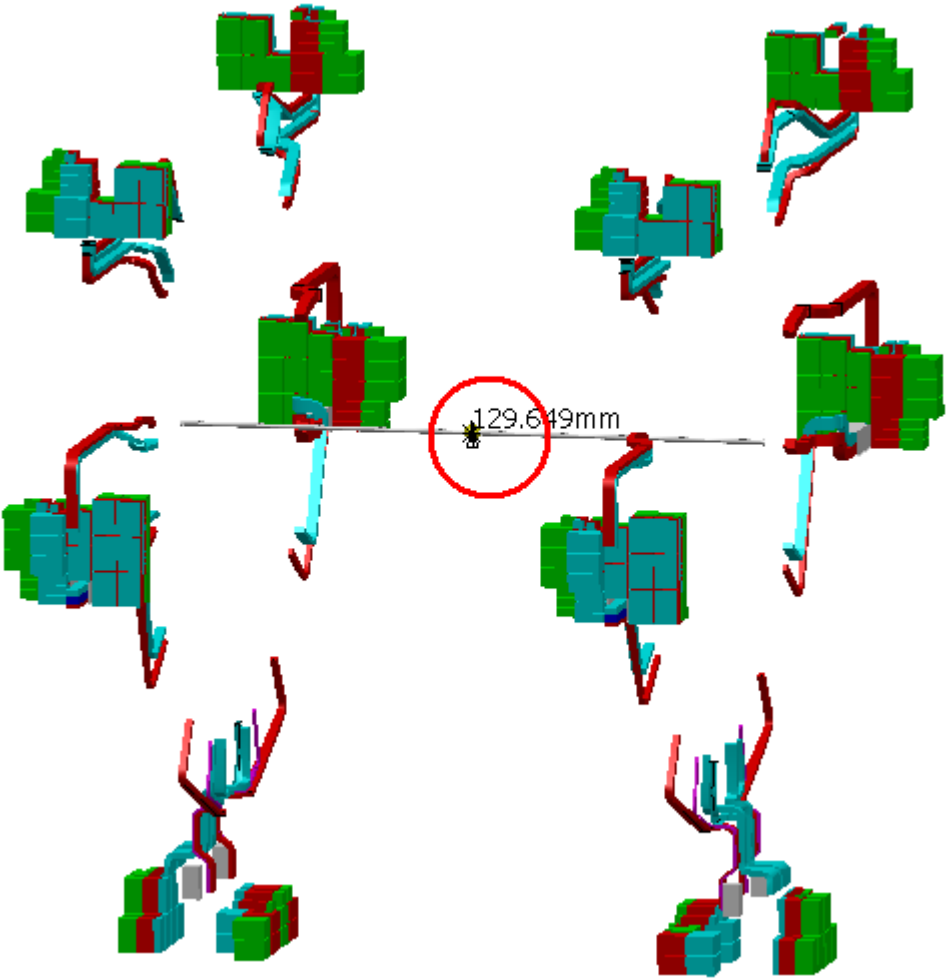
AT392112MQ - INNER DETECTOR PP2 + SERVICES	ZAB_0001 - AB INDIVIDUAL ENVELOPE - AND LOCATION OF INTERFACES	Clash	-1.1 mm	Not inspected
---	---	-------	---------	---------------



Clash value: ~ 1.1mm
SIDE A-C
Sectors 3 & 7



AT392112MQ - INNER DETECTOR PP2 + SERVICES	NV_0001 - BEAM VACUUM VI - SIMPLIFIED 3-D OBJECT	Clash	-129.6 mm	Not inspected
---	---	-------	-----------	---------------



Clash value: ~ 129.6mm
 SIDE center of the system
 Sector center of the system

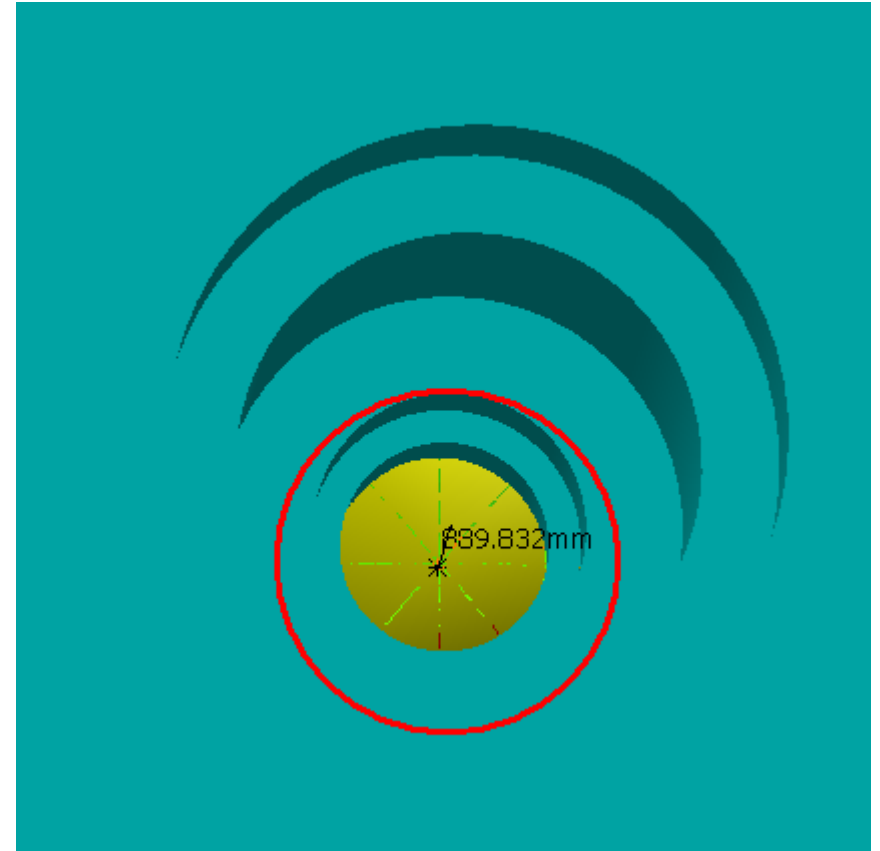
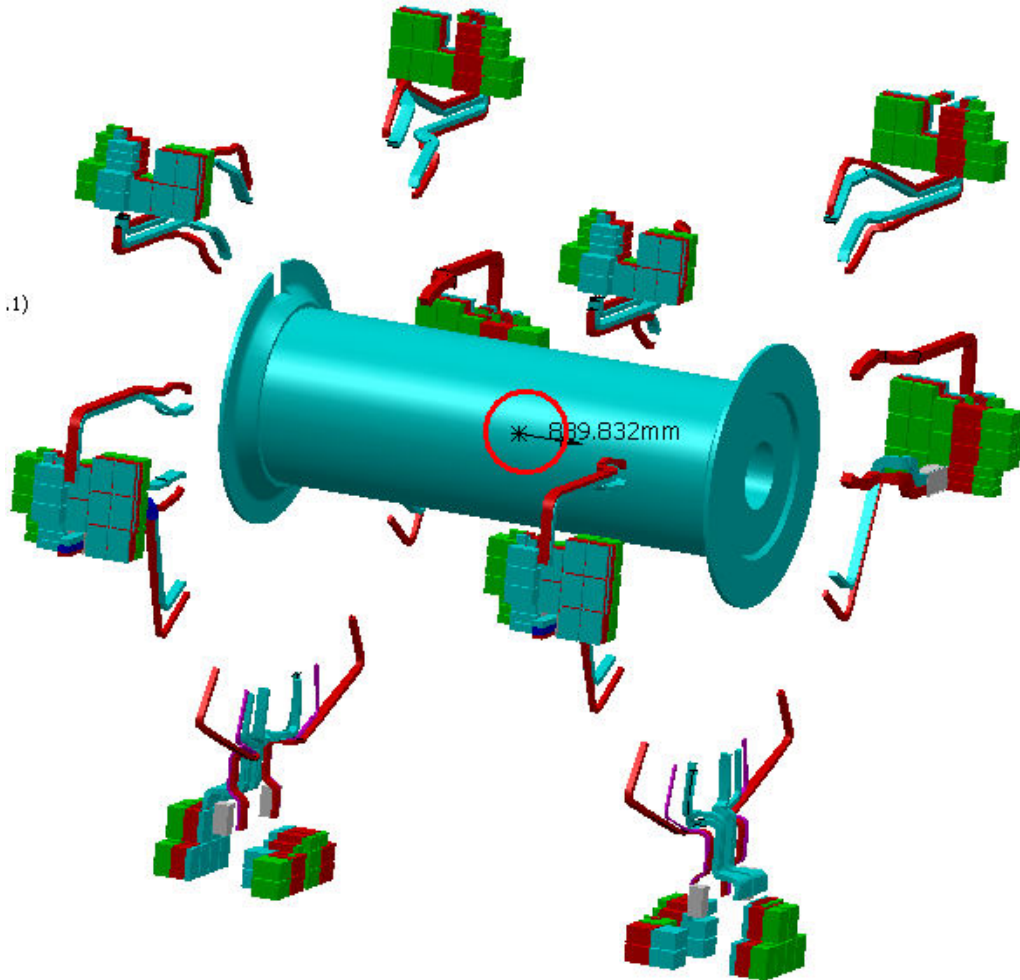
AT392112MQ - INNER DETECTOR
PP2 + SERVICES

ZI_0001 - INNER TRACKER ENVELOPE AND
SERVICES - AND LOCATION INTERFACES

Clash

-889.8 mm

Not inspected

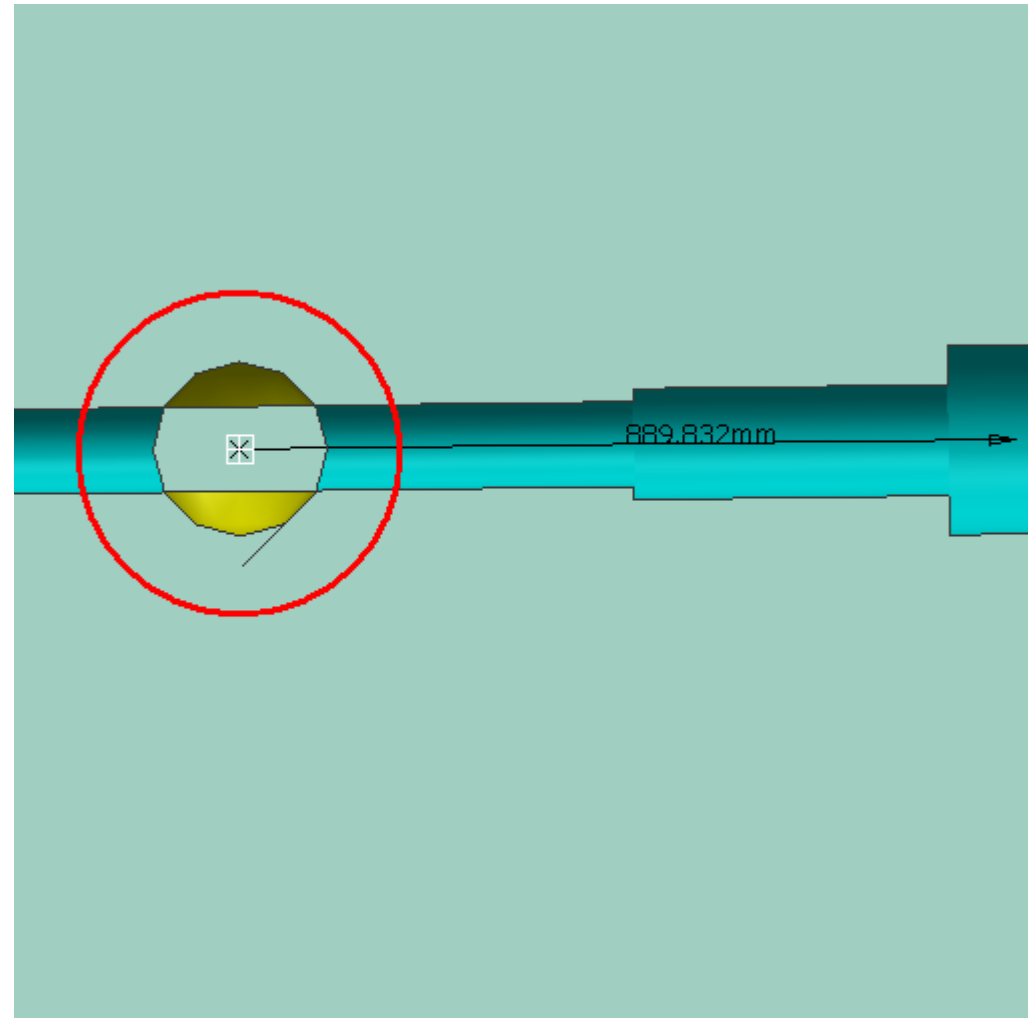
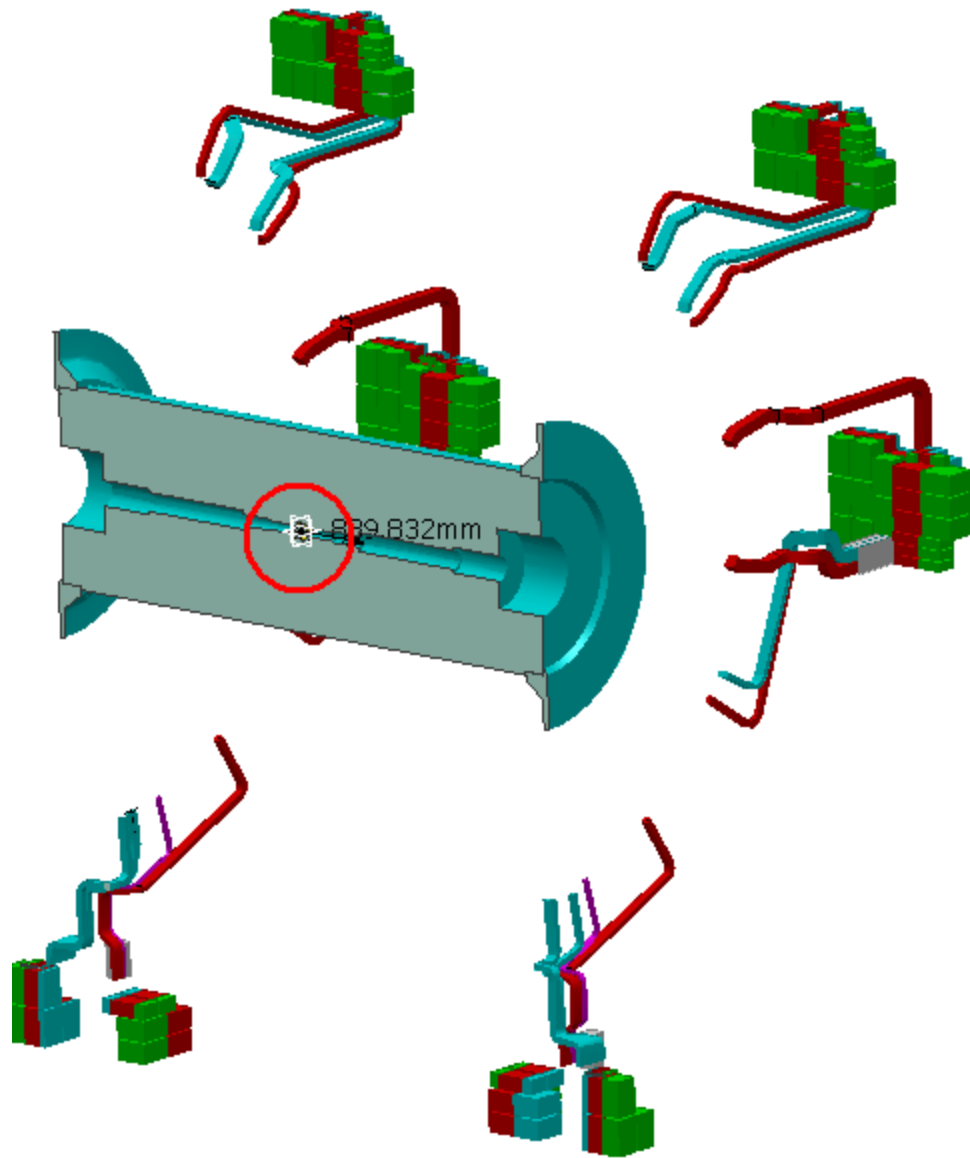


Clash value: ~ 889.8mm

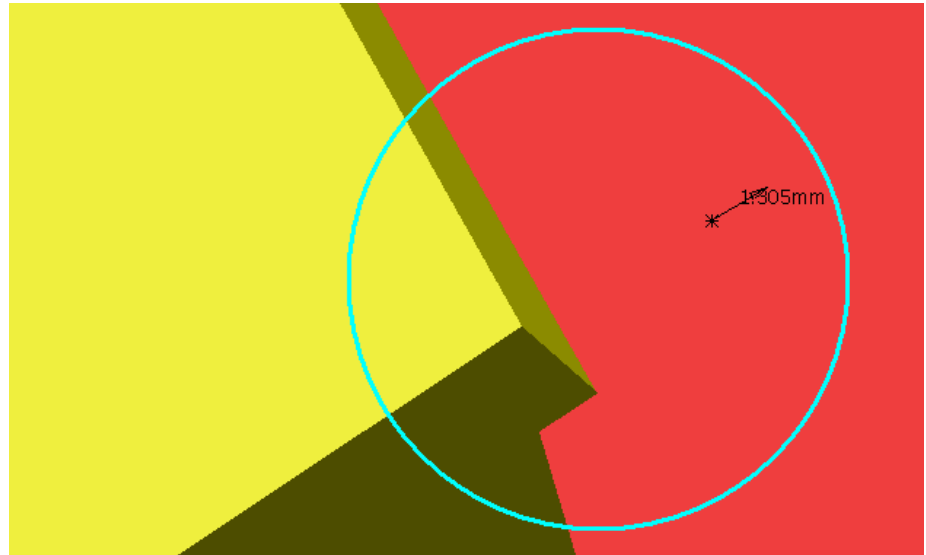
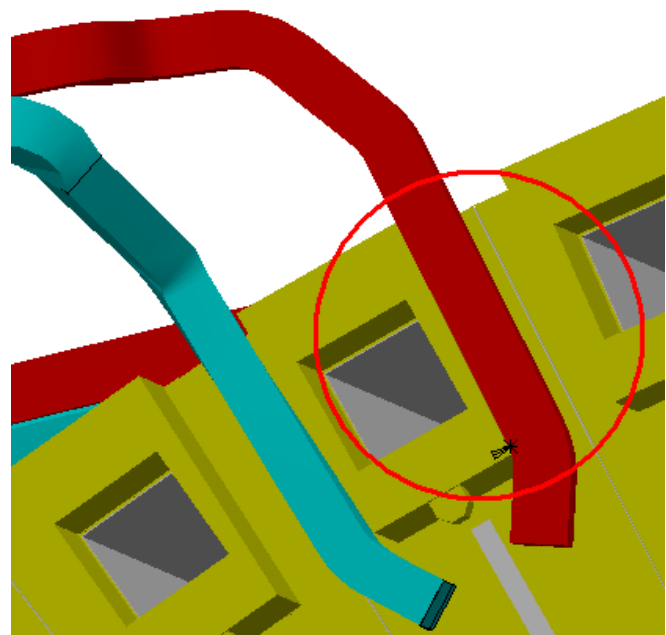
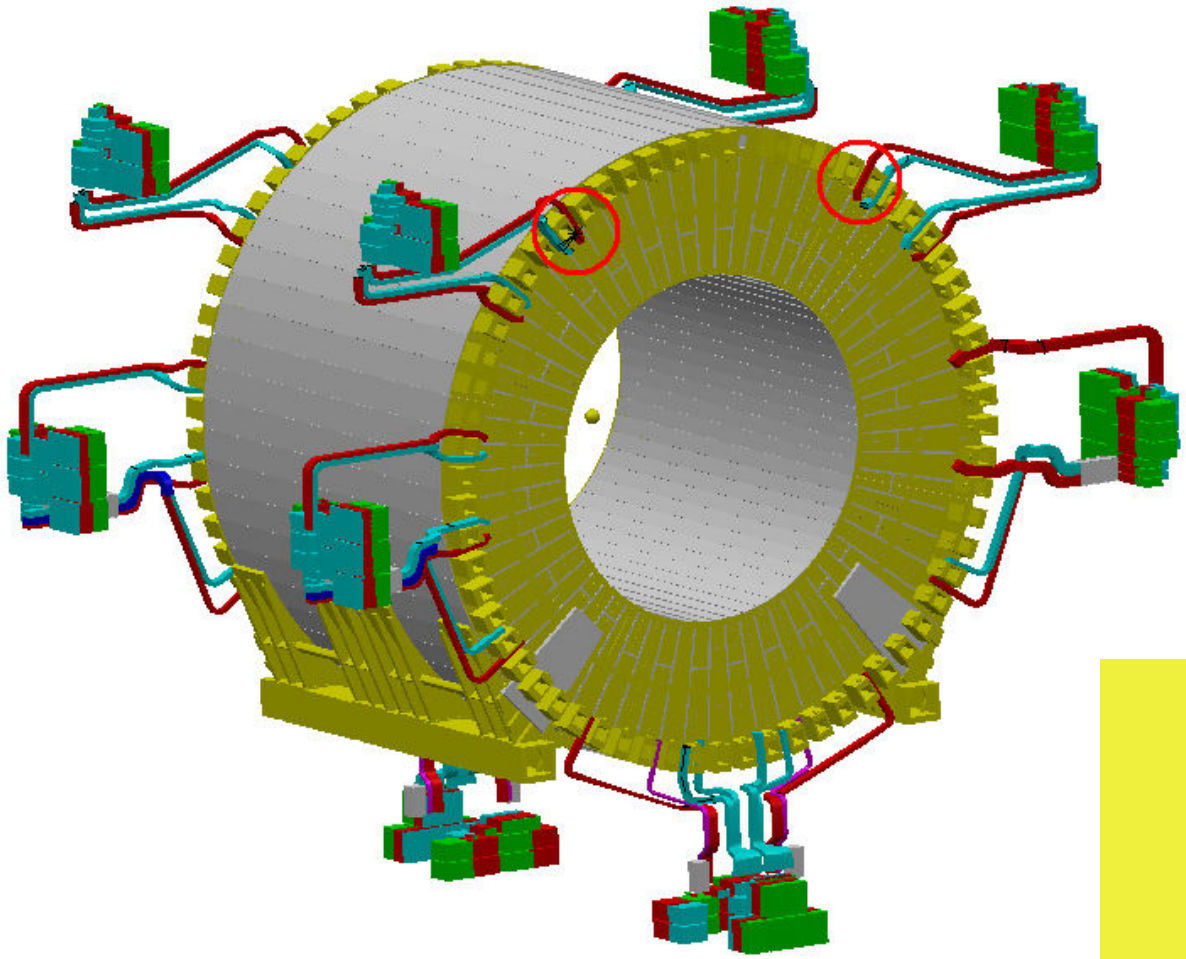
SIDE center of the system

Sector center of the system

Clash View:



AT392112MQ - INNER DETECTOR PP2 + SERVICES	NLB_0002 - LB TILE CALORIMETER - SIMPLIFIED 3-D OBJECT	Clash	-1.3 mm	Not inspected
---	---	-------	---------	---------------



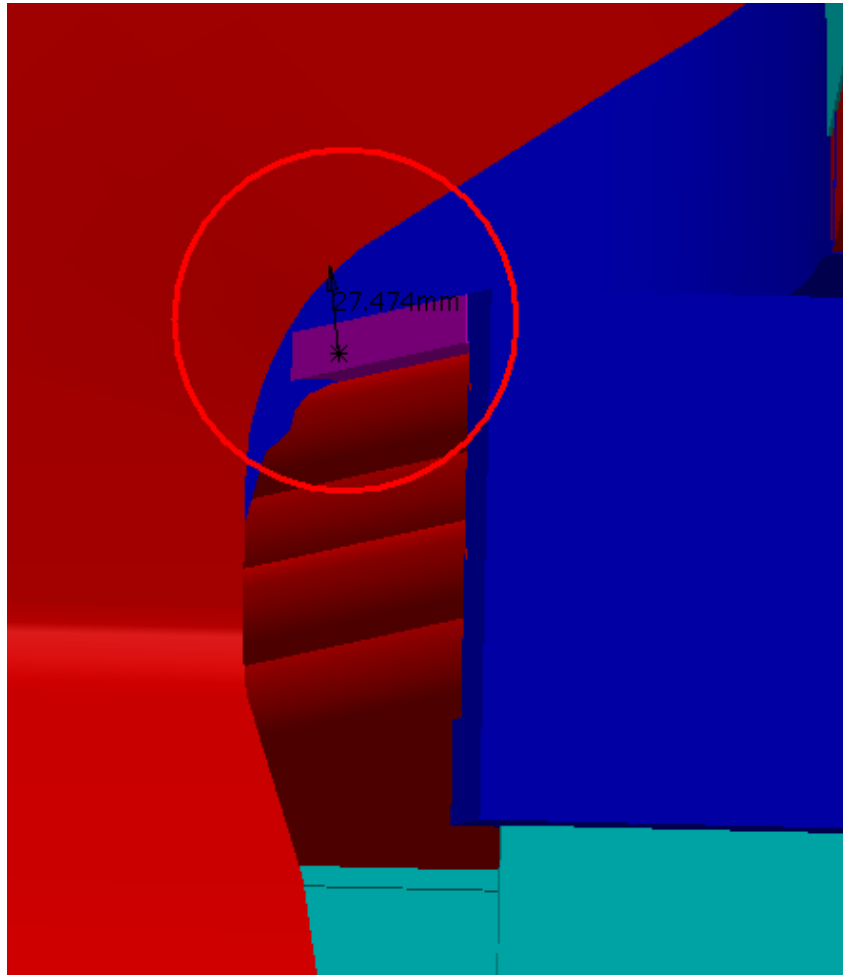
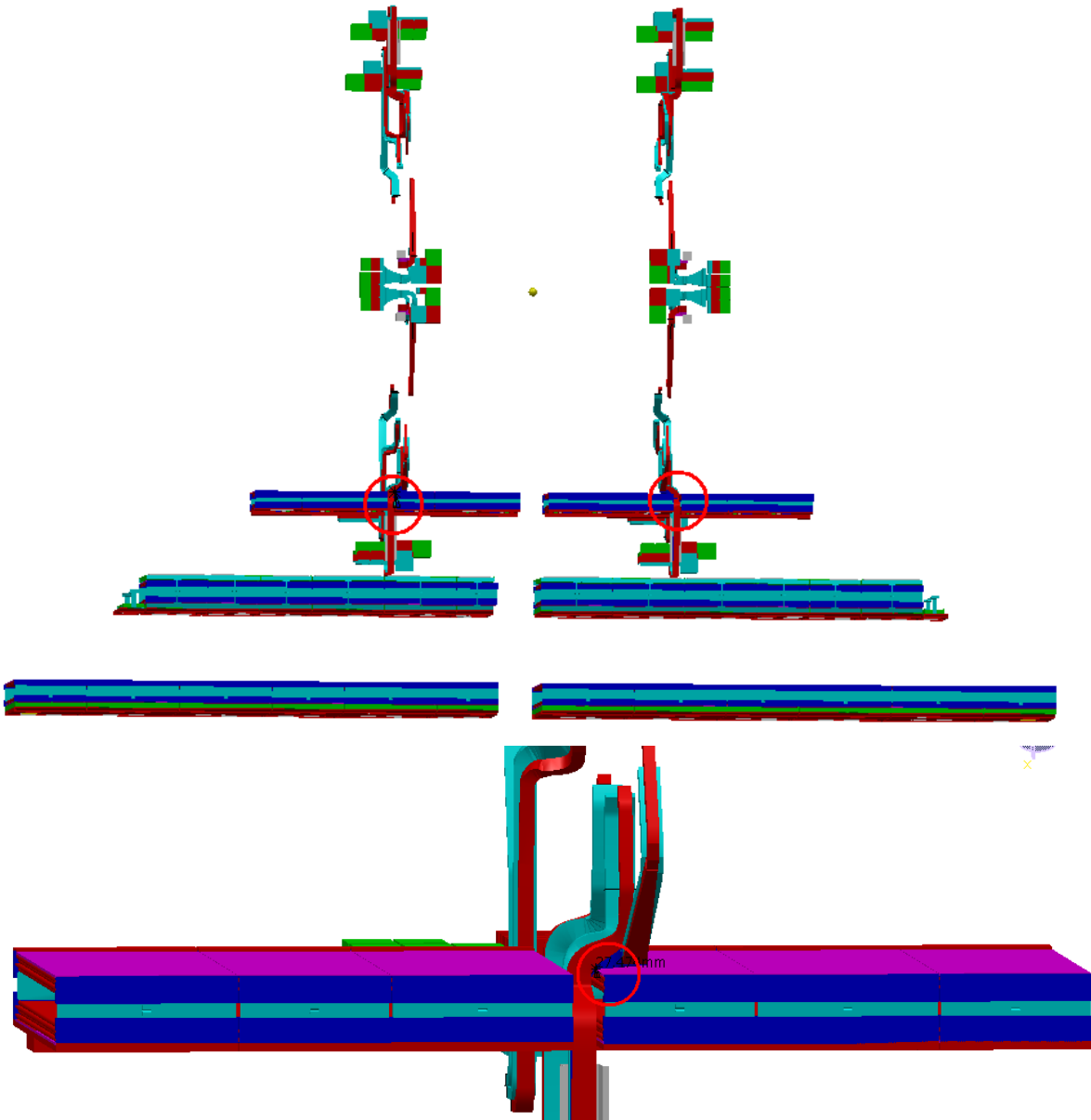
Clash value: ~ 1.3mm

SIDE A-C

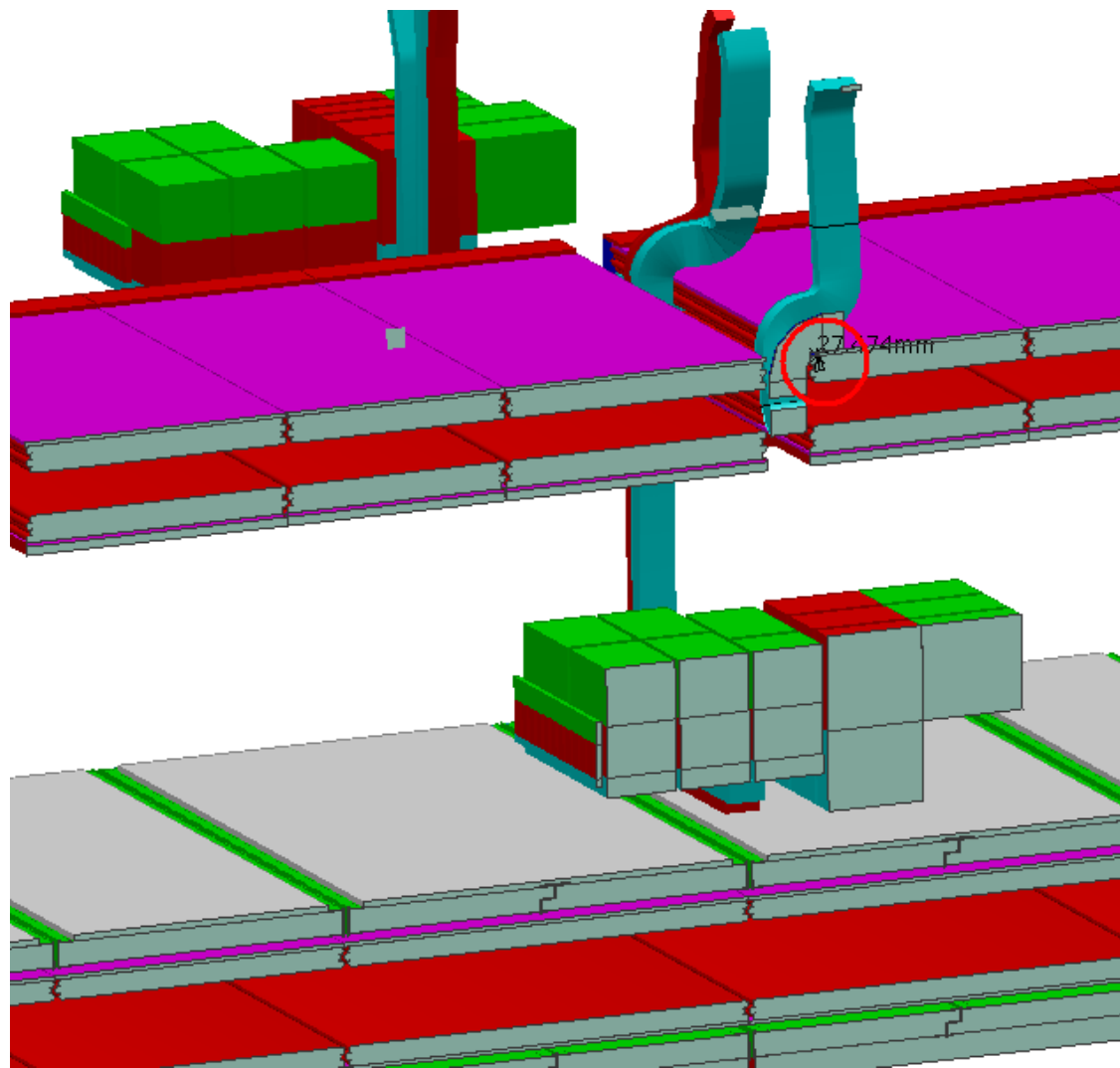
Sectors 3 & 7

The identical clashes exist on the opposite side of model

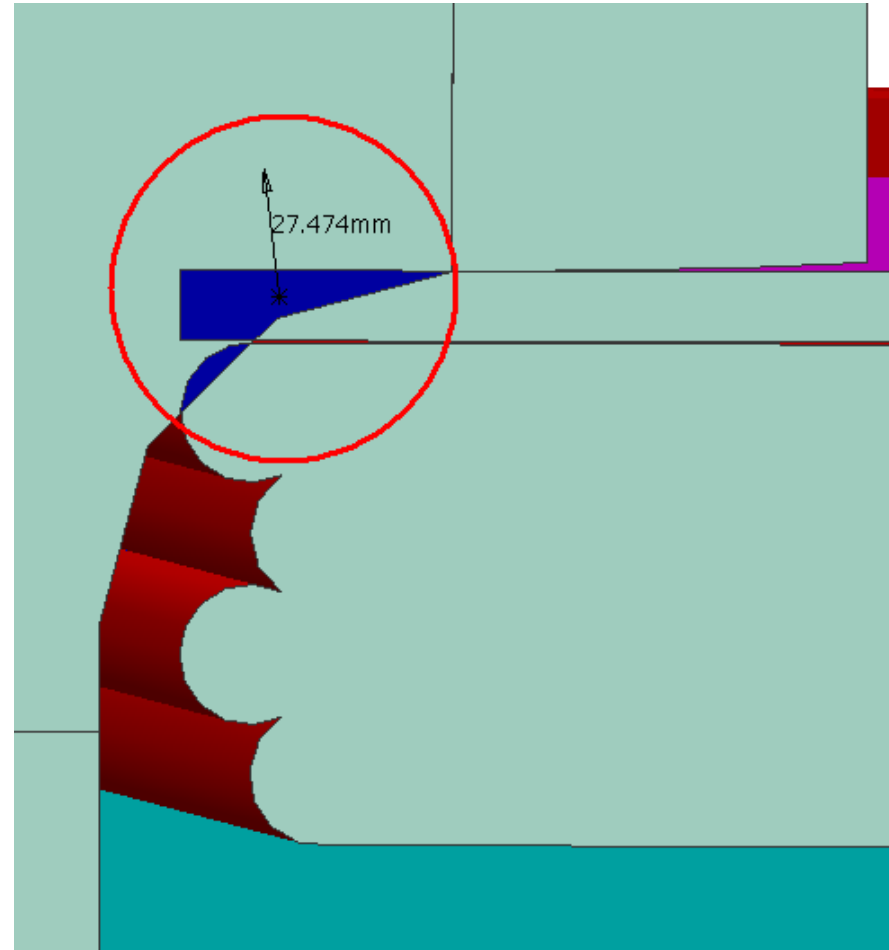
AT392112MQ - INNER DETECTOR PP2 + SERVICES	AT602152MQ - MUON BARREL CHAMBERS DETAILED - SECTOR 1	Clash	-27.5 mm	Not inspected
---	--	-------	----------	---------------



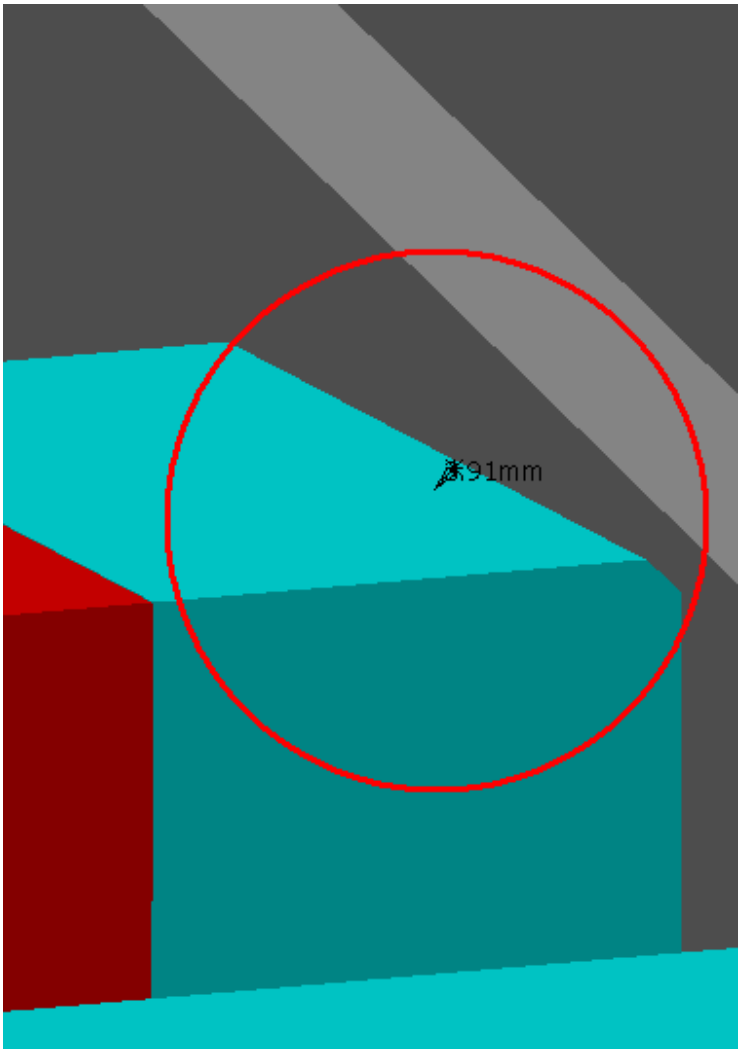
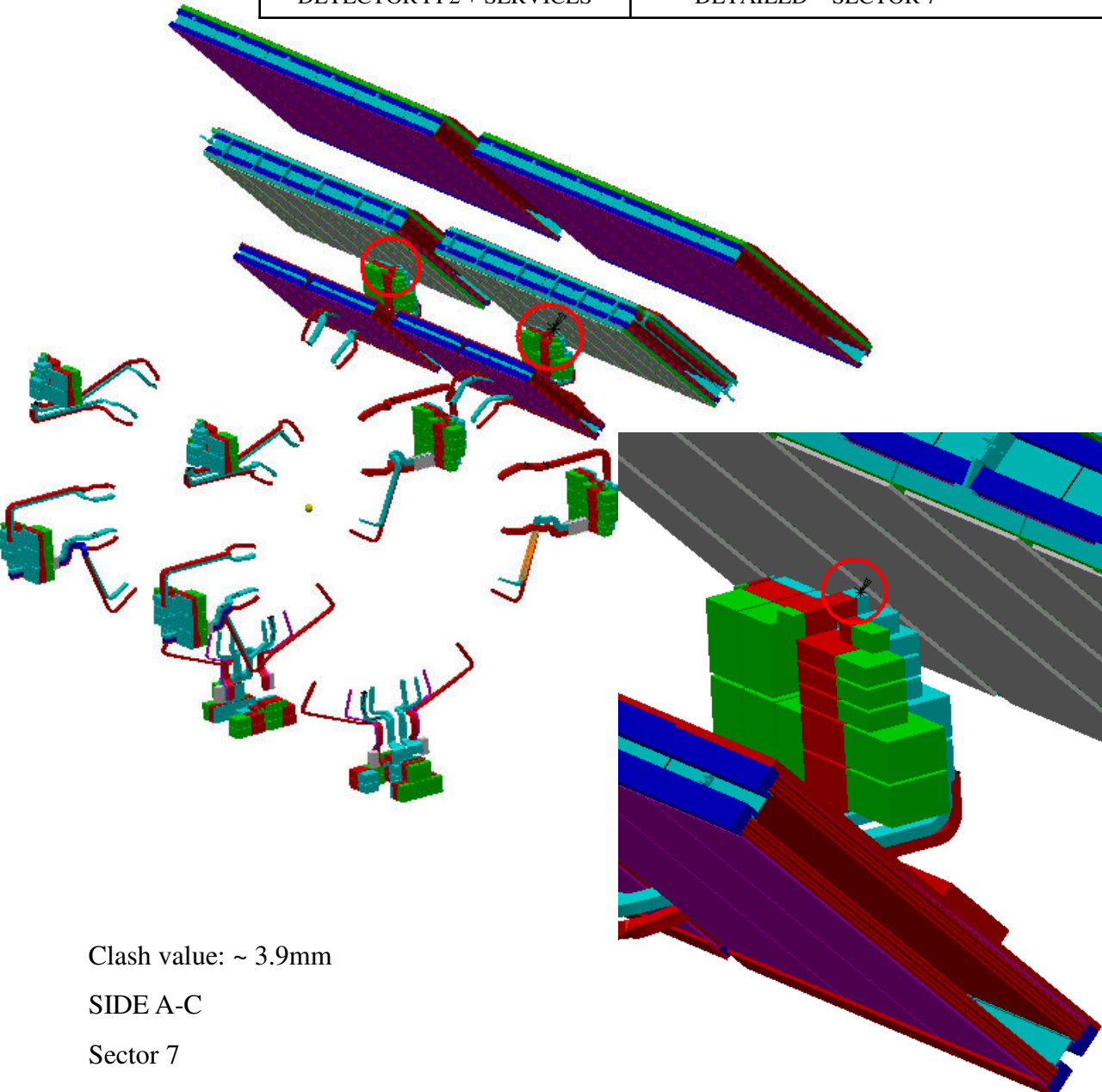
Clash value: ~ 27.5mm
 SIDE A-C
 Sector 1



Clash View:



AT392112MQ - INNER DETECTOR PP2 + SERVICES	AT602157MQ - MUON BARREL CHAMBERS DETAILED - SECTOR 7	Clash	-3.9 mm	Not inspected
---	--	-------	---------	---------------



Clash value: ~ 3.9mm

SIDE A-C

Sector 7

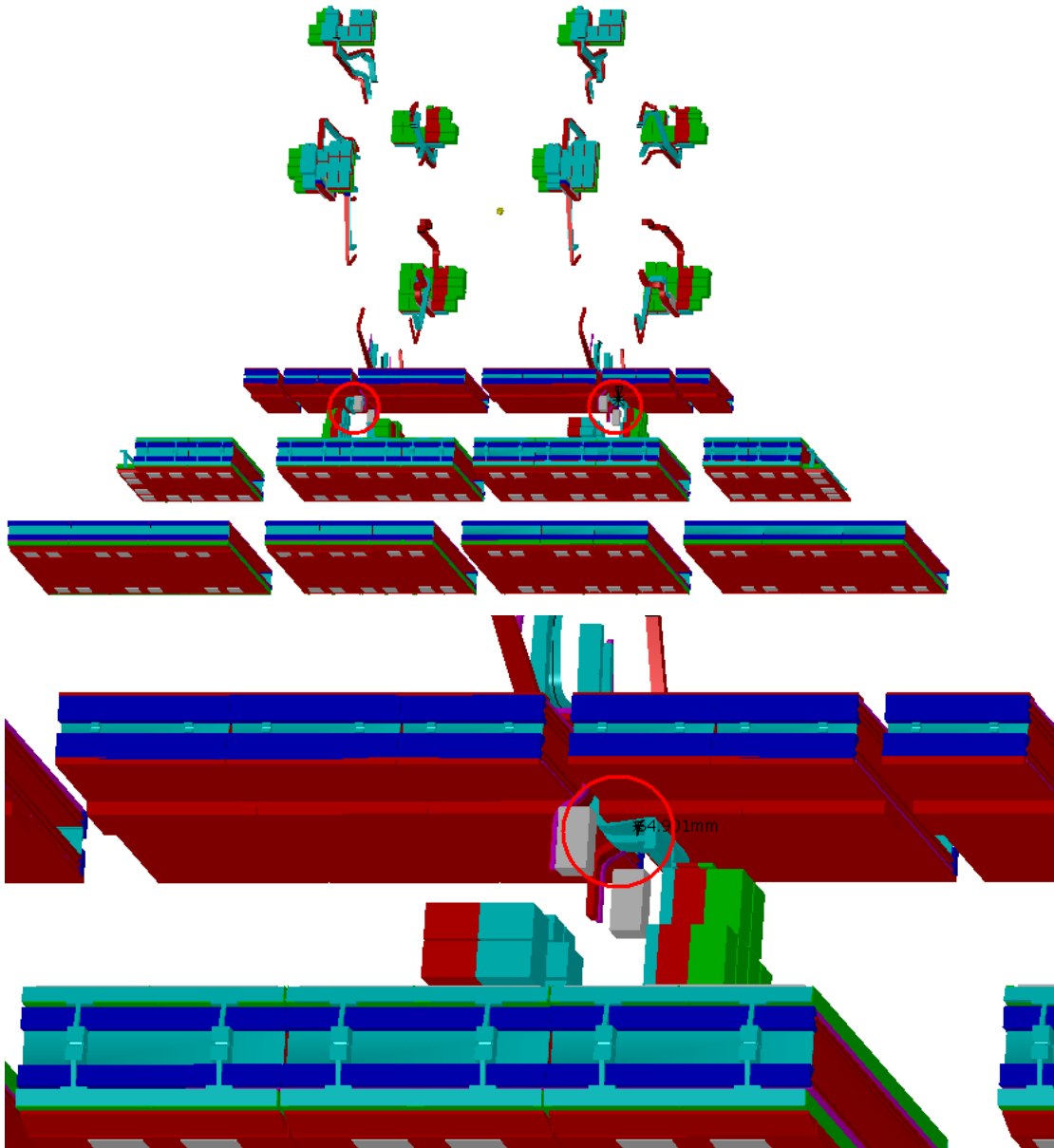
AT392112MQ - INNER
DETECTOR PP2 + SERVICES

AT602165MQ - MUON BARREL CHAMBERS
DETAILED - SECTOR 13

Clash

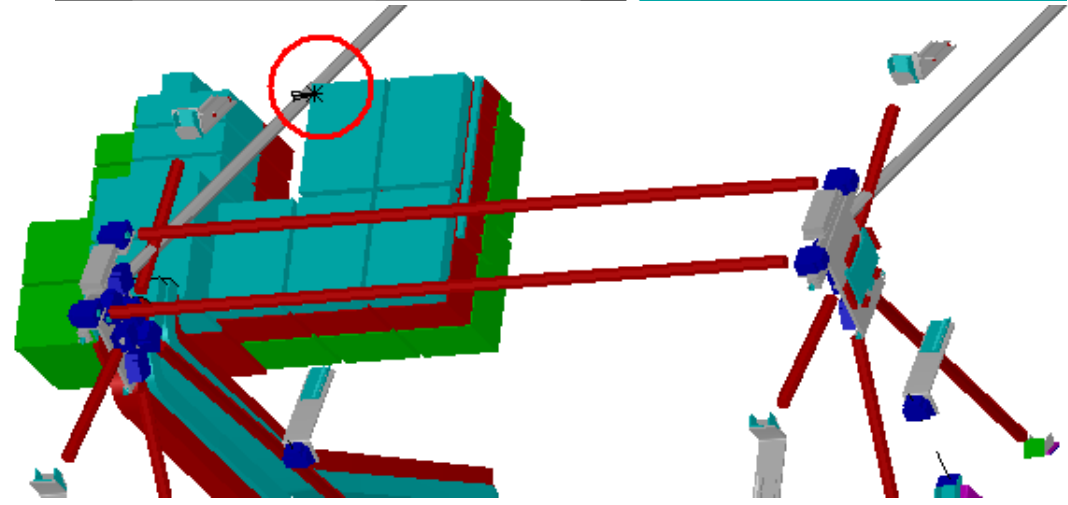
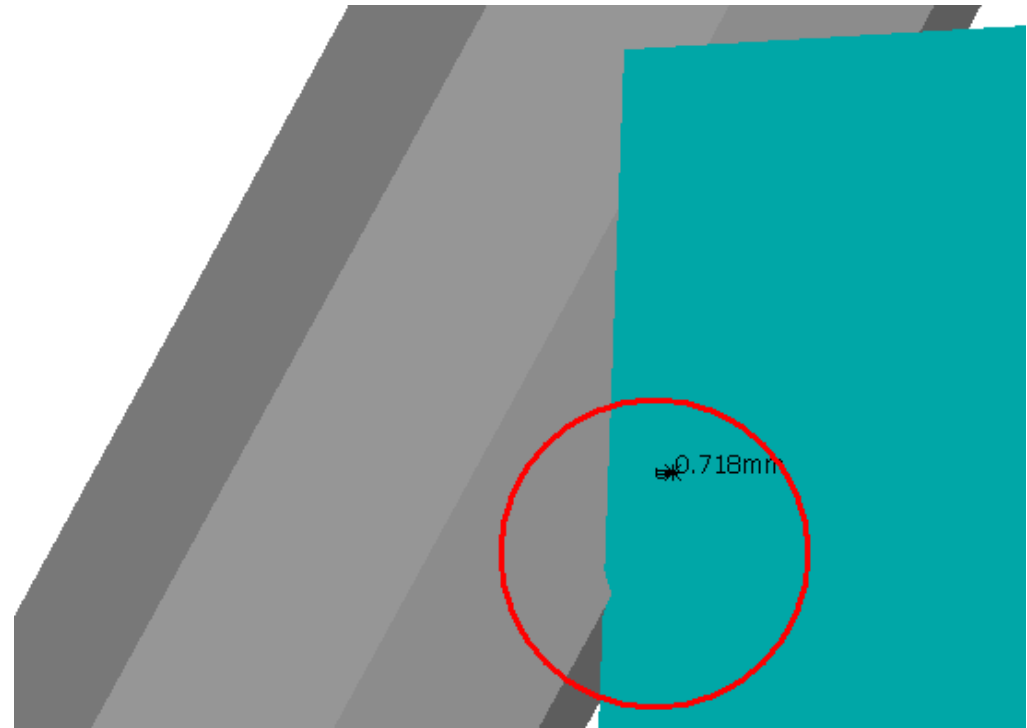
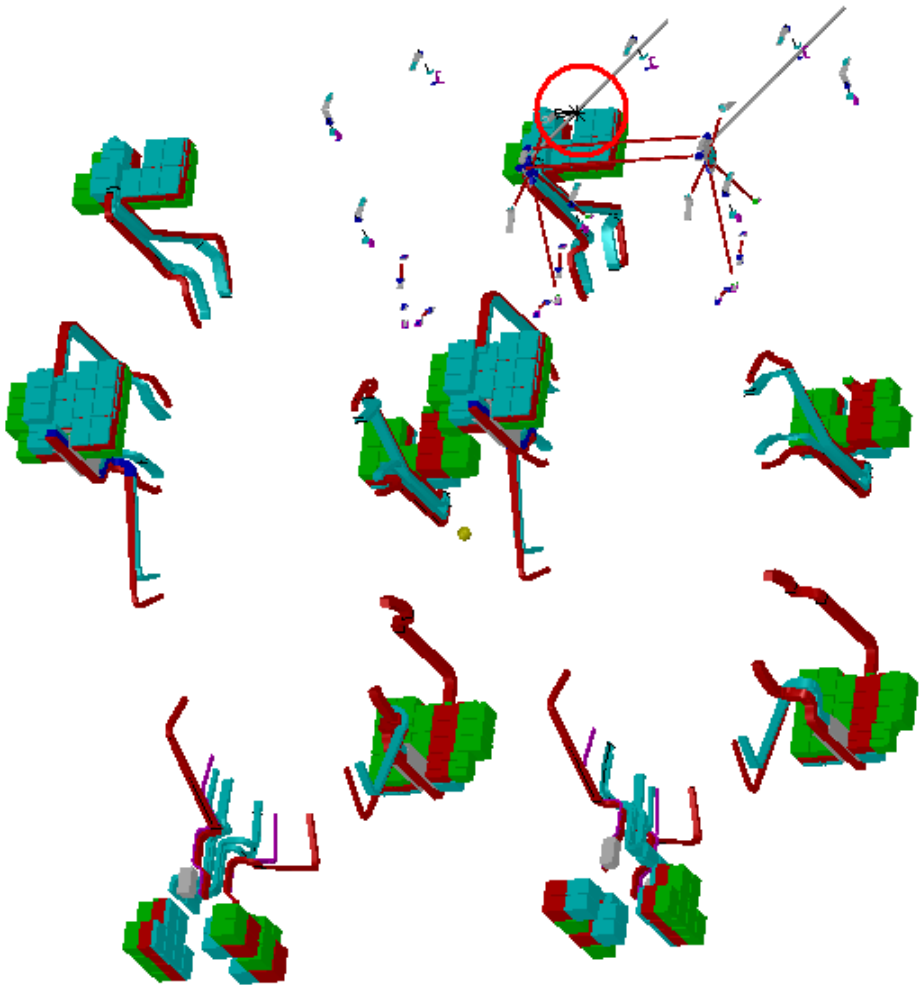
-64.9 mm

Not inspected



Clash value: ~ 64.9mm
SIDE A-C
Sector 13

AT392112MQ - INNER DETECTOR PP2 + SERVICES	NMA_0011 - SECTOR 02 SIDE C (A) - REFERENCE ALIGNMENT SYSTEM AND	Clash	-0.7 mm	Not inspected
---	---	-------	---------	---------------

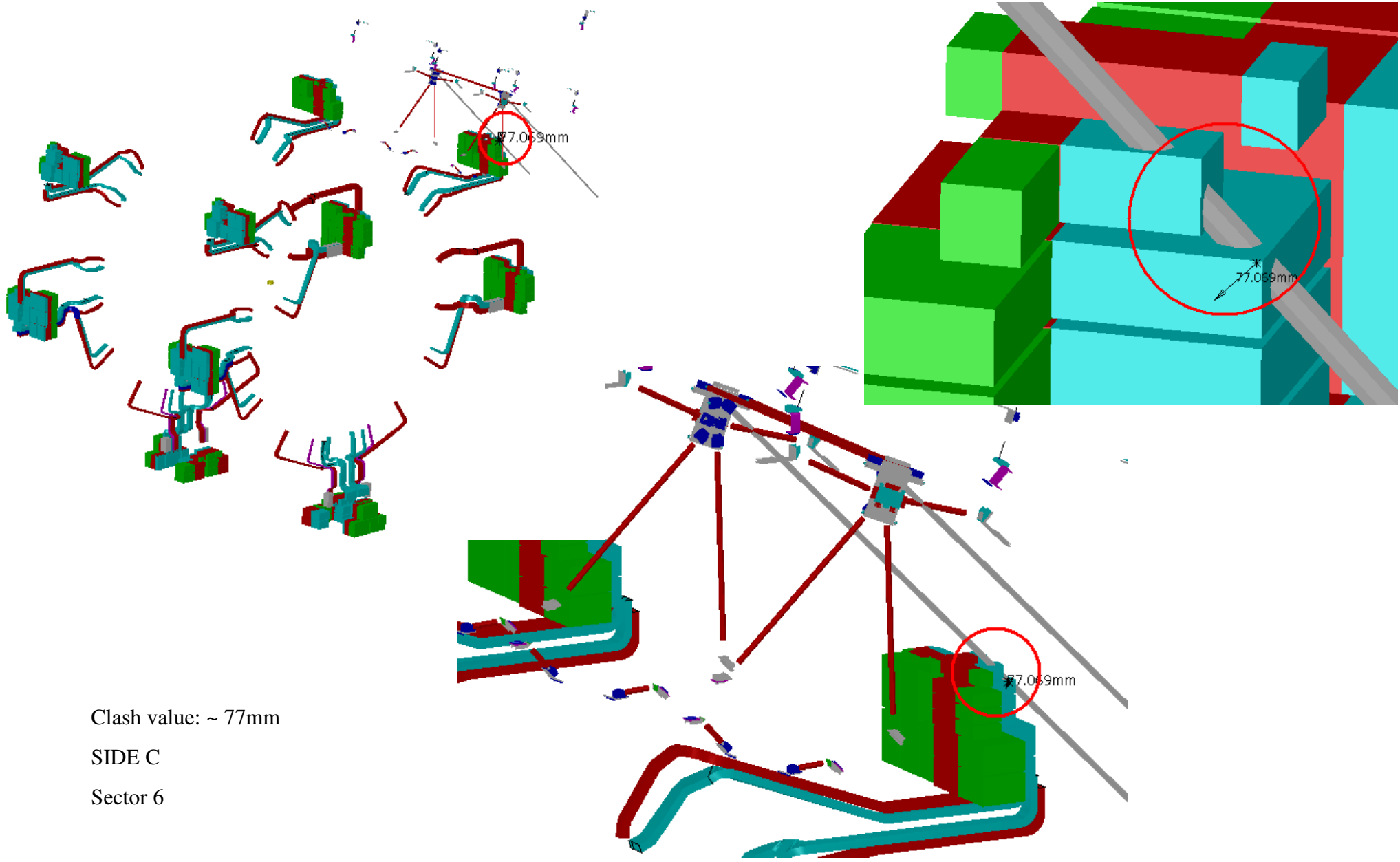


Clash value: ~ 0.7mm

SIDE C

Sector 2

AT392112MQ - INNER DETECTOR PP2 + SERVICES	NMA_0013 - SECTOR 06 SIDE C (A) - REFERENCE ALIGNMENT SYSTEM AND	Clash	-77 mm	Not inspected
---	---	-------	--------	---------------



Clash value: ~ 77mm

SIDE C

Sector 6

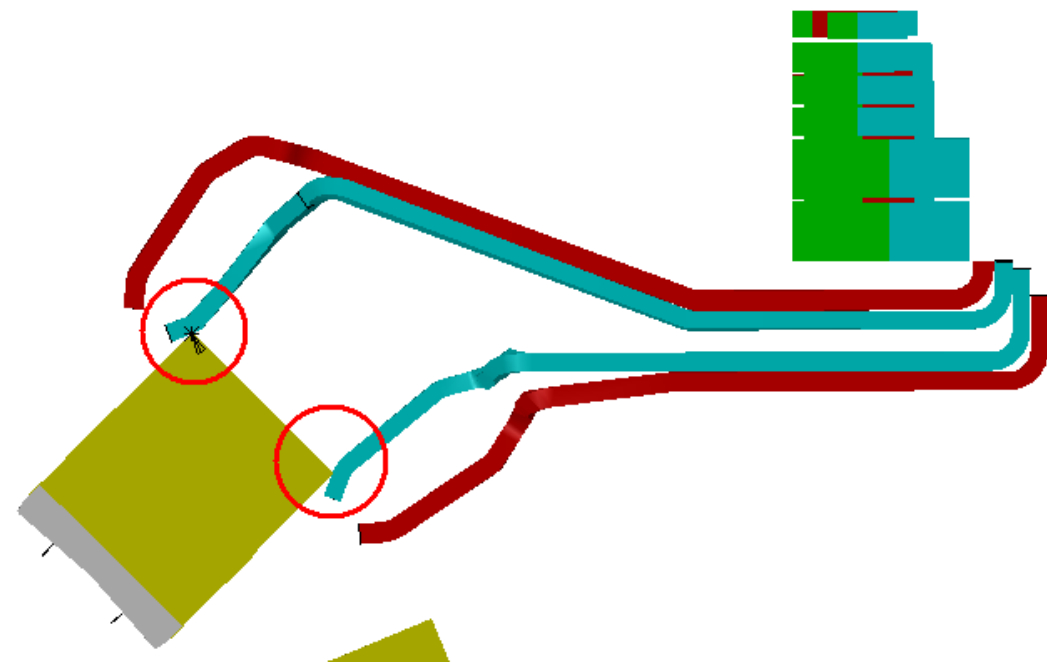
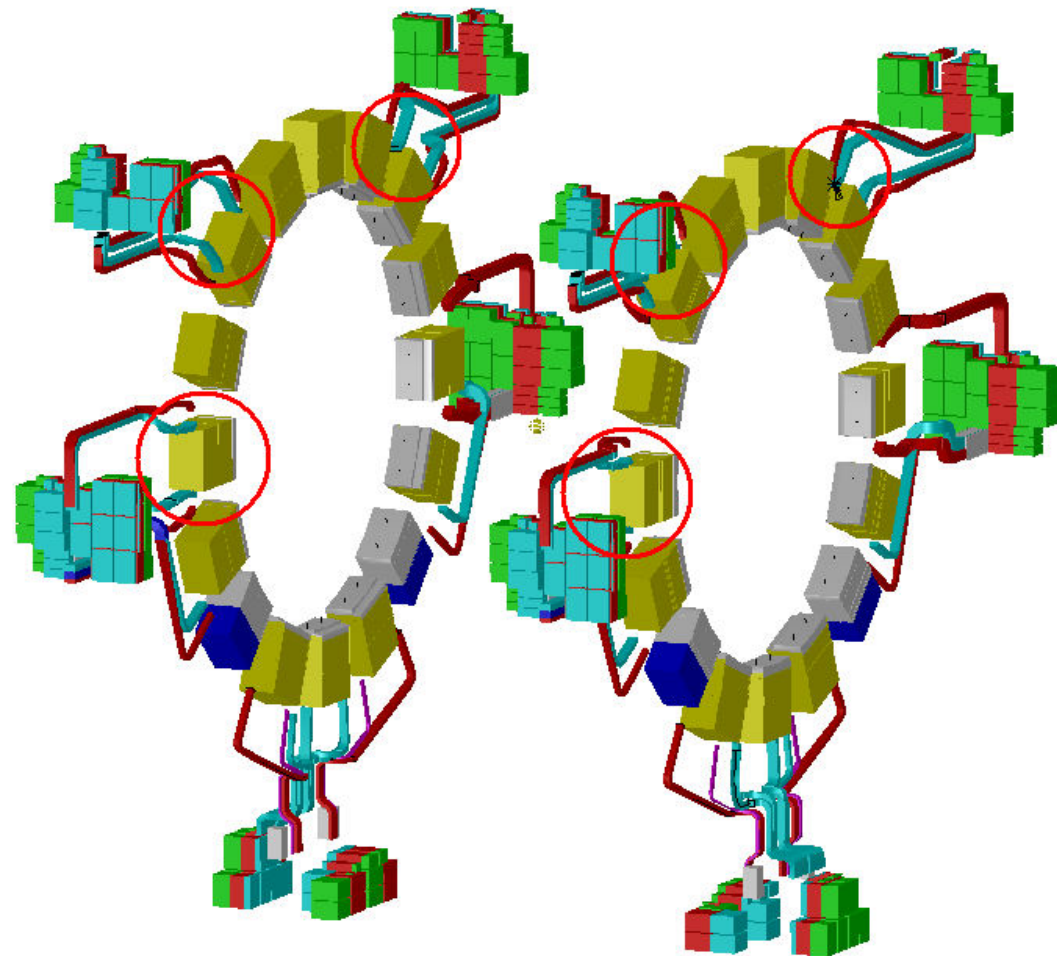
AT392112MQ - INNER
DETECTOR PP2 + SERVICES

NSB_0004 - LAR BARREL ELECTRONIC CRATES -
SIMPLIFIED 3-D OBJECT

Clash

-4.6 mm

Not inspected

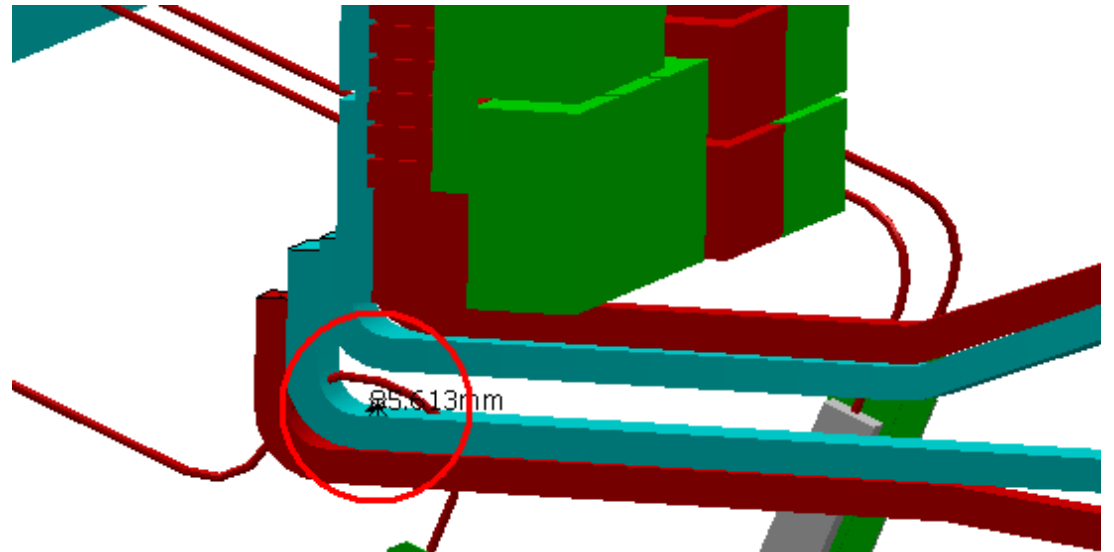
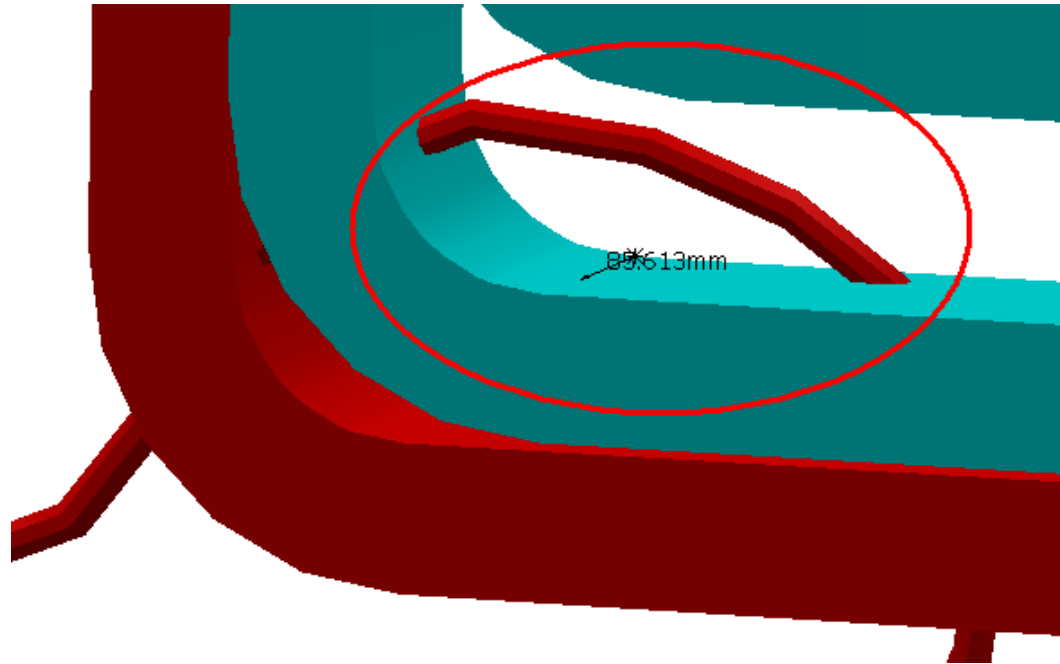
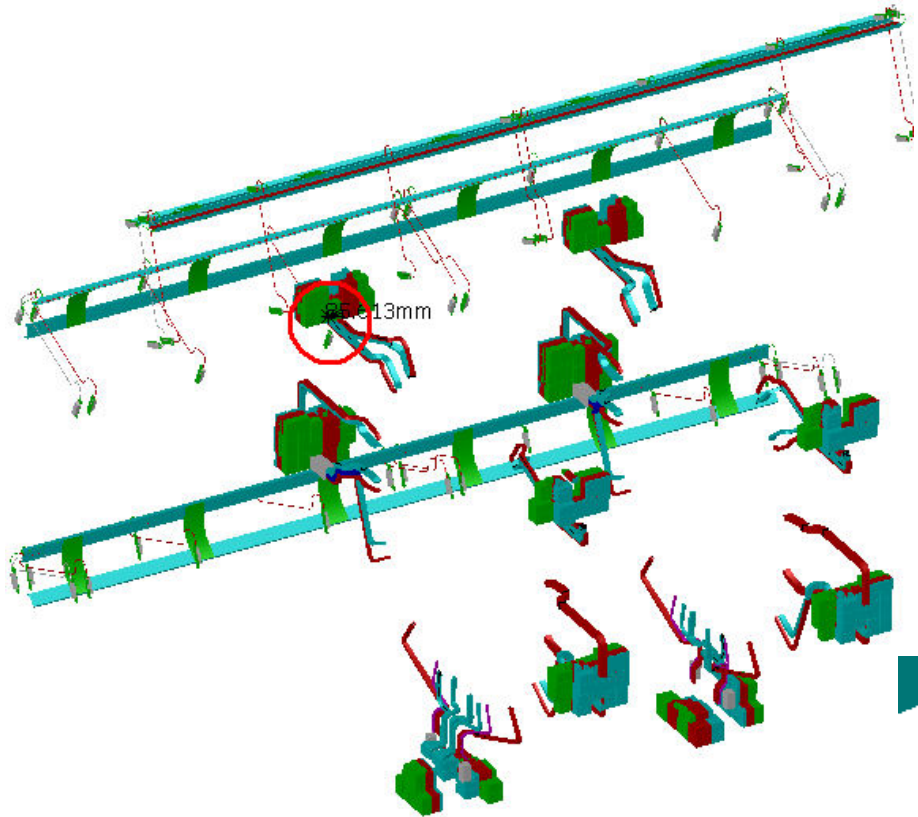


Clash value: ~ 4.6mm

SIDE A-C

Sectors 1,3,7

AT392112MQ - INNER DETECTOR PP2 + SERVICES	NSM_0014 - BT HEATER BOXES AND CABLES - FOR SEC 2,4,6,8,10	Clash	-85.6 mm	Not inspected
---	---	-------	----------	---------------



Clash value: ~ 85.6 mm

SIDE C

Sector 2