

Revised by Tomas 28/07/2005

Clash Publish

Revised by Liudmila 8/07/2005



Clash Computation Specification

Products Selected

AT112396MQ Heater Cable Distribution in foot (ATCNSM_0016)	ATCNMA_0016 SECTOR 12 SIDE C (A) - REFERENCE ALIGNMENT SYSTEM	37mm	Warning
	AT782546MQ Trays in Feet Region /S.12-13/	45mm	Relevant
	ATCVHB_0001 CENTRAL PAIR OF FEET B - DETAILED MODEL FOR STANDARDS	-0.61	Relevant
	ATCVHB_0002 STANDARD PAIR OF FEET A1 (C1) - DETAILED MODEL FOR STANDARDS	-0.61	Relevant
	ATCVHB_0003 STANDARD PAIR OF FEET A2 (C2) - DETAILED MODEL FOR STANDARDS	-9.81	Not Relevant
	ATCVHB_0004 STANDARD PAIR OF FEET A3 (C3) - DETAILED MODEL FOR STANDARDS	-0.61	Relevant
	ATCVHB_0005 EXTREMITY PAIR OF FEET A4 (C4) - DETAILED MODEL FOR STANDARDS	-14.83	Not Relevant
	ATCVHB_0002 M STANDARD PAIR OF FEET A1 (C1) - DETAILED MODEL FOR STANDARDS	-0.61	Relevant
	ATCVHB_0003 M STANDARD PAIR OF FEET A2 (C2) - DETAILED MODEL FOR STANDARDS	-9.81	Not Relevant
	ATCVHB_0004 M STANDARD PAIR OF FEET A3 (C3) - DETAILED MODEL FOR STANDARDS	-0.61	Relevant
	ATCVHB_0005 M EXTREMITY PAIR OF FEET A4 (C4) - DETAILED MODEL FOR STANDARDS	-14.87	Not Relevant

Products Selected			
AT112396MQ Heater Cable Distribution in foot	ATCNSM_0015 BT HEATER BOXES AND CABLES - FOR FOOT REGION	-61.03	Not Relevant
	ATCNTB_0002 TB FEET COIL - SECTOR 12	-24.93	Not Relevant
	ATCNTB_0003 TB WARM STRUCTURE - SIMPLIFIED 3-D OBJECT	-46.29	Not Relevant
	ATCNTB_0004 TB CRYORING BOTTOM SECTORS - (11, 13, 15)	-71.13	Not Relevant

Computation Result:

WARNING

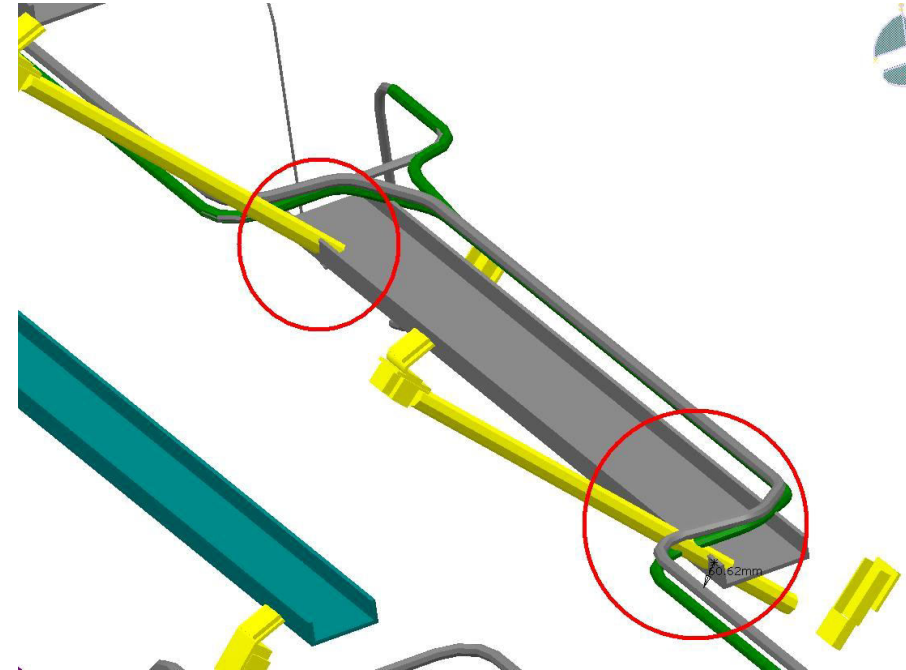
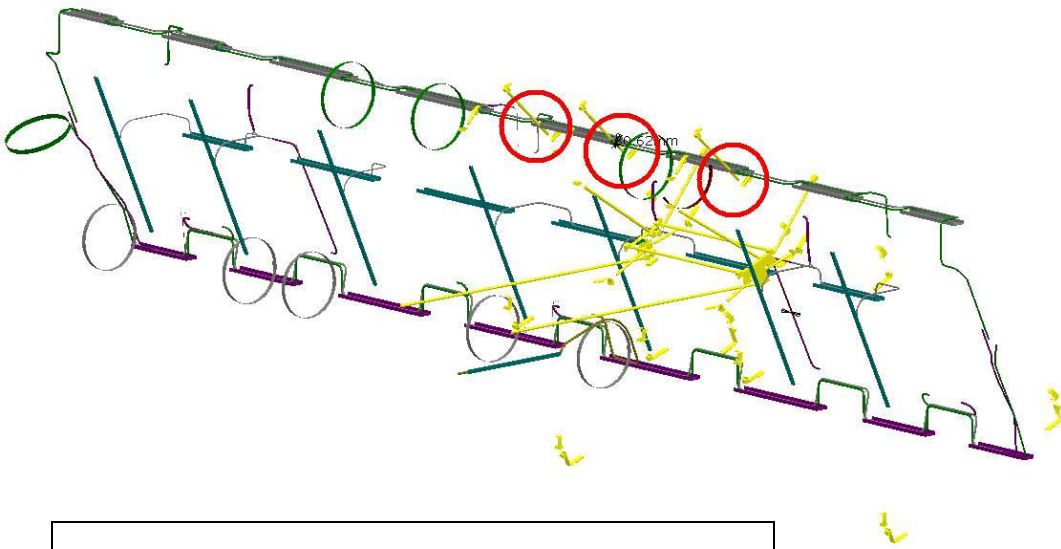
AT112396MQ – BT HEATER CABLE
DISTRIBUTION – FOR FOOT REGION

ATCNMA_0016 – SECTOR 12 SIDE C (A) -
REFERENCE ALIGNMENT SYSTEM

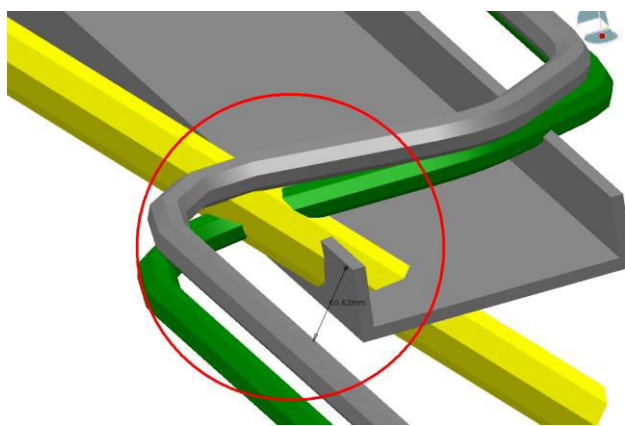
Clash

-60 mm

Warning



Liudmila: Cable positions
are very approximately.
Cable can be in different
position



Olga: It is Warning

Clash value: ~ 60 mm
Sector 12

AT112396MQ – BT HEATER CABLE DISTRIBUTION – FOR FOOT REGION

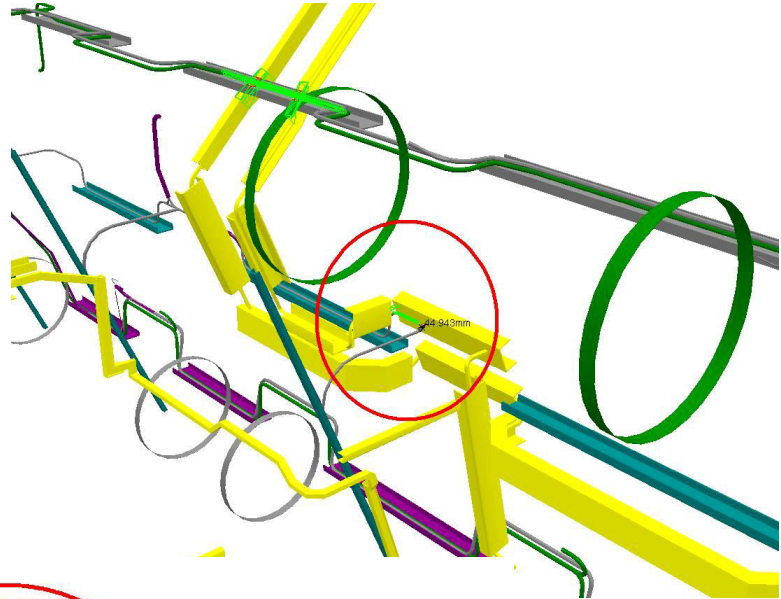
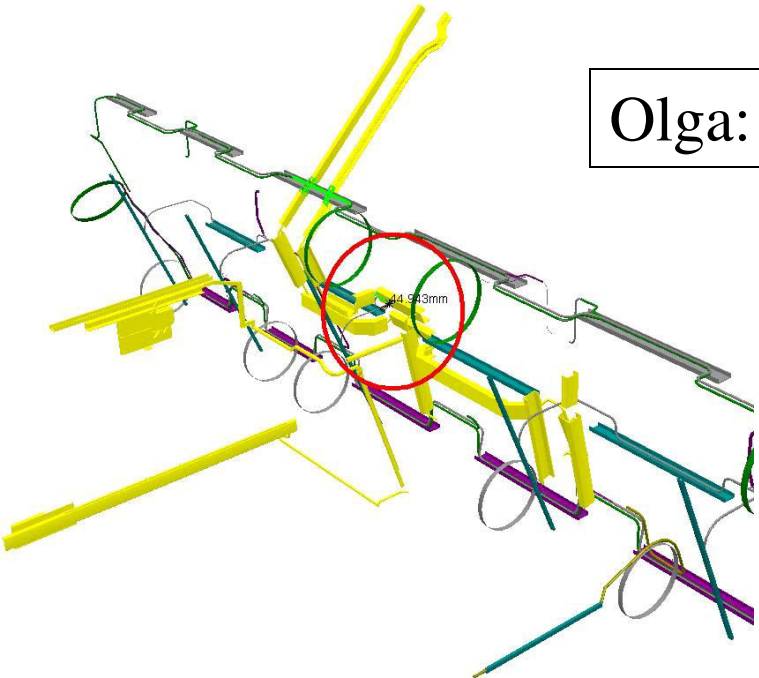
AT782546MQ – Trays in Feet Region /S.12-13/

Clash

45 mm

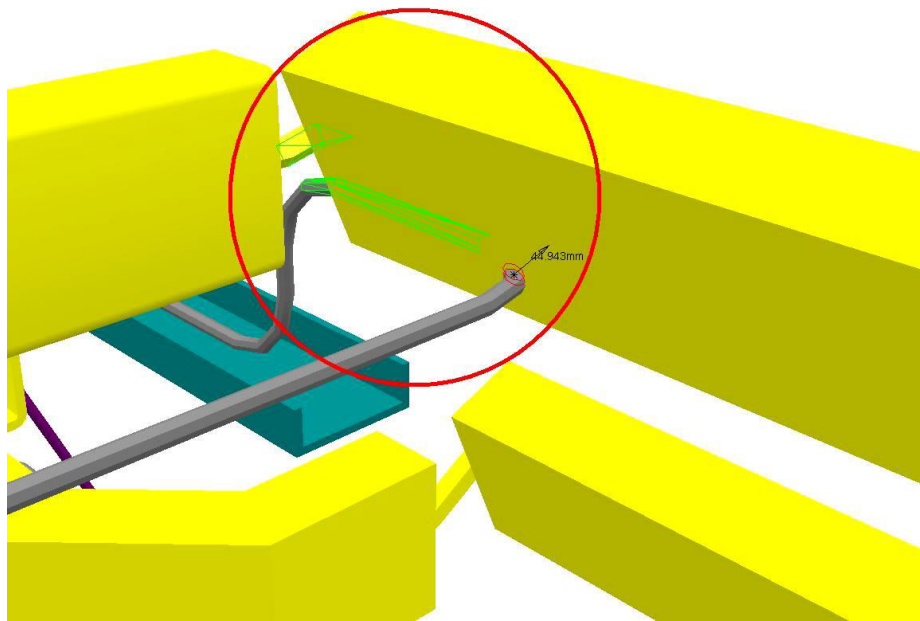
Relevant

Olga: It is Relevant

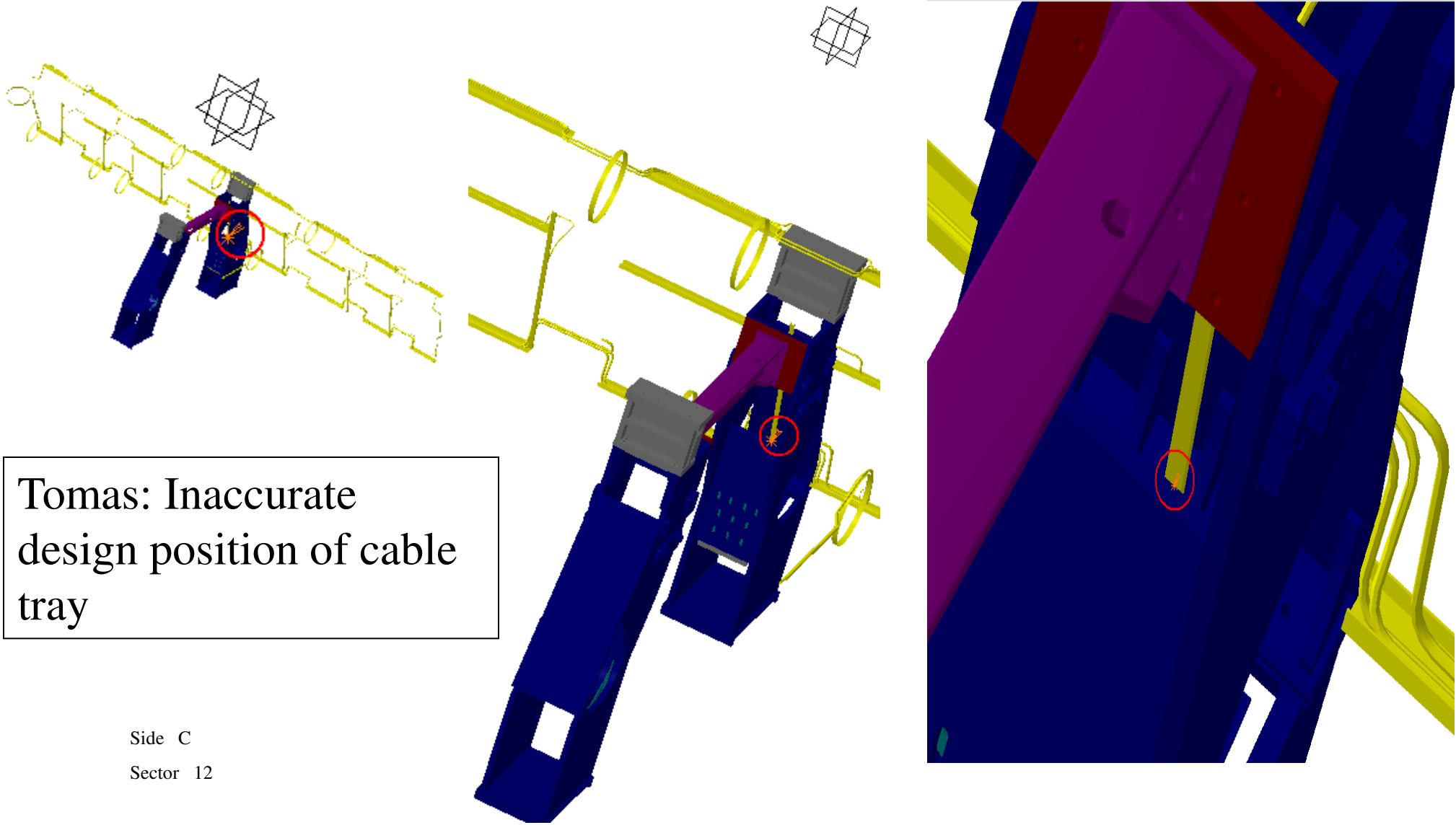


Liudmila: Cable positions are very approximately. Cable can be in different position

Clash value: ~ 45 mm
SIDE A, Sector 12



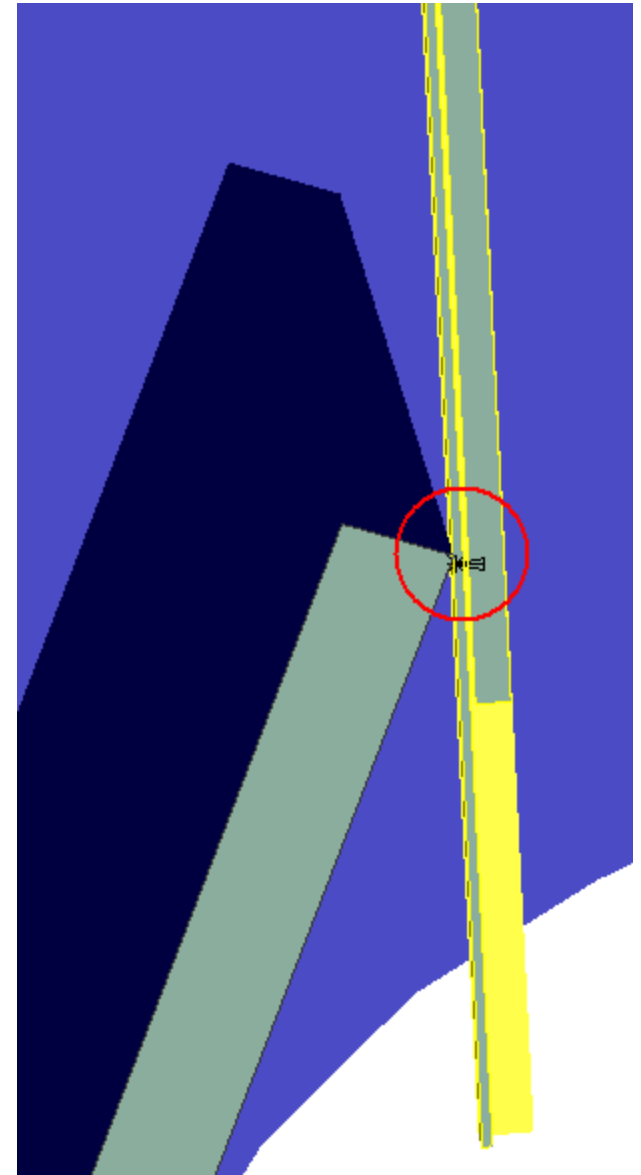
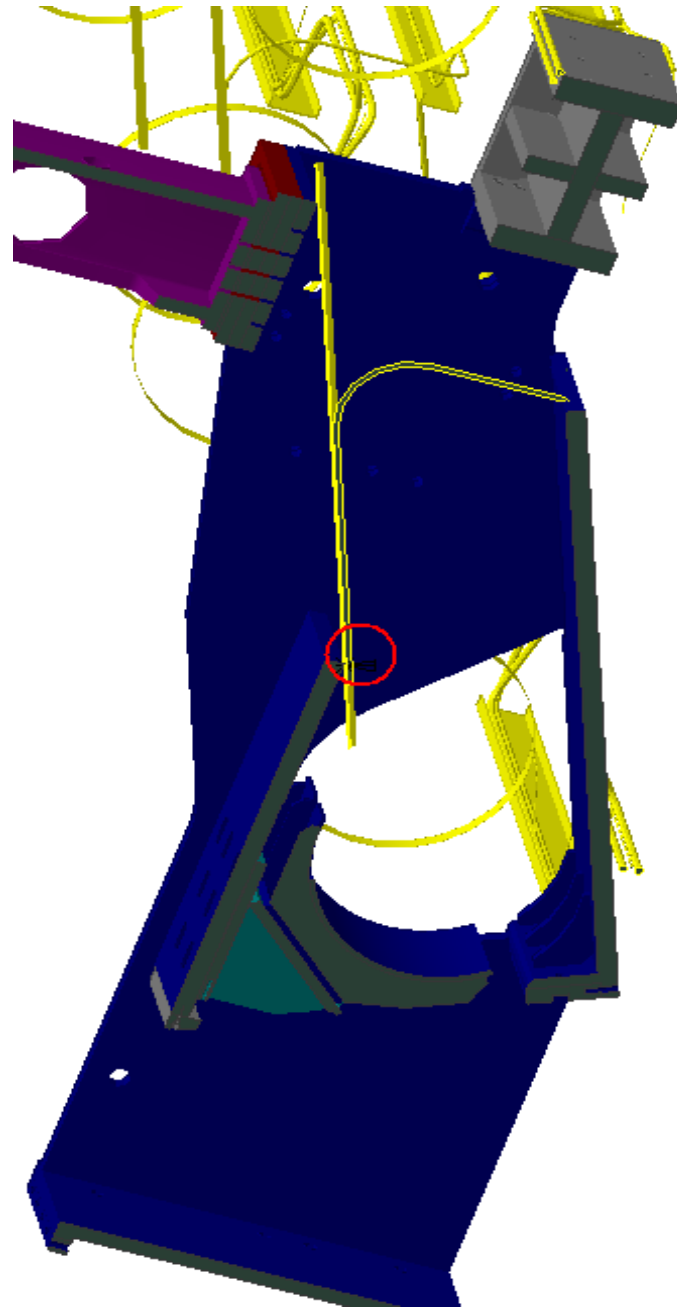
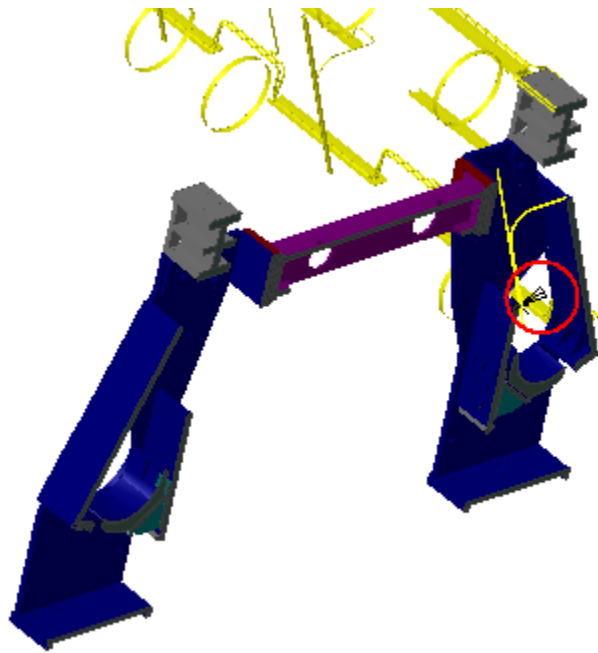
AT112396MQ Heater Cable Distribution in foot Sector 12	ATCVHB_0001 CENTRAL PAIR OF FEET B - DETAILED MODEL FOR STANDARDS	Clash	-0.61mm	Relevant
---	--	-------	---------	----------



Tomas: Inaccurate design position of cable tray

Side C
Sector 12

Clash View 1:



RELEVANT

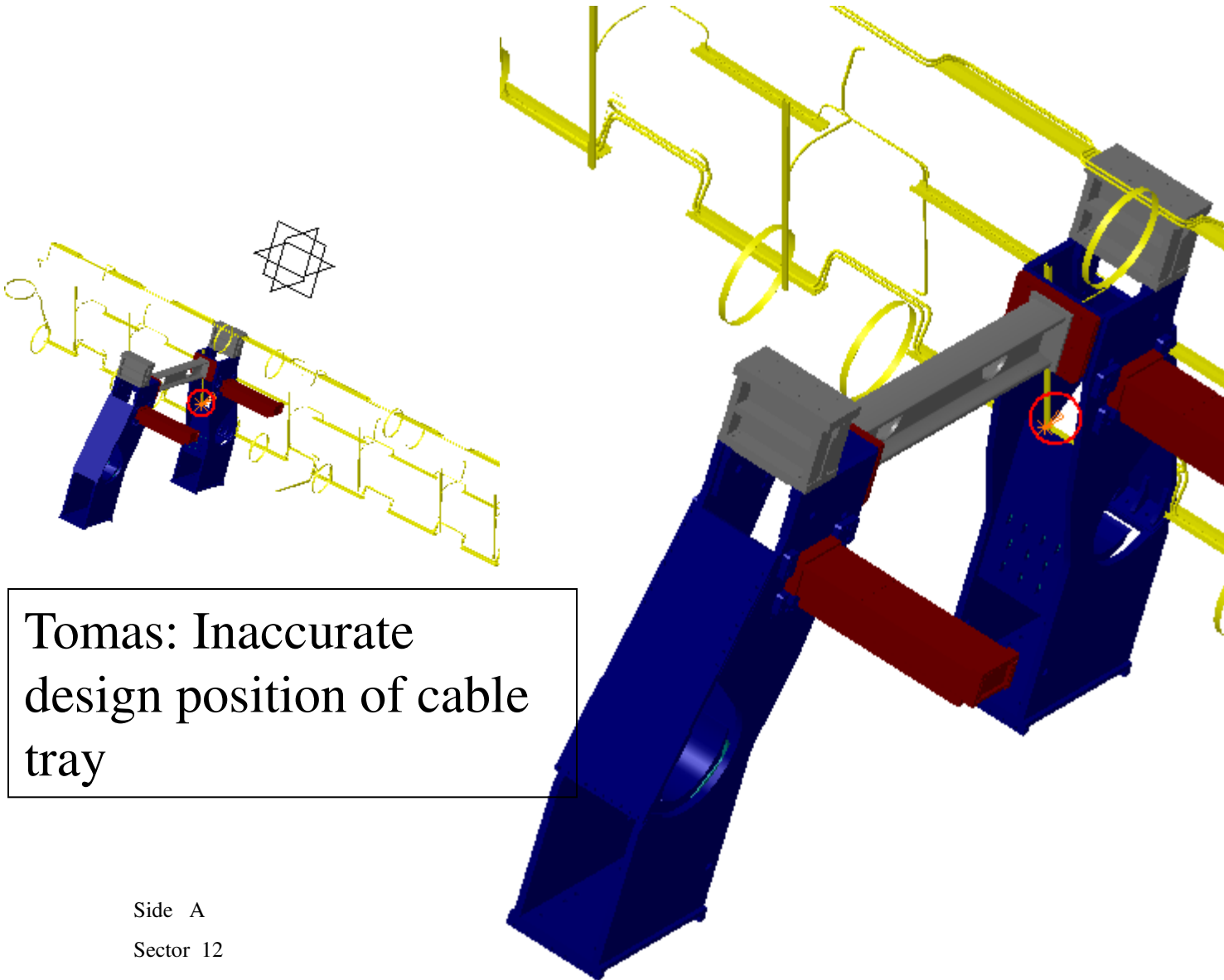
AT112396MQ Heater Cable
Distribution in foot Sector 12

ATCVHB_0002 STANDARD PAIR OF
FEET A1 (C1) - DETAILED MODEL
FOR STANDARDS

Clash

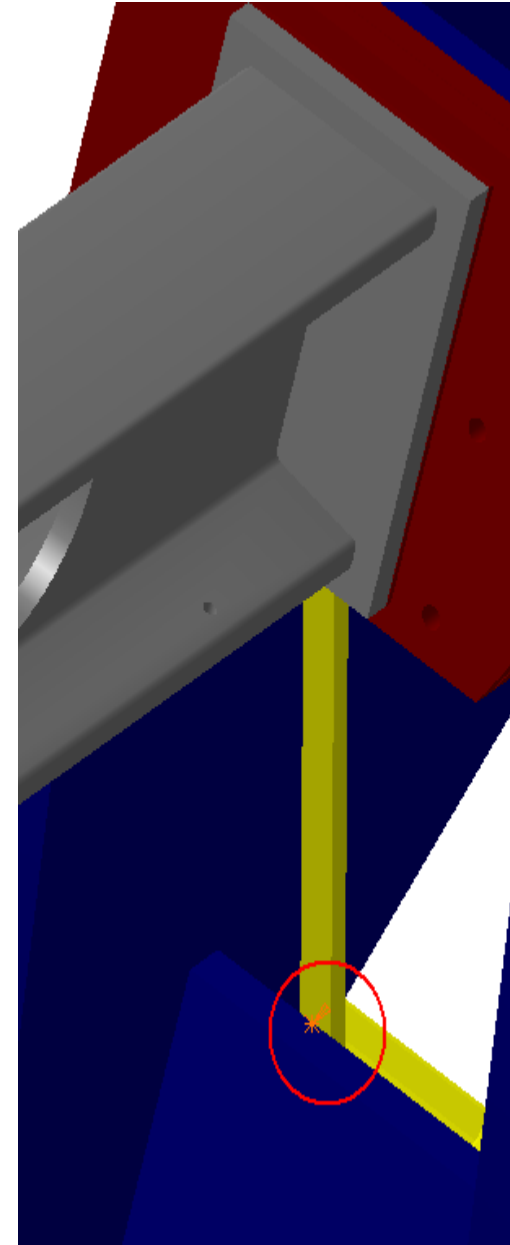
-0.61mm

Relevant

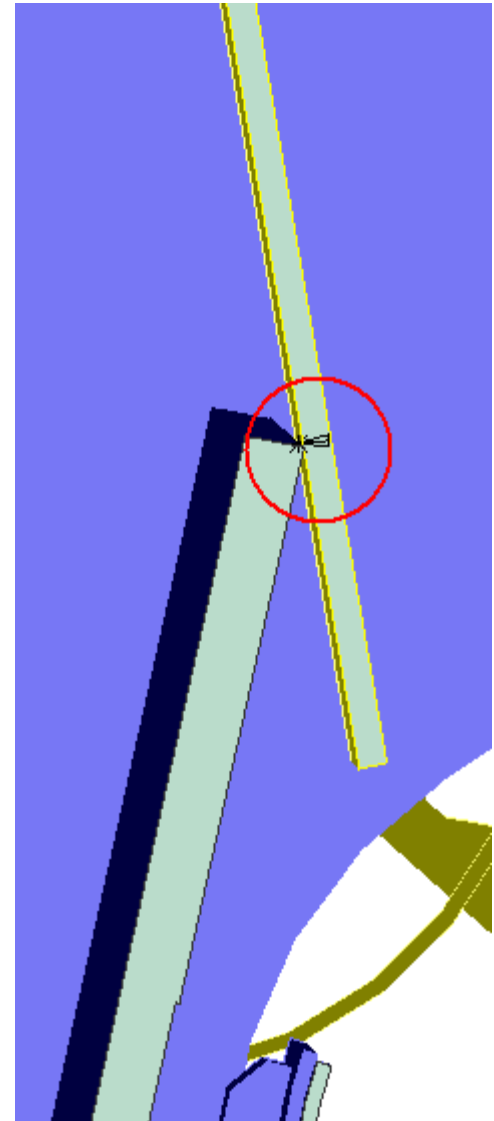
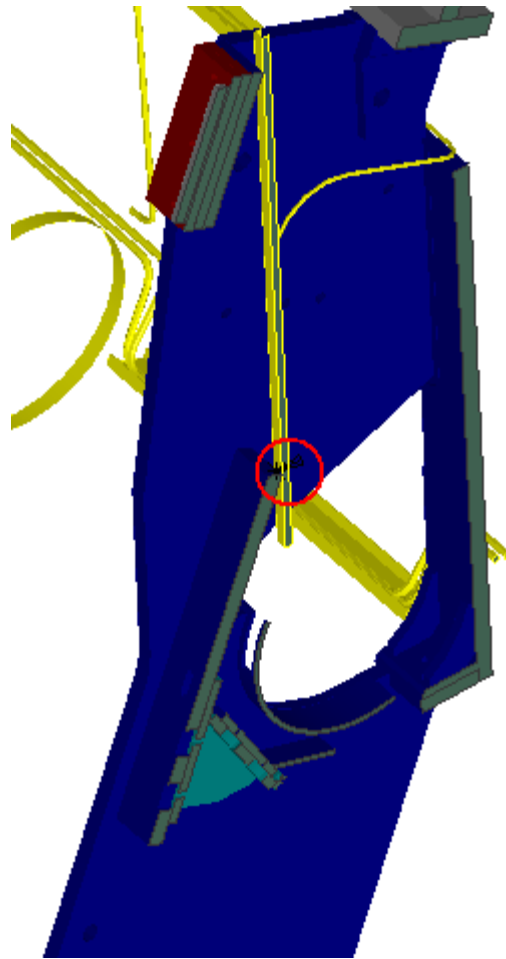
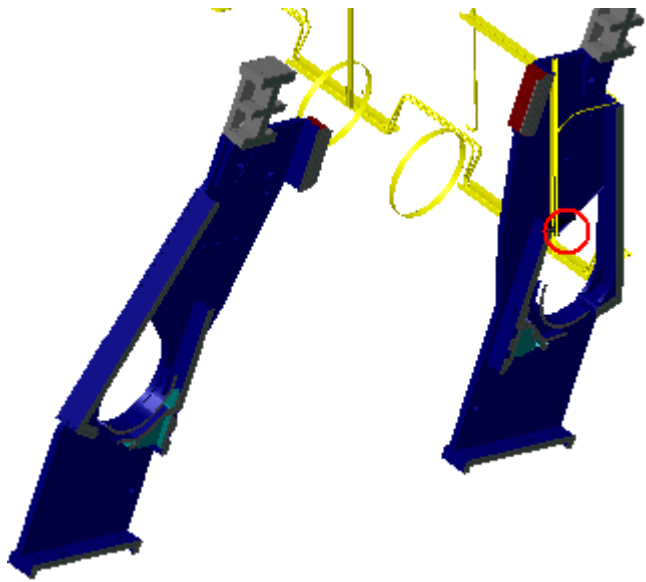


Tomas: Inaccurate
design position of cable
tray

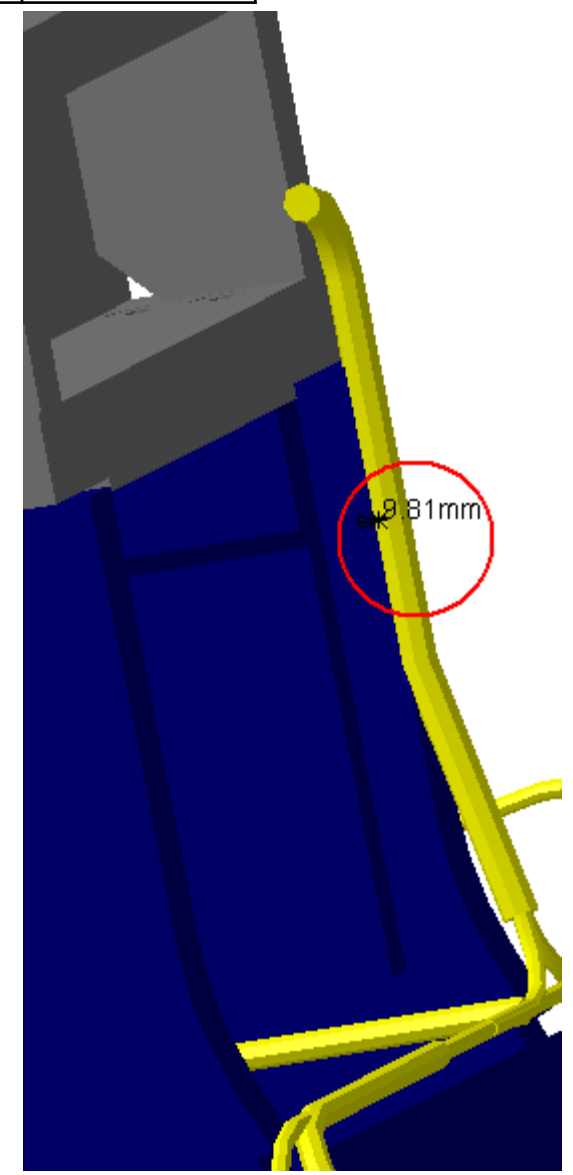
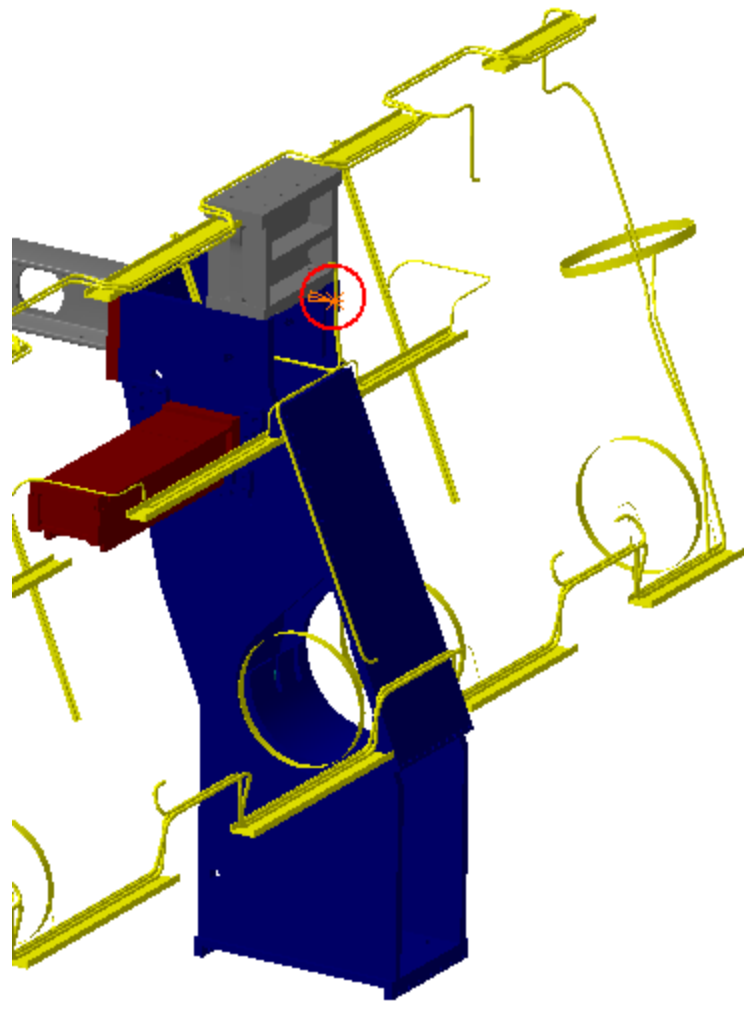
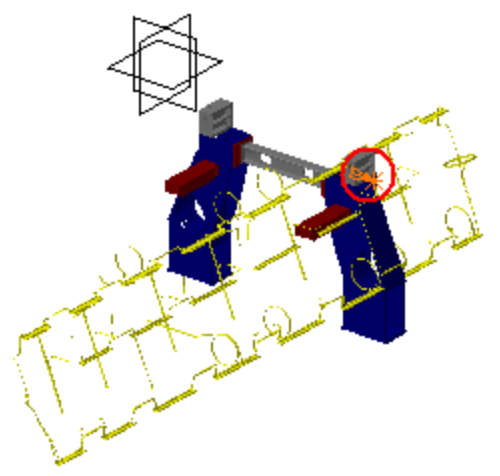
Side A
Sector 12



Clash View 1:



AT112396MQ Heater Cable Distribution in foot Sector 12	ATCVHB_0003 STANDARD PAIR OF FEET A2 (C2) - DETAILED MODEL FOR STANDARDS	Clash	-9.81mm	Not Relevant
---	---	-------	---------	--------------



Tomas/Liudmila:
Cables are flexible
and can be adjusted

Side A
Sector 12

AT112396MQ Heater Cable
Distribution in foot Sector 12

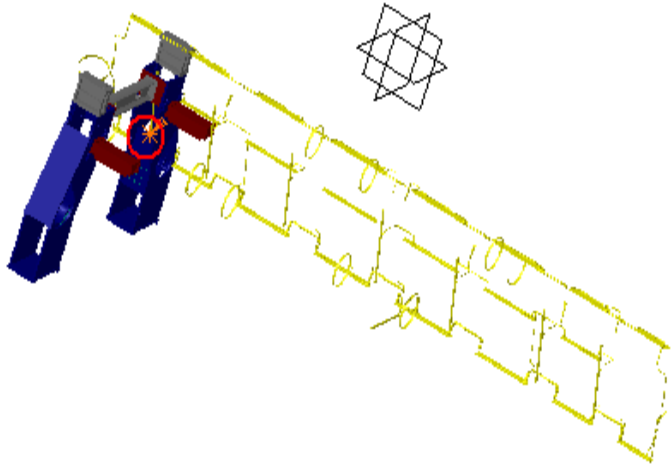
ATCVHB_0004 STANDARD PAIR
OF FEET A3 (C3) - DETAILED
MODEL FOR STANDARDS

Clash

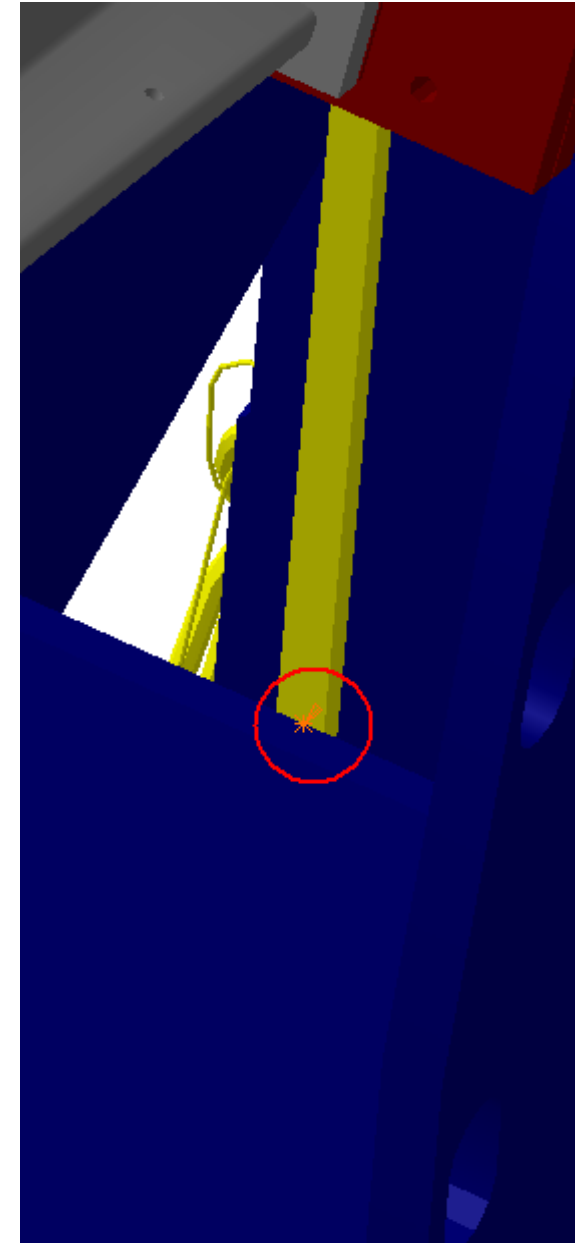
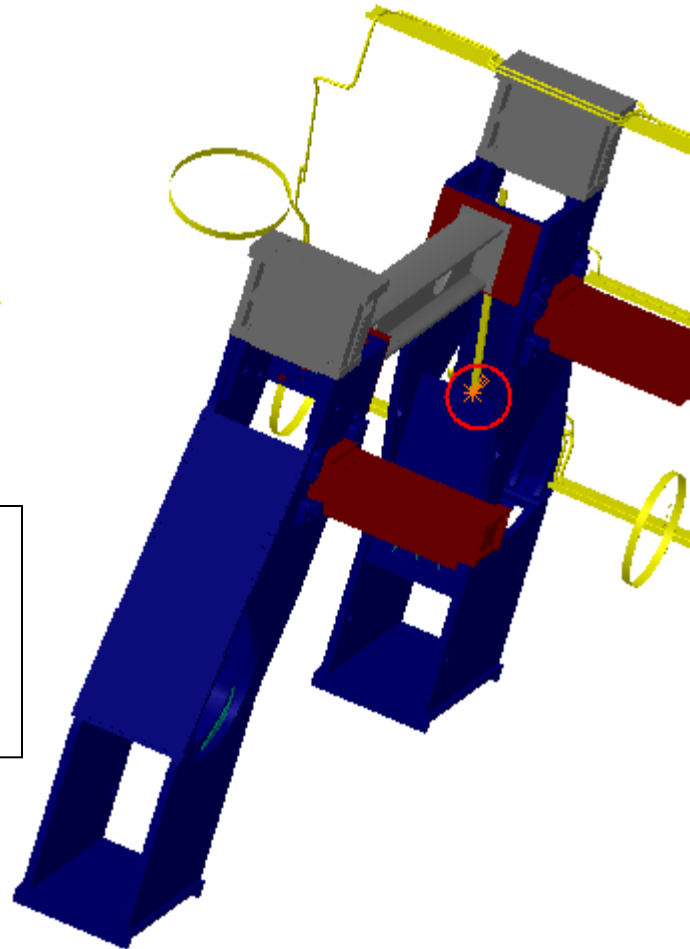
-0.61mm

Relevant

RELEVANT



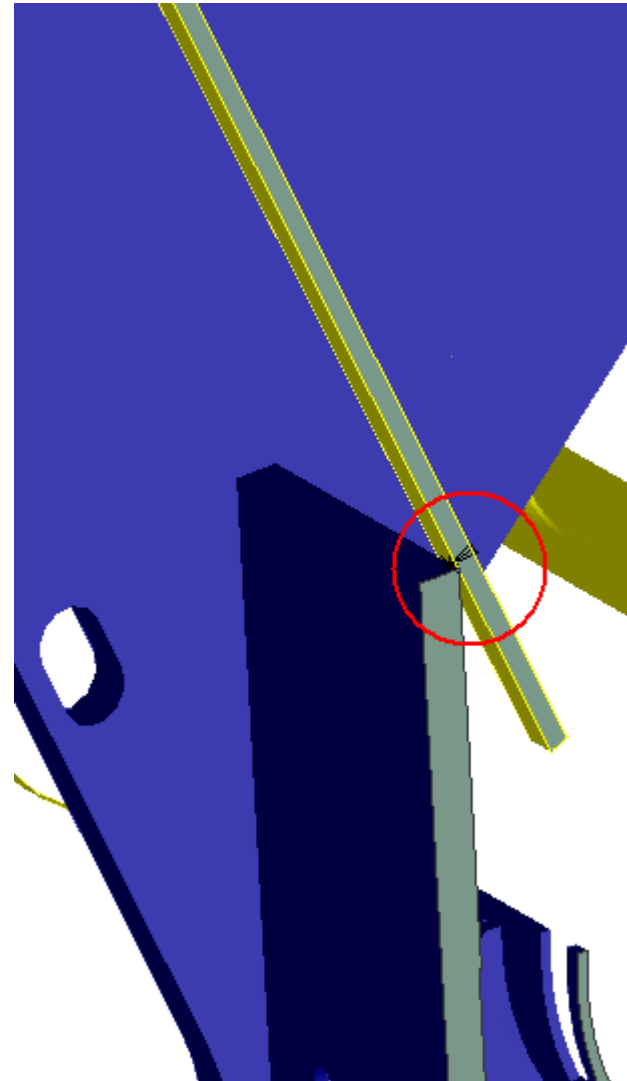
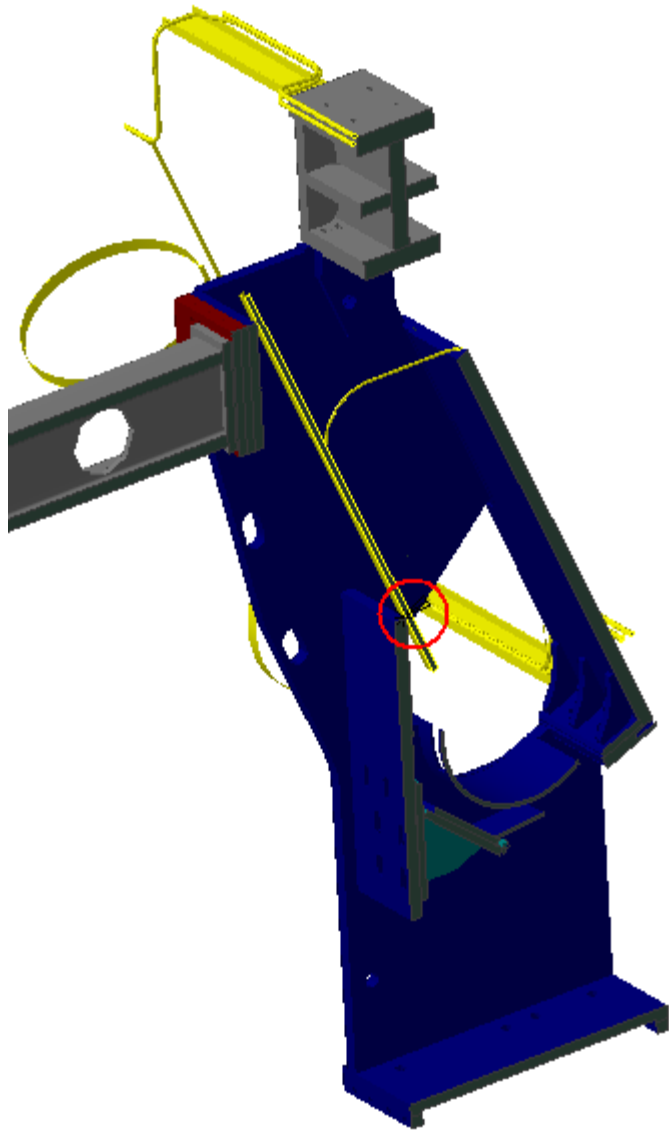
Tomas: Inaccurate
design position of cable
tray



Side C

Sector 12

Clash View 1:



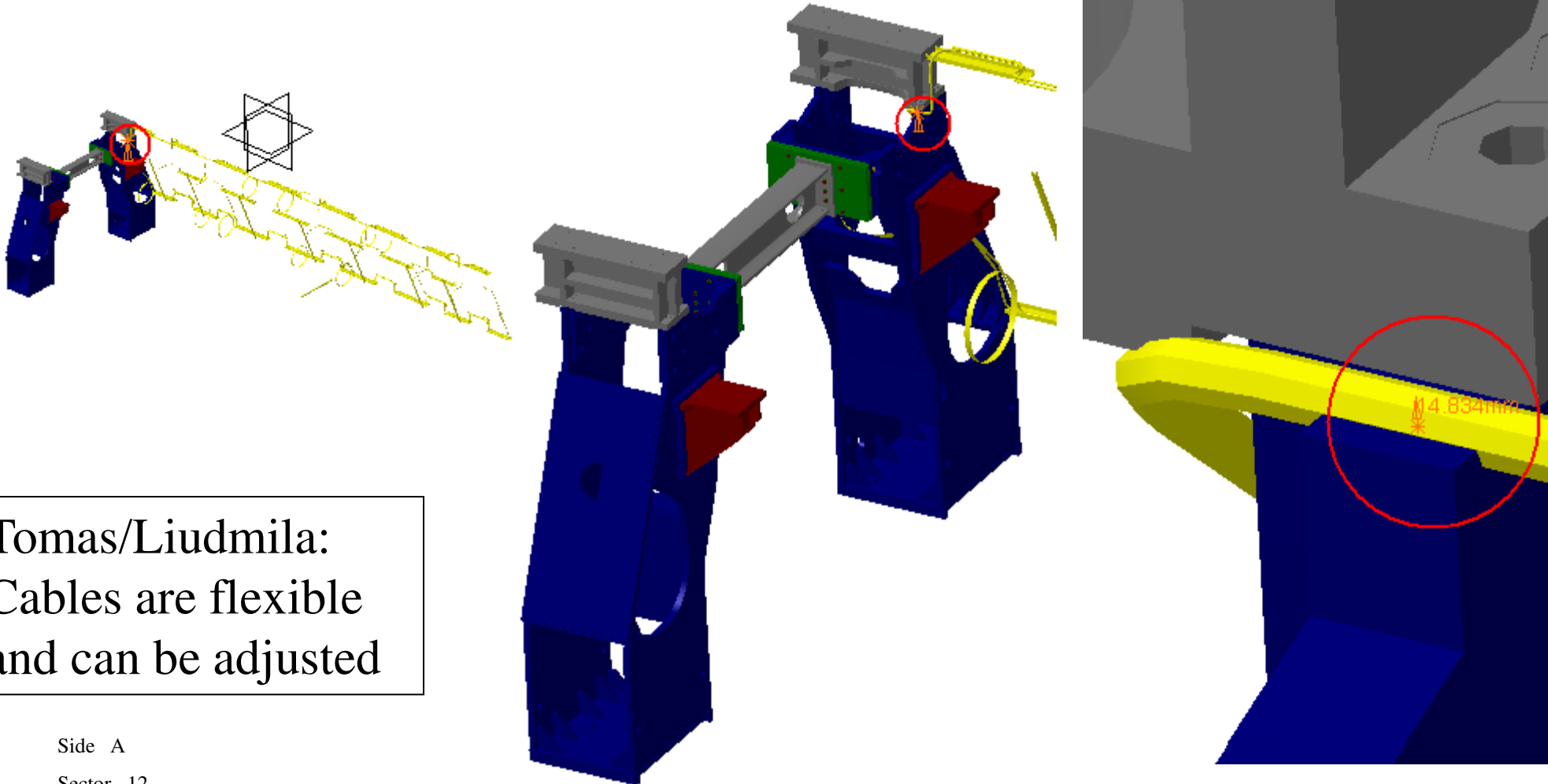
AT112396MQ Heater Cable
Distribution in foot Sector 12

ATCVHB_0005 EXTREMITY PAIR OF
FEET A4 (C4) - DETAILED MODEL
FOR STANDARDS

Clash

-14.83mm

Not Relevant



Tomas/Liudmila:
Cables are flexible
and can be adjusted

Side A

Sector 12

AT112396MQ Heater Cable Distribution
in foot Sector 12

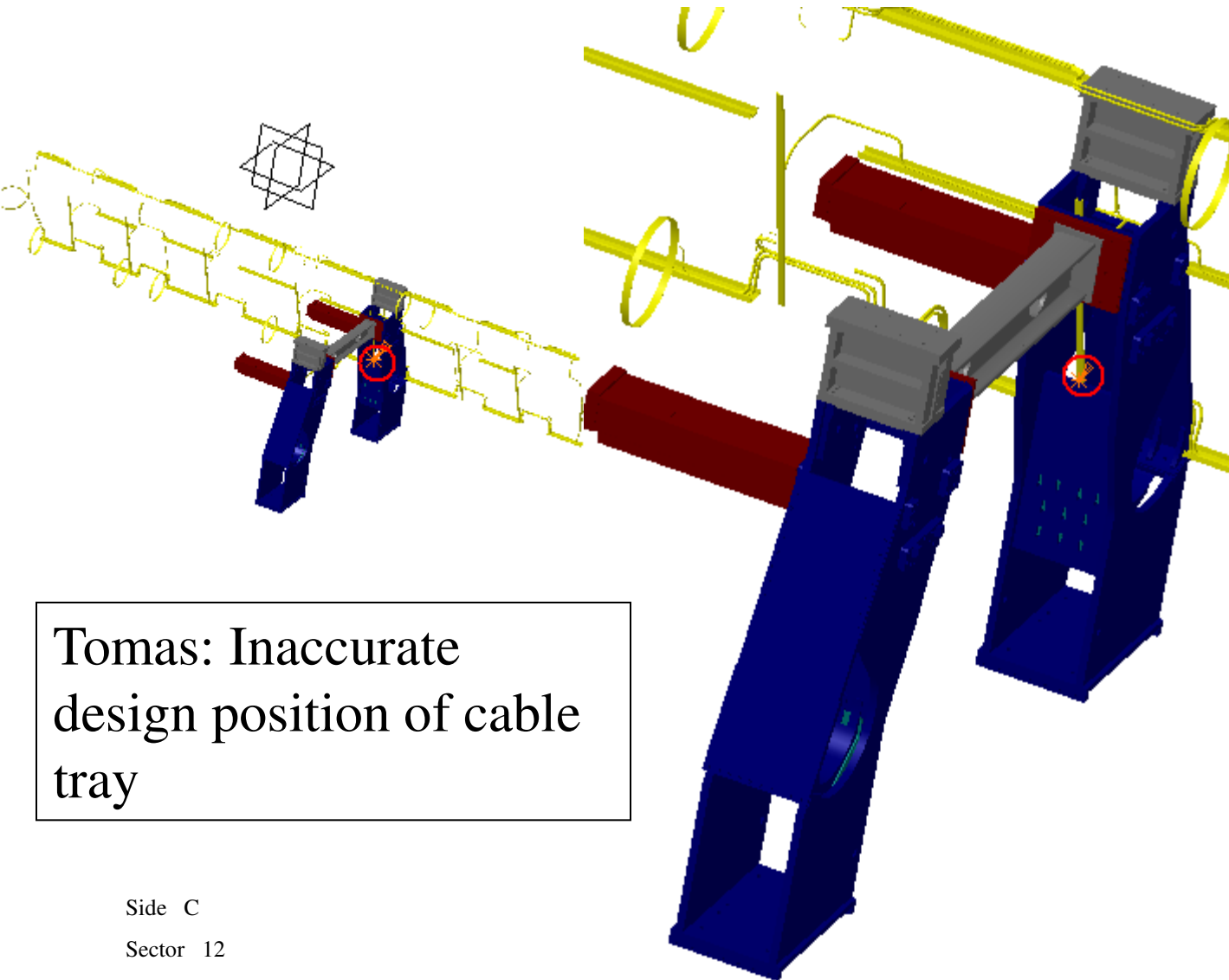
ATCVHB_0002 M STANDARD PAIR OF
FEET A1 (C1) - DETAILED MODEL FOR
STANDARDS

Clash

-0.61mm

Relevant

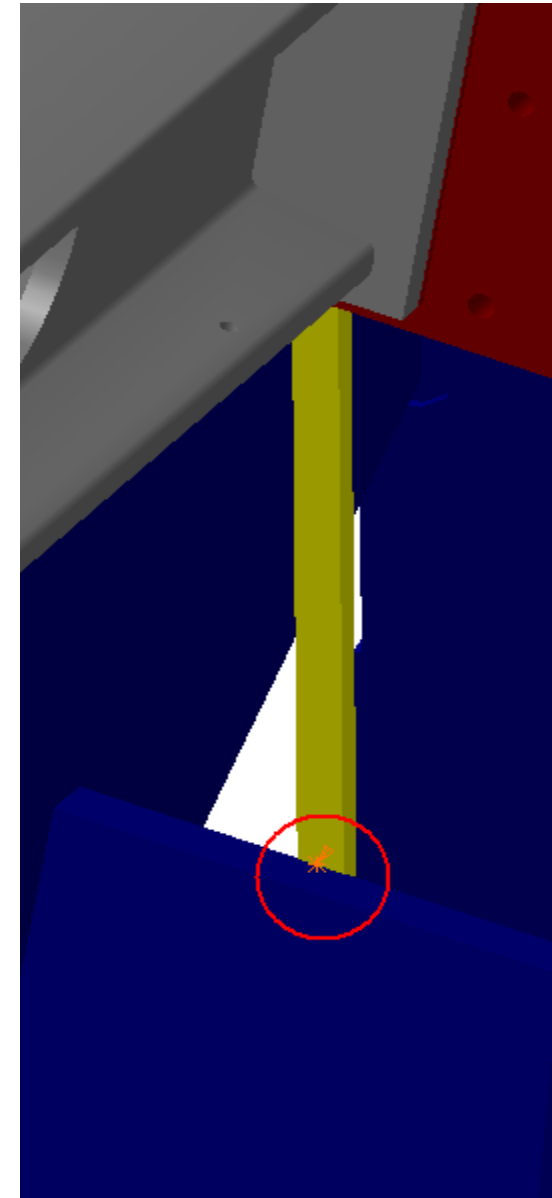
RELEVANT



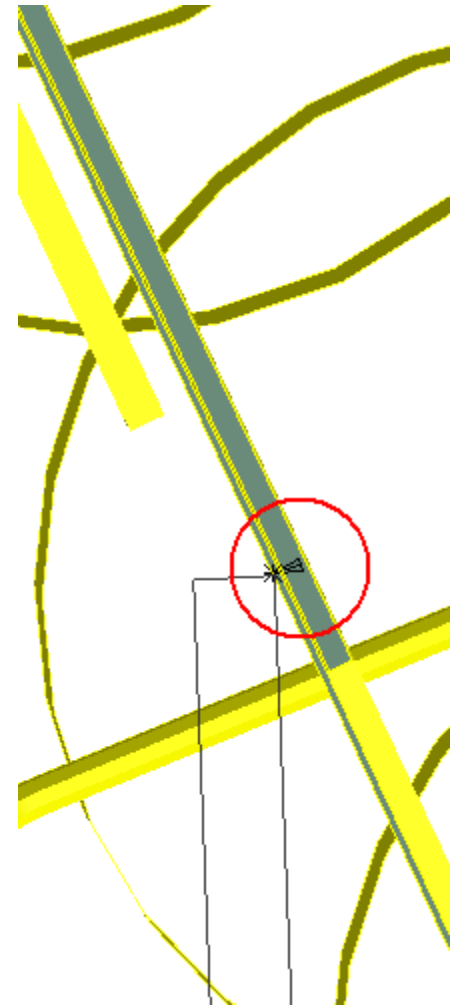
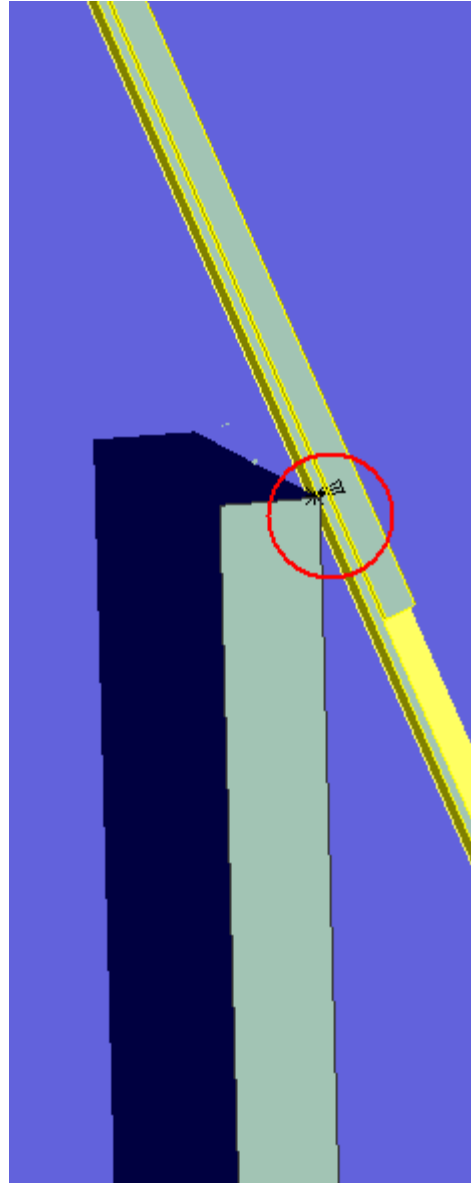
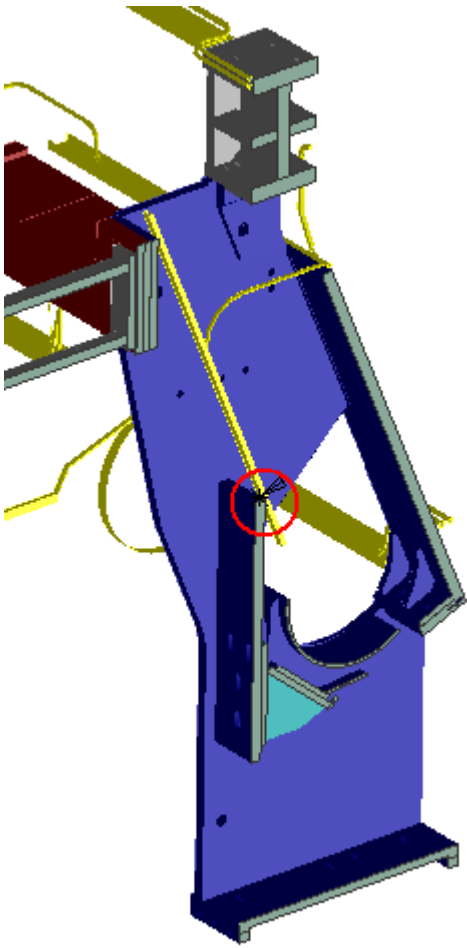
Tomas: Inaccurate
design position of cable
tray

Side C

Sector 12



Clash View 1:



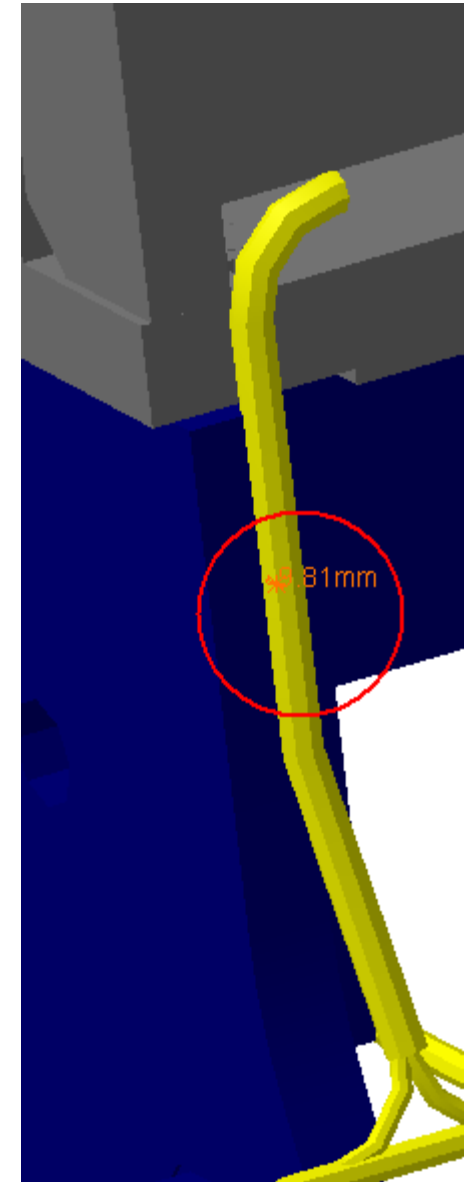
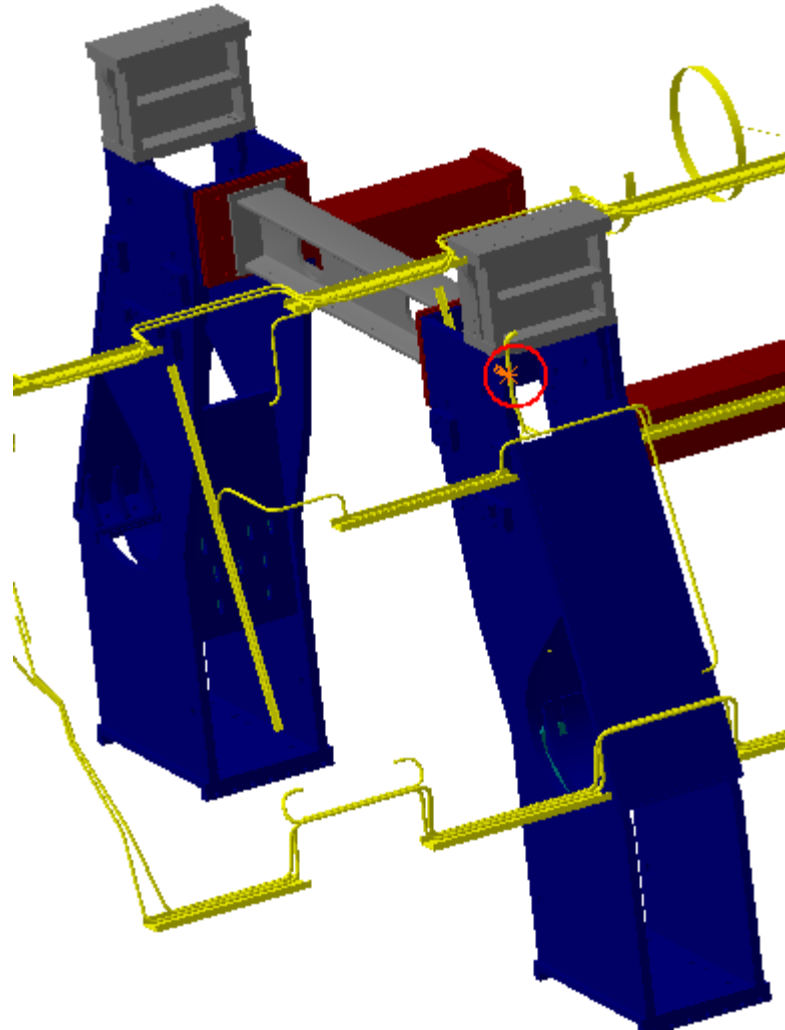
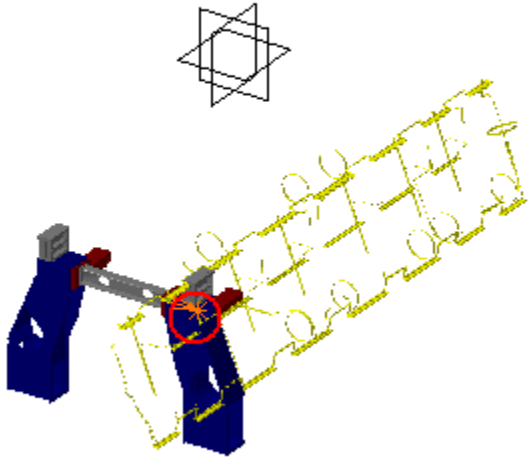
AT112396MQ Heater Cable
Distribution in foot Sector 12

ATCVHB_0003 M STANDARD
PAIR OF FEET A2 (C2) - DETAILED
MODEL FOR STANDARDS

Clash

-9.81mm

Not Relevant



Tomas/Liudmila:
Cables are flexible
and can be adjusted

Side C
Sector 12

AT112396MQ Heater Cable
Distribution in foot Sector 12

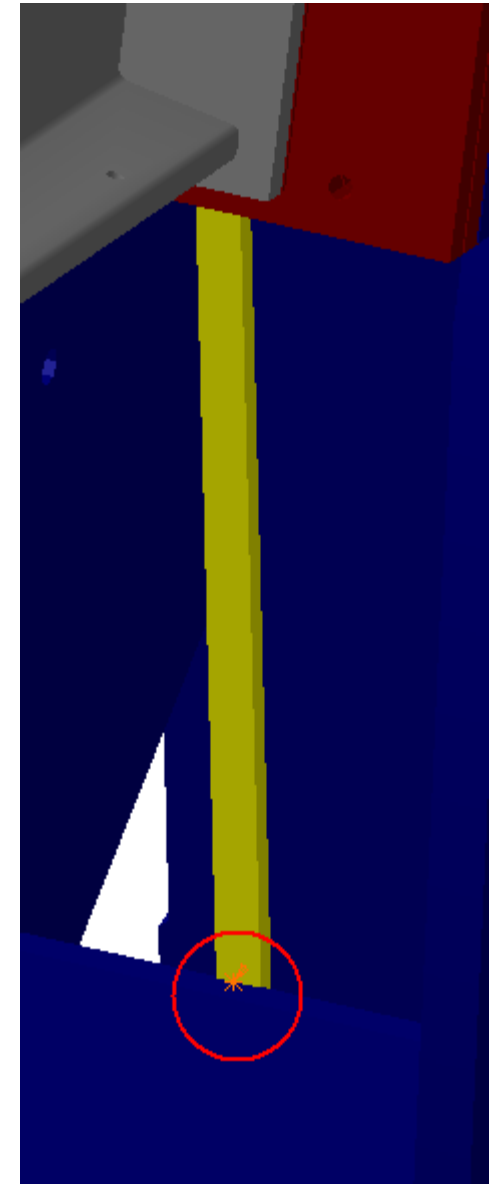
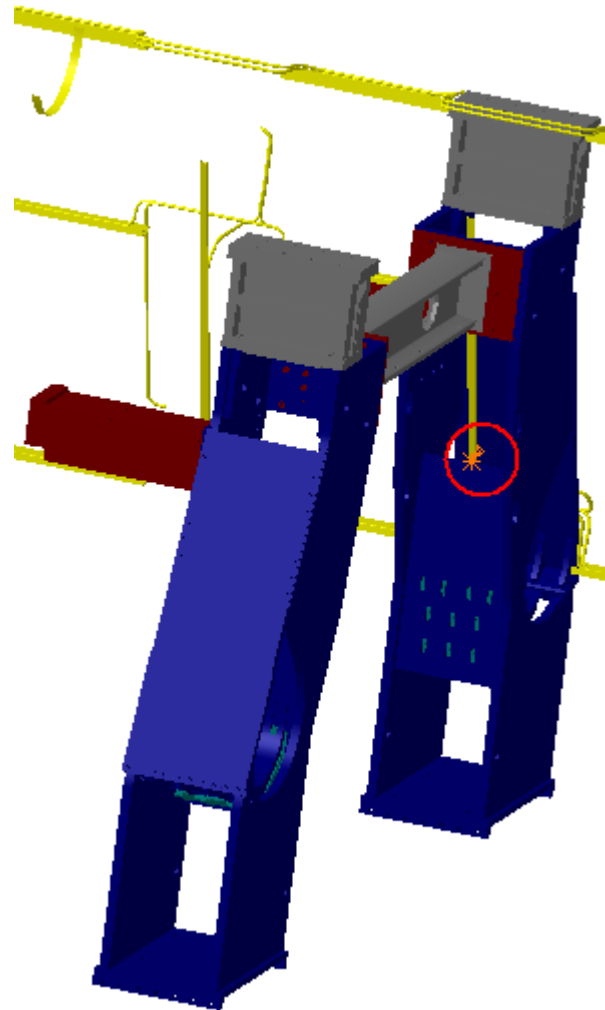
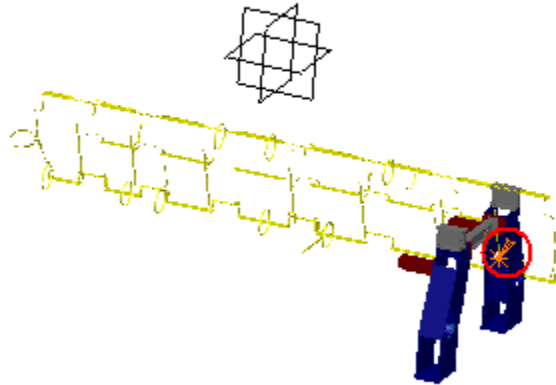
ATCVHB_0004 M STANDARD PAIR OF
FEET A3 (C3) - DETAILED MODEL FOR
STANDARDS

Clash

-0.61mm

Relevant

RELEVANT

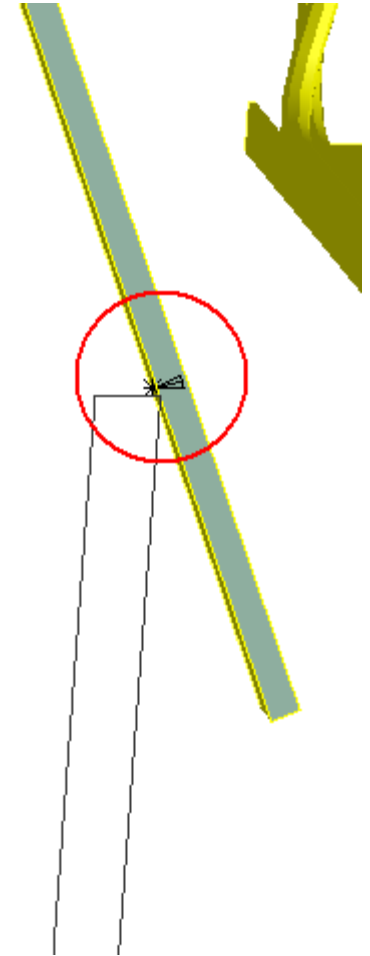
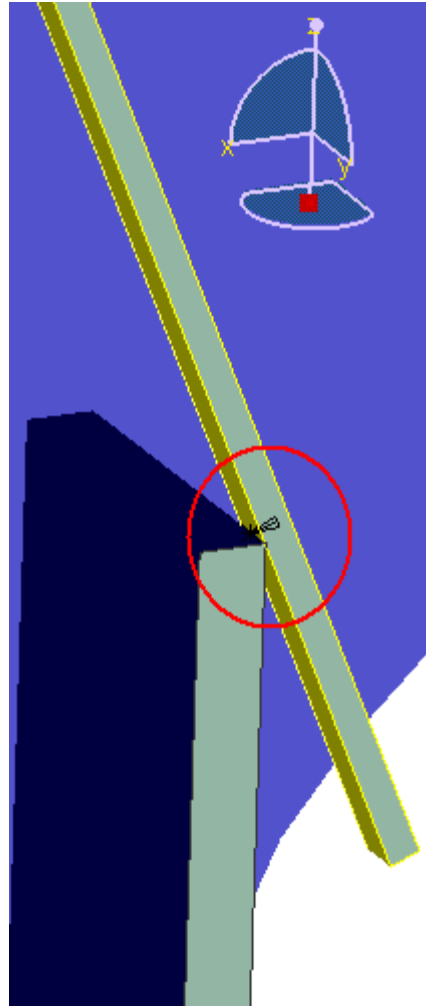
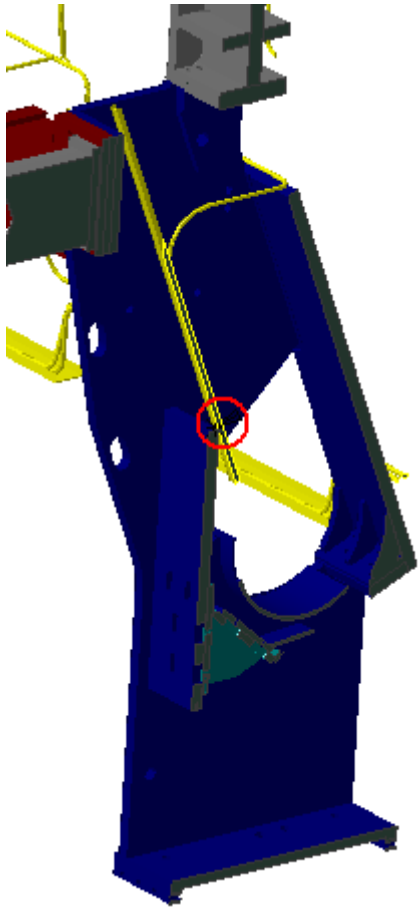


Tomas: Inaccurate
design position of cable
tray

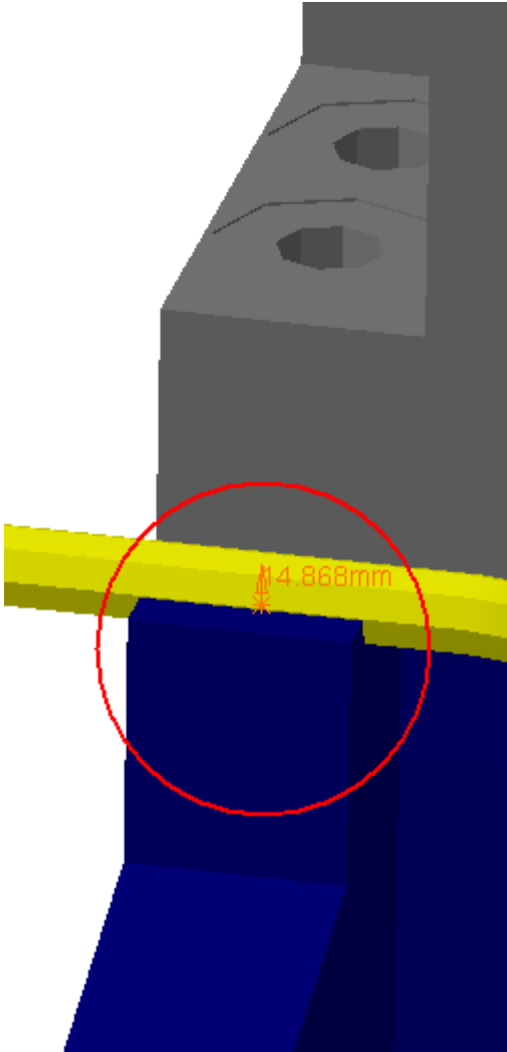
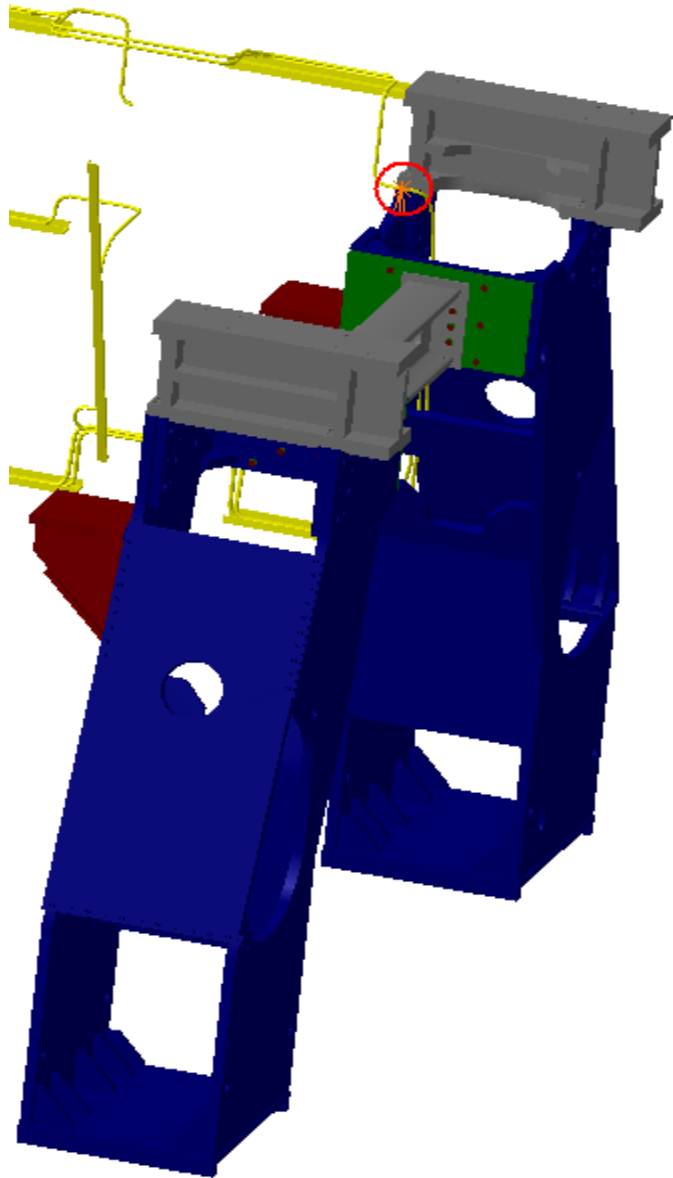
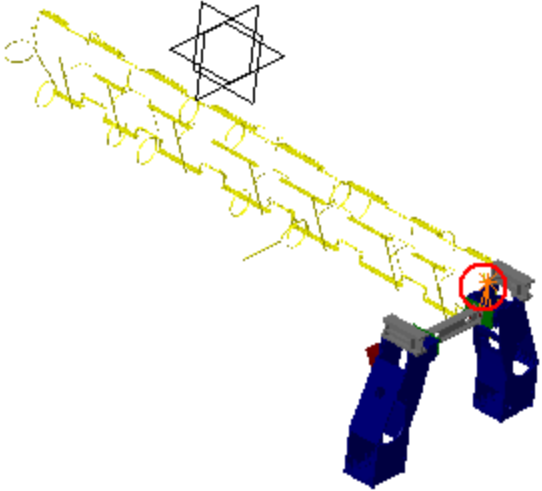
Side C

Sector 12

Clash View 1:



AT112396MQ Heater Cable Distribution in foot Sector 12	ATCVHB_0005 M EXTREMITY PAIR OF FEET A4 (C4) - DETAILED MODEL FOR STANDARDS	Clash	-14.87mm	Not Relevant
---	---	-------	----------	--------------



Tomas/Liudmila:
Cables are flexible
and can be adjusted

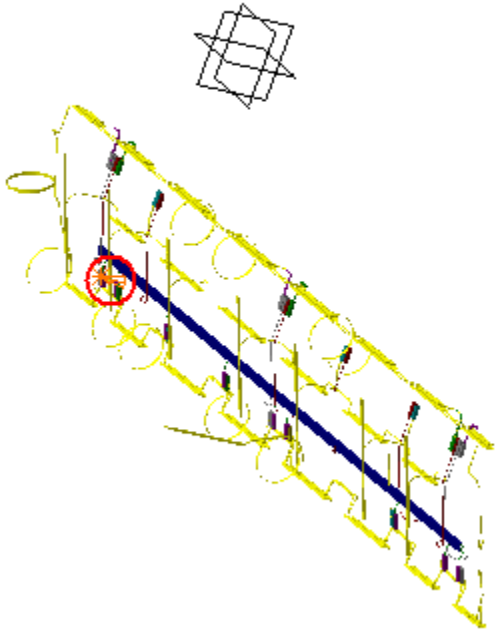
AT112396MQ Heater Cable
Distribution in foot Sector 12

ATCNSM_0015 BT HEATER
BOXES AND CABLES - FOR FOOT
REGION

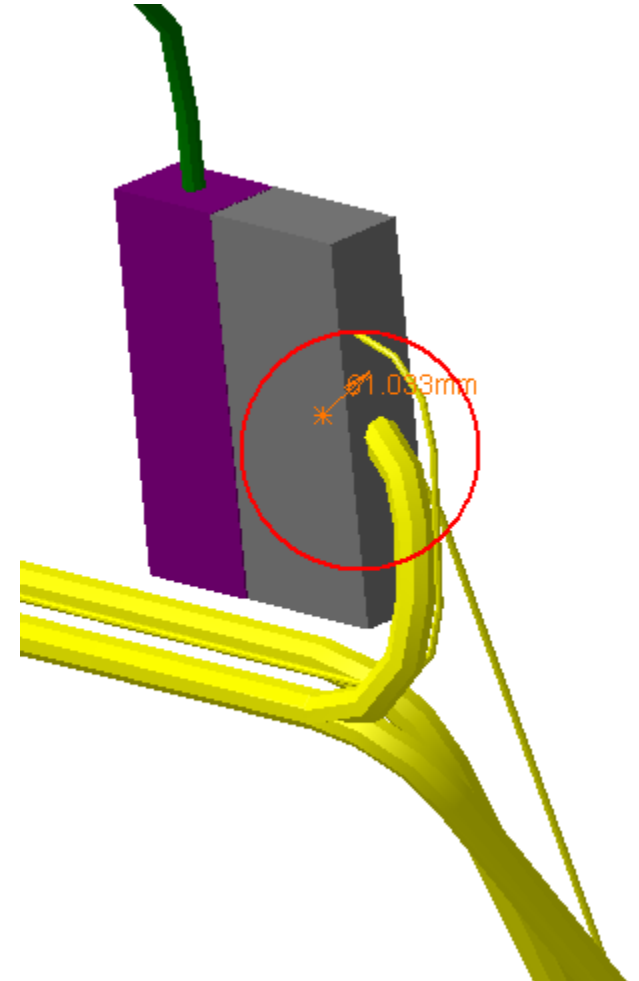
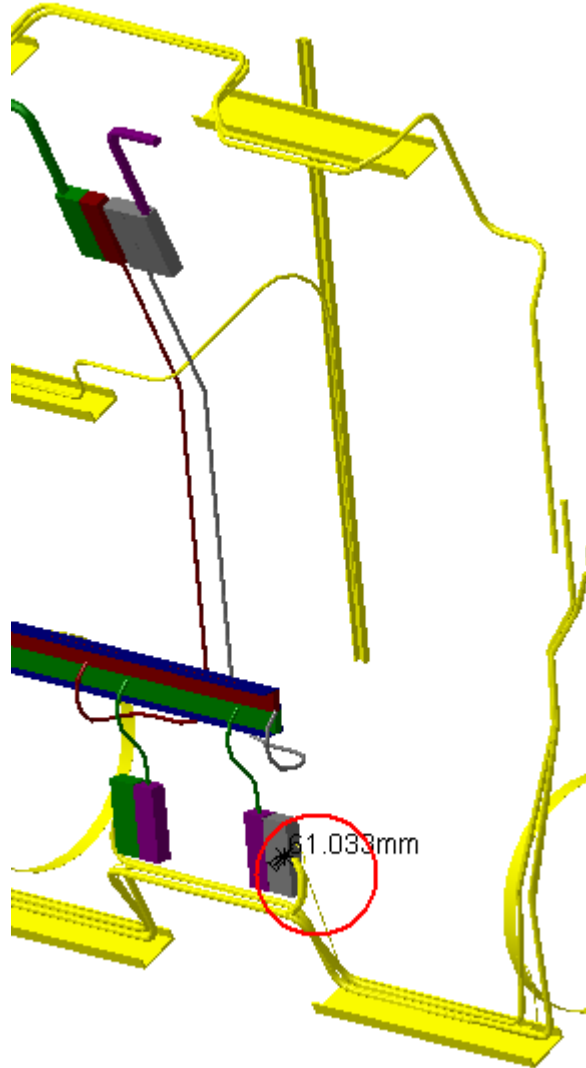
Clash

-61.03mm

Not Relevant



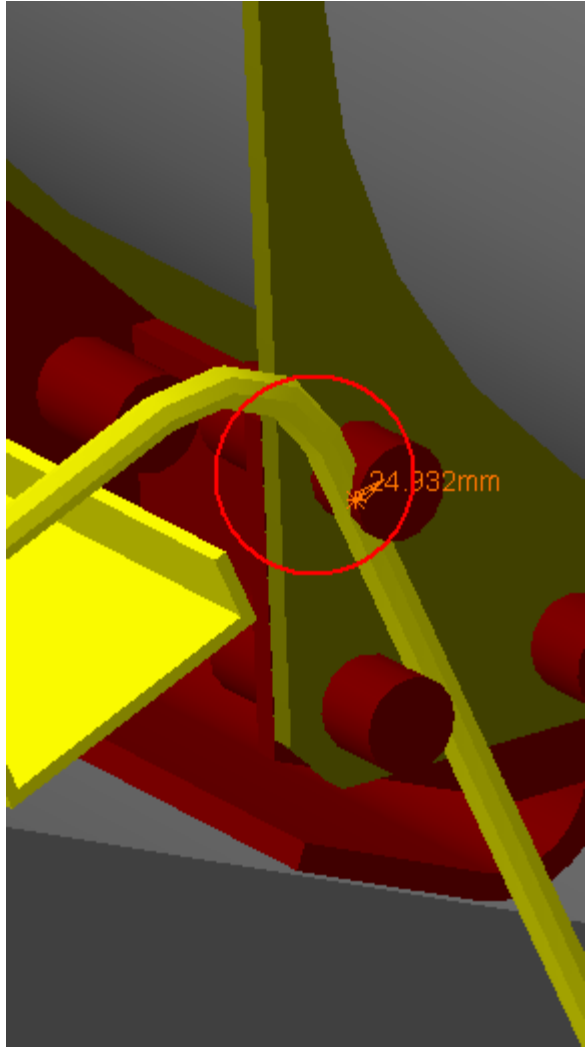
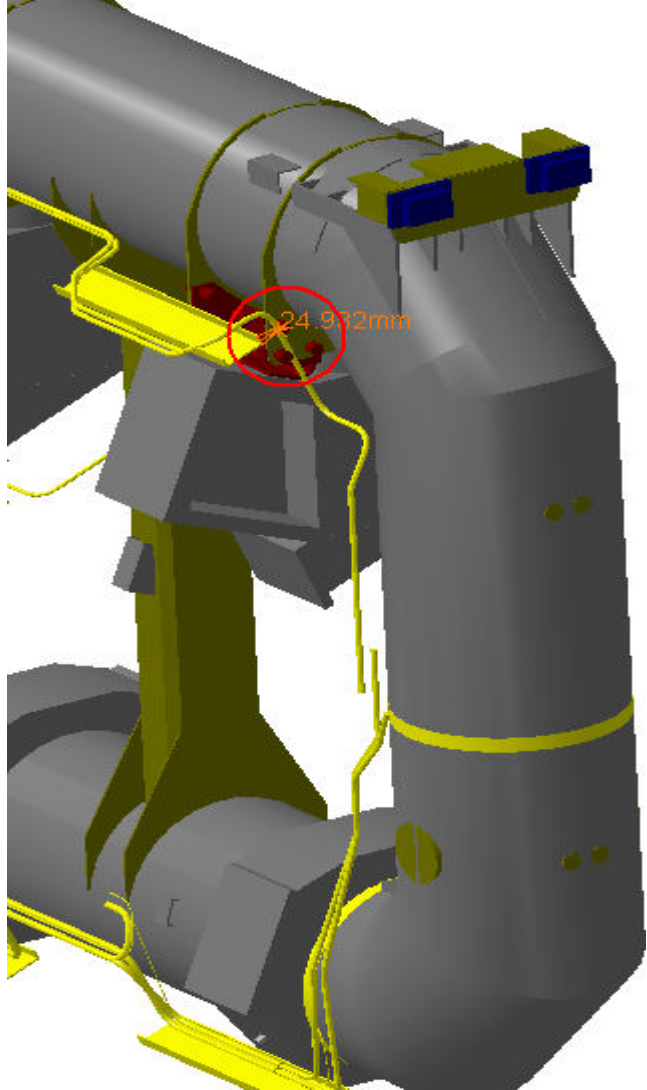
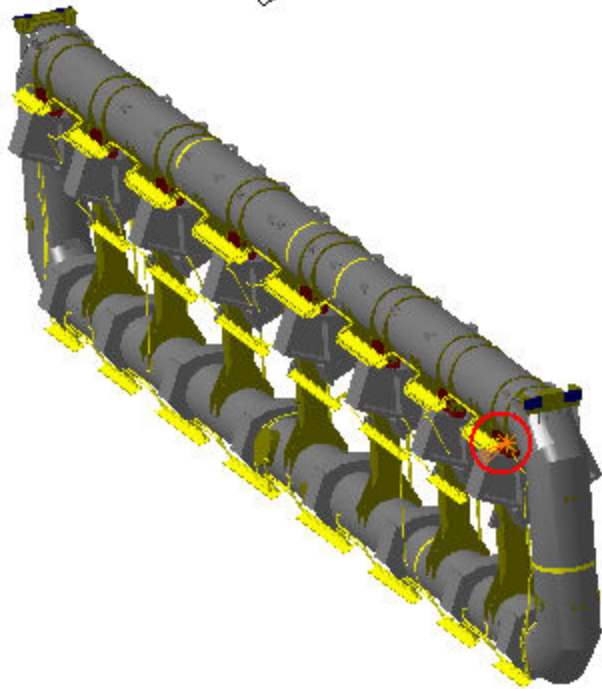
Tomas: It is cable
connection to the BT
Heater boxes



Side A

Sector 12

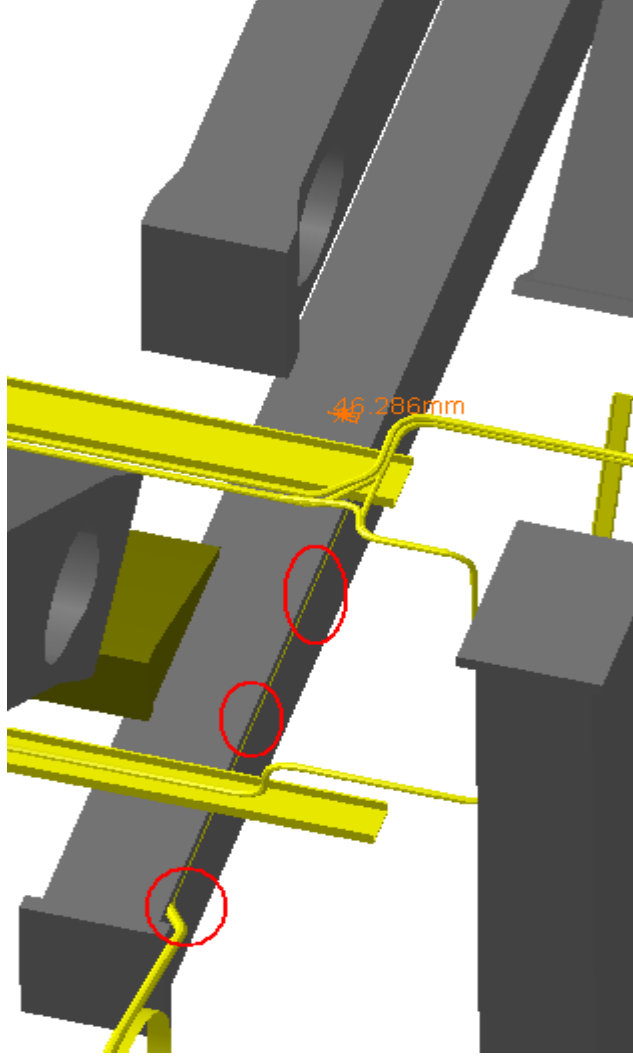
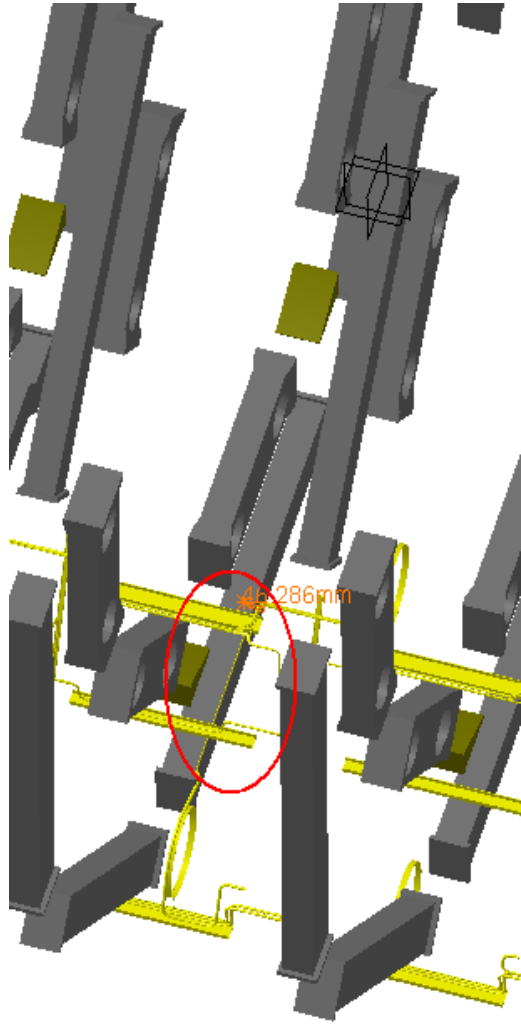
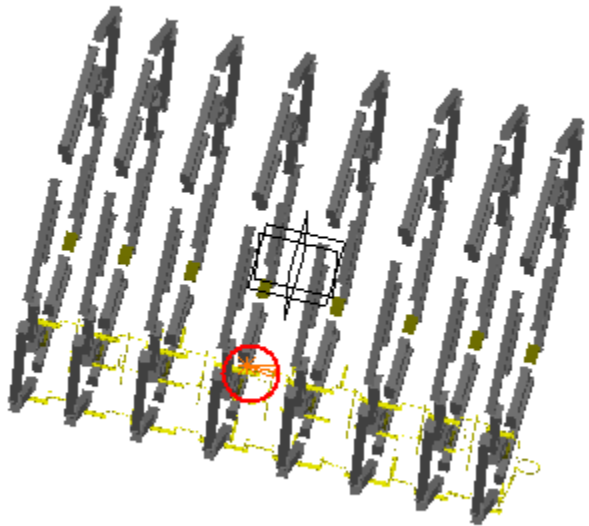
AT112396MQ Heater Cable Distribution in foot Sector 12	ATCNTB_0002 TB FEET COIL - SECTOR 12	Clash	-24.93mm	Not Relevant
---	---	-------	----------	--------------



Tomas/Liudmila:
Cables are flexible
and can be adjusted

Side C
Sector 12

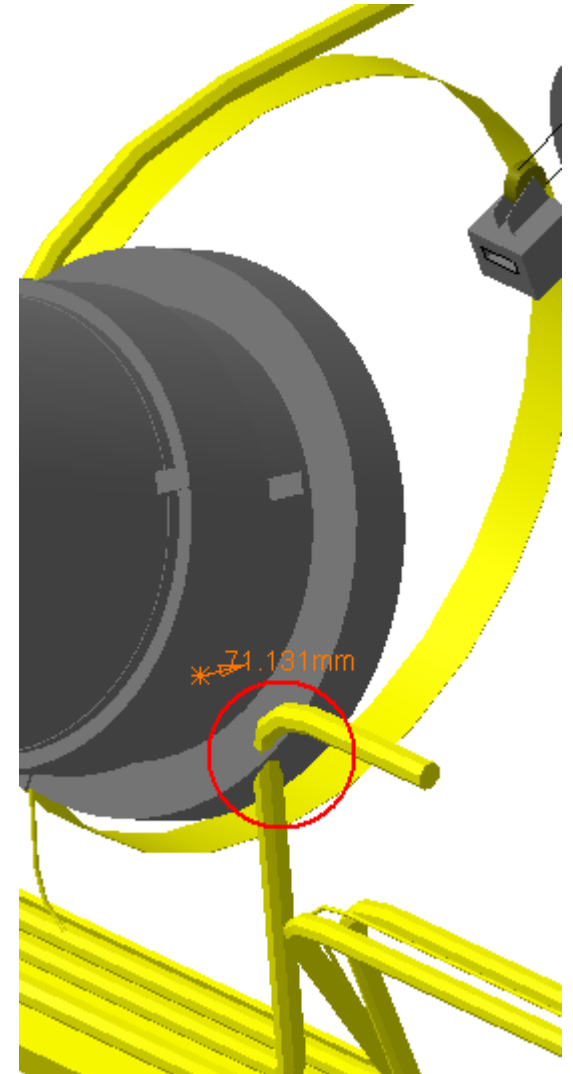
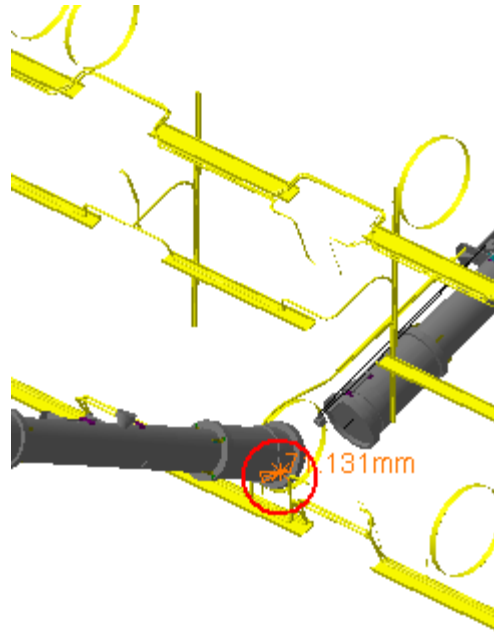
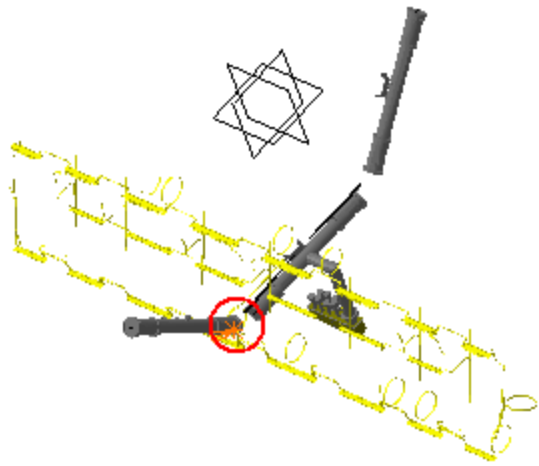
AT112396MQ Heater Cable Distribution in foot Sector 12	ATCNTB_0003 TB WARM STRUCTURE - SIMPLIFIED 3-D OBJECT	Clash	-46.29mm	Not Relevant
---	---	-------	----------	--------------



Tomas: using
simplified 3D object !

Side A
Sector 12

AT112396MQ Heater Cable Distribution in foot Sector 12	ATCNTB_0004 TB CRYORING BOTTOM SECTORS - (11, 13, 15)	Clash	-71.13mm	Not Relevant
---	--	-------	----------	--------------



Tomas/Liudmila:
Cables are flexible
and can be adjusted

Side A
Sector 12