

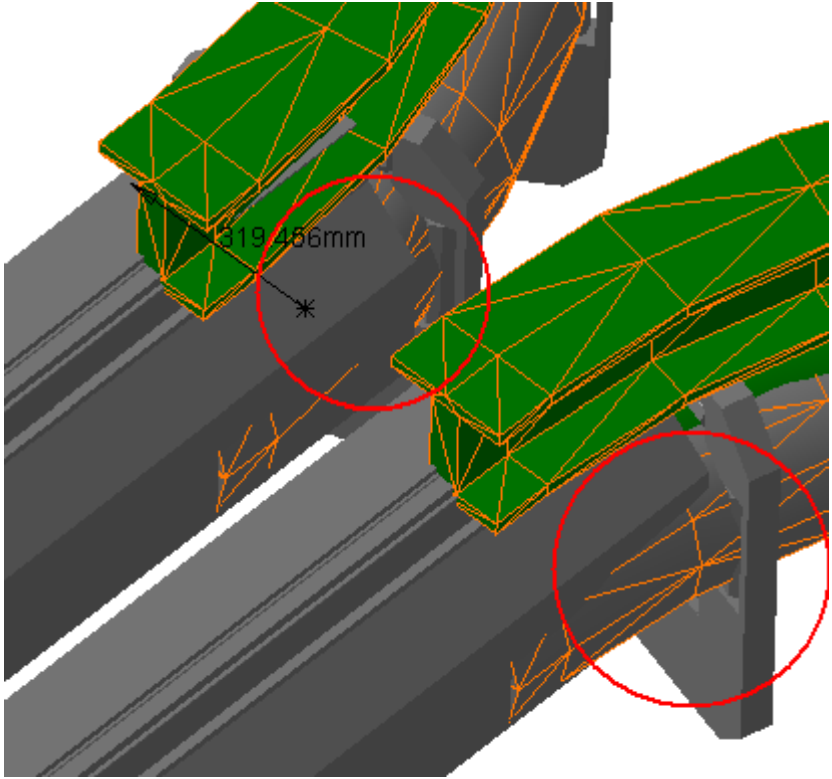
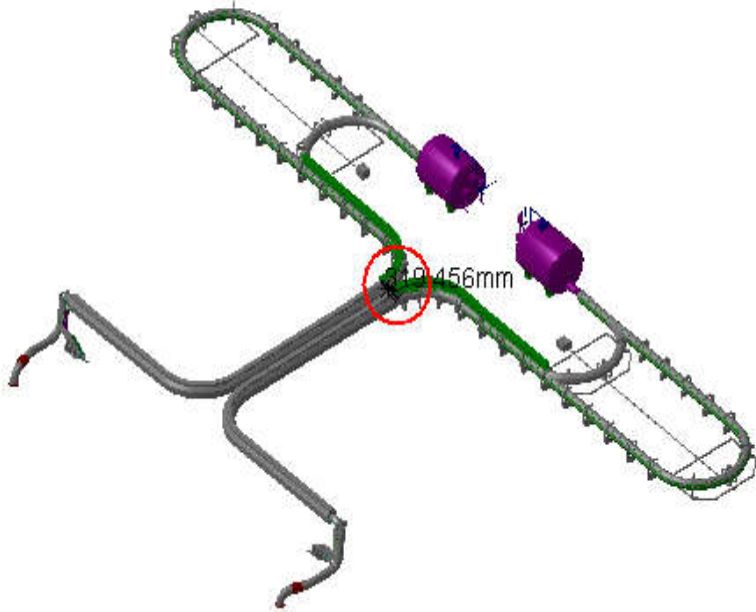
Clash Publish



Clash Computation Specification				
Products Selected				
AT732244 Safety Pipe for LAR (Run) Side A,C	ATCNFX__0006	AR ENDCAP EXPANSION VESSEL - AND TRANSFER LINES FOR ... STANDARD	-319.46	Not inspected
	ATCNFH__0008	HS METALLIC STRUCTURE - SIDE USA15 - UPPER PART	-29.9	Not inspected
	ATCNMA__0013	SECTOR 06 SIDE C (A) - REFERENCE ALIGNMENT SYSTEM AND	-64.85	Not inspected
	ATCNSE__0001	SECTOR 14 SIDE C (A) - REFERENCE ALIGNMENT SYSTEM AND UNDER CONSTRUCTION		

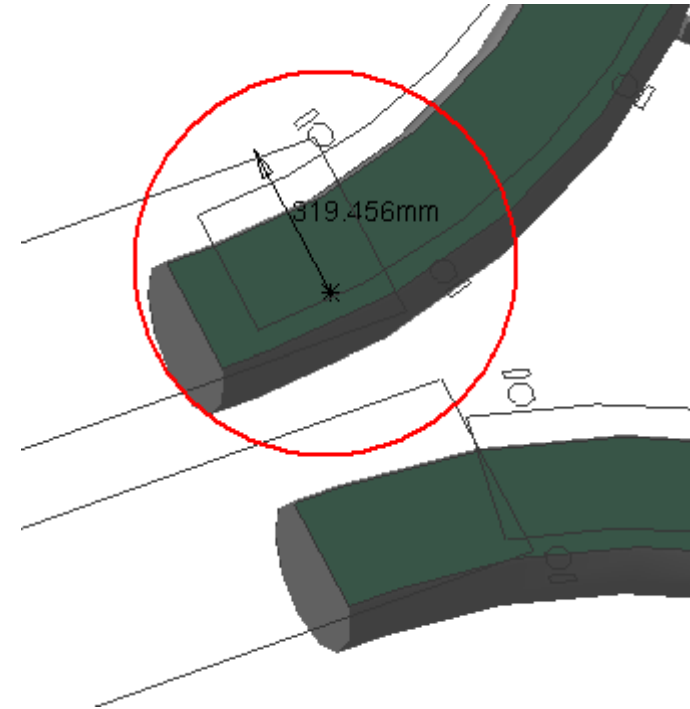
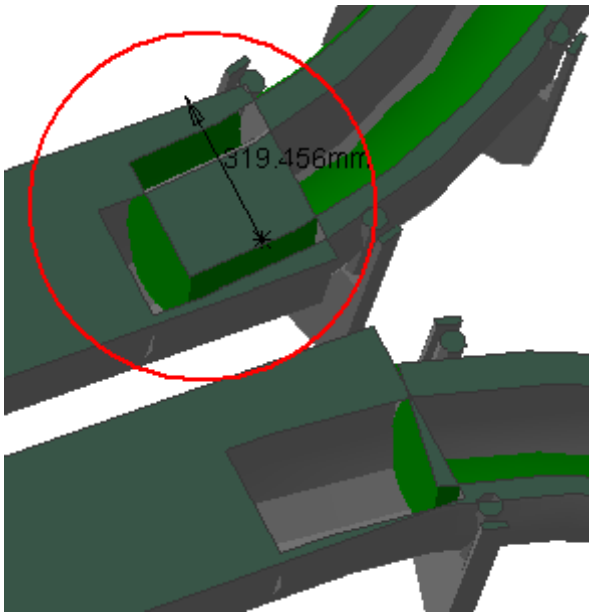
Computation Result:

AT732244 BML Alignment Transfer Frames sector 7	ATCNFX_0006 AR ENDCAP EXPANSION VESSEL - AND TRANSFER LINES FOR ... STANDARD	Clash	-319.46	Not inspected
--	--	-------	---------	---------------

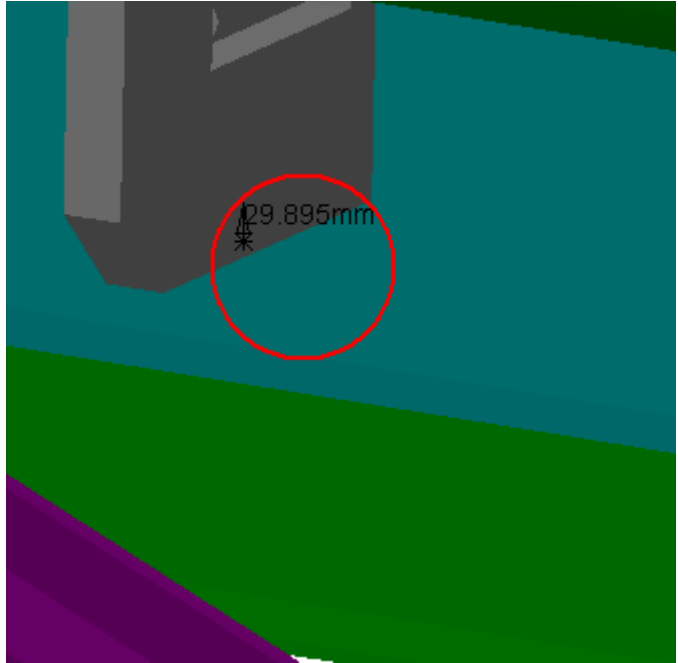
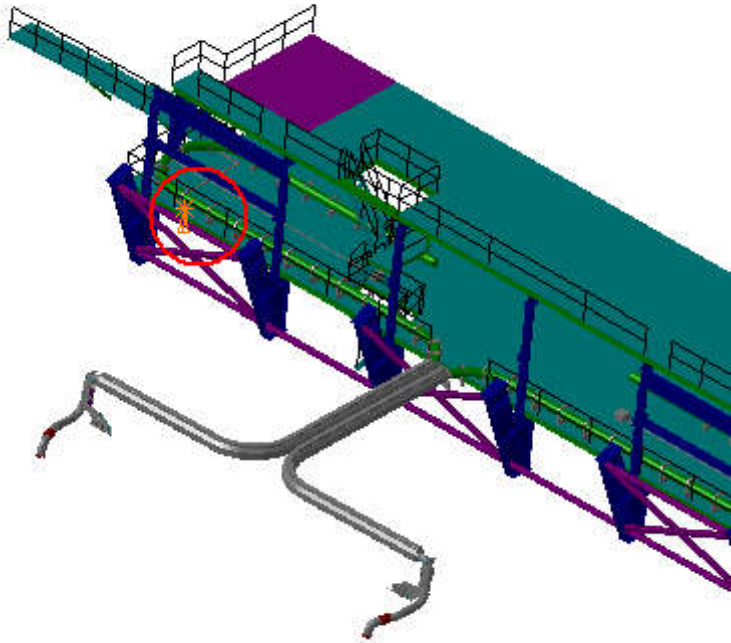


Side A
Sector 7

Clash View 1:

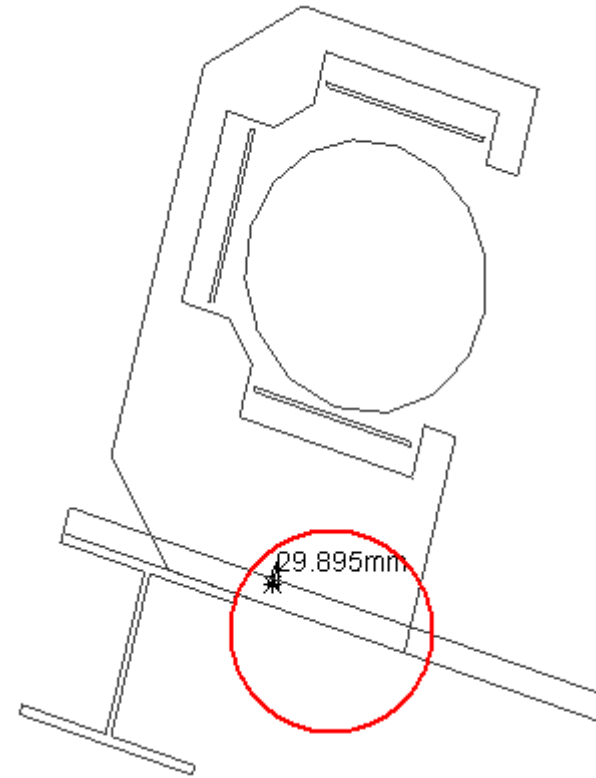
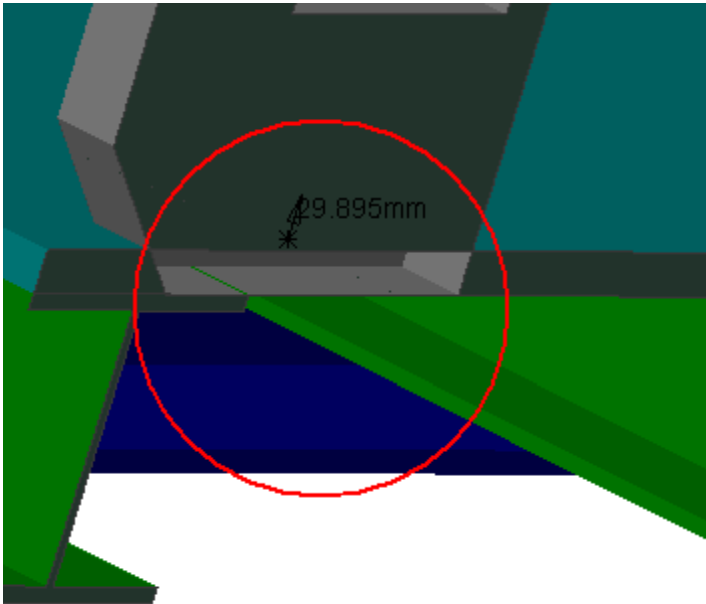


AT732244 BML Alignment Transfer Frames sector 7	ATCNFH_0008 HS METALLIC STRUCTURE - SIDE USA15 - UPPER PART	Clash	-29.9mm	Not inspected
--	---	-------	---------	---------------

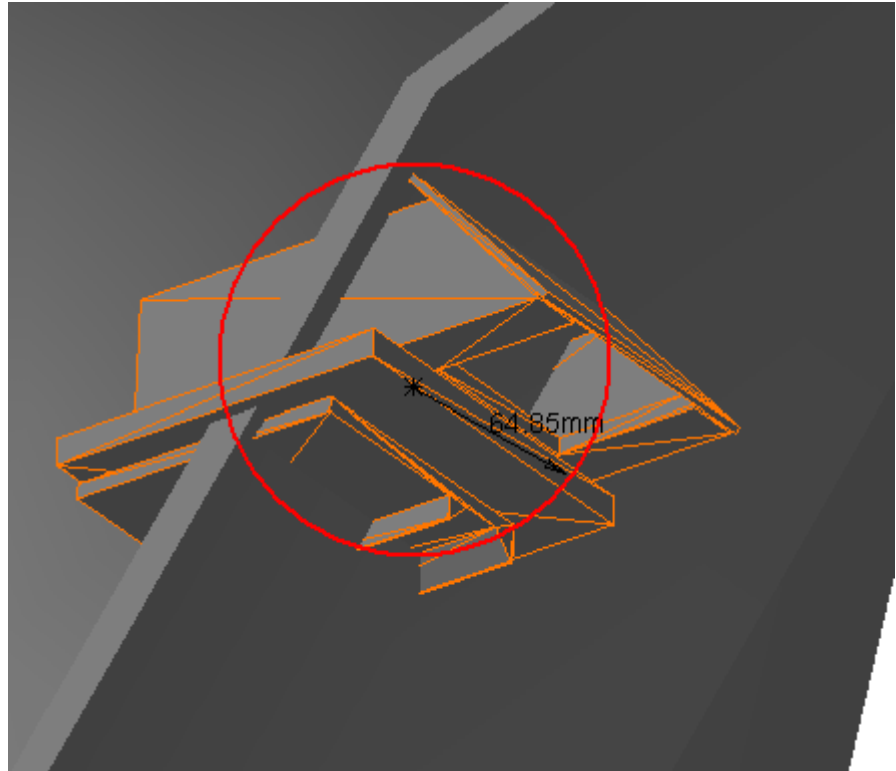
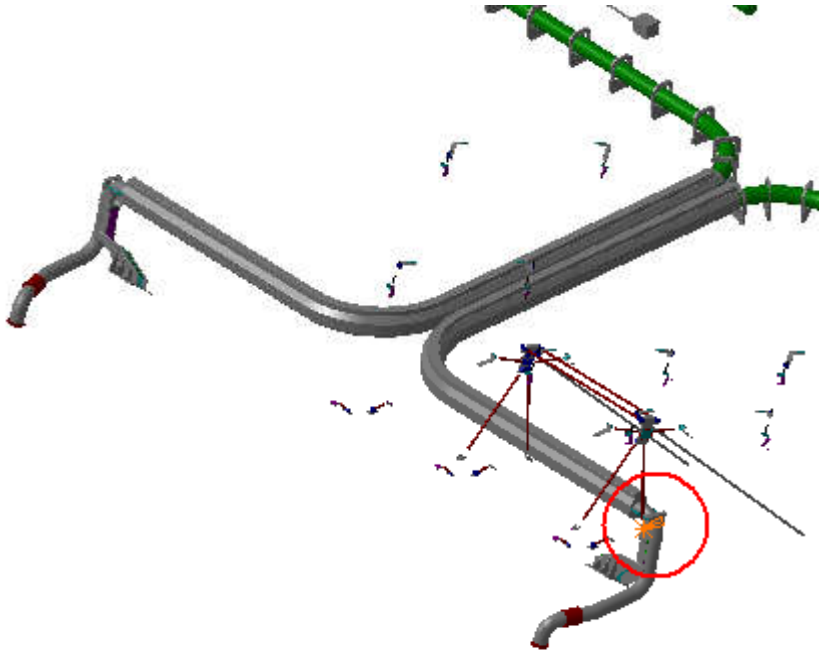


Side A
Sector 7

Clash View 1:



AT732244 BML Alignment Transfer Frames sector 7	ATCNMA_0013 SECTOR 06 SIDE C (A) - REFERENCE ALIGNMENT SYSTEM AND	Clash	-64.85mm	Not inspected
--	---	-------	----------	---------------



Side C
Sector 7

Clash View 1:

